
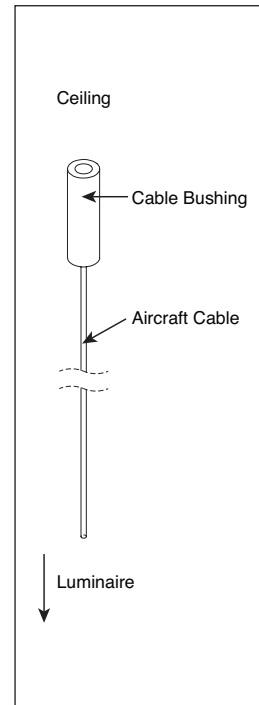


HP-2 Direct Starter/Independent Installation Instructions

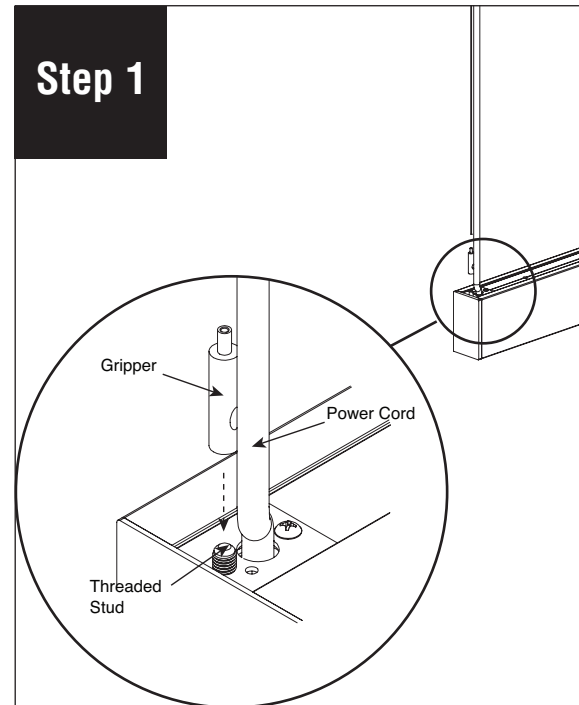
Scan QR code for helpful video(s)



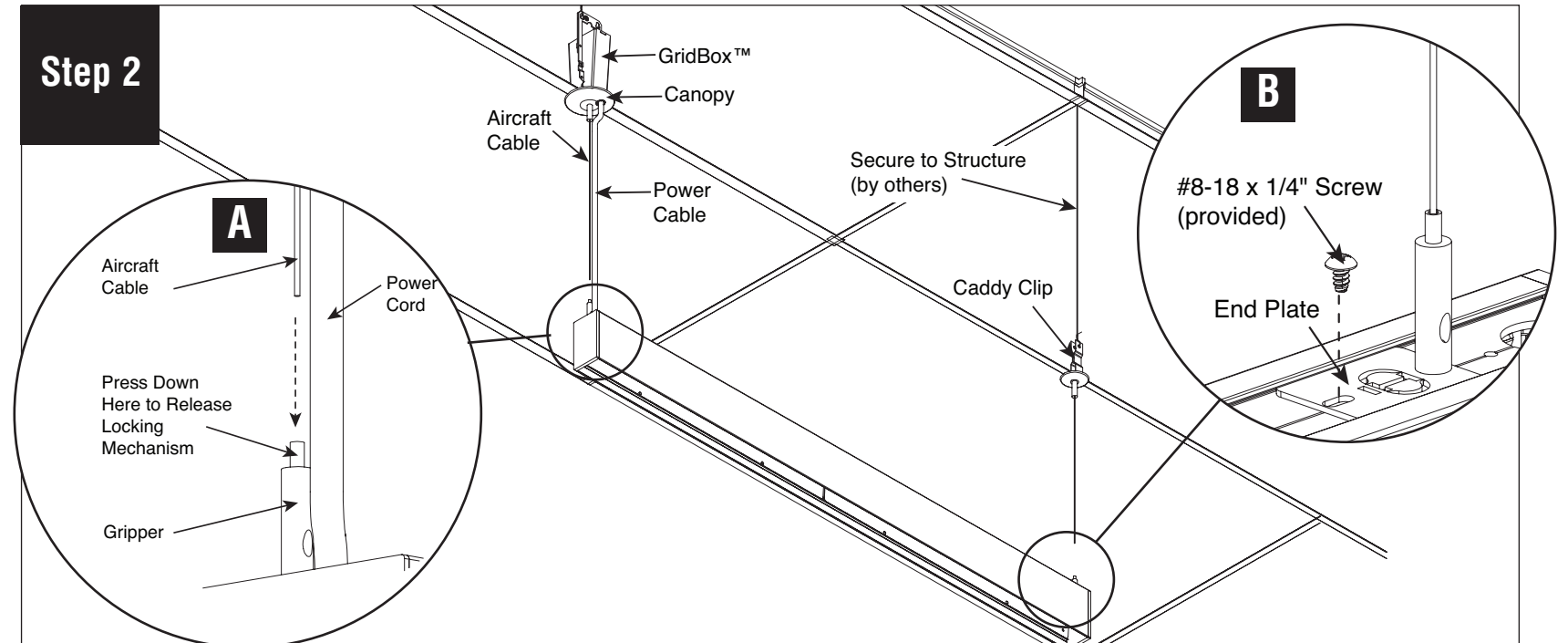
0 - 10V Dimming



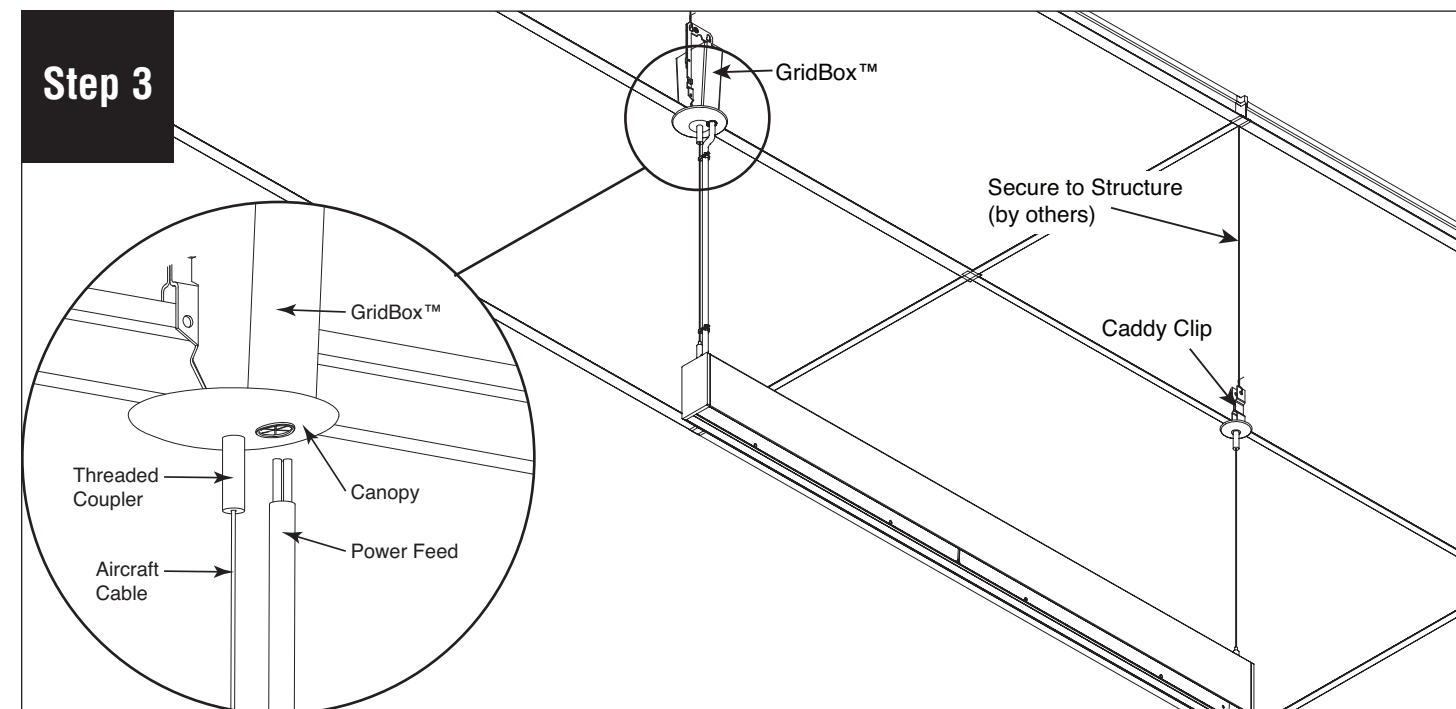
Locate aircraft cables.



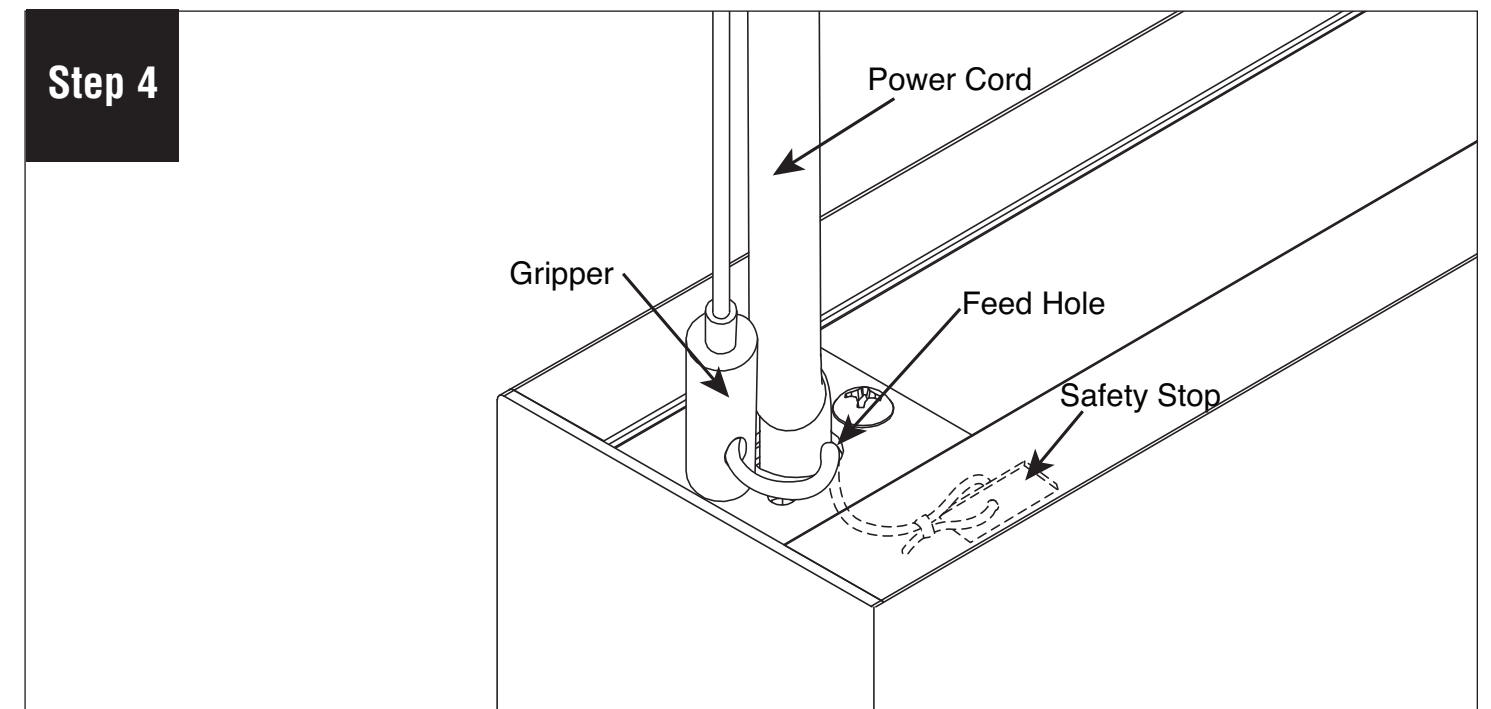
Install grippers onto threaded studs on both ends of the luminaire.



Install GridBox™ and caddy clip onto ceiling grid, then canopies and aircraft cable assemblies. **A.** Align aircraft cables to grippers and insert on both ends of the luminaire. Adjust pendant to proper height and level. Press down on top of gripper to release locking mechanism if needed. Secure luminaire to structure using tie-wire (by others) according to code. **B.** End plates are adjustable for custom mounting locations. Remove #8-18 x 1/4" screw (provided) from end plate, then slide end plate to desired location and reinstall #8-18 x 1/4" screw.



Install power cable through canopy and into GridBox™. Make electrical connections in GridBox.




Slide safety stop and safety crimp up to the aircraft cable within 9" of cable gripper. Trim excess cable and insert safety bar assembly through feed hole. Turn power on to luminaire.

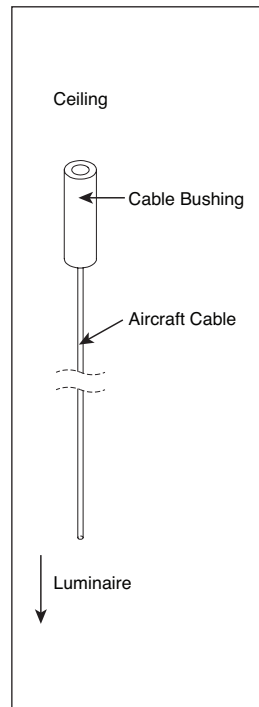
Note: All power connections to be installed to local/national codes by a Certified Electrician.

HP-2 Direct Joiner/Ender Installation Instructions

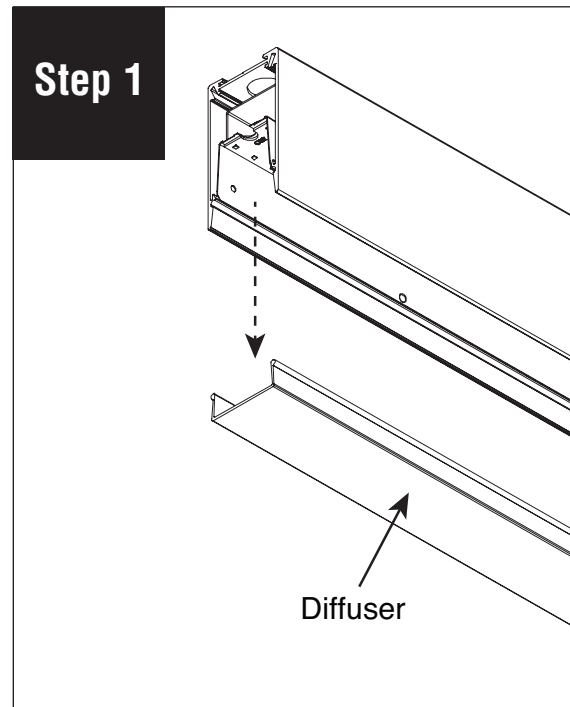
Scan QR code for helpful video(s)



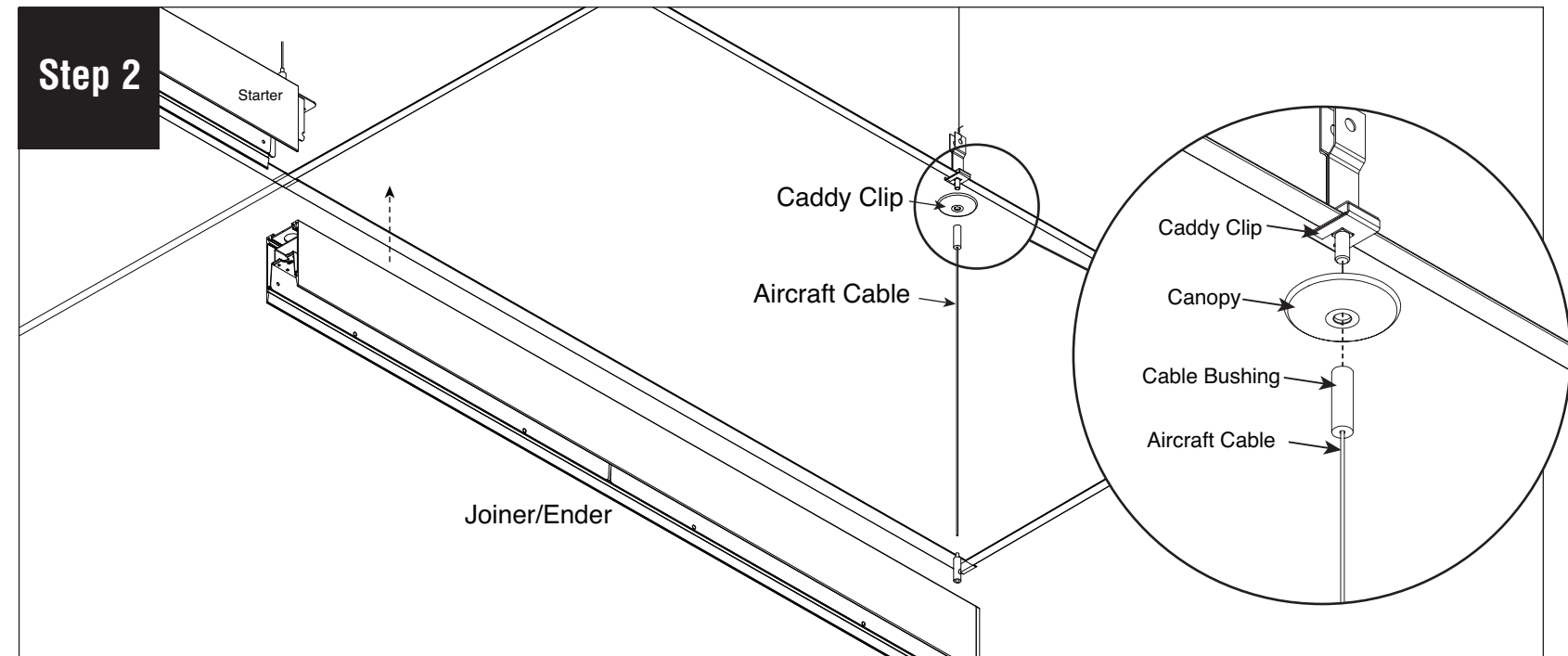
0 - 10V Dimming



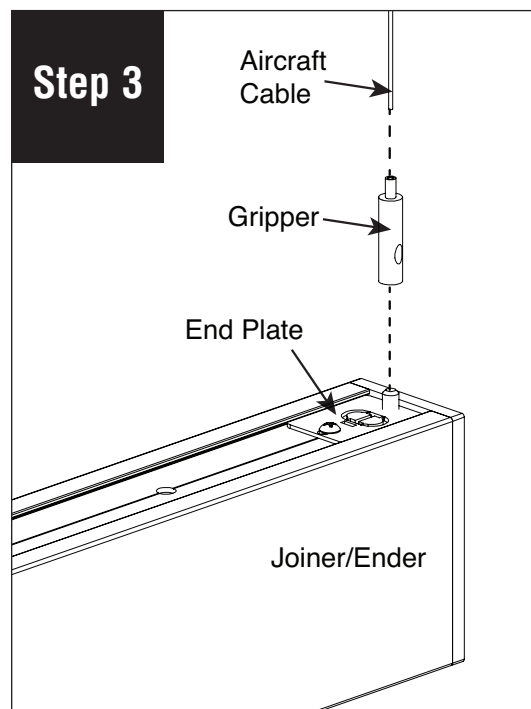
Locate aircraft cables.



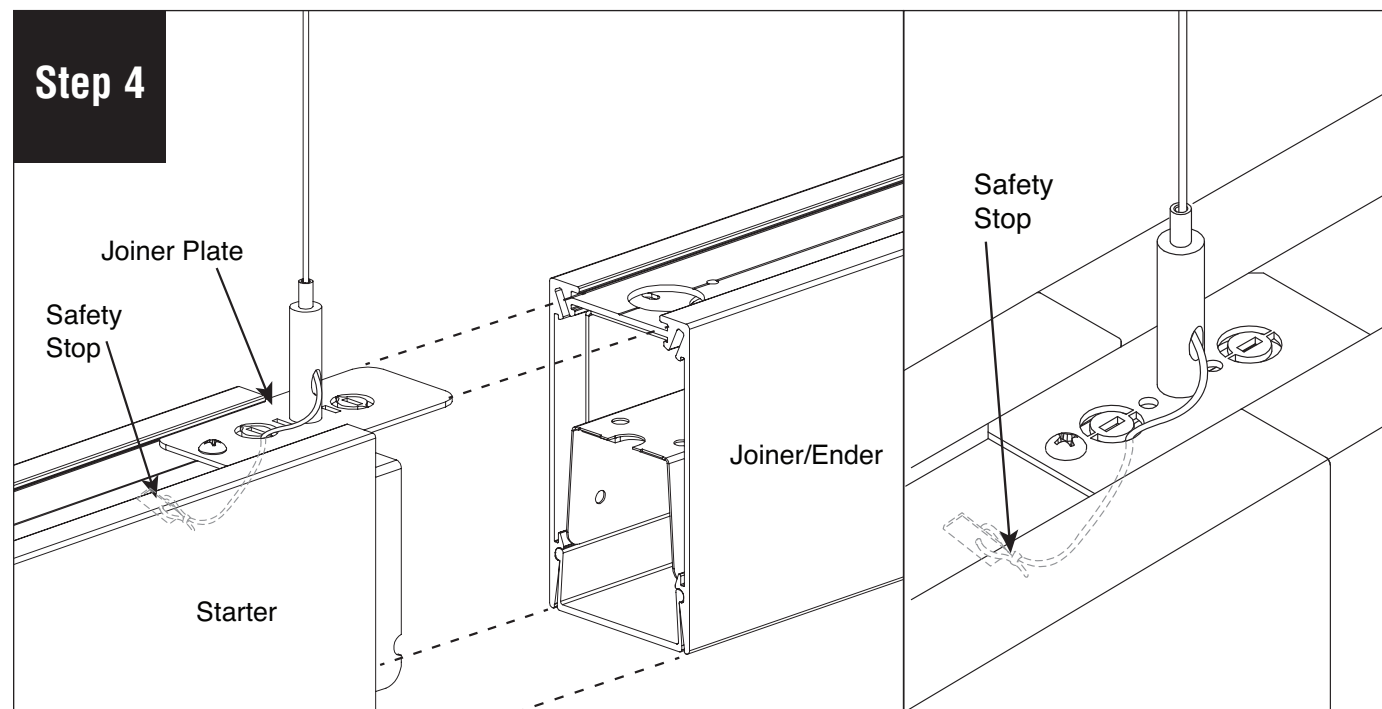
Remove diffusers and set aside to prevent it from getting dirty or damaged.



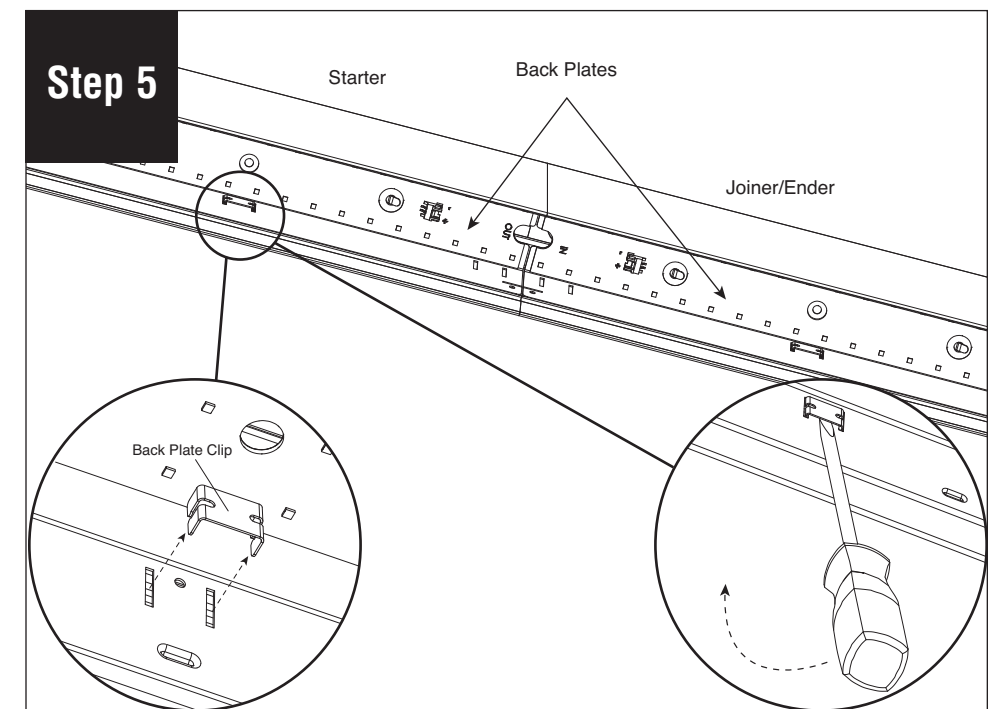
Install caddy clip for joiner/ender. Install canopy, cable bushing and aircraft cable onto caddy clip.



Install gripper onto end plate of luminaire then install aircraft cable into gripper. Adjust pendant to proper height and level.



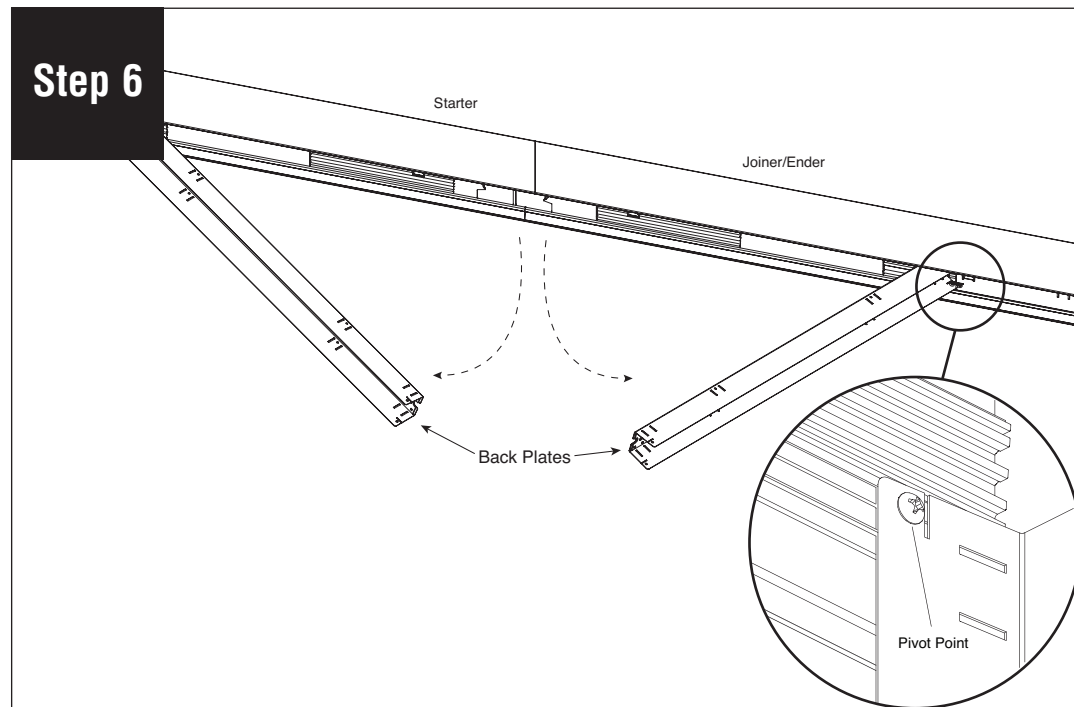
Align starter and joiner/ender luminaires and slide luminaires together. Slide safety stop and safety crimp up to the aircraft cable within 9" of cable gripper. Trim excess cable and insert safety bar assembly through feed hole.



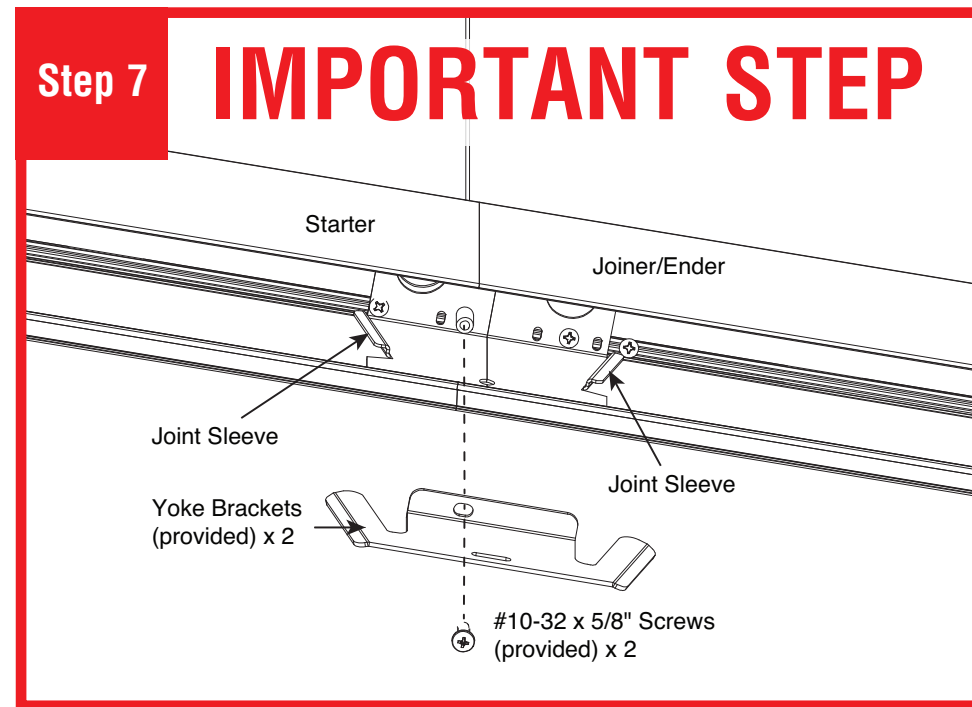
Remove back plate clips (provided) to release back plates. We recommend using a flat head screwdriver to get them loose. **CAUTION: Do not lose these pieces.**

Note: All power connections to be installed to local/national codes by a Certified Electrician.

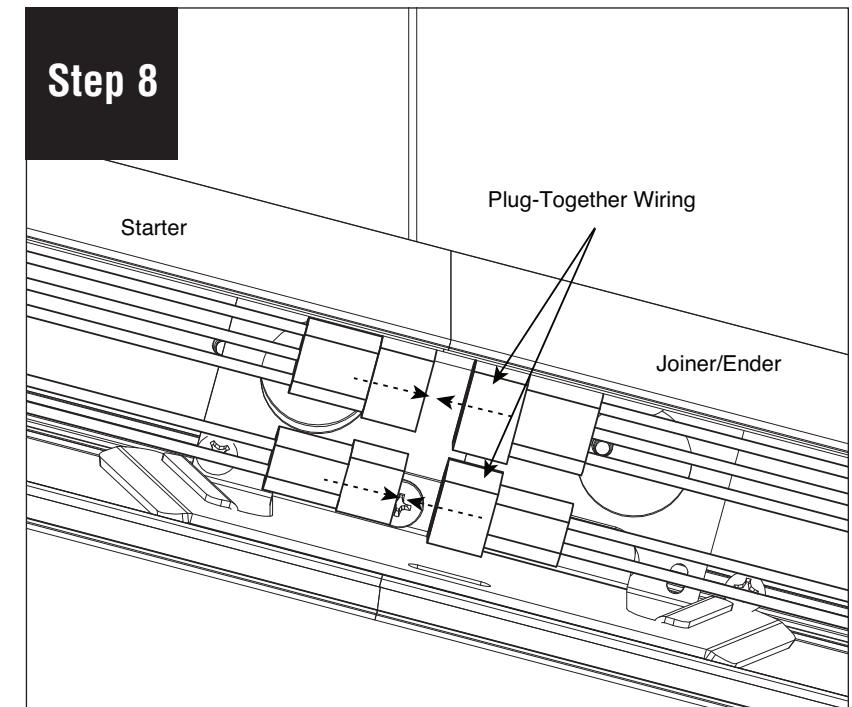
HP-2 Direct Joiner/Ender Installation Instructions



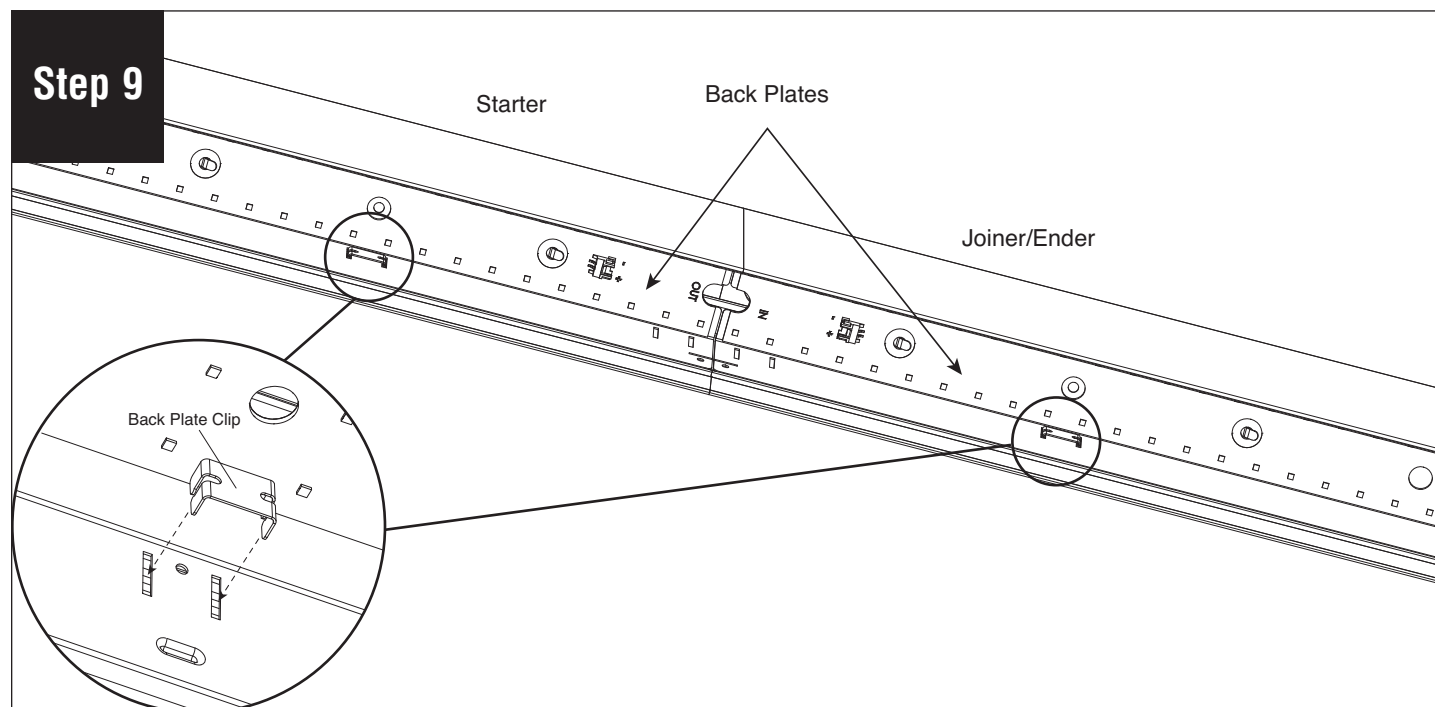
Step 6 Slowly swing down back plates. **CAUTION: Do not twist back plate when swinging down – it will come out of the support extrusion.** Note that the screw shown is the pivot point and the back plate can be slid a few inches either way for ease of access to the driver space.



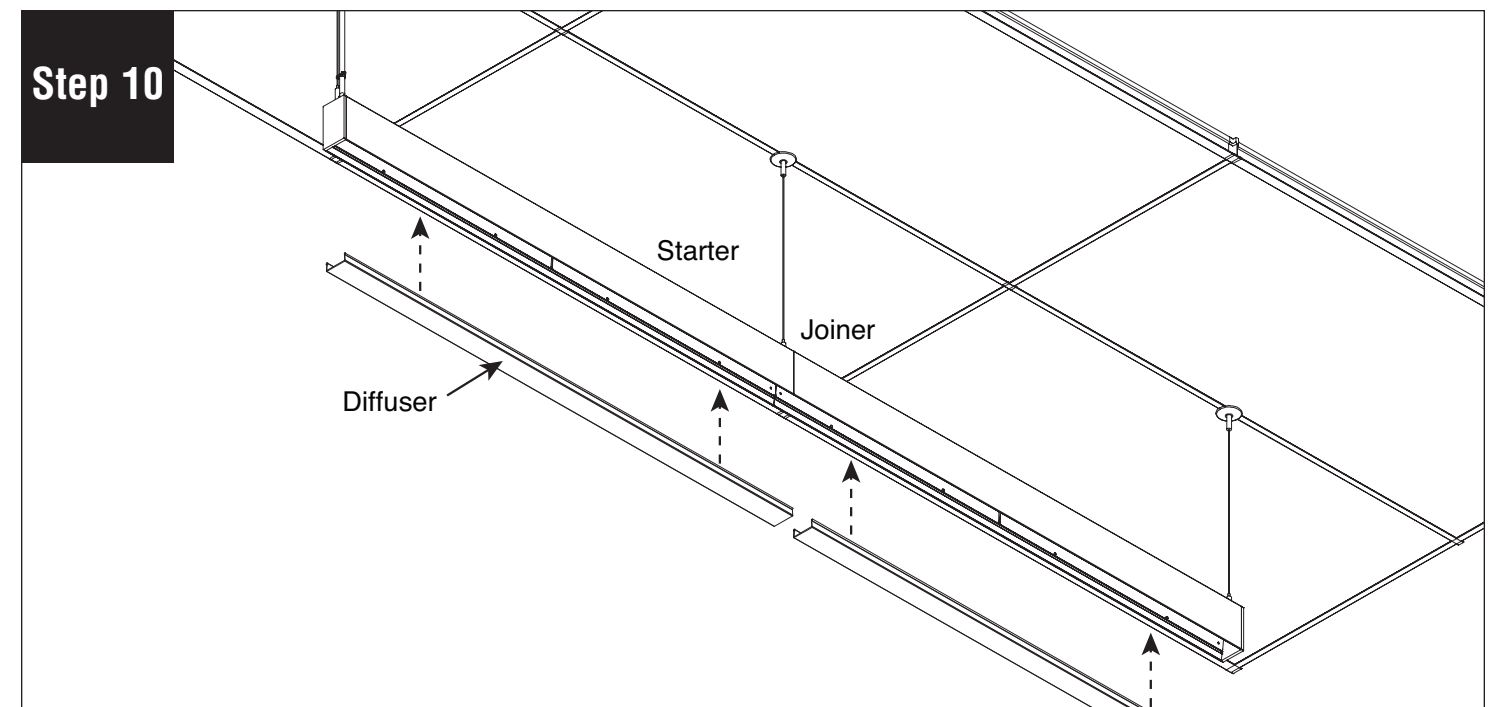
Step 7 **IMPORTANT STEP:** Secure joint with two yoke brackets (provided) using #10-32 x 5/8" screws (provided). **CAUTION:** When installed correctly these brackets will pull luminaires together to make a tight joint. Do not over-tighten.



Step 8 Connect plug-together wiring.



Step 9 Replace back plates by holding them in their original position and pushing the clips back in. Make sure wire connections are not pinched. (If 1 ft. back plate assembly is near joint, reconnect feed harness to LED board).



Step 10 Reinstall diffusers and turn power on to luminaire.

Note: All power connections to be installed to local/national codes by a Certified Electrician.