
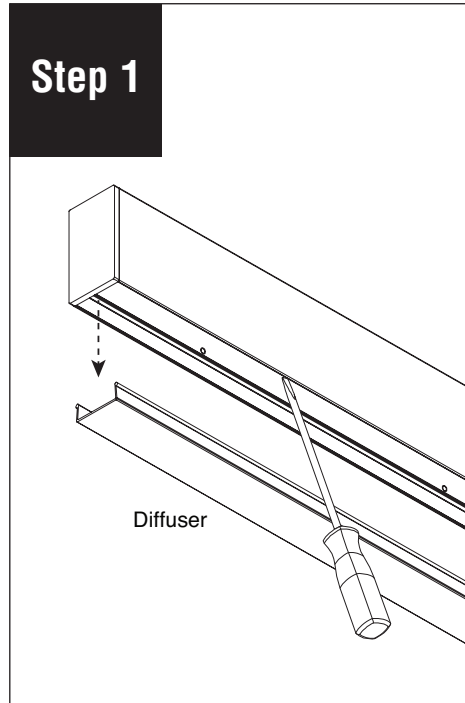


HP-2 Driver Replacement Installation Instructions

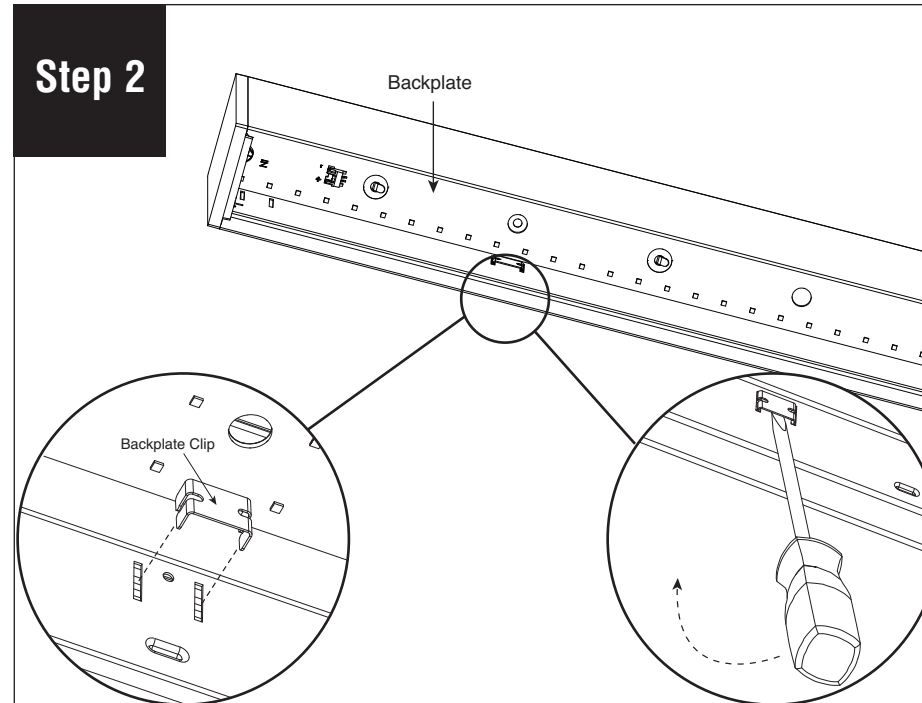
Scan QR code for helpful video(s)



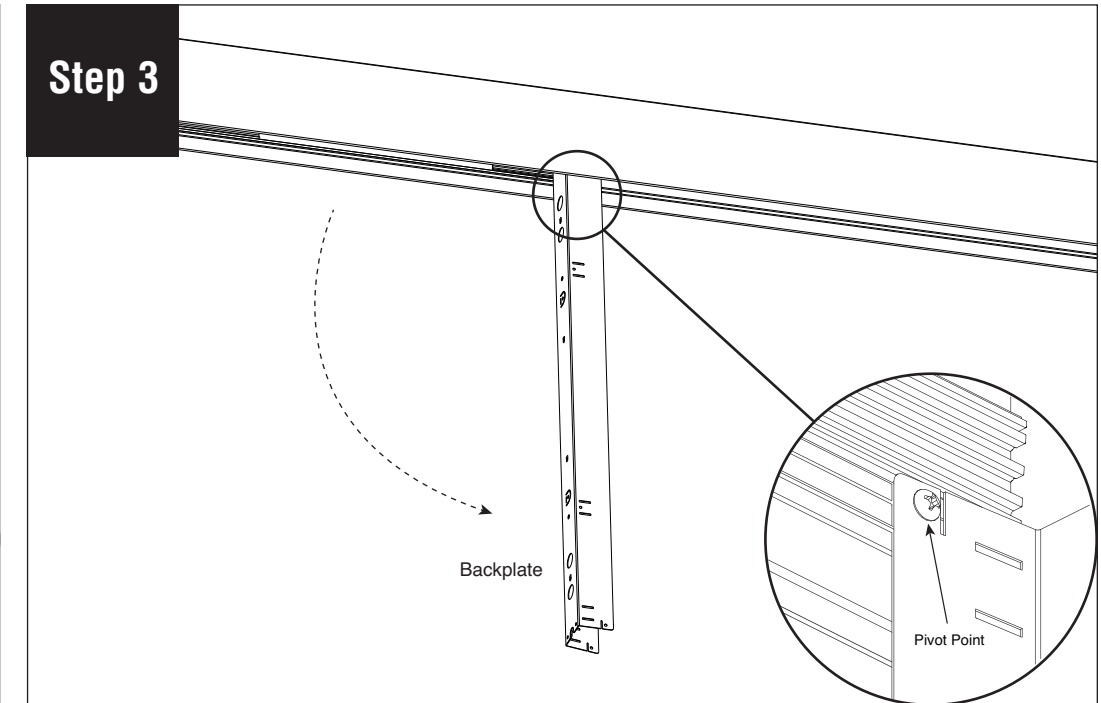
0 - 10V Dimming



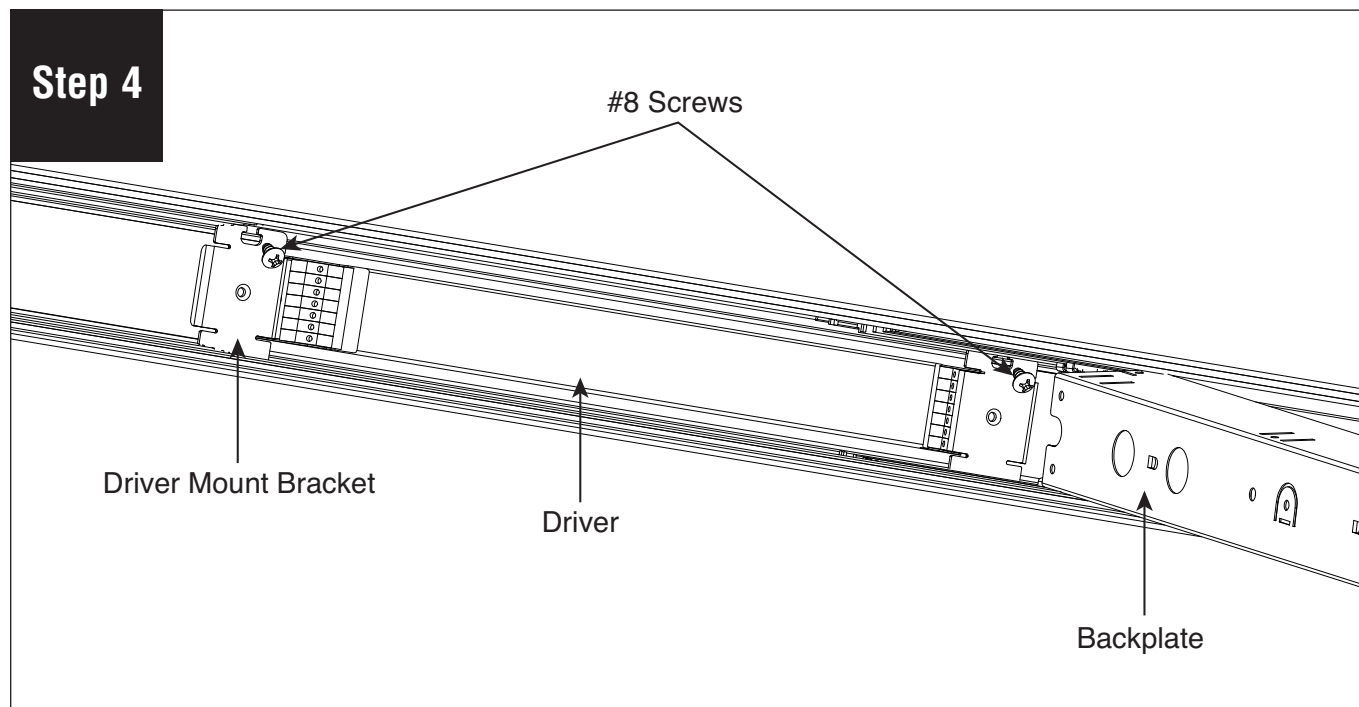
Remove diffuser and set aside to prevent it from getting dirty or damaged.



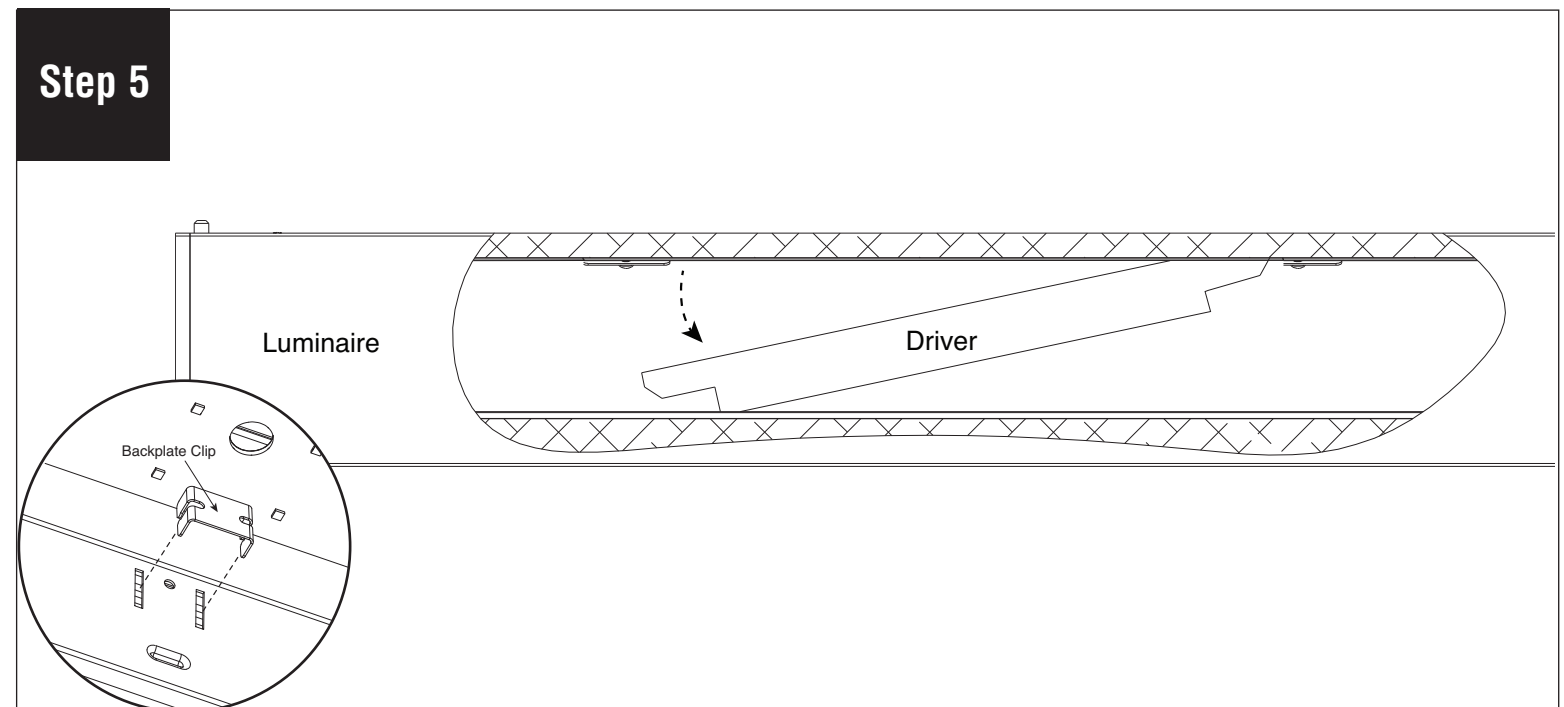
Remove backplate clips (provided) to release backplate. We recommend using a flat head screwdriver to get them loose. **CAUTION: Do not lose these pieces.**



Slowly swing down backplate. **CAUTION: Do not twist backplate when swinging down – it will come out of the support extrusion.** Note that the screw shown is the pivot point and the backplate can be slid a few inches either way for ease of access to the driver space.



Remove #8 screws from driver mount brackets and remove brackets.



Disconnect all wiring from driver. Pull driver out of luminaire. Replace new driver and reconnect all wiring. Reinstall driver mount brackets and replace backplates by holding them in their original position and pushing the clips back in. Make sure wire connections are not pinched. (If 1 ft. backplate assembly is near joint, reconnect feed harness to LED board).

Note: All power connections to be installed to local/national codes by a Certified Electrician.