
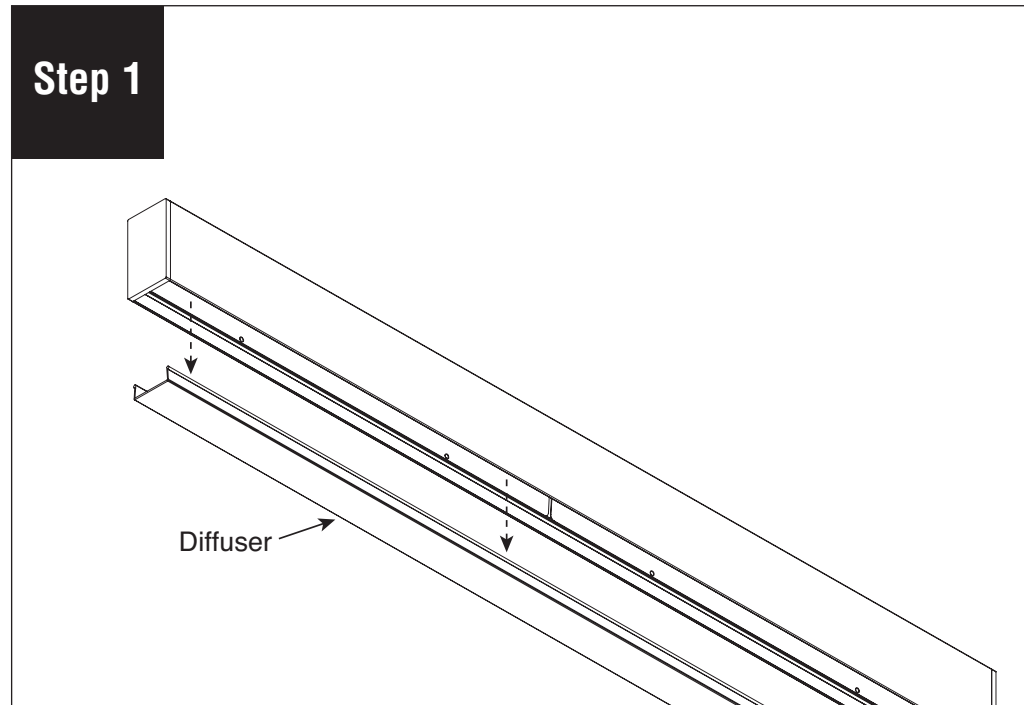


HP-2 LED Replacement Installation Instructions

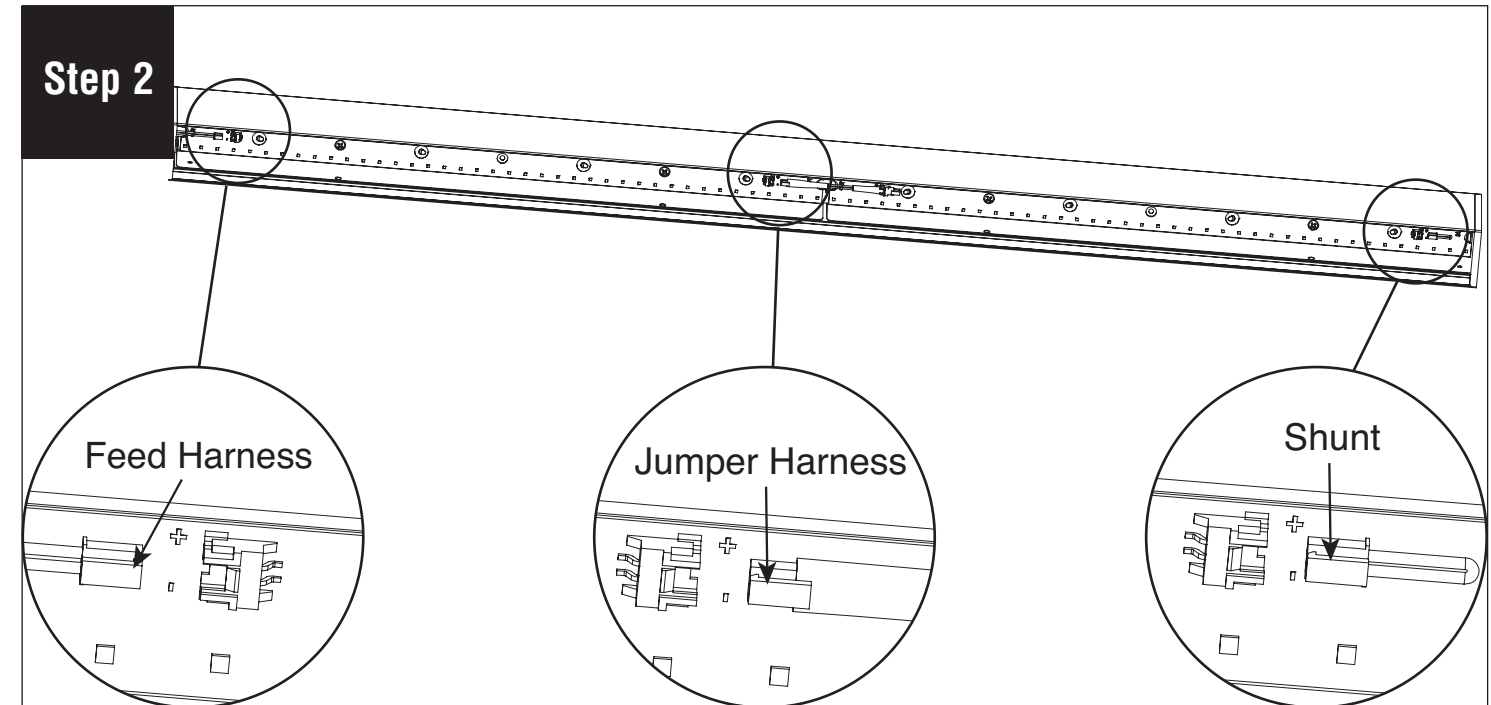
Scan QR code for helpful video(s)



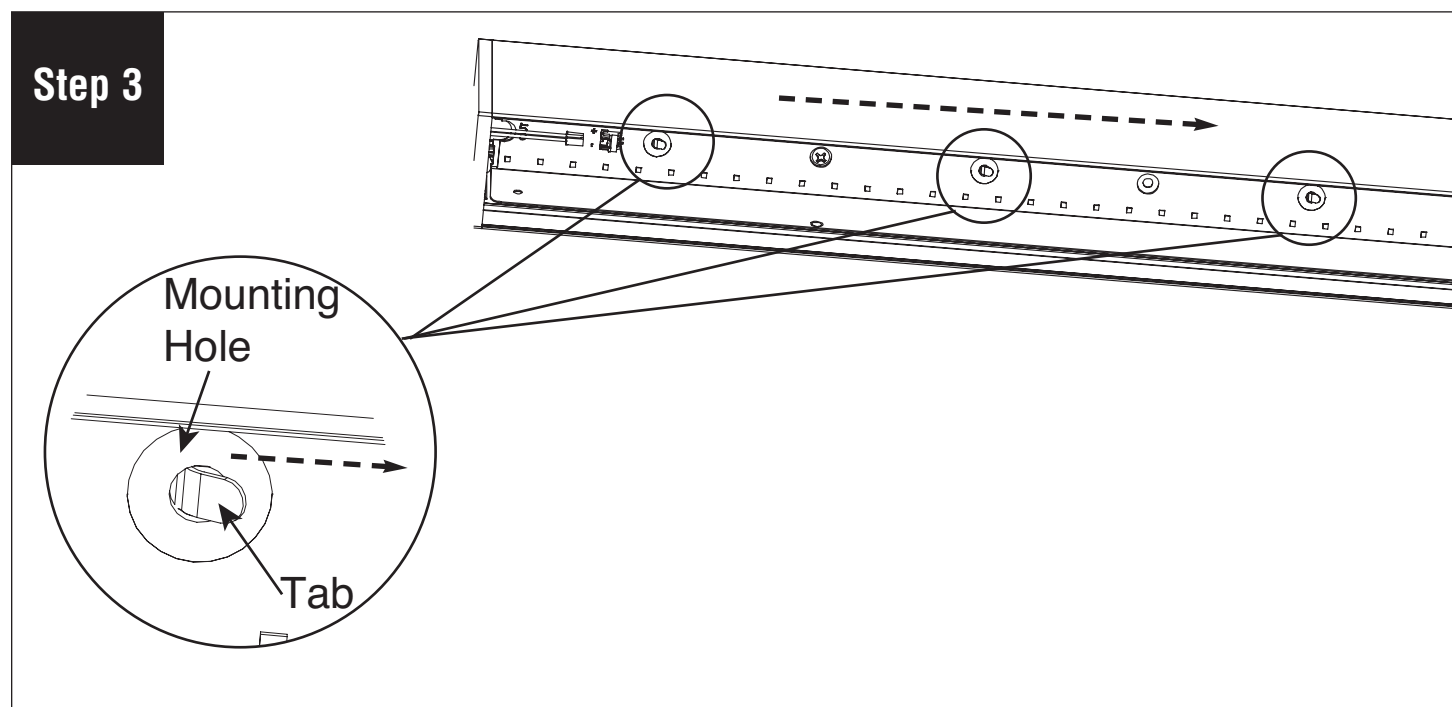
0 - 10V Dimming



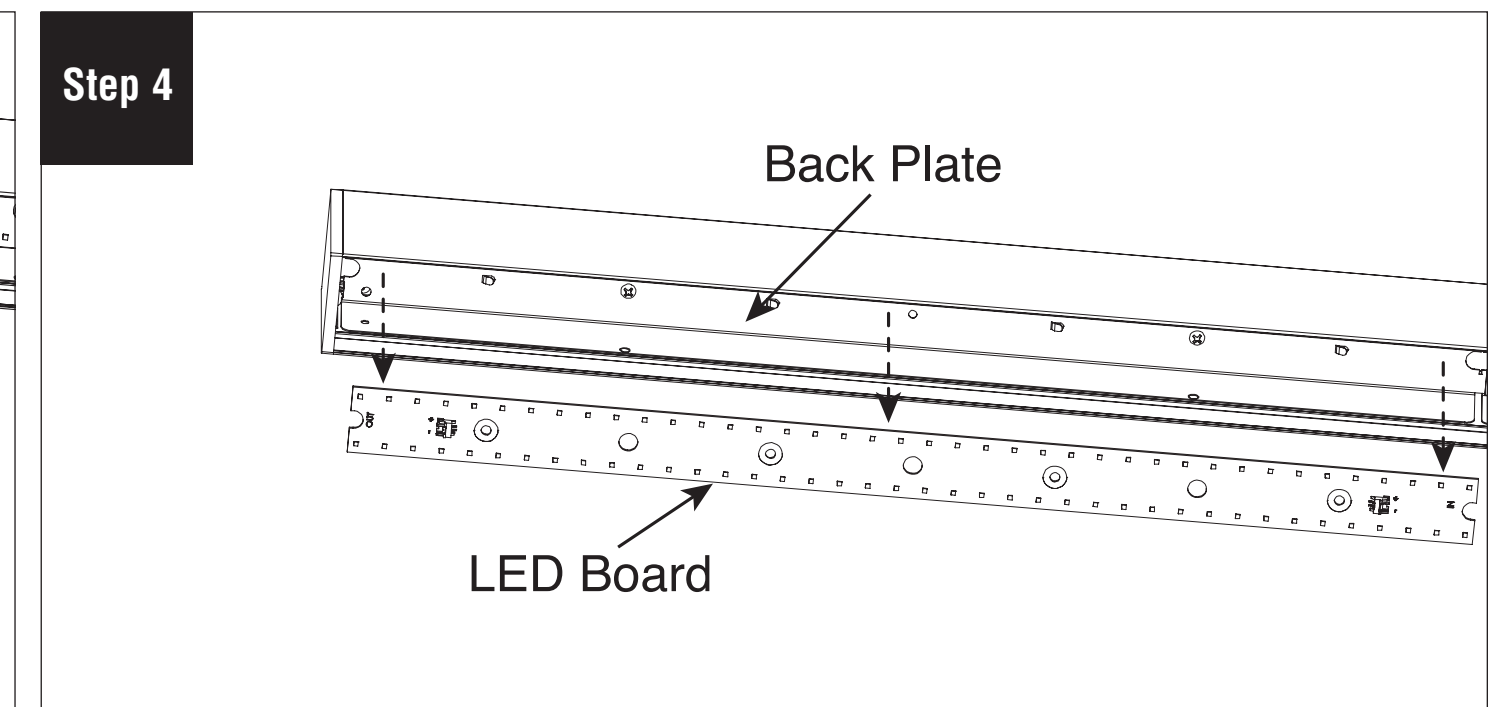
Turn off power. Remove diffuser and set aside to prevent it from getting dirty or damaged.



Disconnect the feed harness, jumper harnesses and shunt from LED boards.



Shift LED board away from the LED mounting tab. Bend tabs open if needed.



Lift LED board away from the back plate. Replace new LED board, bend tabs down to secure. Reconnect feed harness, jumper harness, and shunt. Reinstall diffuser and turn power on to luminaire.

Note: All power connections to be installed to local/national codes by a Certified Electrician.