

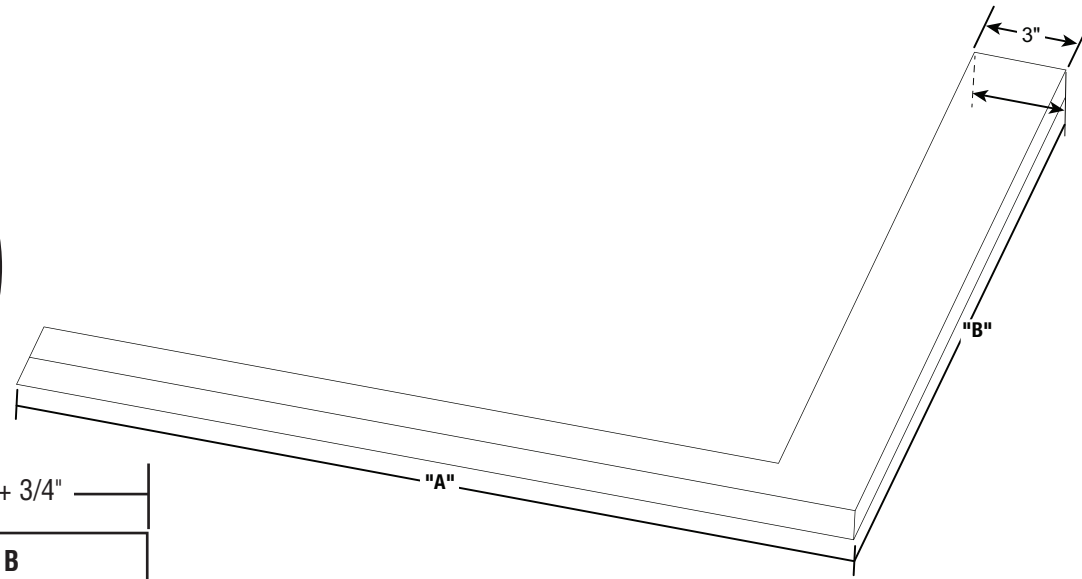
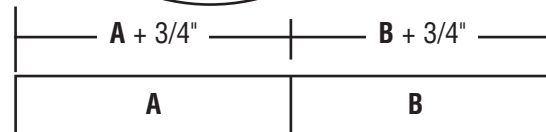
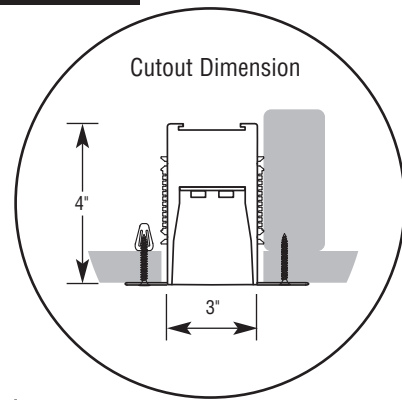
HP-2 Recessed Spackle Flange Drywall With Mitered Corner Installation Instructions

Scan QR code for helpful video(s)

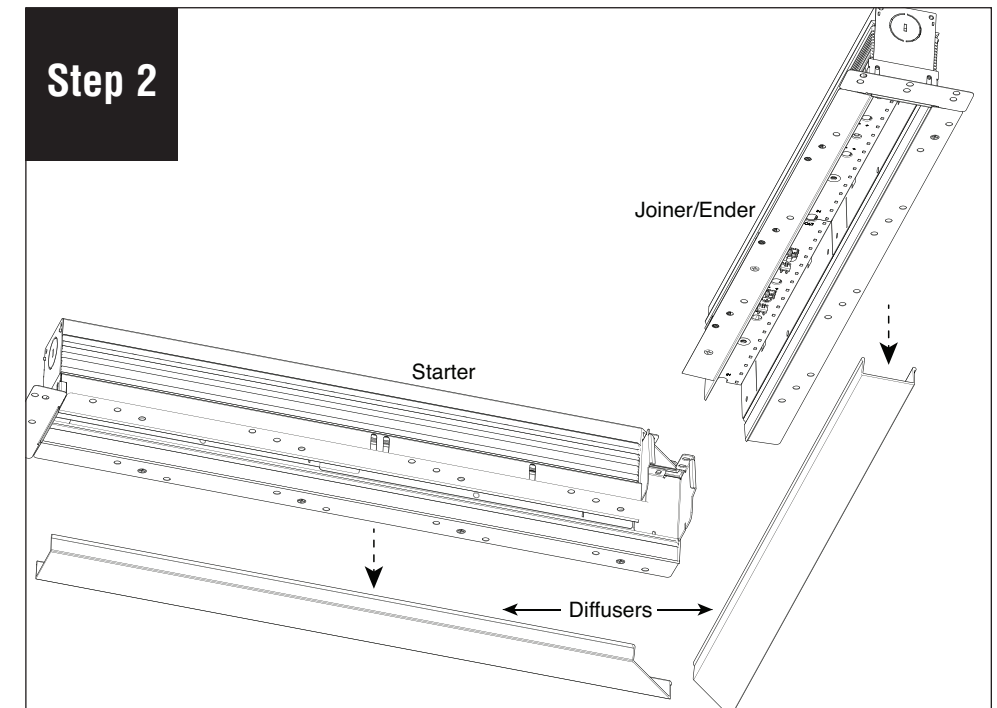


0 - 10V Dimming

Step 1



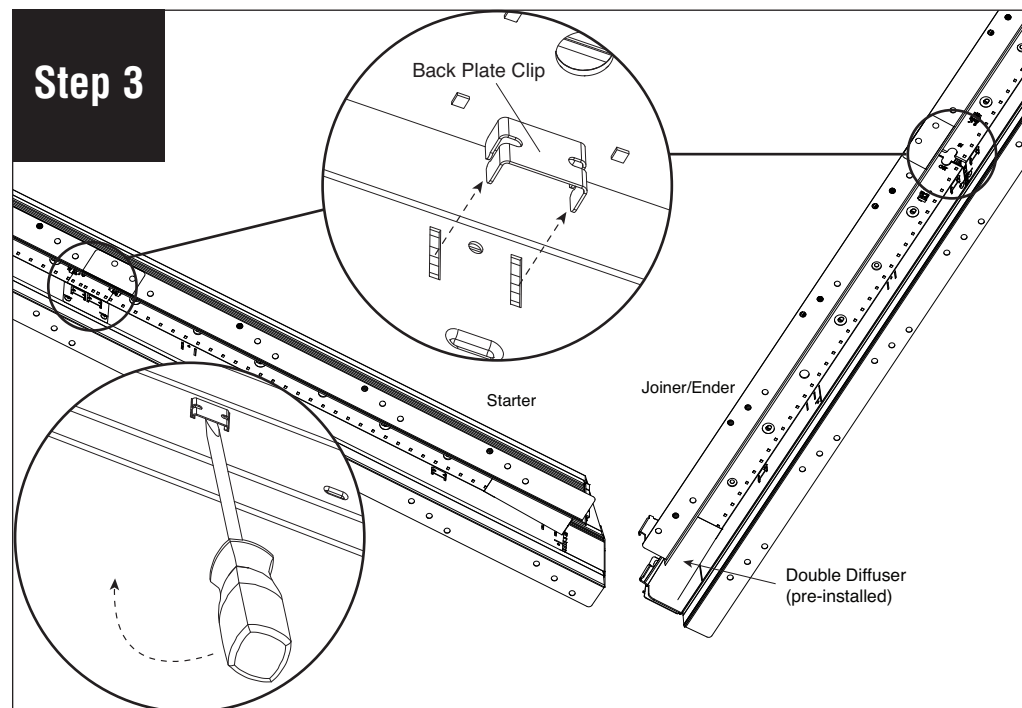
Step 2



Add 3/4" to body/row length (A) and body/row length (B), to simplify installation. Luminaire needs to be installed next to support blocking. **NOTE:** Tolerances on dimensions are +/- 1/16". Please contact factory for dimensions of tailored luminaires with non-90° angles.

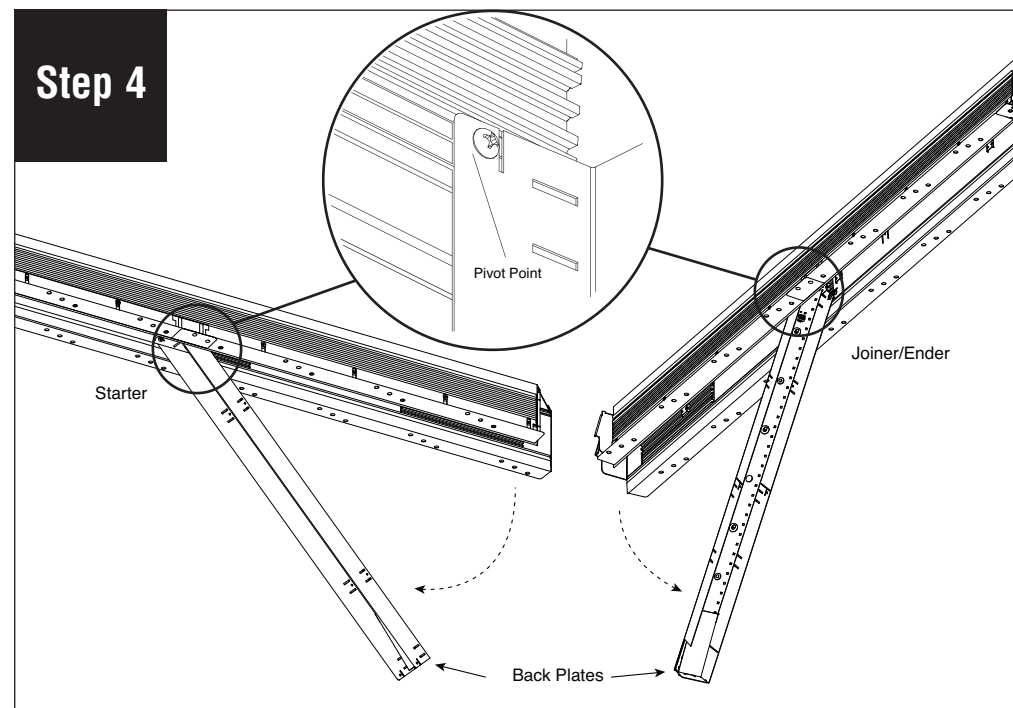
Remove diffusers and set aside to prevent them from getting dirty or damaged.

Step 3



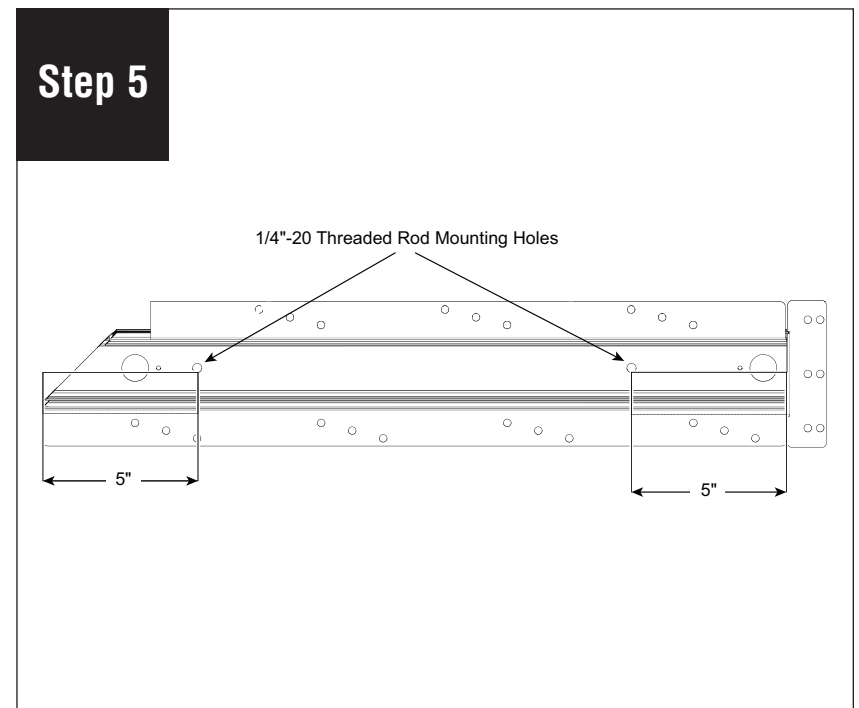
Remove back plate clips (provided) to release back plates. We recommend using a flat head screwdriver to get them loose. **CAUTION: Do not lose these pieces.**

Step 4



Slowly swing down back plates. **CAUTION: Do not twist back plate when swinging down - it will come out of the support extrusion.** Note that the screw shown is the pivot point and the back plate can be slid a few inches either way for ease of access to the driver space.

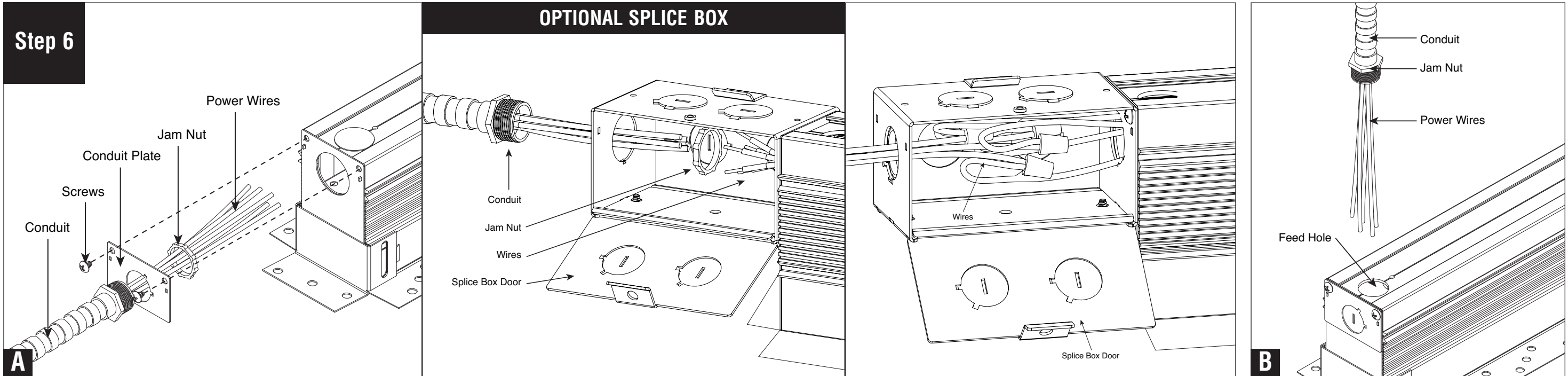
Step 5



Refer to threads and feed hole locations above before connecting luminaire wires.

Note: All power connections to be installed to local/national codes by a Certified Electrician.

HP-2 Recessed Spackle Flange Drywall With Mitered Corner Installation Instructions

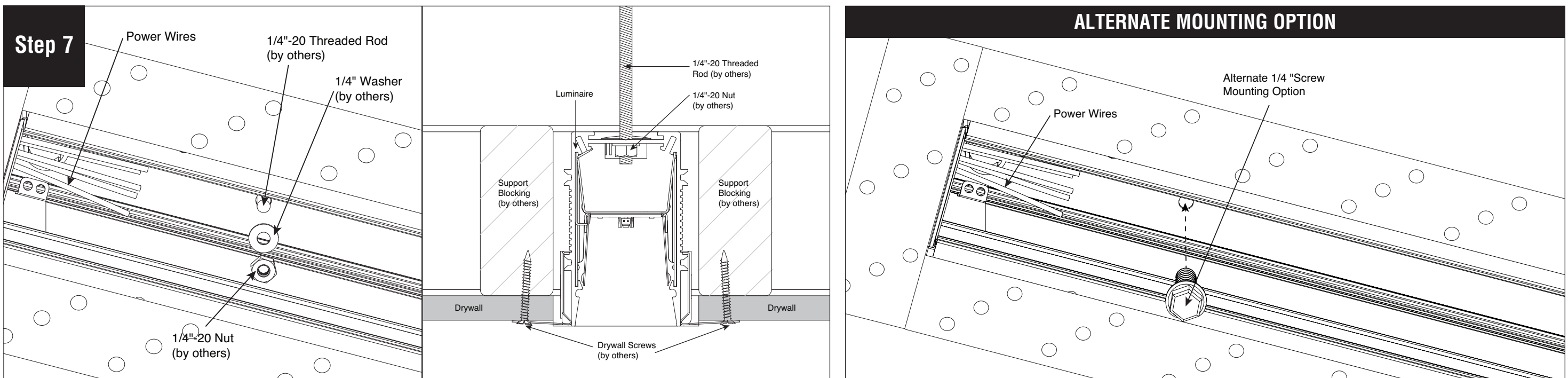


A. Standard installation. Remove conduit plate from luminaire. Remove jam nut from conduit then insert wires and connector through feed hole. Secure conduit with jam nut.

Open optional splice box door to access wiring.

Run power cable through knock-out. Make electrical connection. Secure conduit on to splice box with jam nut and close splice box door.

B. Alternate option from top.

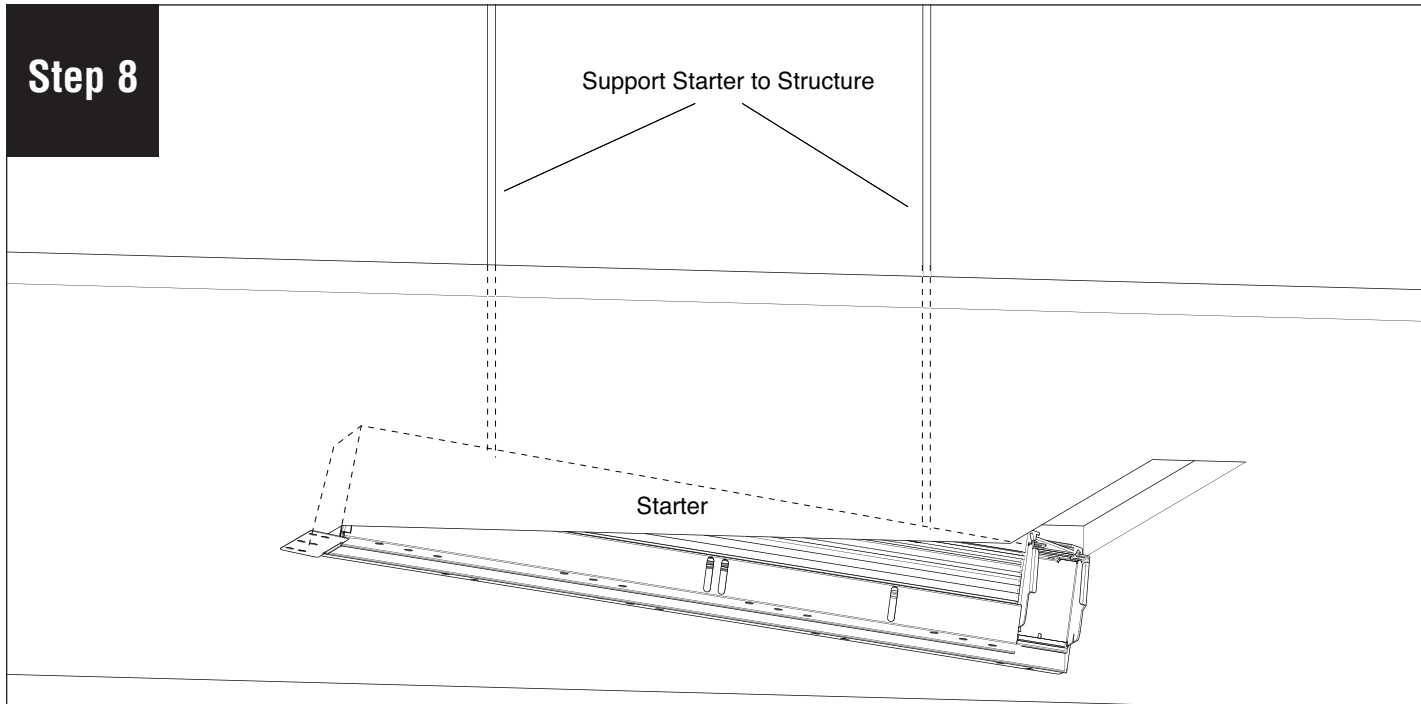


Engage the nut by a few threads. Do not completely tighten. Use 1/4"-20 threaded rod and spackle flange for blocking. Install 1/4" washers (by others) and 1/4"-20 nuts (by others) onto 1/4"-20 threaded rod (by others) on both ends of the luminaire.

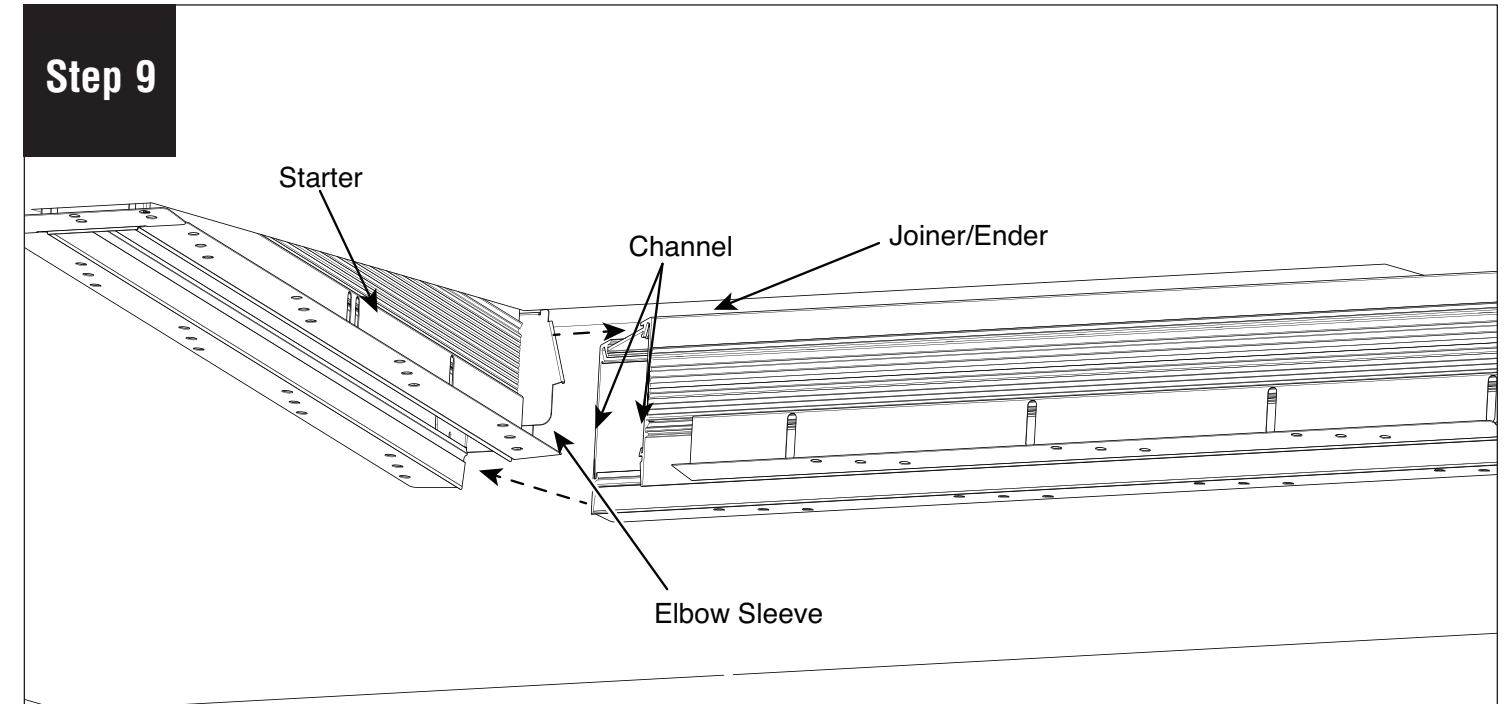
Alternate mounting option - Install 1/4" screw (by others) through mounting hole into proper structurally supported blocking (by others).

Note: All power connections to be installed to local/national codes by a Certified Electrician.

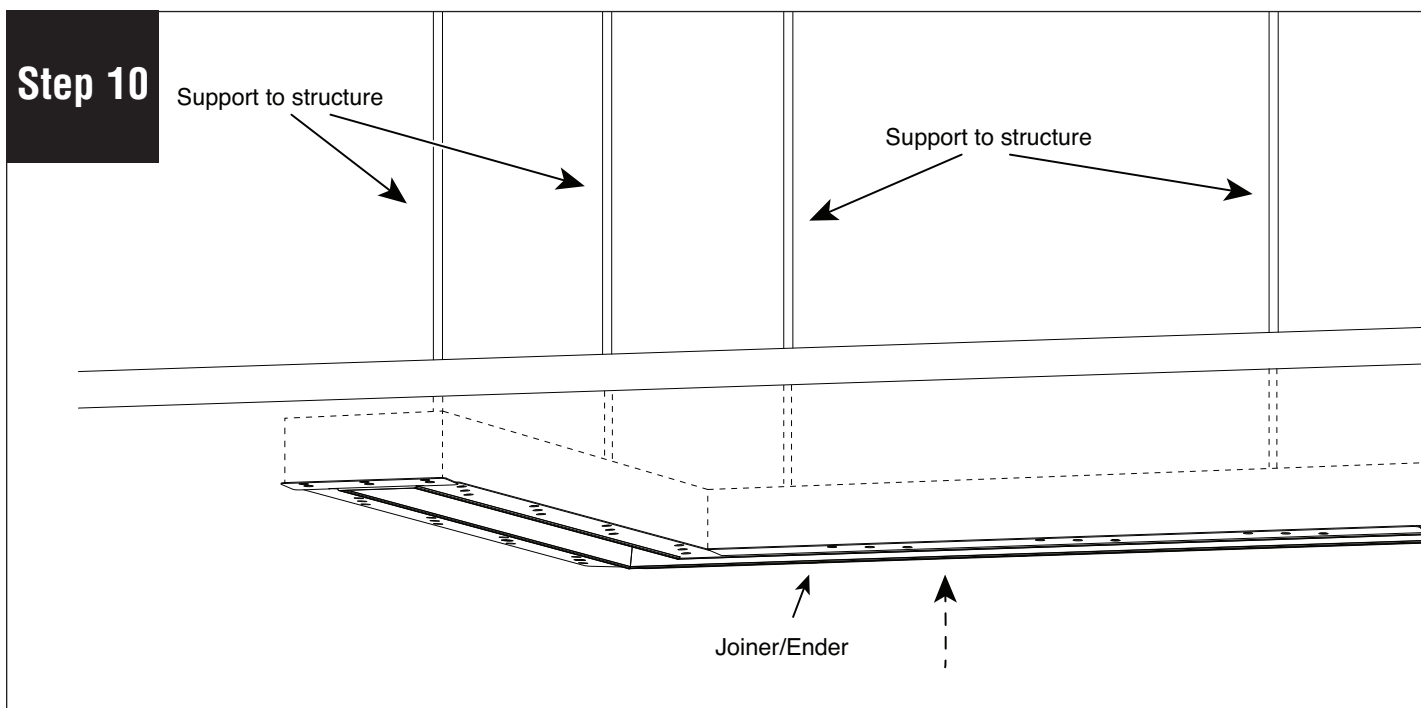
HP-2 Recessed Spackle Flange Drywall With Mitered Corner Installation Instructions



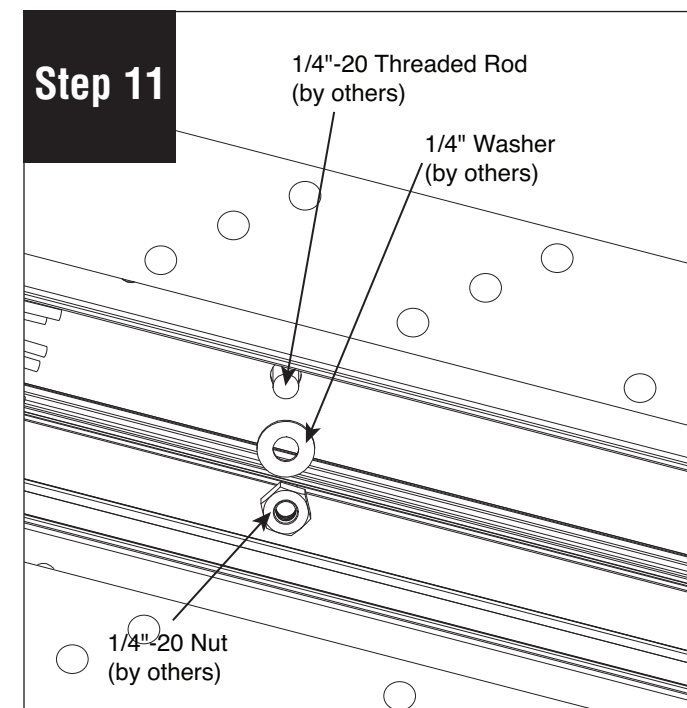
Keeping supported to structure, angle luminaire out of ceiling like shown so that there's enough protruding to add the joiner.



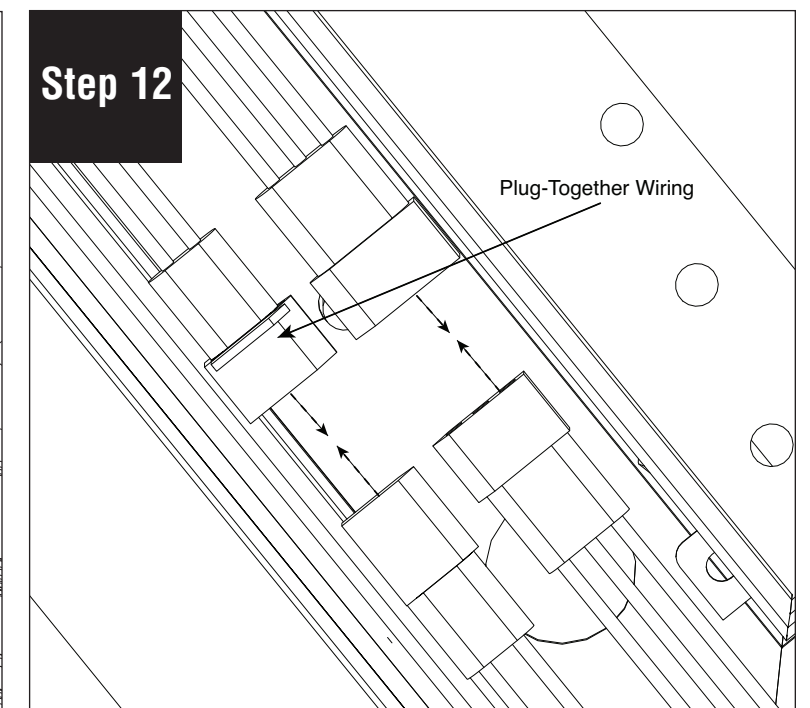
Align elbow sleeves with channels in luminaire body. Slide joiner/ender onto starter.



Support joiner/ender to structure and push up into ceiling.



Screw in the rest of the nuts.



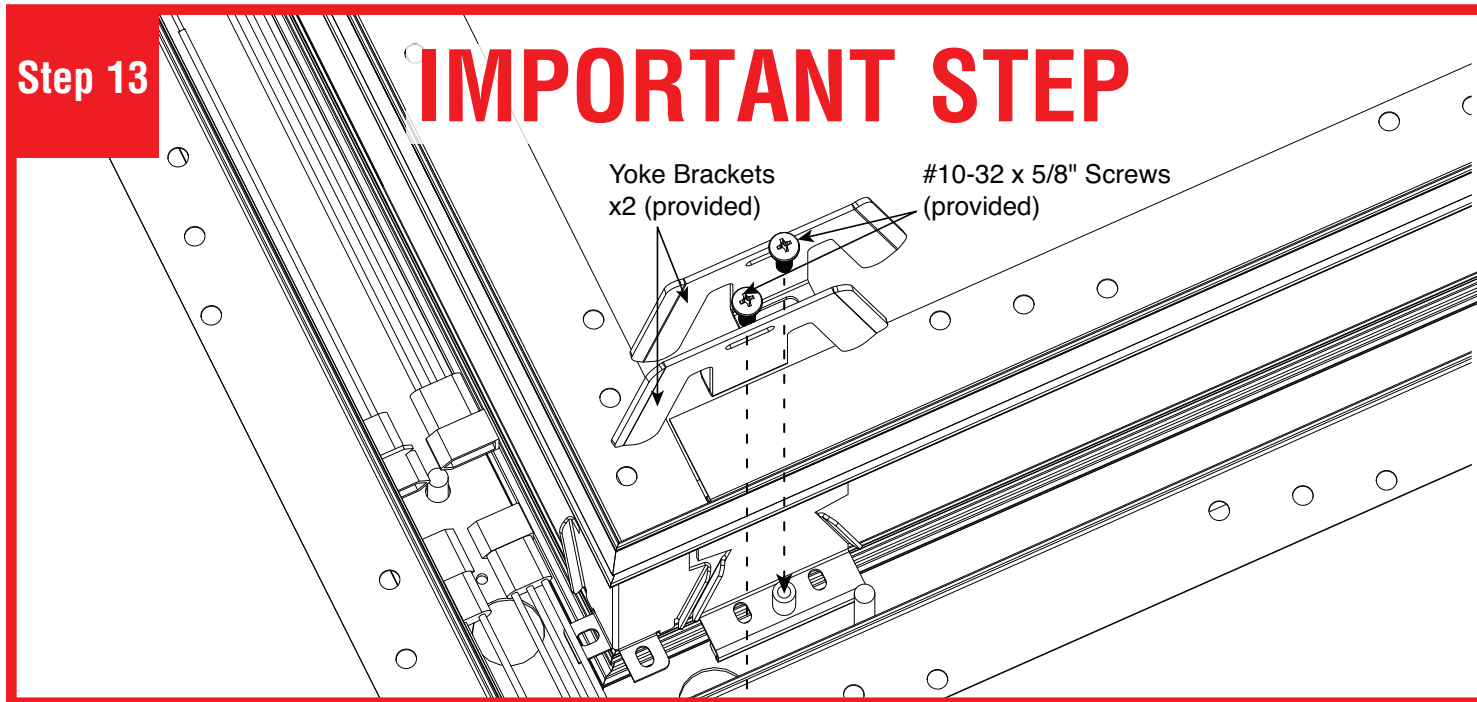
Connect plug-together wiring.

Protected by one or more US Patents: 8915613; D702,391; D702,390; D700,732; D727,564 S; D727,550 S; D727,551 S

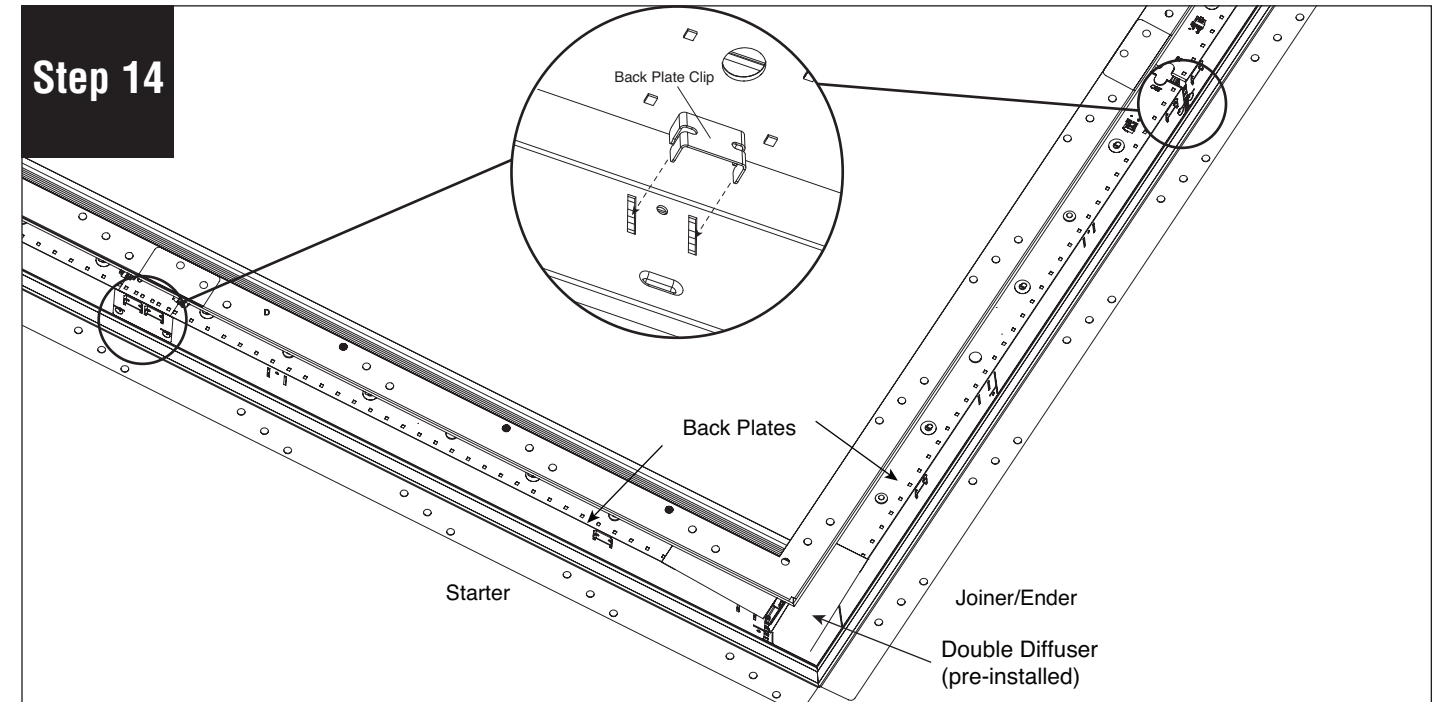
© 2017 FINELITE, INC. ALL RIGHTS RESERVED. Form 98341 V3. 01/17

Note: All power connections to be installed to local/national codes by a Certified Electrician.

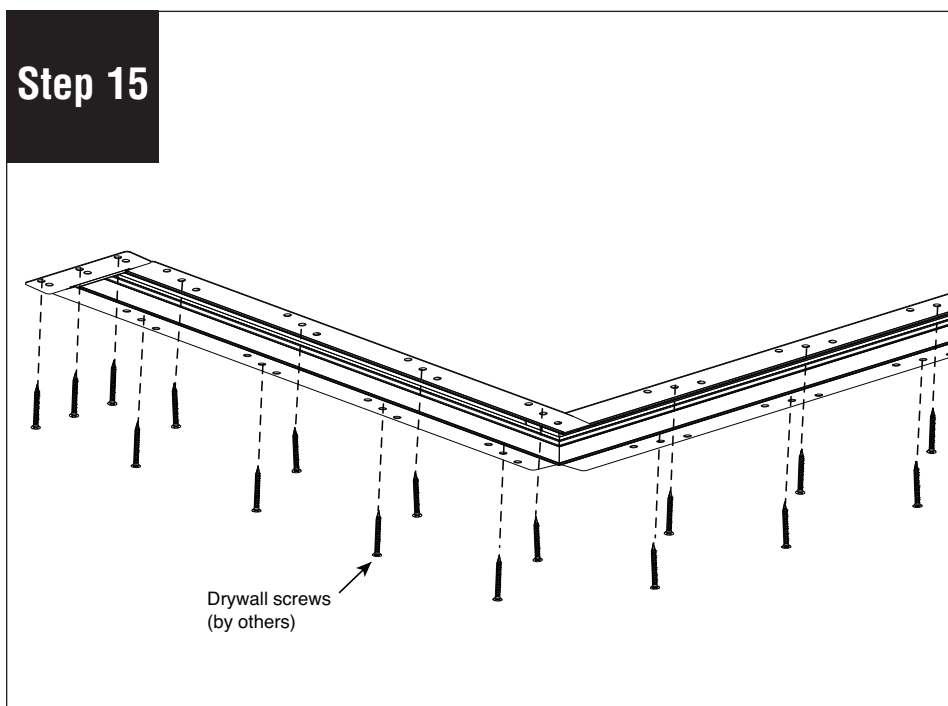
HP-2 Recessed Spackle Flange Drywall With Mitered Corner Installation Instructions



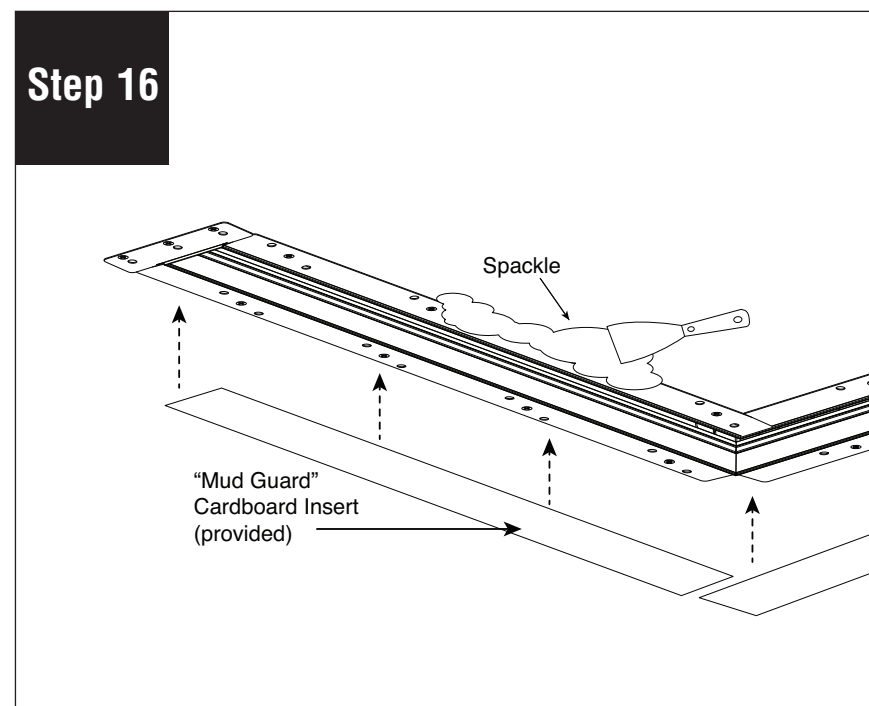
IMPORTANT STEP: Secure joint with two yoke brackets (provided) using #10-32 x 5/8" screws (provided). **CAUTION:** When installed correctly these brackets will pull luminaires together to make a tight joint. Do not over-tighten.



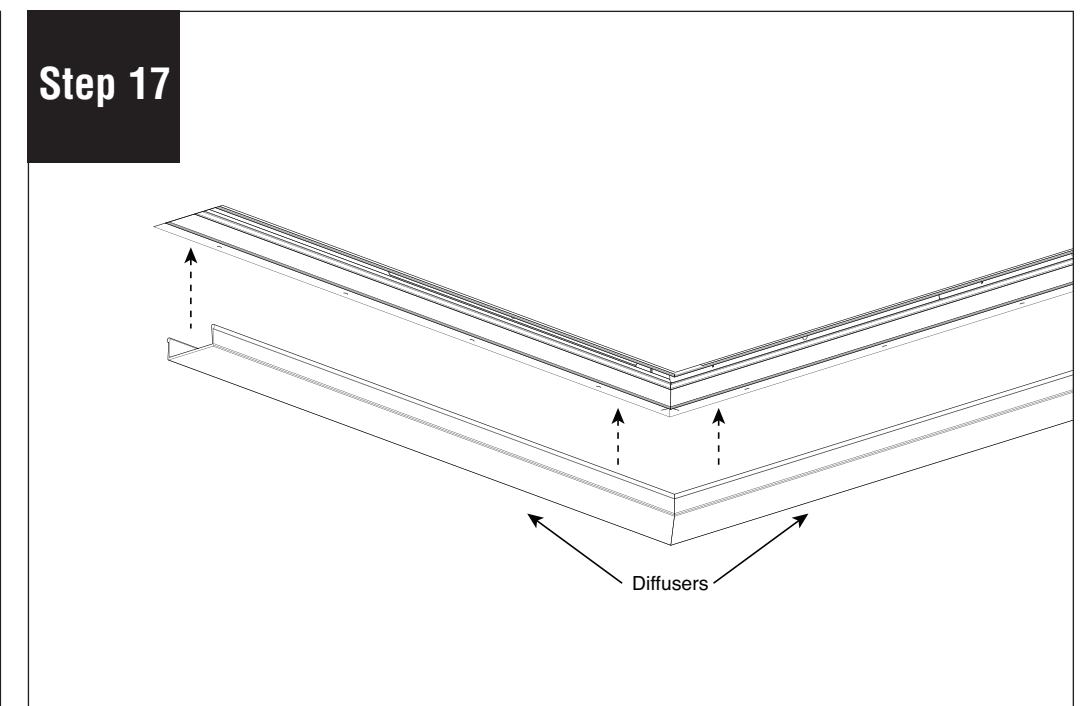
Replace all back plates by holding them in their original position and pushing the clips back in. Make sure wire connections are not pinched. (If 1 ft. back plate assembly is near joint, reconnect feed harness to LED board.)



Fasten luminaire to the ceiling using drywall screws (by others).



Install "mud guard" cardboard inserts (provided). Use spackle to cover up the flanges. Remove mud guards once spackling is complete.



Reinstall the diffuser. Turn power on to luminaire.

Note: All power connections to be installed to local/national codes by a Certified Electrician.