
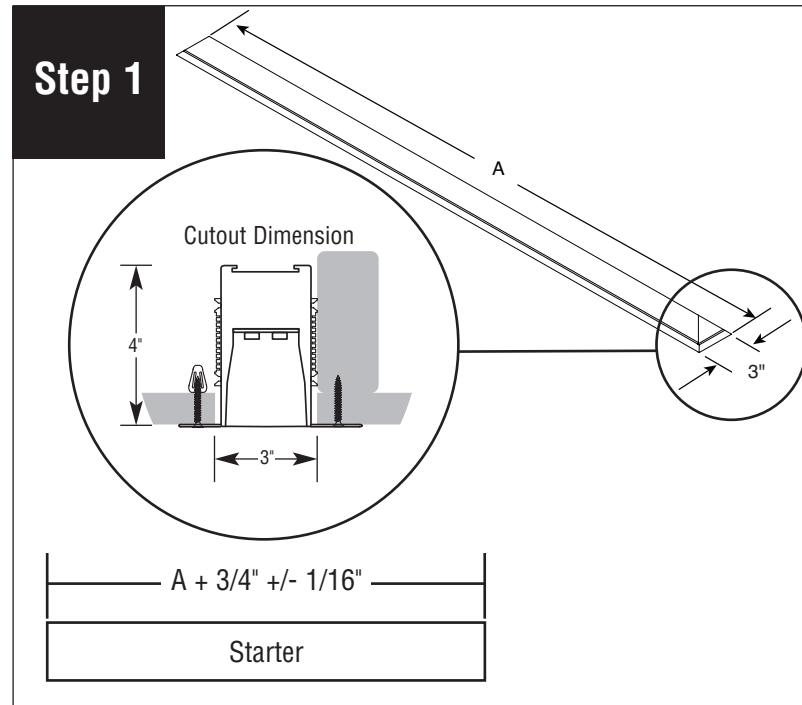


# HP-2 Recessed Flush Diffuser Spackle Flange Starter/Independent Installation Instructions

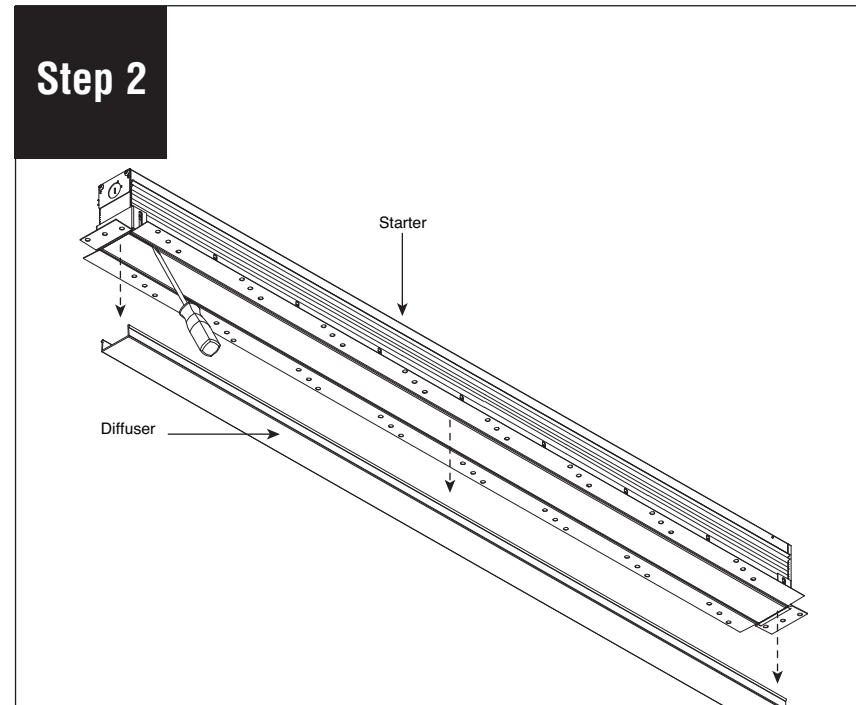
Scan QR code for helpful video(s)



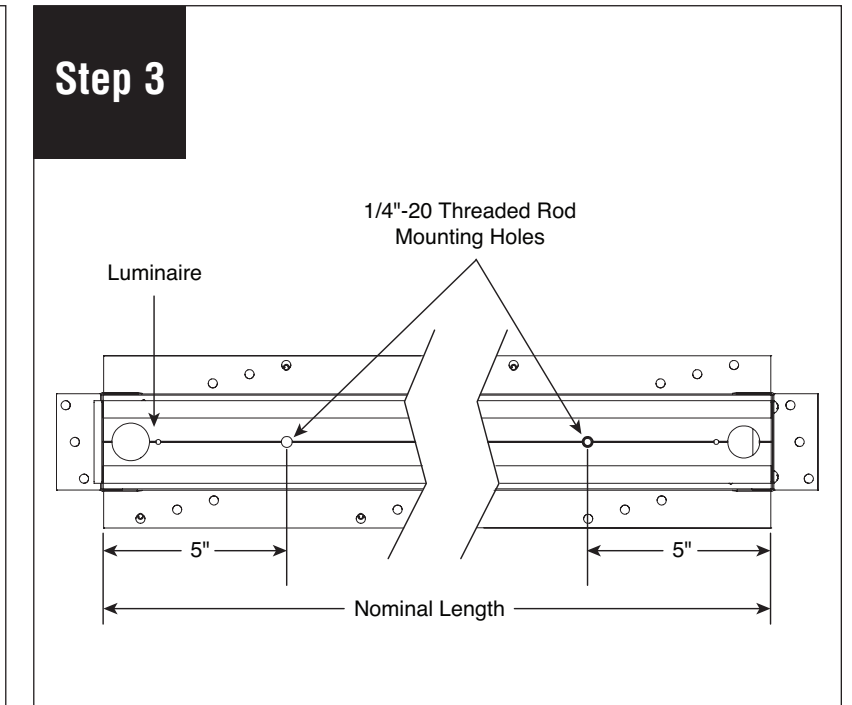
0 - 10V Dimming



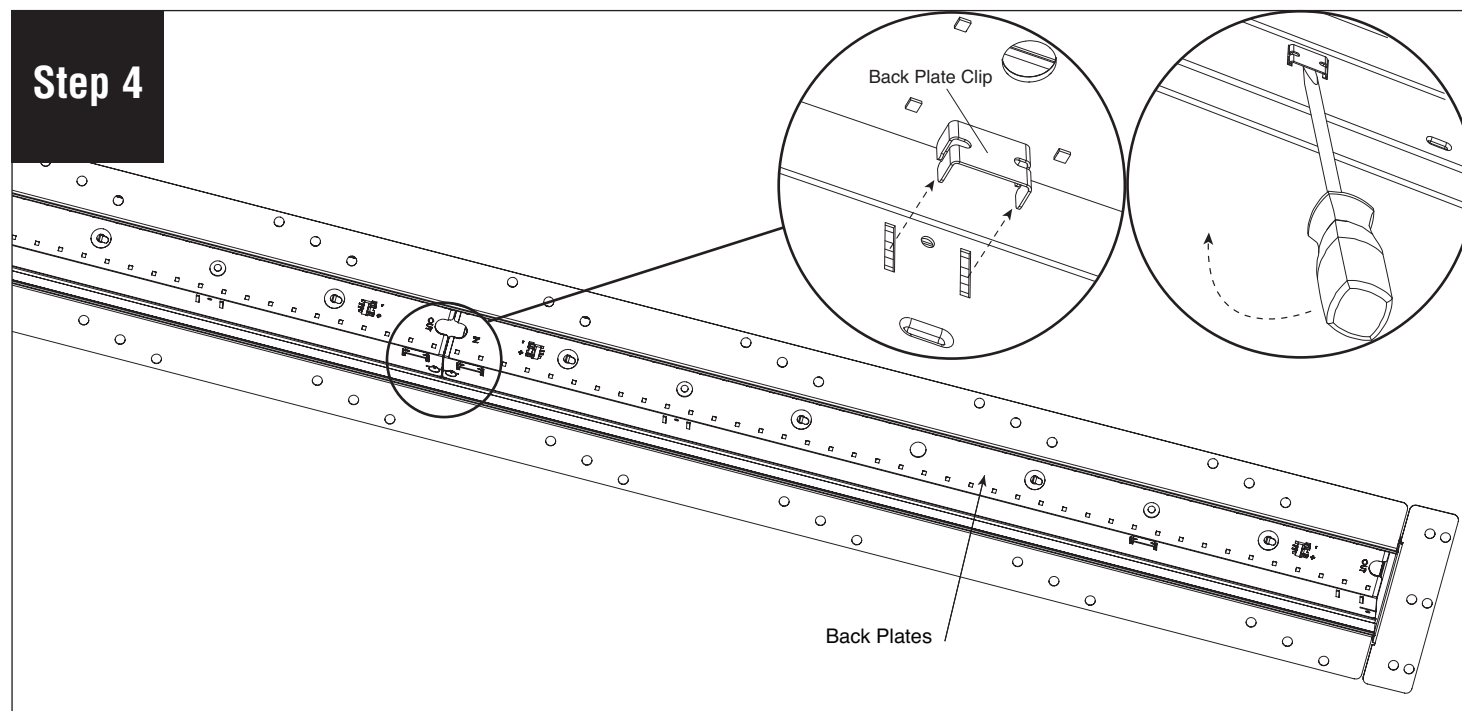
Add 3/4" to body/row length (A), +/- 1/16" to simplify installation. Luminaire needs to be installed next to support blocking.



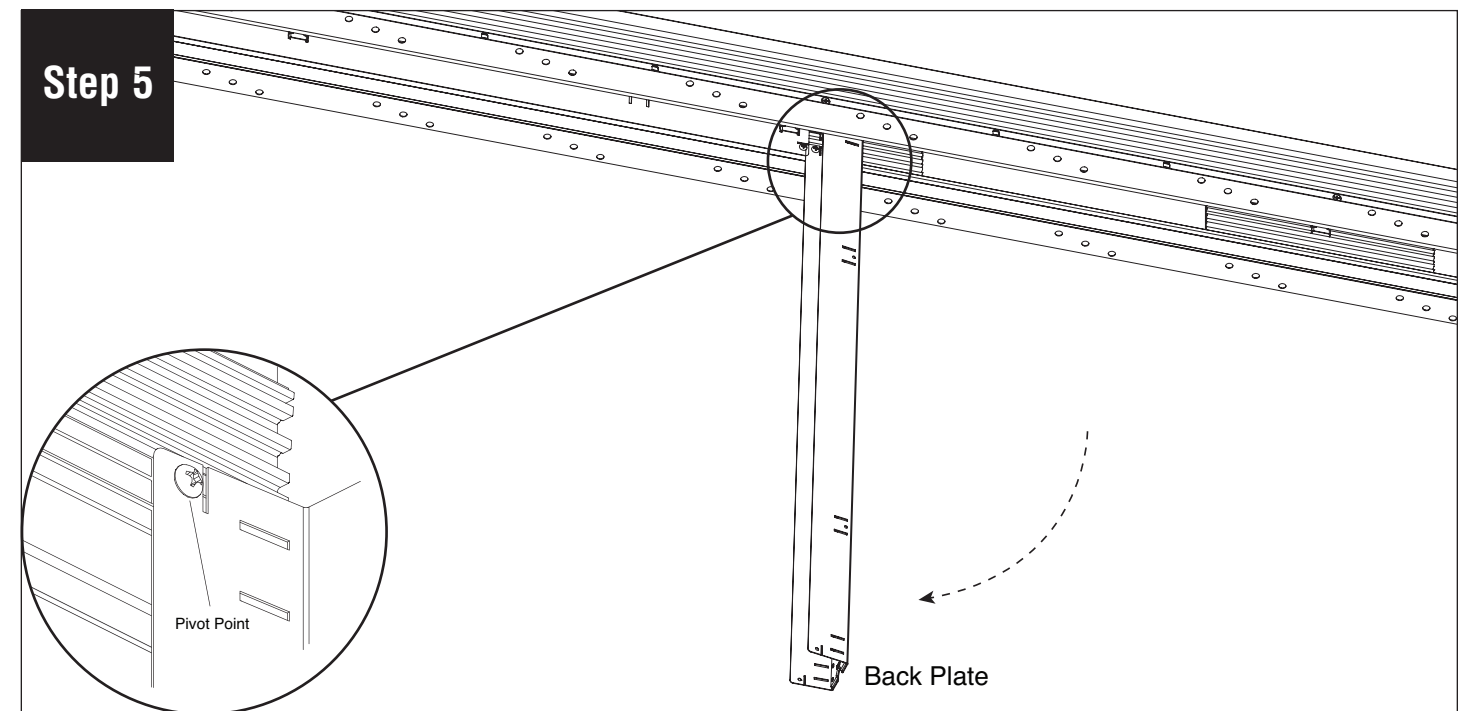
Remove diffuser and set aside to prevent it from getting dirty or damaged.



Refer to threads and feed hole locations above before connecting luminaire wires.



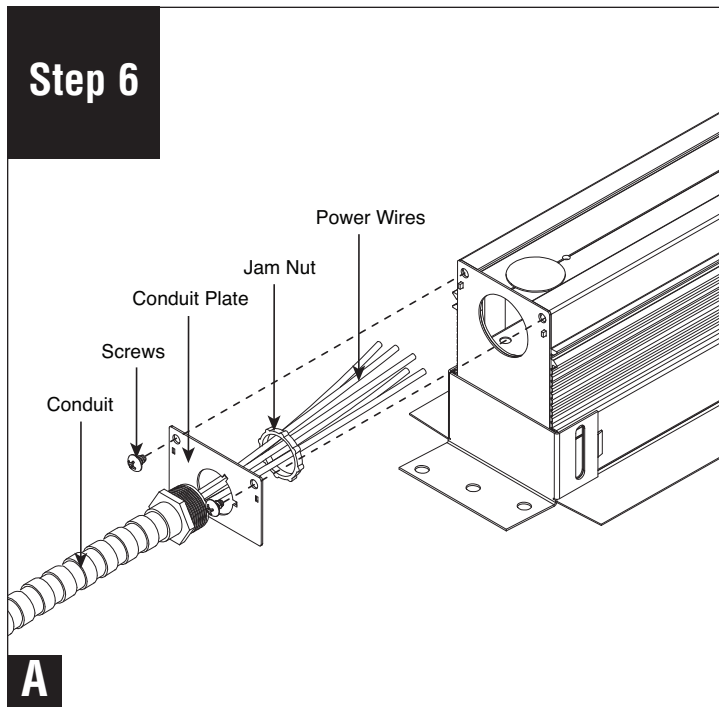
Remove back plate clips (provided) to release back plate. We recommend using a flat head screwdriver to get them loose.  
**CAUTION: Do not lose these pieces.**



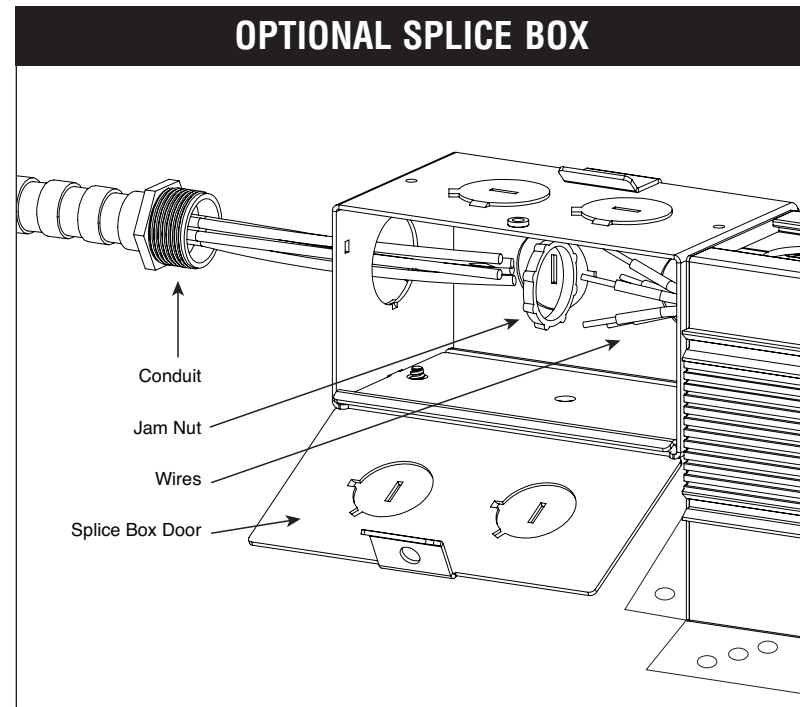
Align luminaire within rough opening in drywall and 1/4"-20 threaded rod (by others). Slowly swing down back plate.  
**CAUTION: Do not twist back plate when swinging down - it will come out of the support extrusion.** Note that the screw shown is the pivot point and the back plate can be slid a few inches either way for ease of access to the driver space.

**Note:** All power connections to be installed to local/national codes by a Certified Electrician.

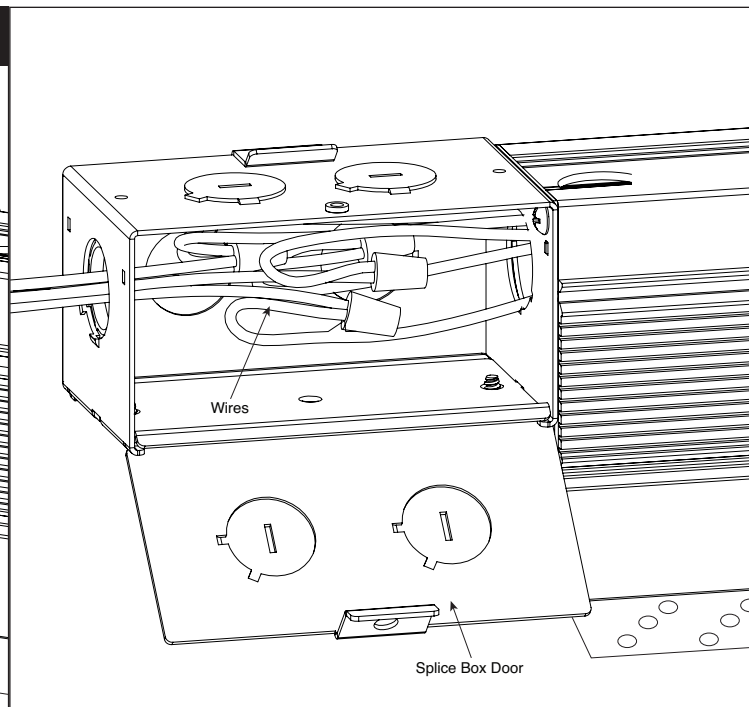
# HP-2 Recessed Flush Diffuser Spackle Flange Starter/Independent Installation Instructions



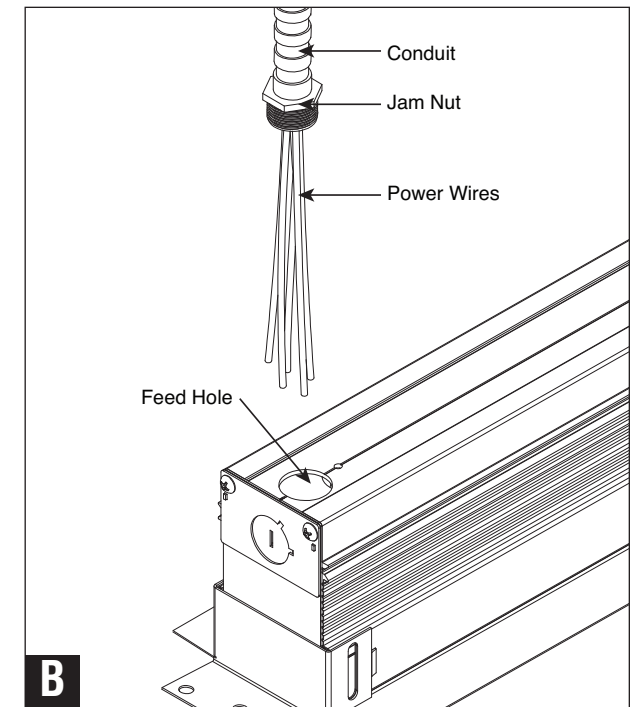
**A.** Standard installation. Remove conduit plate from luminaire. Remove jam nut from conduit then insert wires and connector through feed hole. Secure conduit with jam nut.



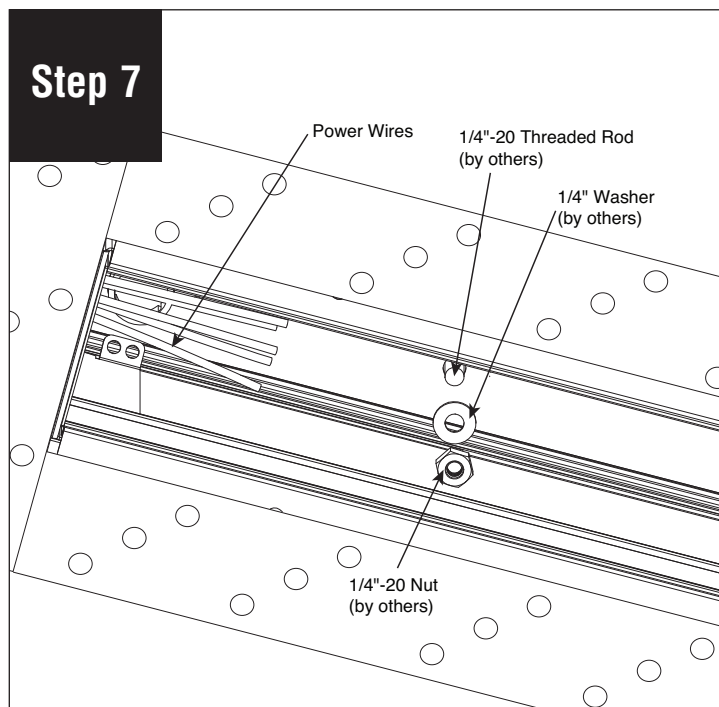
Open optional splice box door to access wiring.



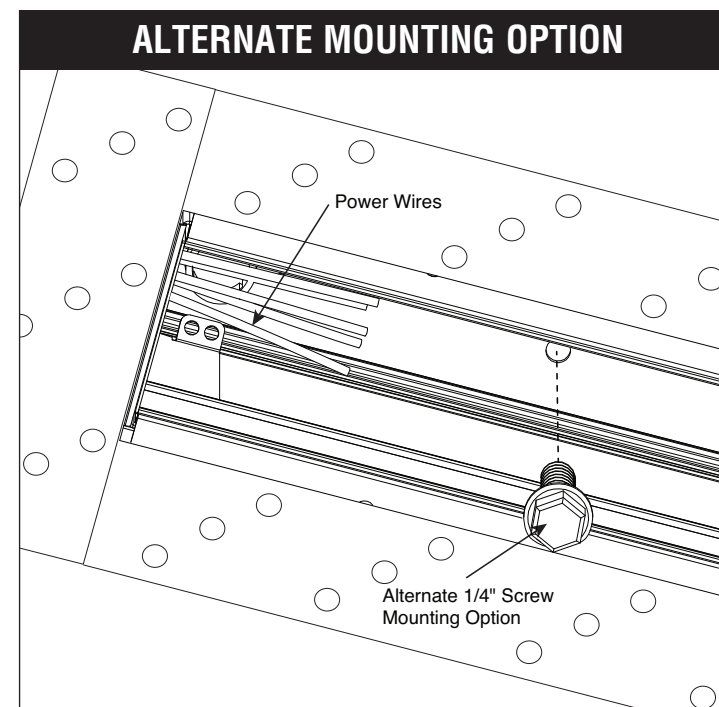
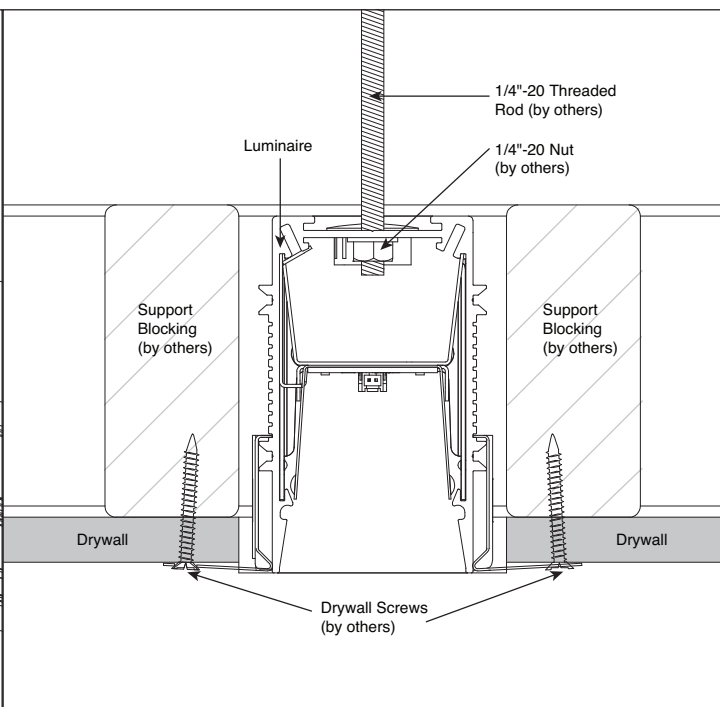
Run power cable through knock-out. Make electrical connection. Secure conduit on to splice box with jam nut and close splice box door.



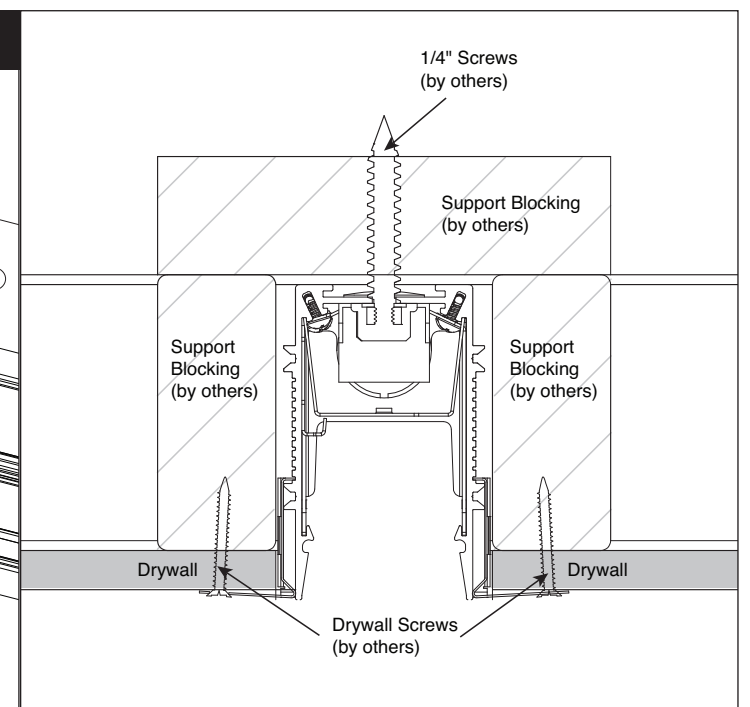
**B.** Alternate option from top.



Install 1/4" washers (by others) and 1/4"-20 nuts (by others) onto 1/4"-20 threaded rod (by others). **If adding a joiner/ender, allow the luminaire to hang below ceiling while still having it supported by the threaded rod, washers and nuts.**

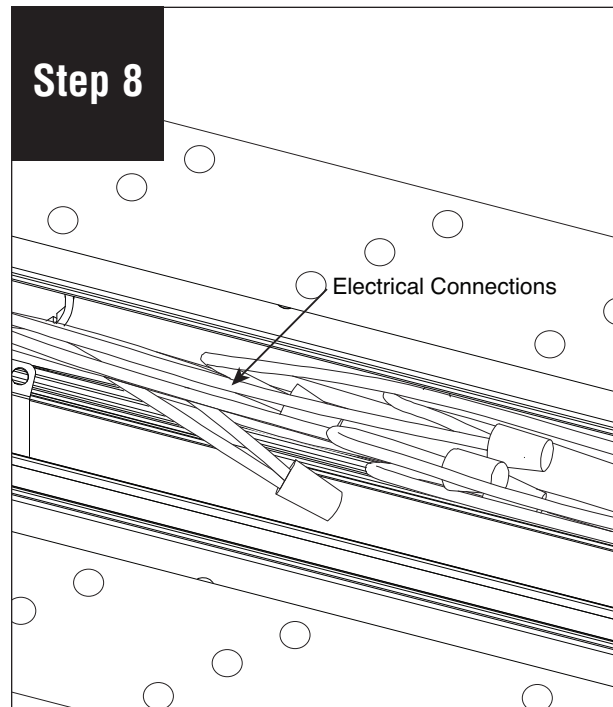


**Alternate mounting option** - Install 1/4" screw (by others) through mounting hole into proper structurally supported blocking (by others).

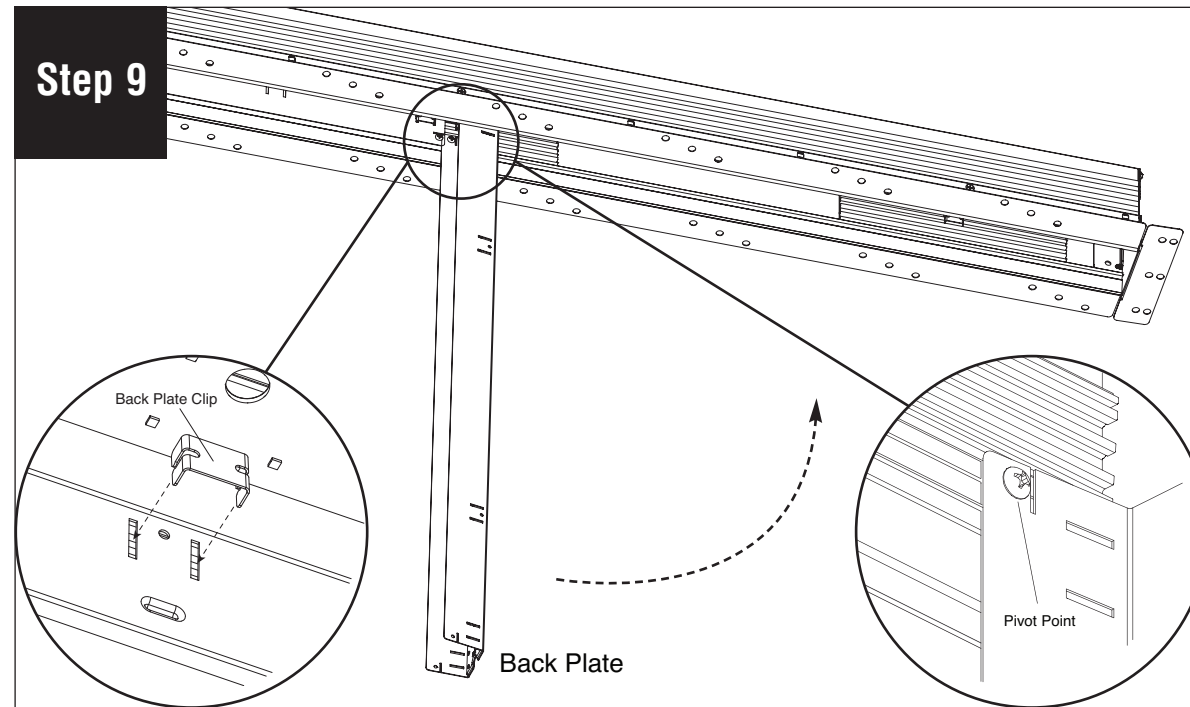


**Note:** All power connections to be installed to local/national codes by a Certified Electrician.

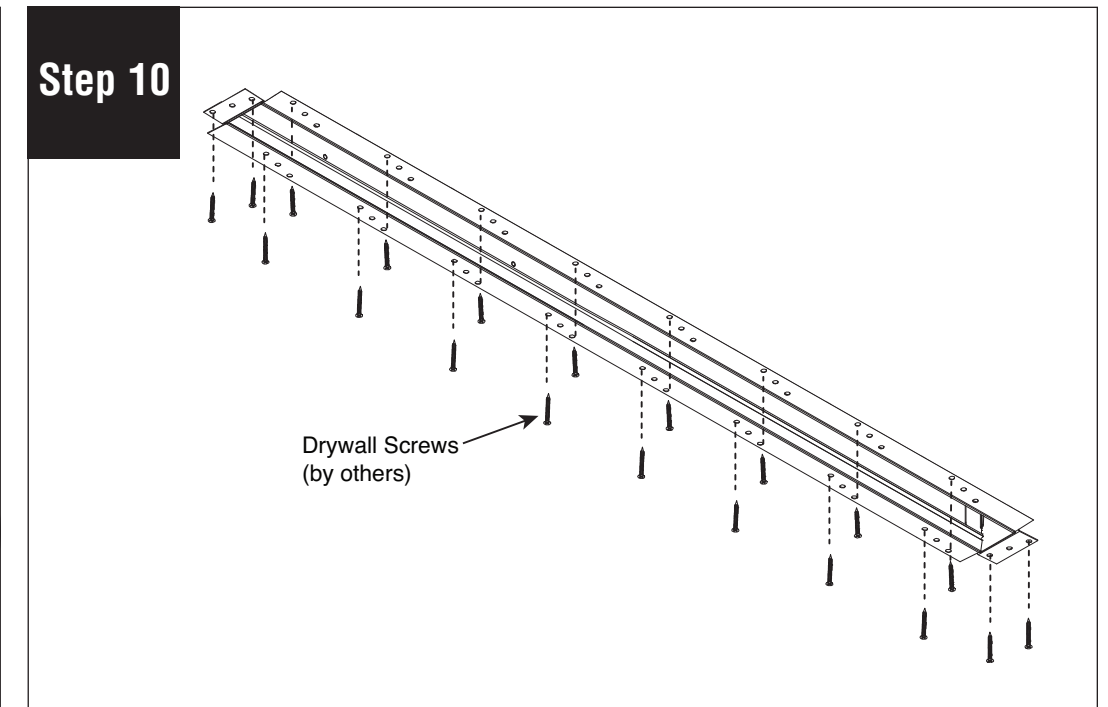
# HP-2 Recessed Flush Diffuser Spackle Flange Starter/Independent Installation Instructions



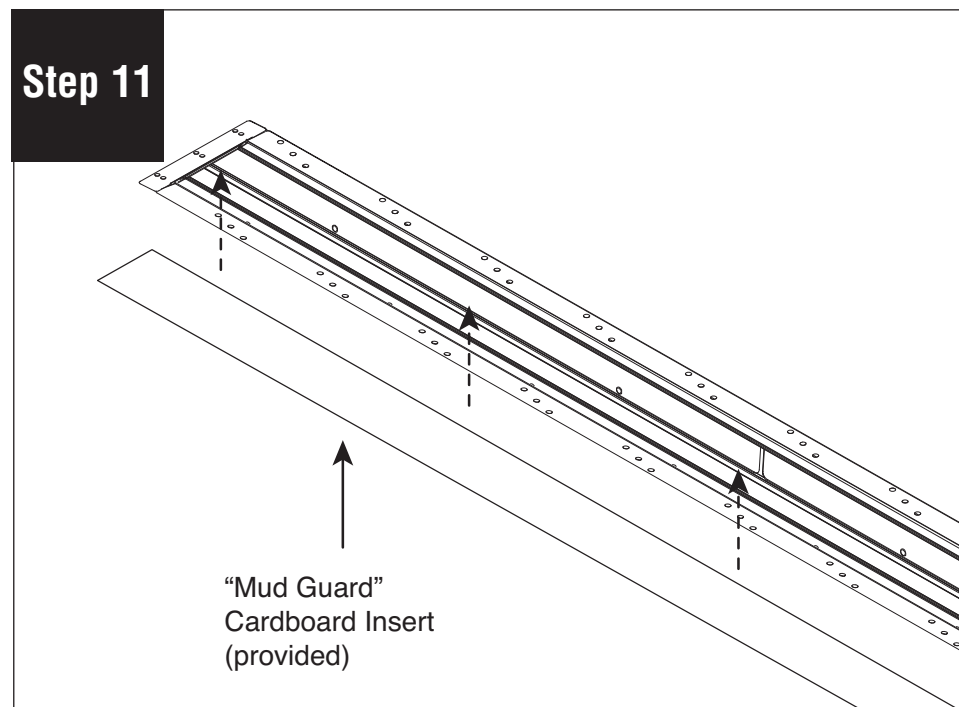
Make electrical connections.



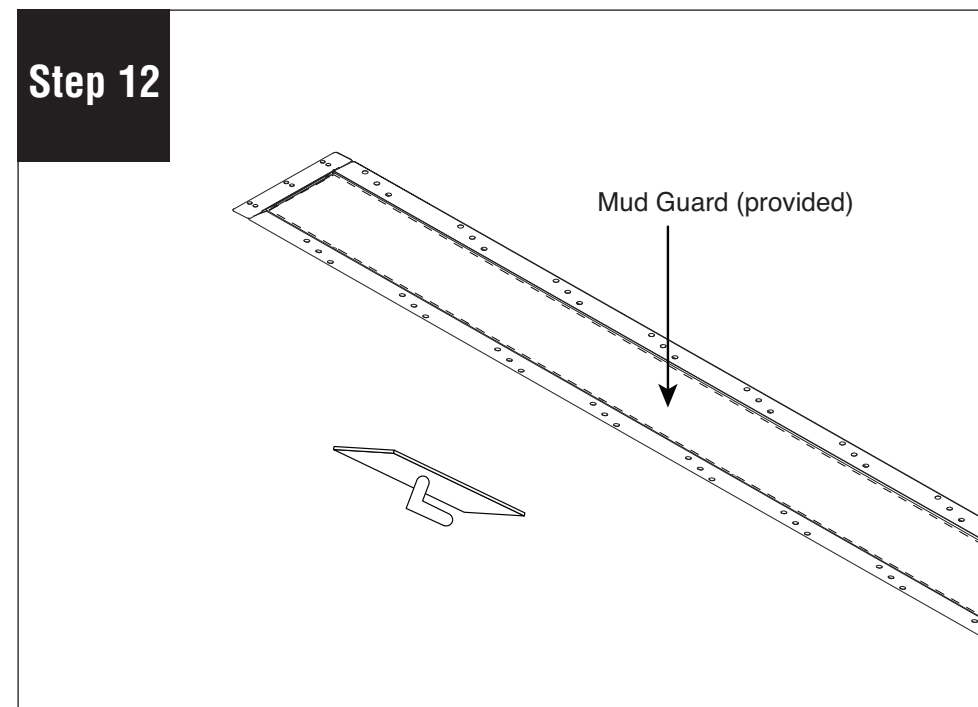
Replace back plates by holding them in their original position and pushing the clips back in. Make sure wire connections are not pinched. (If 1 ft. back plate assembly is near joint, reconnect feed harness to LED board.)



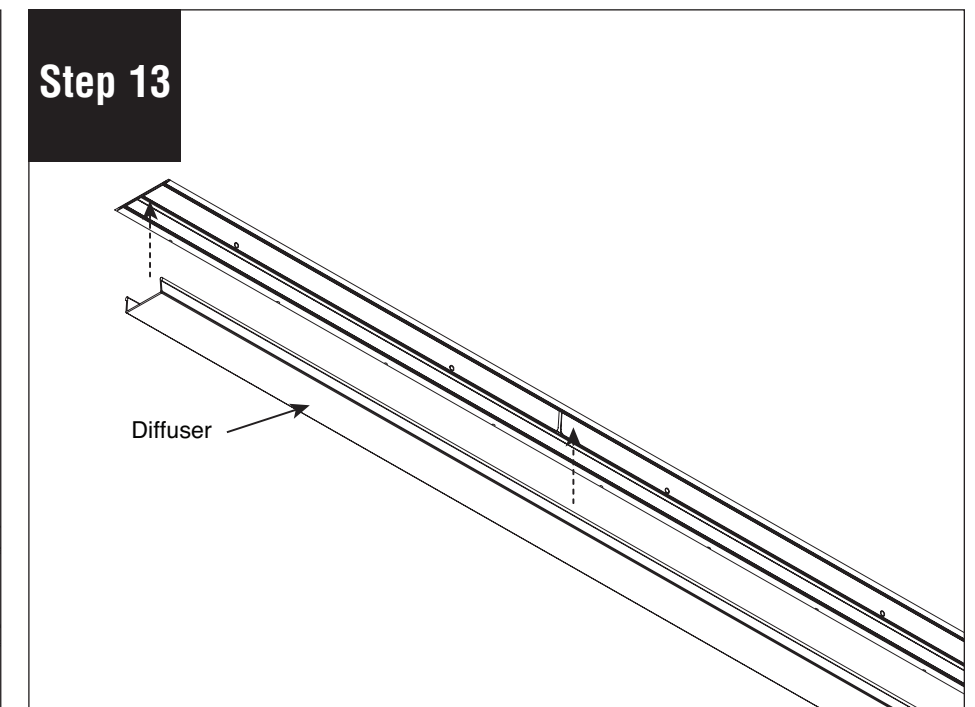
Fasten luminaire to the ceiling with drywall screws (by others).



Install the "mud guard" cardboard insert (provided) to help prevent spackle from getting into the luminaire.



Use spackle to cover up the flanges, then remove the mud guard when all spackling is complete.




Reinstall diffuser and turn power on to luminaire.

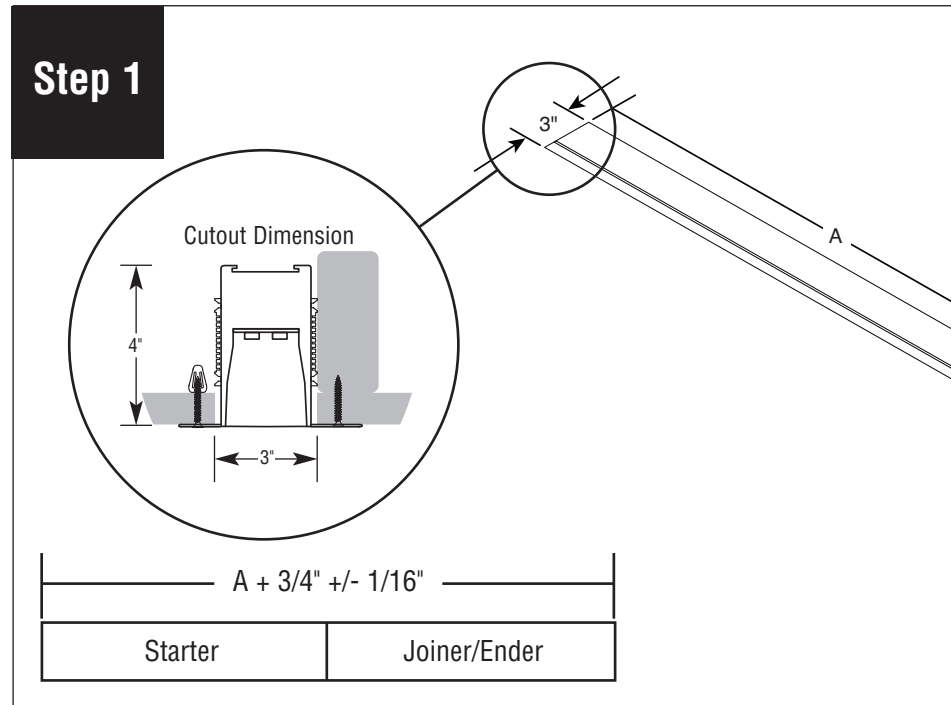
**Note:** All power connections to be installed to local/national codes by a Certified Electrician.

# HP-2 Recessed Flush Diffuser Spackle Flange Joiner/Ender Installation Instructions

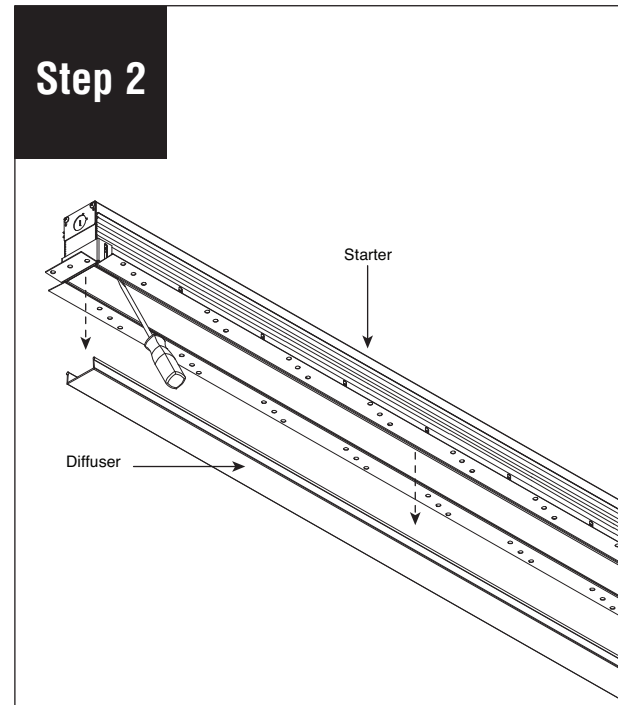
Scan QR code for helpful video(s)



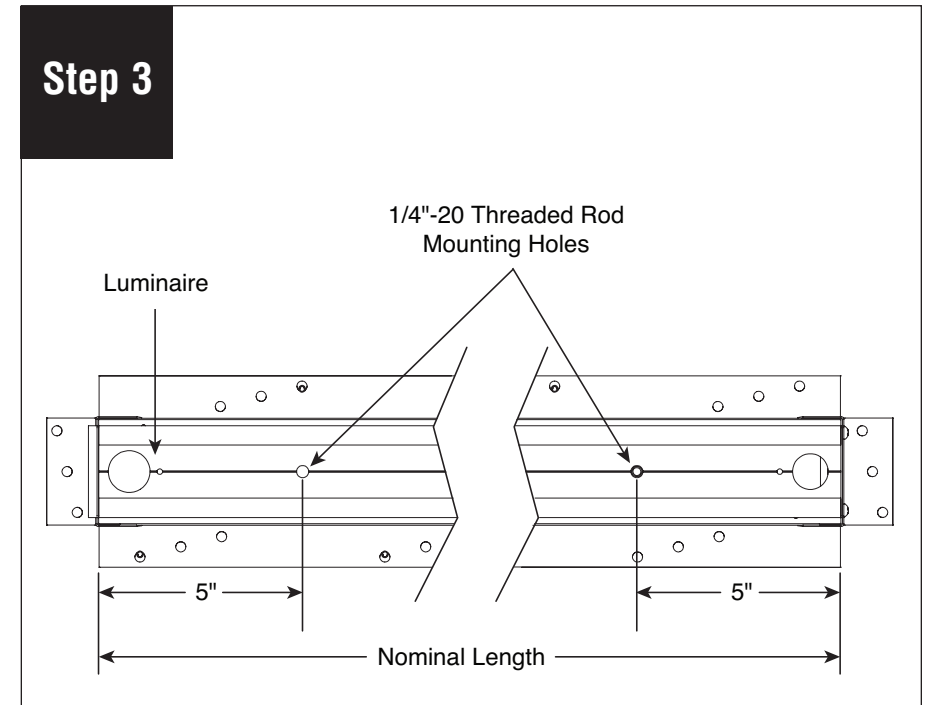
0 - 10V Dimming



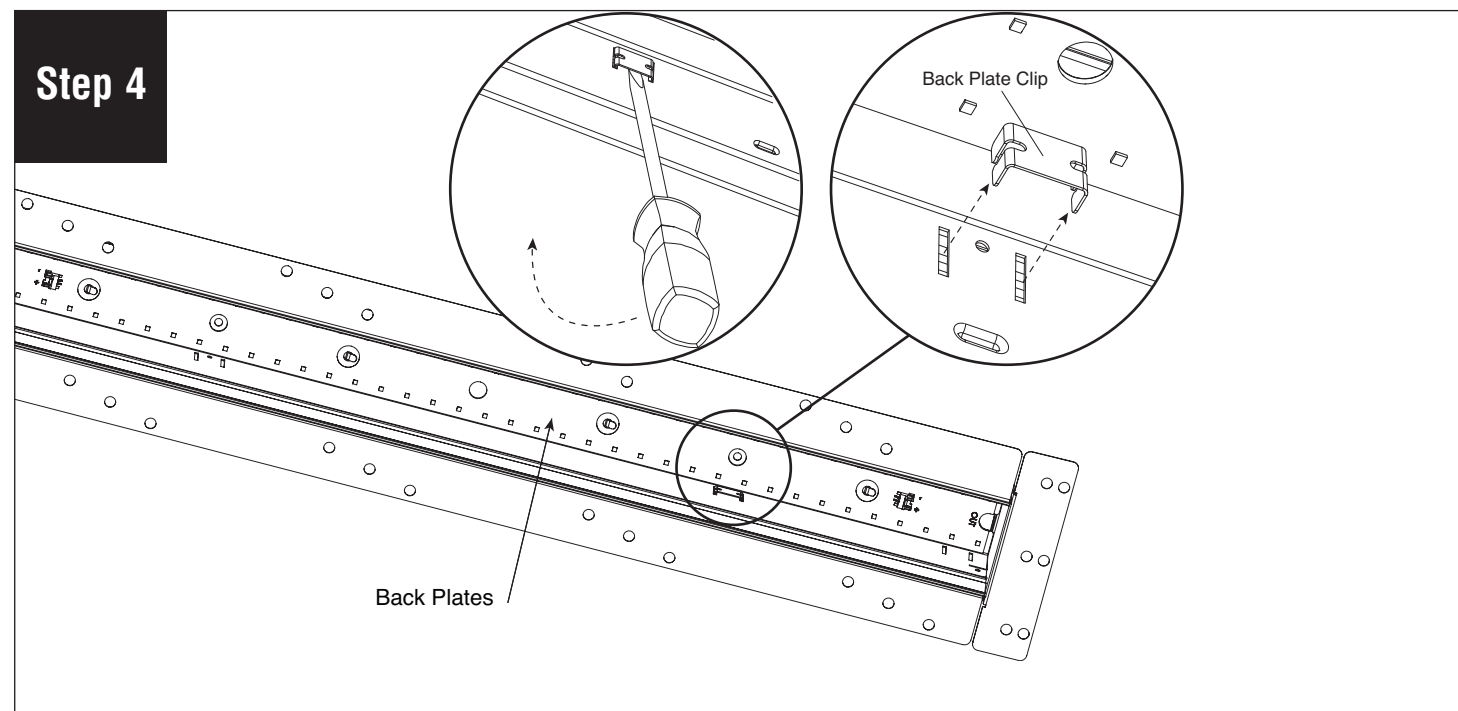
Add 3/4" to body/row length (A), +/- 1/16" to simplify installation. Luminaire needs to be installed next to support blocking.



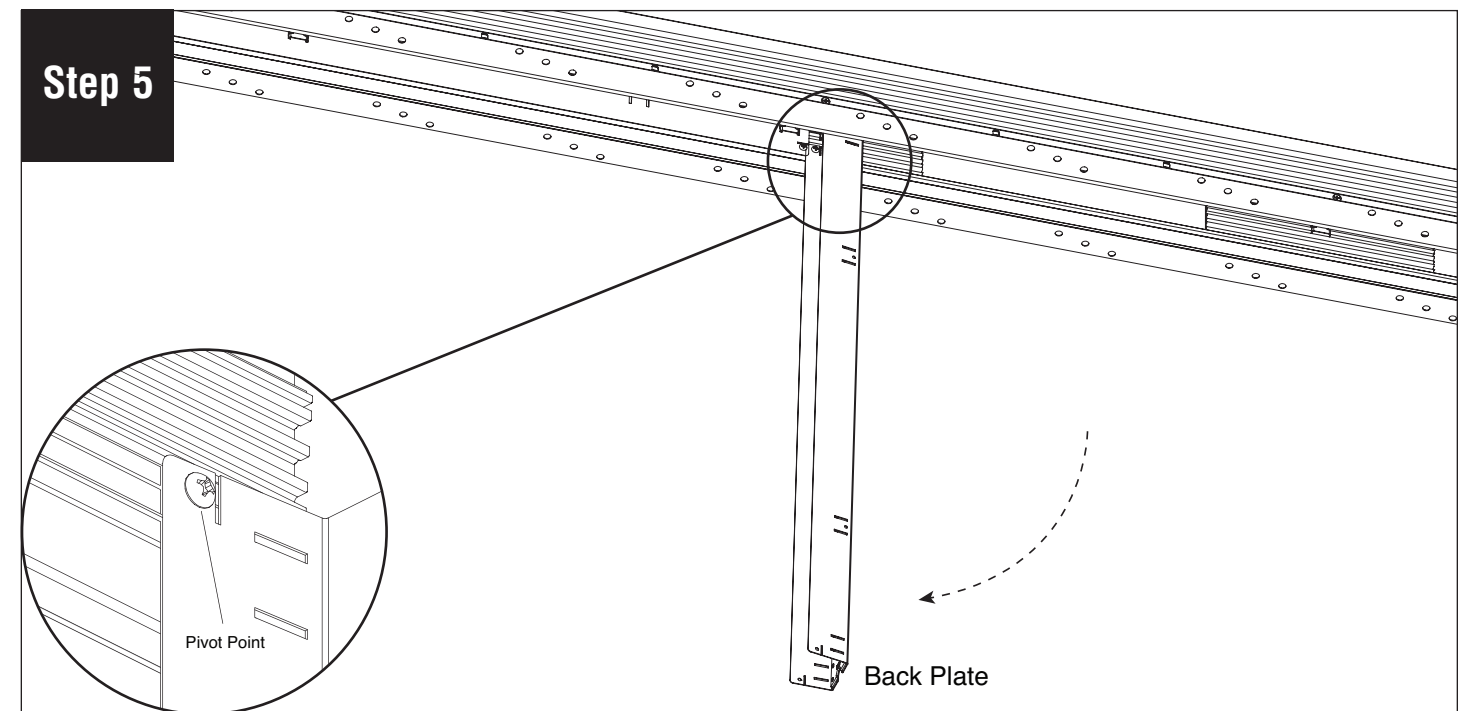
Remove diffuser and set aside to prevent it from getting dirty or damaged.



Refer to threads and feed hole locations above before connecting luminaire wires.



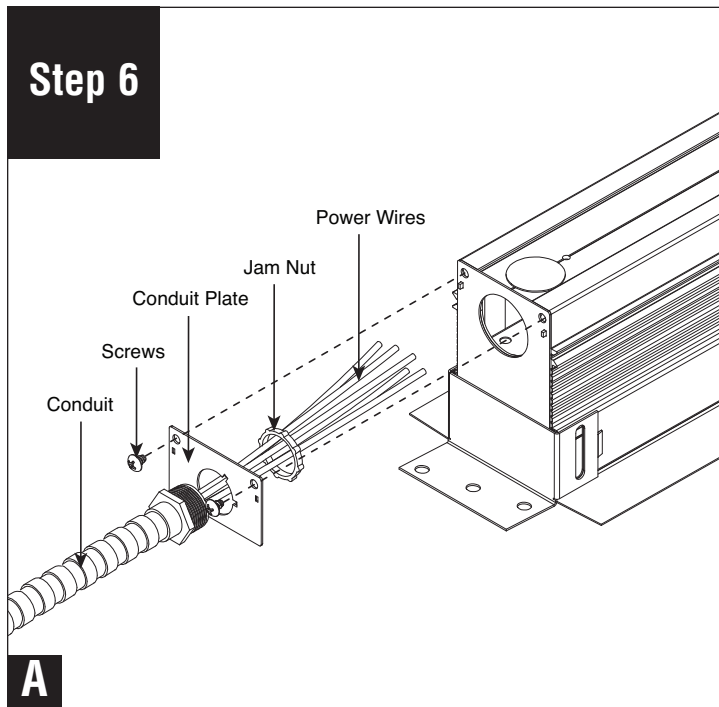
Remove back plate clips (provided) to release back plate. We recommend using a flat head screwdriver to get them loose. **CAUTION: Do not lose these pieces.**



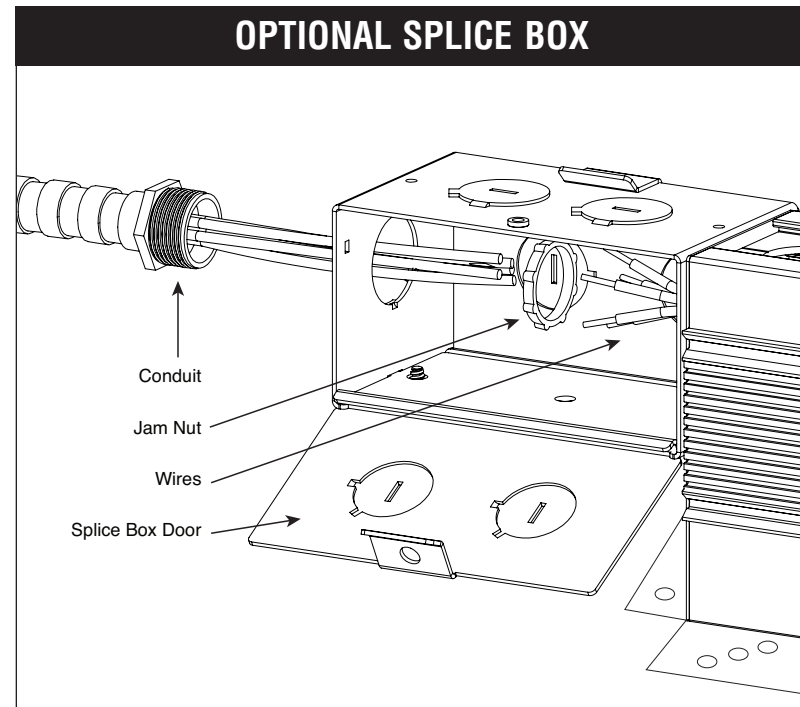
Align luminaire within rough opening in drywall and 1/4"-20 threaded rod (by others). Slowly swing down back plate. **CAUTION: Do not twist back plate when swinging down - it will come out of the support extrusion.** Note that the screw shown is the pivot point and the back plate can be slid a few inches either way for ease of access to the driver space.

**Note:** All power connections to be installed to local/national codes by a Certified Electrician.

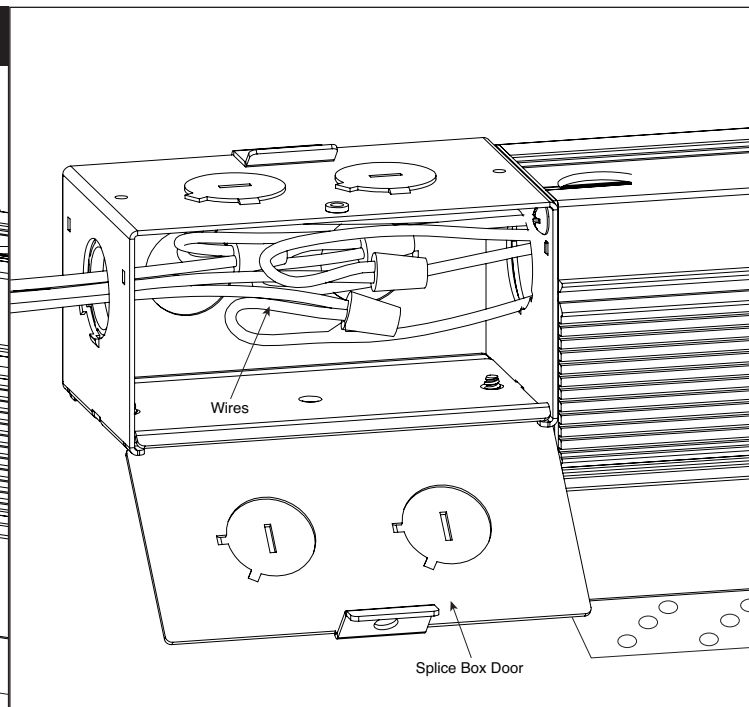
# HP-2 Recessed Flush Diffuser Spackle Flange Joiner/Ender Installation Instructions



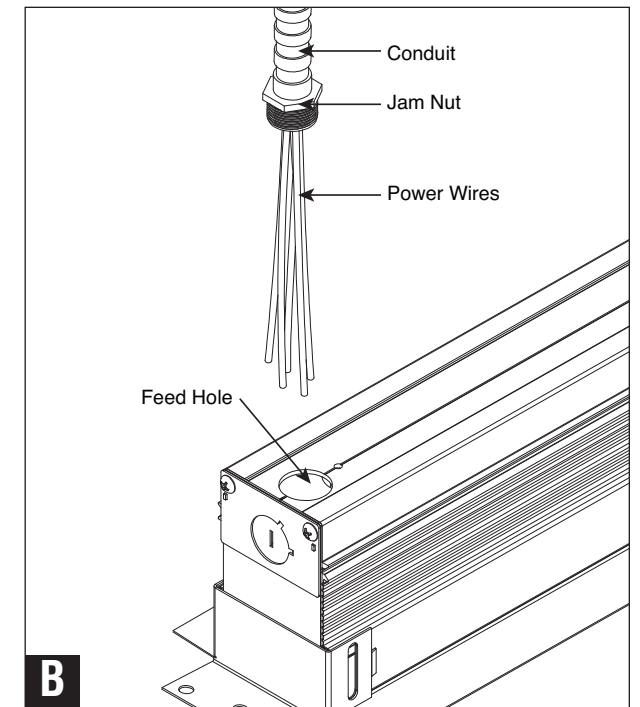
**A.** Standard installation. Remove conduit plate from luminaire. Remove jam nut from conduit then insert wires and connector through feed hole. Secure conduit with jam nut.



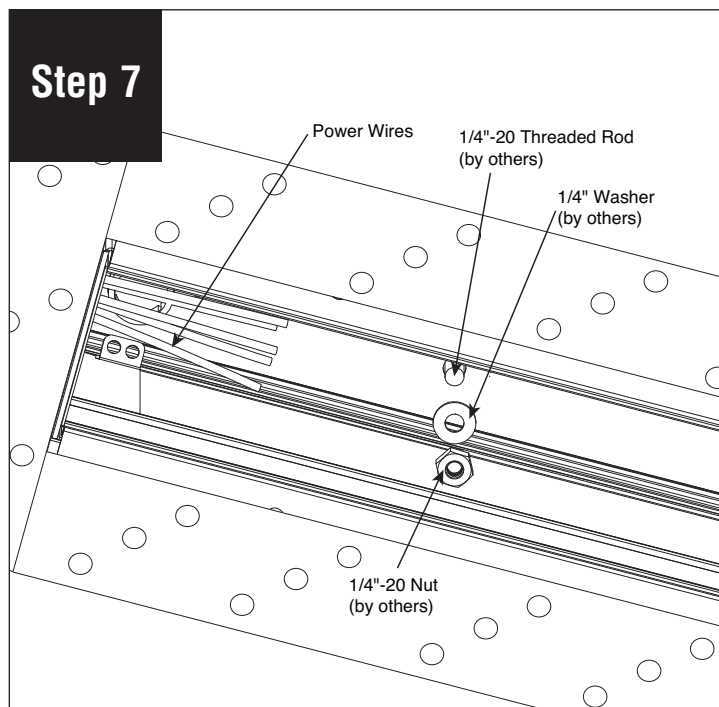
Open optional splice box door to access wiring.



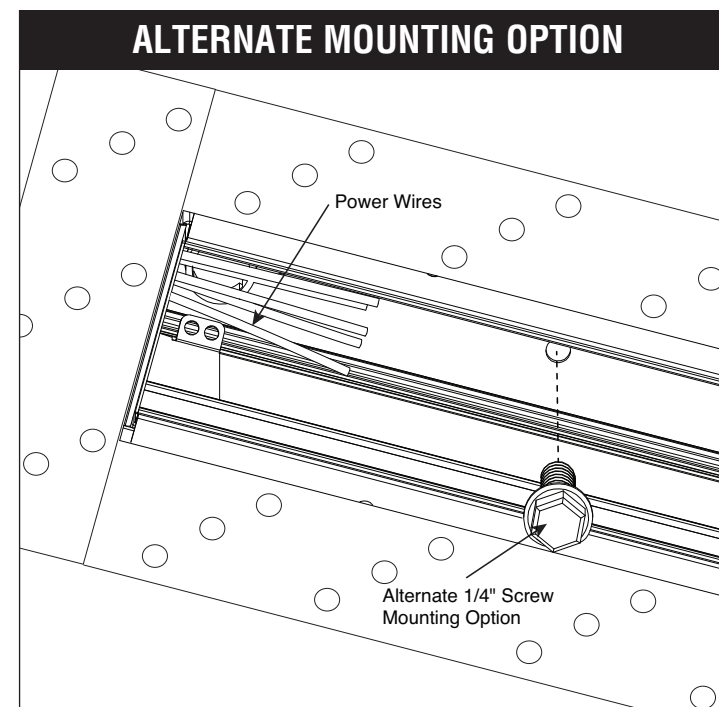
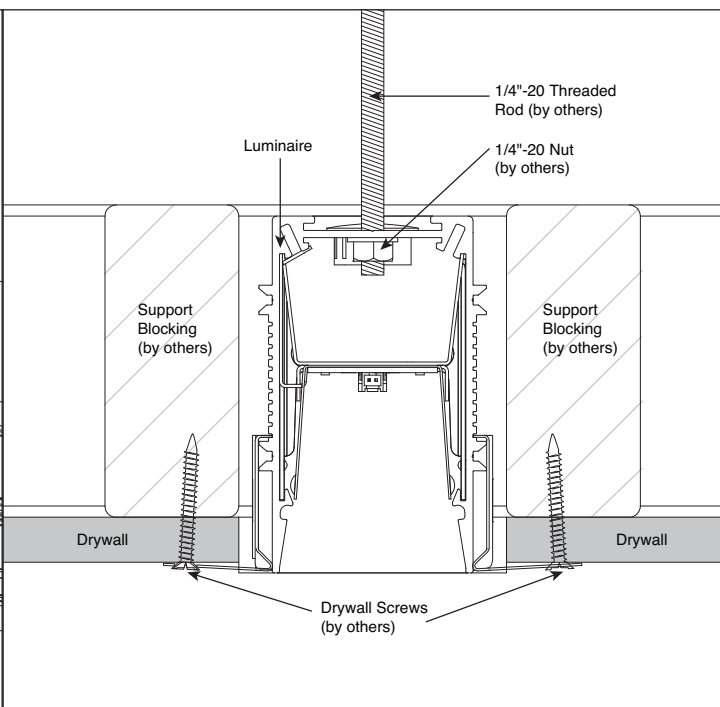
Run power cable through knock-out. Make electrical connection. Secure conduit on to splice box with jam nut and close splice box door.



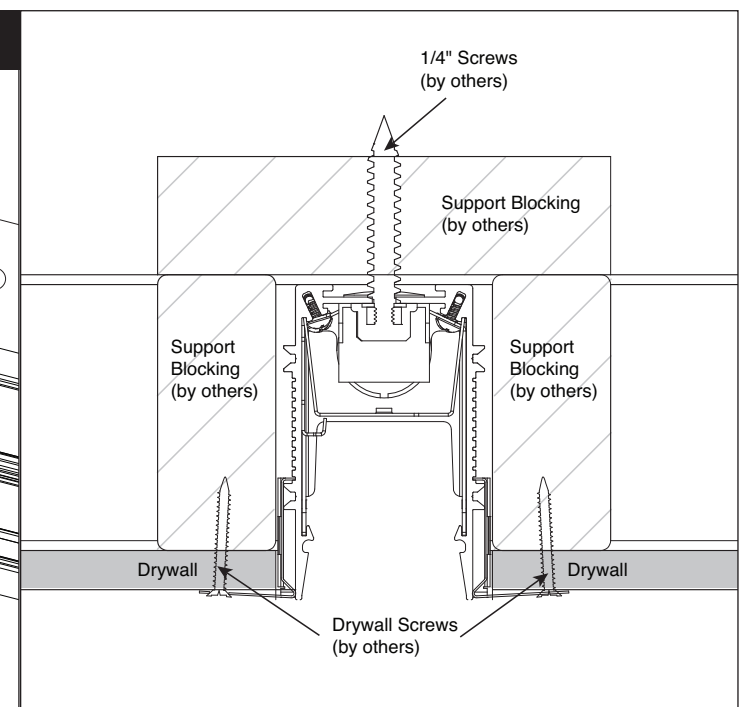
**B.** Alternate option from top.



Install 1/4" washers (by others) and 1/4"-20 nuts (by others) onto 1/4"-20 threaded rod (by others). **When adding a joiner/ender, allow the luminaire to hang below ceiling while still having it supported by the threaded rod, washers and nuts.**

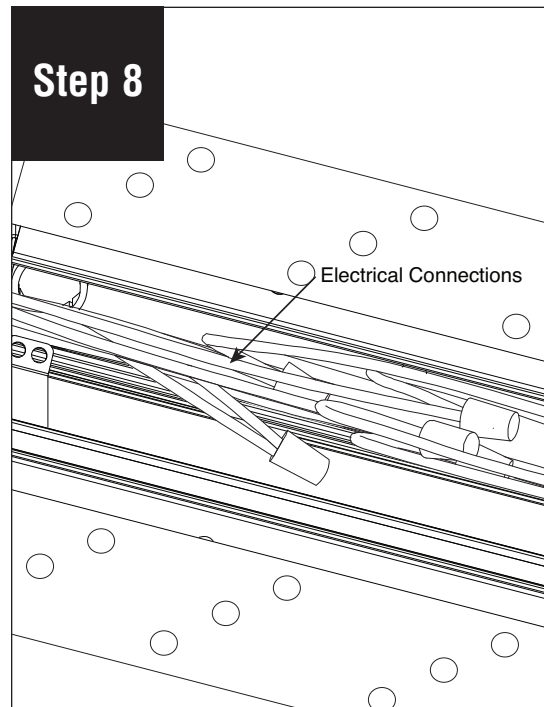


**Alternate mounting option** - Install 1/4" screw (by others) through mounting hole into proper structurally supported blocking (by others).

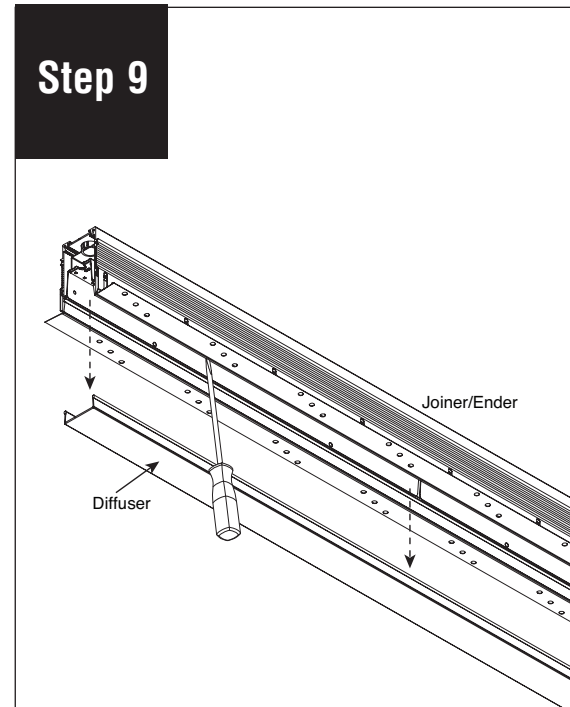


**Note:** All power connections to be installed to local/national codes by a Certified Electrician.

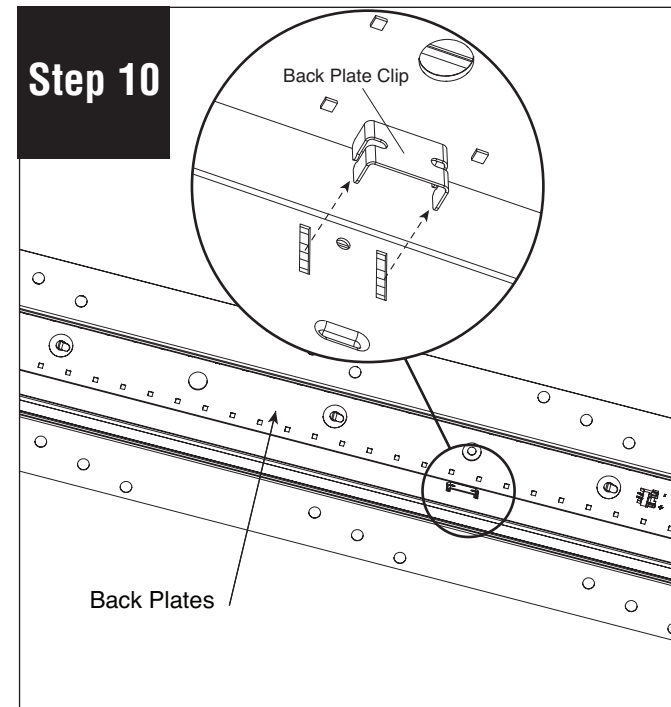
# HP-2 Recessed Flush Diffuser Spackle Flange Joiner/Ender Installation Instructions



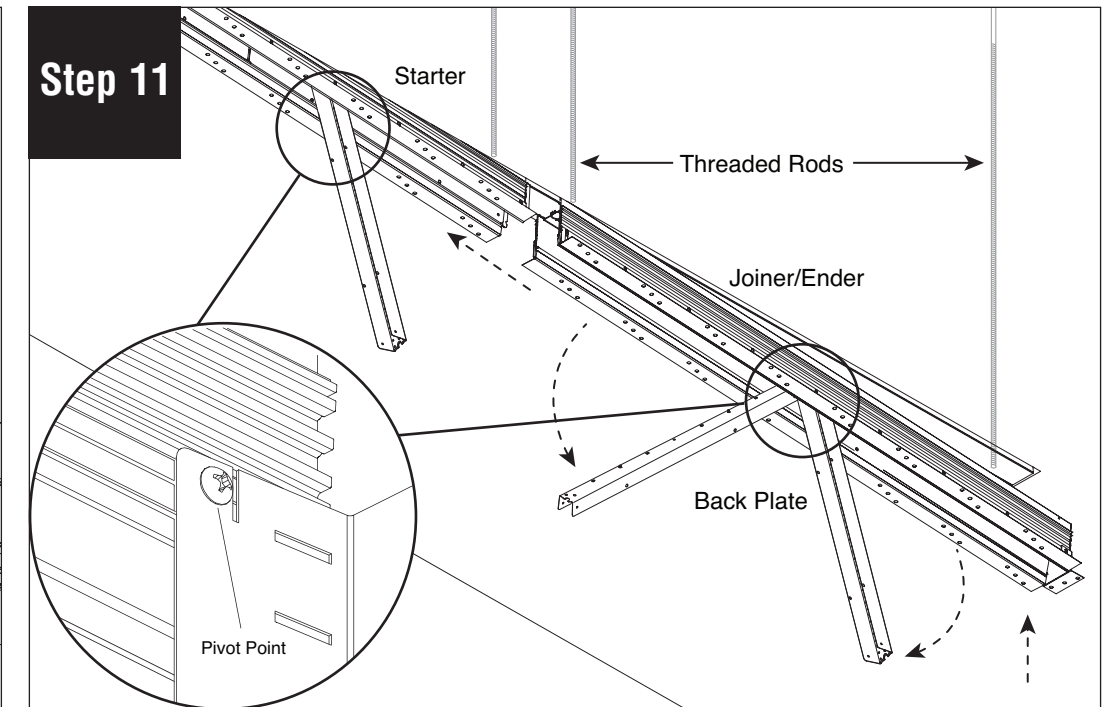
Make electrical connections.



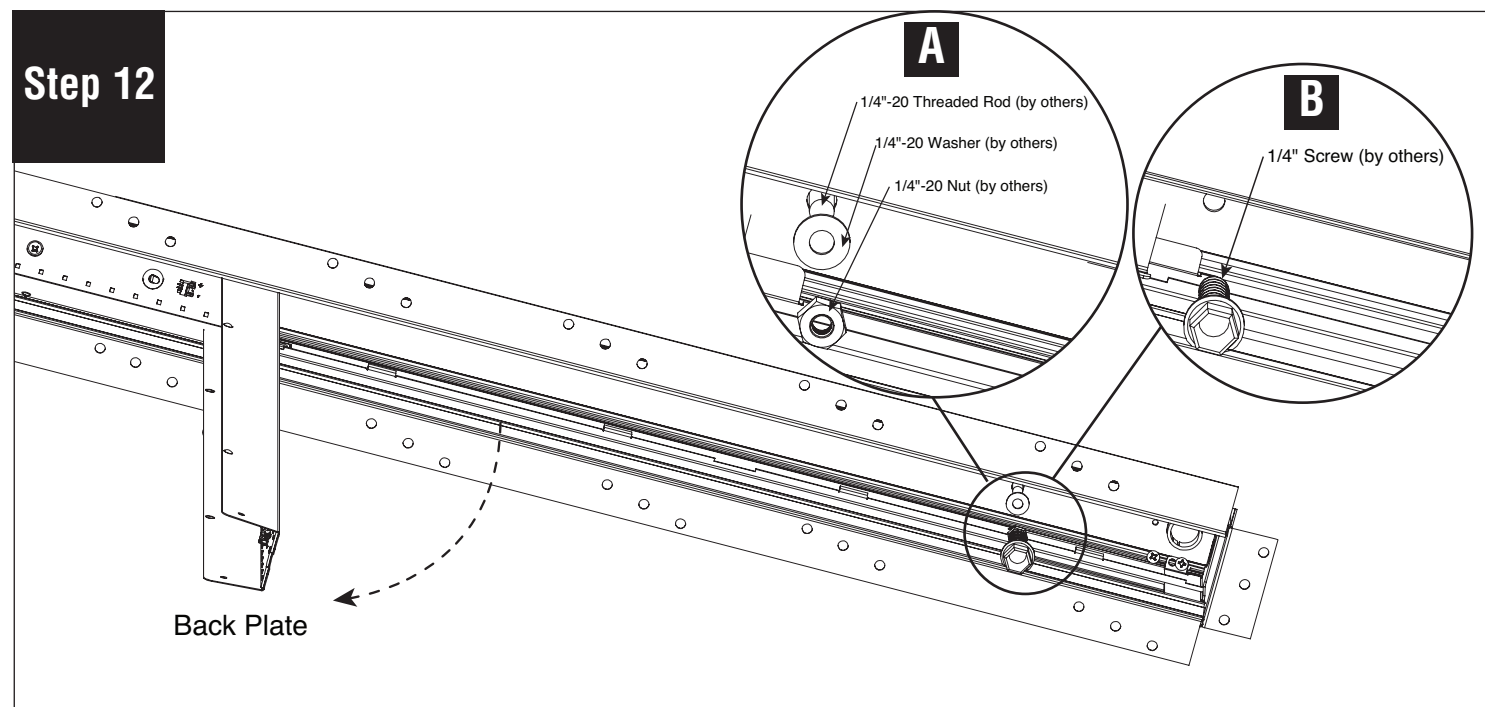
Remove diffuser from joiner/ender and set aside to prevent it from getting dirty or damaged.



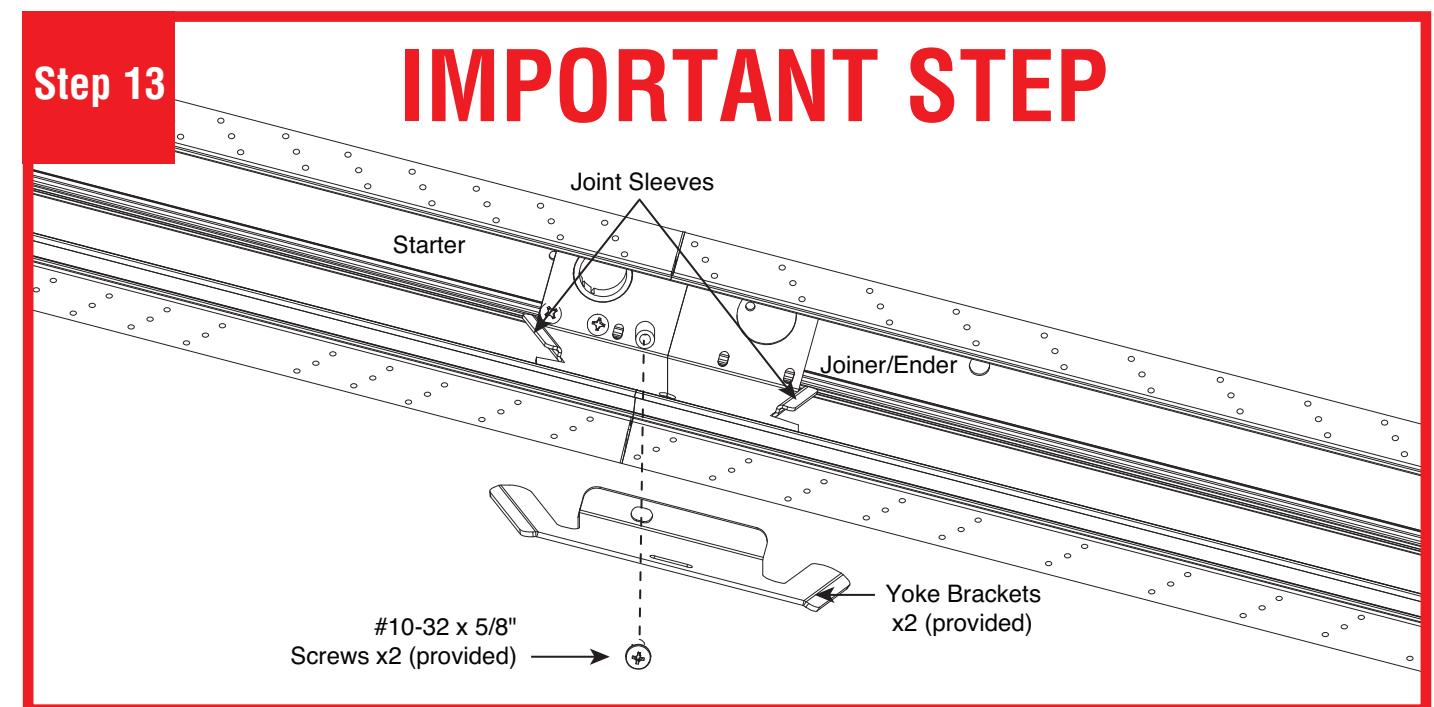
Remove back plate clips (provided) to release back plates. We recommend using a flat head screwdriver to get them loose. **CAUTION: Do not lose these pieces.**



Align luminaire within rough opening in drywall and 1/4"-20 threaded rod. Slowly swing down back plates. **CAUTION: Do not twist back plate when swinging down - it will come out of the support extrusion.**



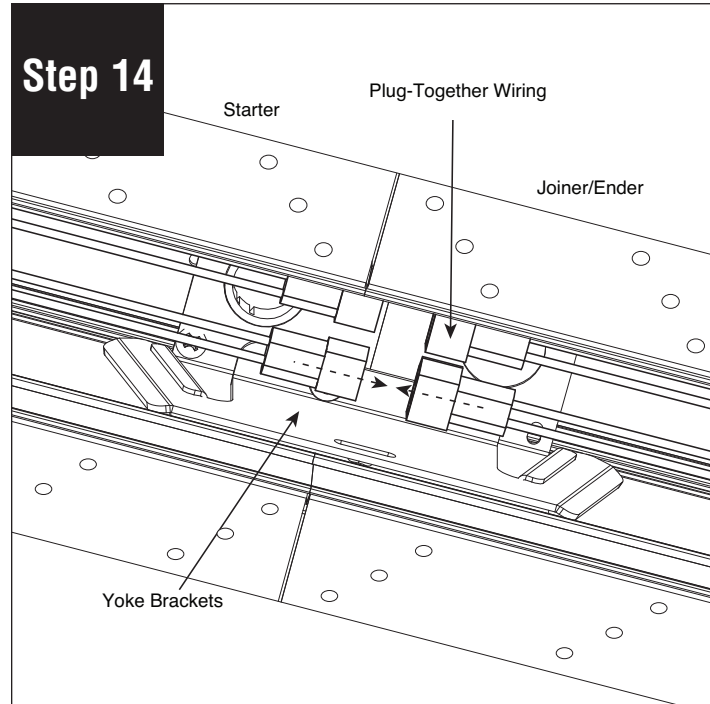
**A.** Install 1/4" washers (by others) and 1/4"-20 nuts (by others) onto 1/4"-20 threaded rod (by others). **B.** Alternate mounting option - Install 1/4" screw (by others) through mounting hole into proper structurally supported blocking (by others) - refer to step 7 for details.



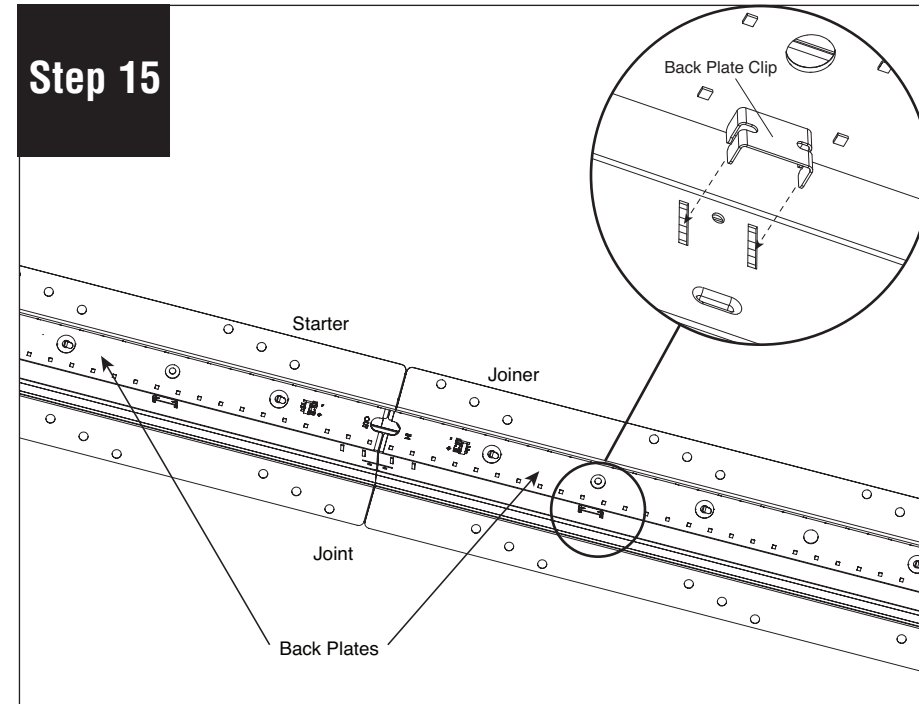
**IMPORTANT STEP:** Secure joint with two yoke brackets (provided) using #10-32 x 5/8" screws (provided). **CAUTION:** When installed correctly these brackets will pull luminaires together to make a tight joint. Do not over-tighten.

**Note:** All power connections to be installed to local/national codes by a Certified Electrician.

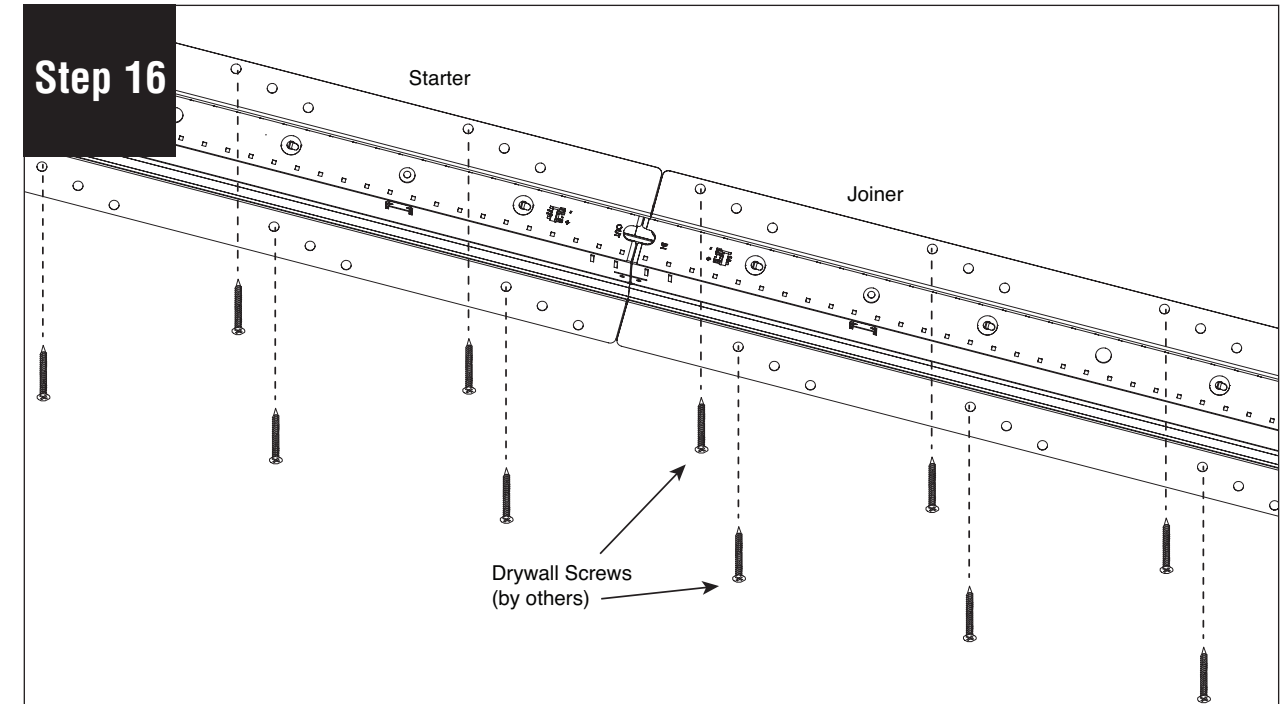
# HP-2 Recessed Flush Diffuser Spackle Flange Joiner/Ender Installation Instructions



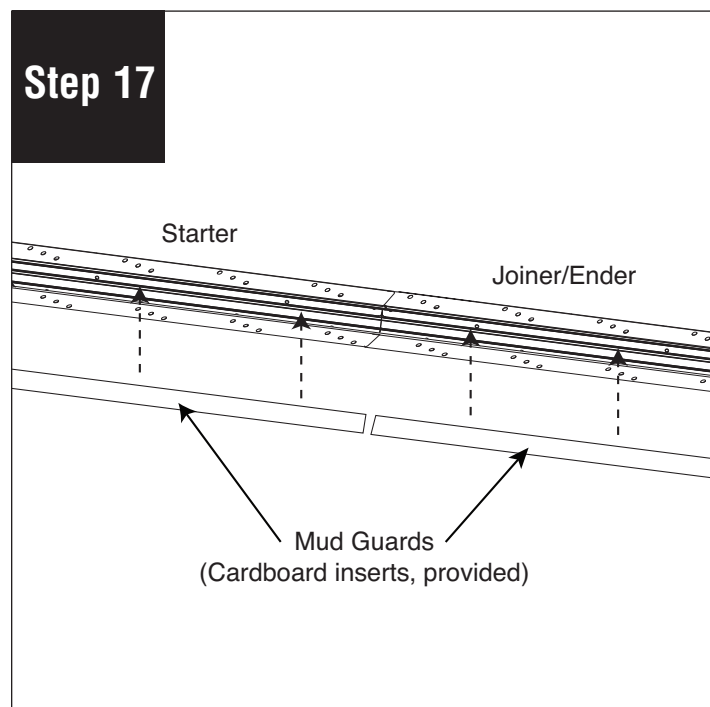
Connect plug-together wiring.



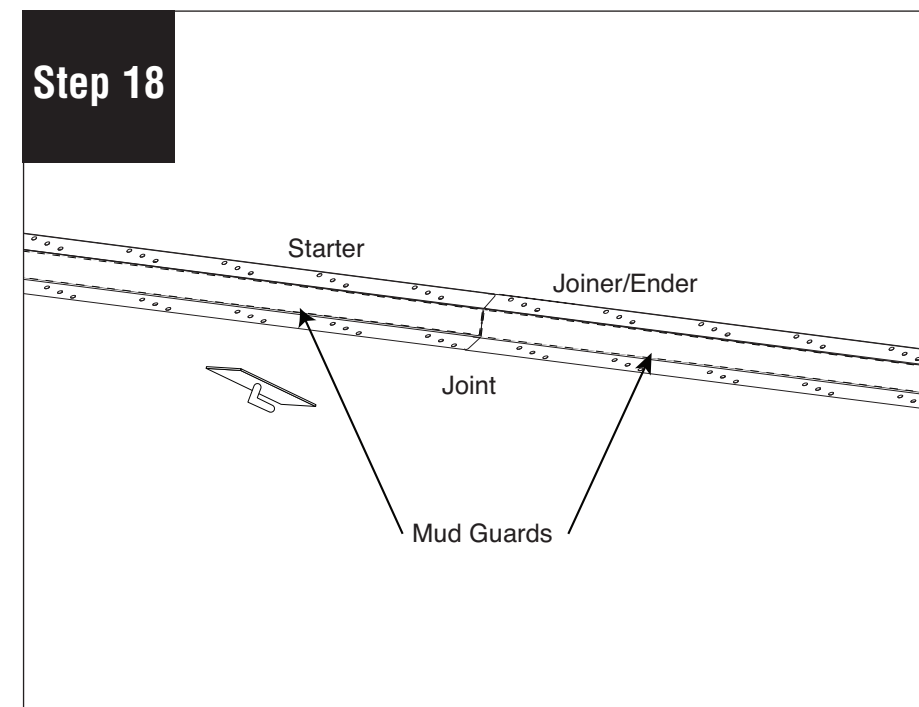
Replace all back plates by holding them in their original position and pushing the clips back in. Make sure wire connections are not pinched. (If 1 ft. back plate assembly is near joint, reconnect feed harness to LED board.)



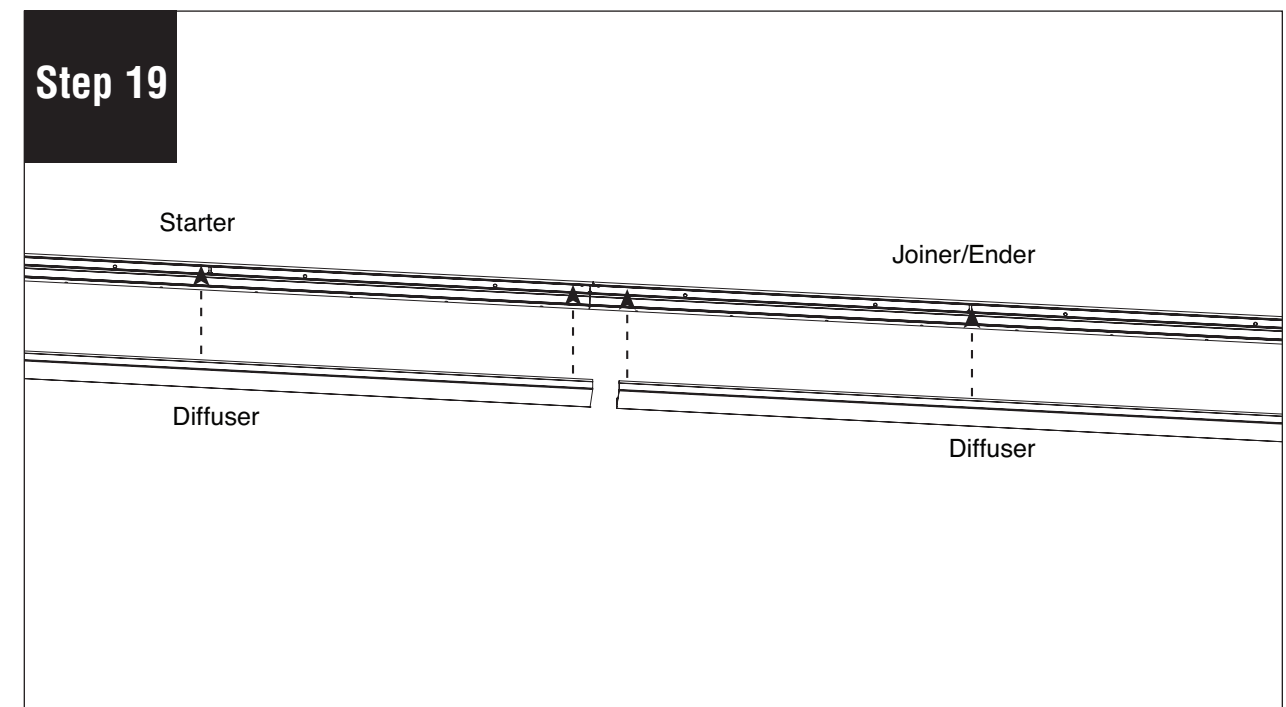
Fasten luminaires to the ceiling with drywall screws (by others).



Insert the "mud guard" cardboard inserts (provided) to help prevent spackle from getting into the luminaires.



Use spackle to cover up the flanges, then remove the mud guards when spackling is complete.



Replace diffusers and turn power on to luminaire.

**Note:** All power connections to be installed to local/national codes by a Certified Electrician.