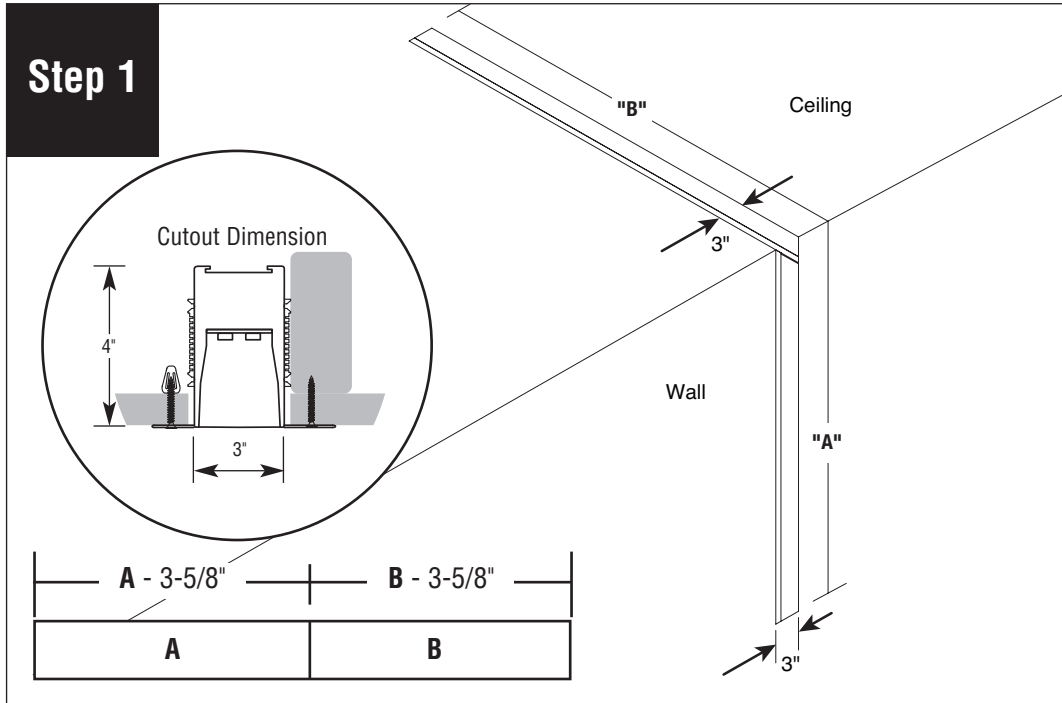


HP-2 Recessed Ceiling to Wall Spackle Flange Installation Instructions

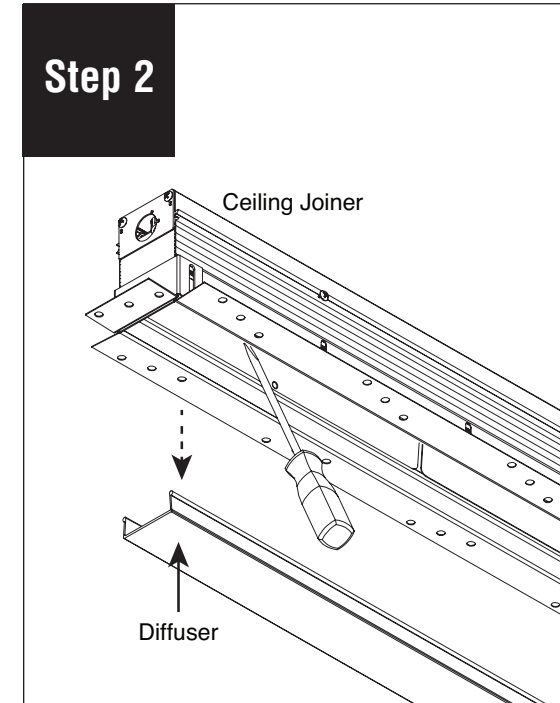
Scan QR code for helpful video(s)



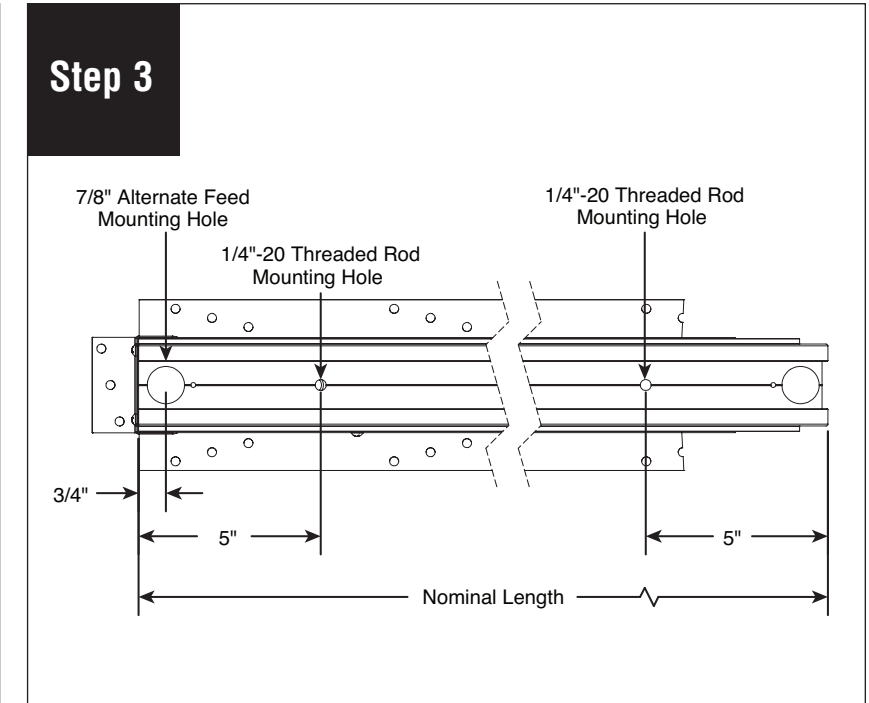
0 - 10V Dimming



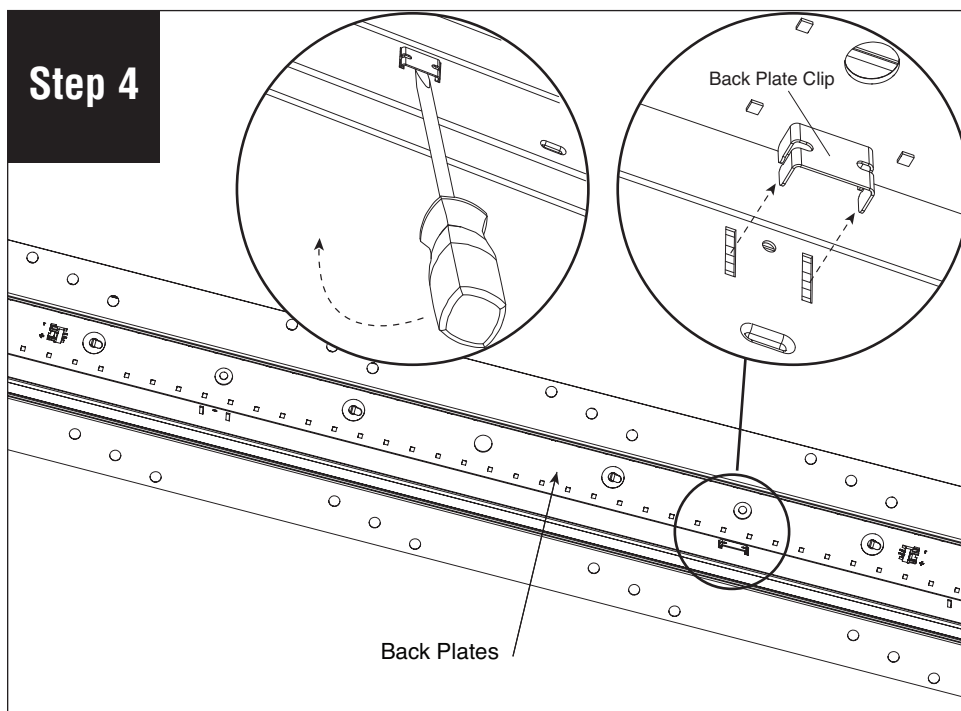
Subtract 3-5/8" from body/row length (A) and body/row length (B) to simplify installation. Luminaire needs to be installed next to support blocking. **NOTE:** Tolerances on dimensions are +/- 1/16". Please contact factory for dimensions of tailored luminaires with non-90° angles.



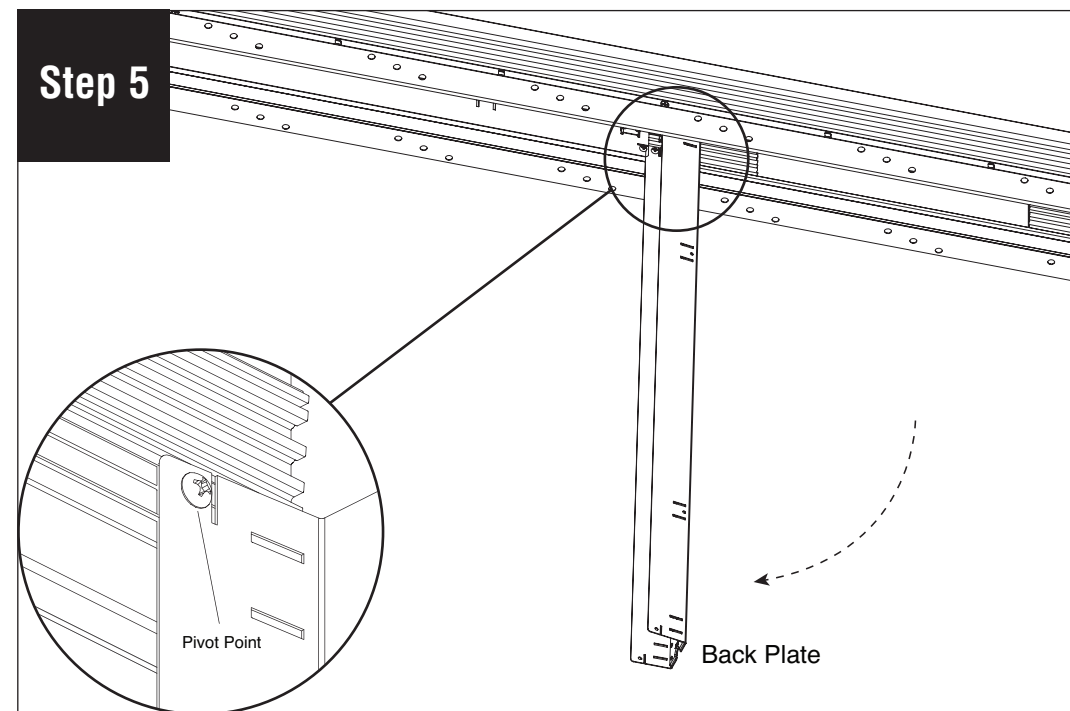
Remove diffuser ceiling joiner luminaire and set it aside to prevent it from getting dirty or damaged during installation.



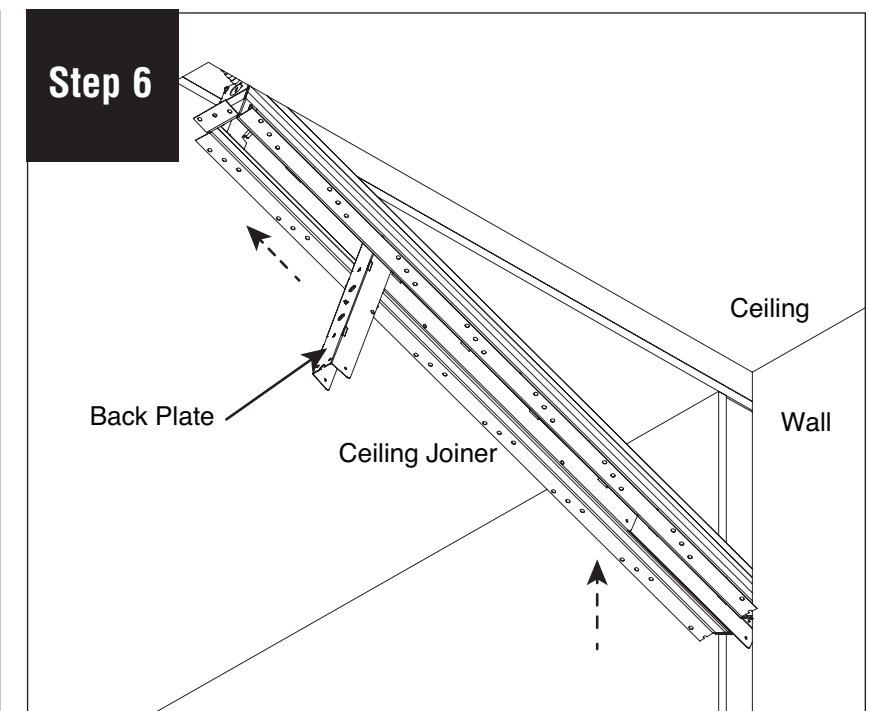
Refer to threads and feed hole locations above before connecting luminaire wires.



Remove back plate clips (provided) to release back plates. We recommend using a flat head screwdriver to get them loose. **CAUTION: Do not lose these pieces.**



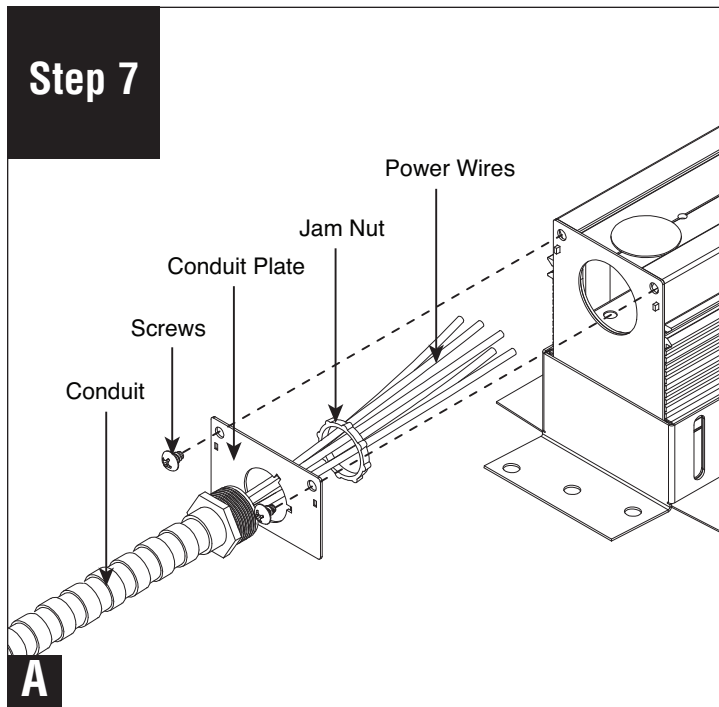
Slowly swing down back plates. **CAUTION: Do not twist back plate when swinging down - it will come out of the support extrusion.** Note that the screw shown is the pivot point and the back plate can be slid a few inches either way for ease of access to the driver space.



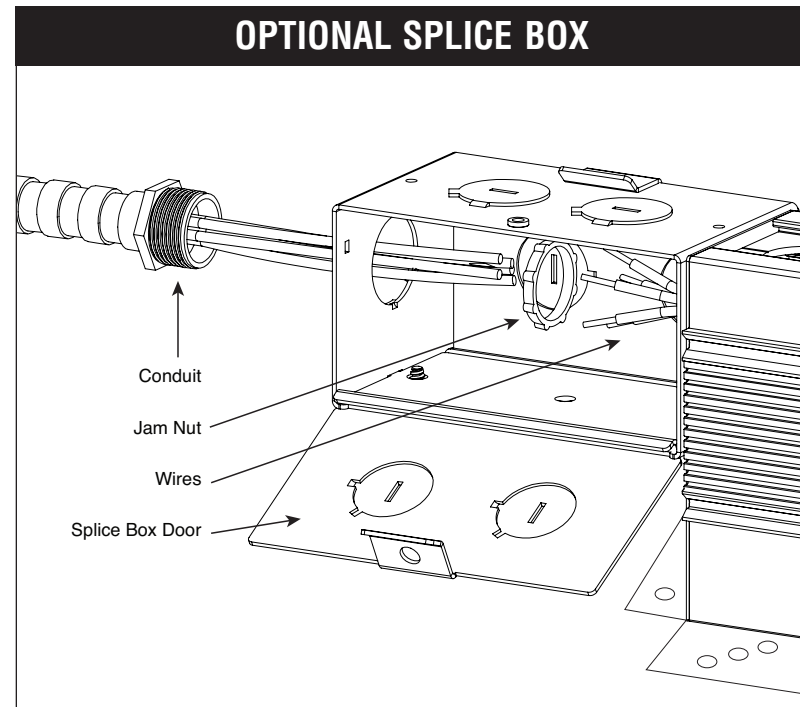
Align ceiling joiner with rough opening, then insert luminaire into ceiling.

Note: All power connections to be installed to local/national codes by a Certified Electrician.

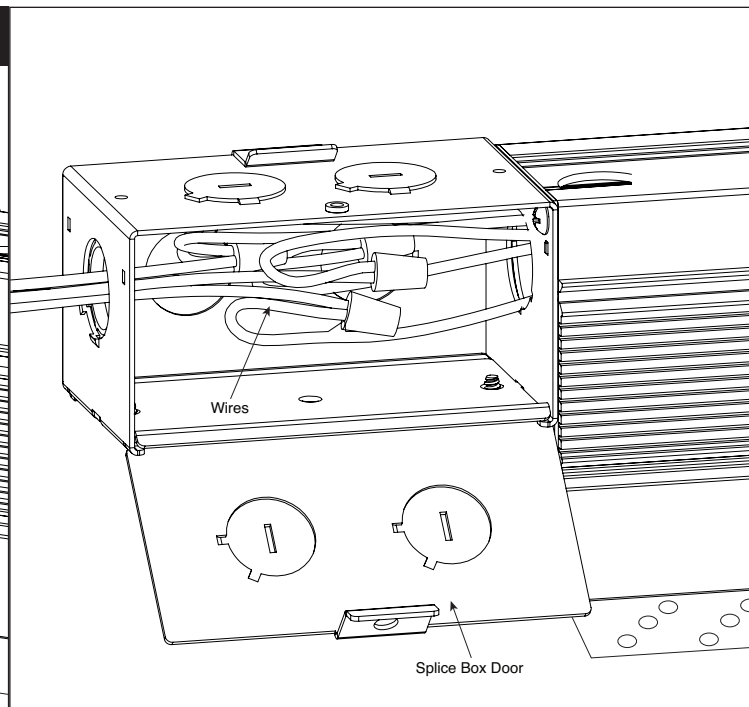
HP-2 Recessed Ceiling to Wall Spackle Flange Installation Instructions



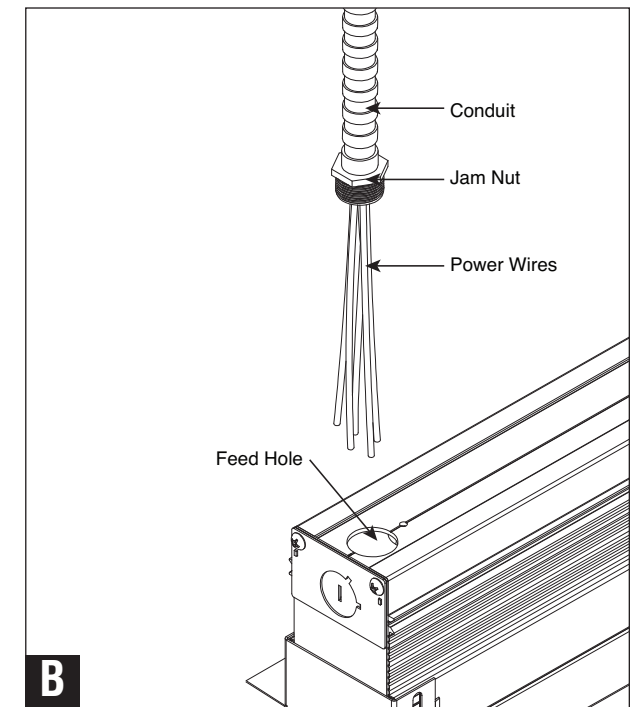
A. Standard installation. Remove conduit plate from luminaire. Remove jam nut from conduit then insert wires and connector through feed hole. Secure conduit with jam nut.



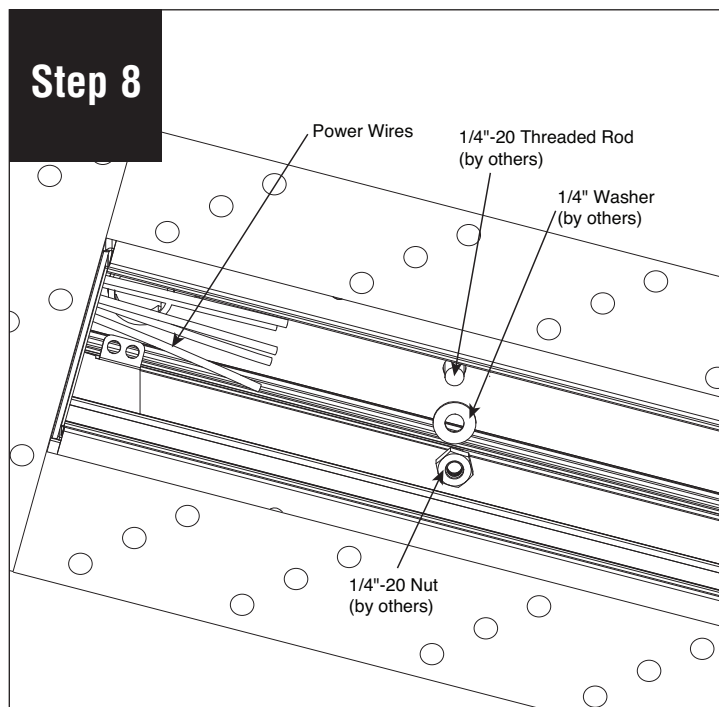
Open optional splice box door to access wiring.



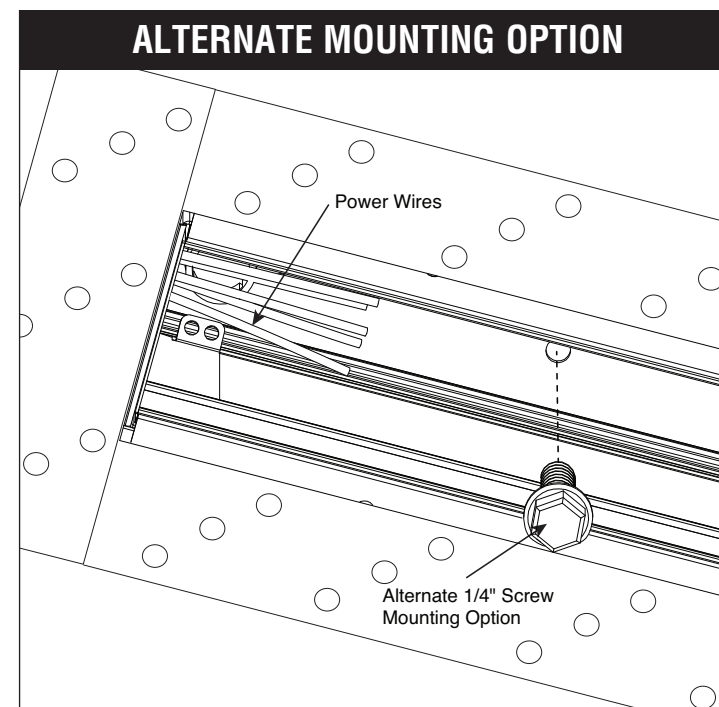
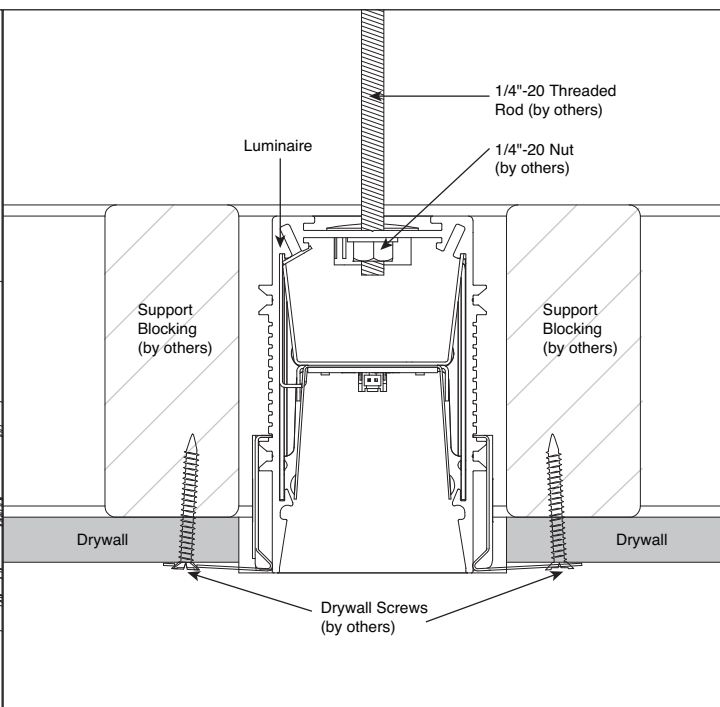
Run power cable through knock-out. Make electrical connection. Secure conduit on to splice box with jam nut and close splice box door.



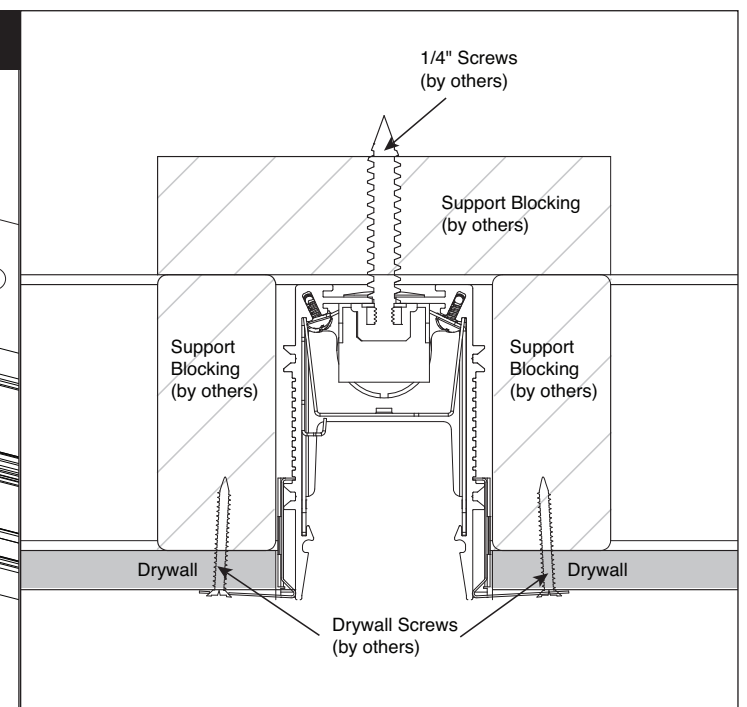
B. Alternate option from top.



On both ends of the luminaire, install 1/4" washers (by others) and 1/4"-20 nuts (by others) onto 1/4"-20 threaded rod (by others).

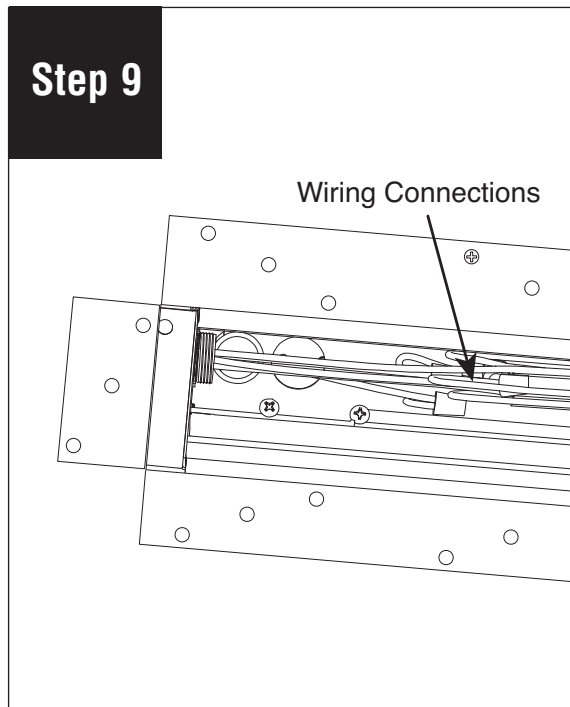


Alternate mounting option - Install 1/4" screw (by others) through mounting hole into proper structurally supported blocking (by others).

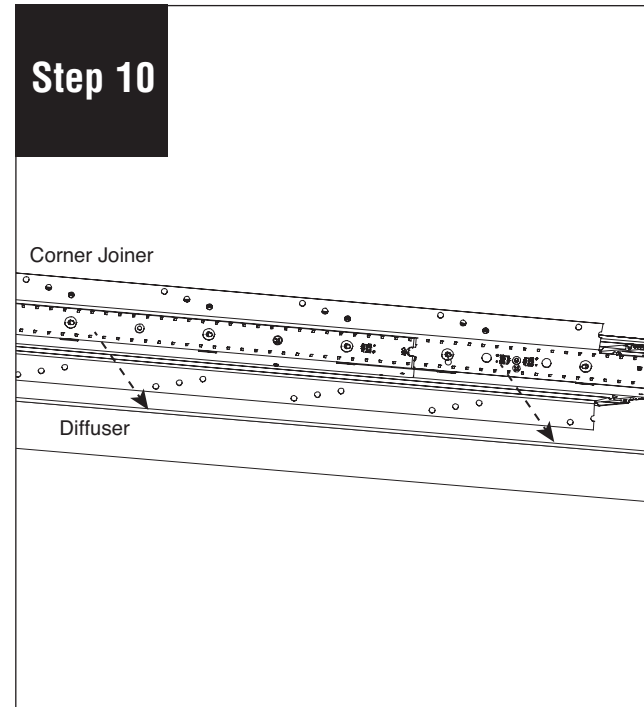


Note: All power connections to be installed to local/national codes by a Certified Electrician.

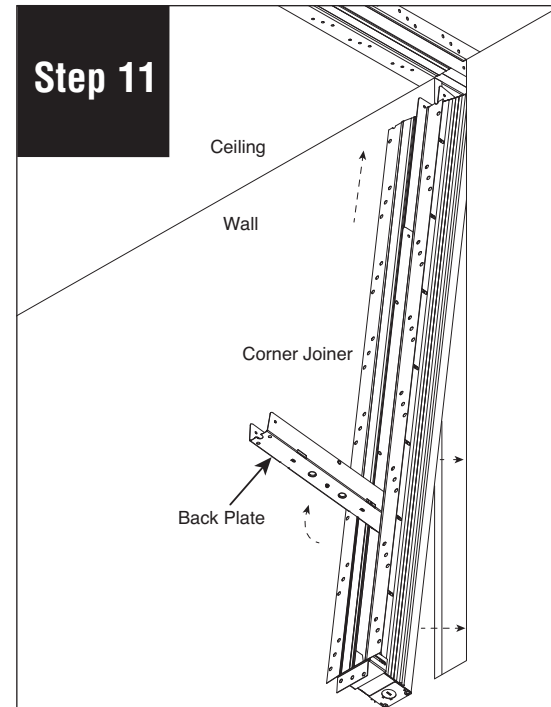
HP-2 Recessed Ceiling to Wall Spackle Flange Installation Instructions



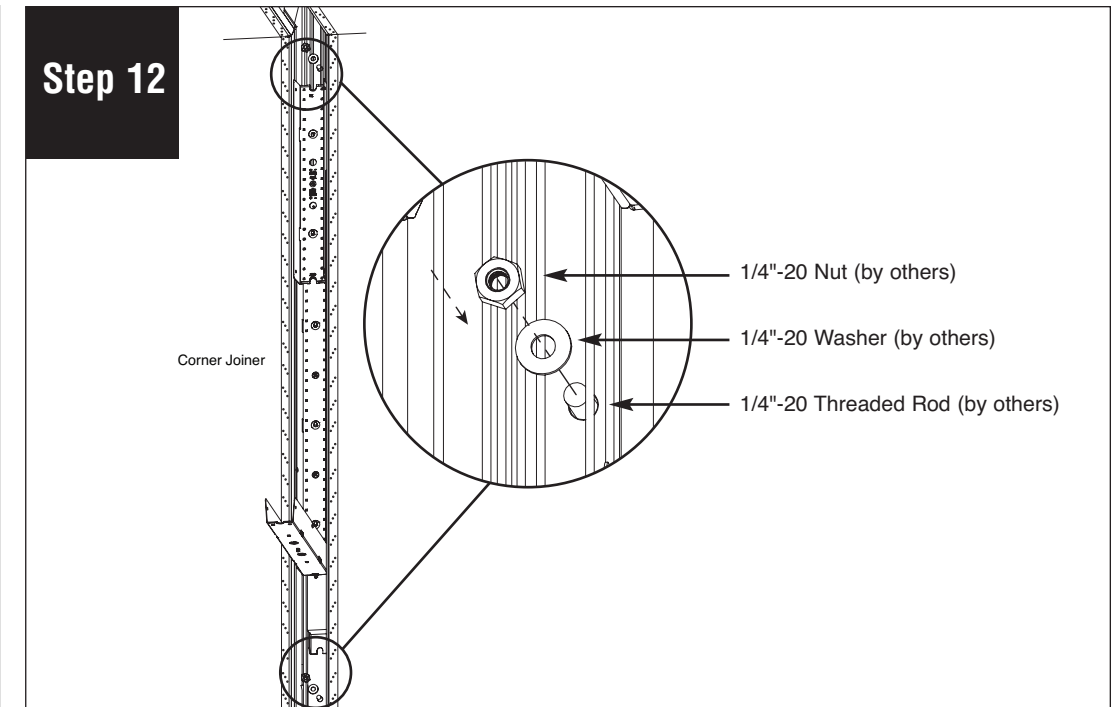
Make wiring connections.



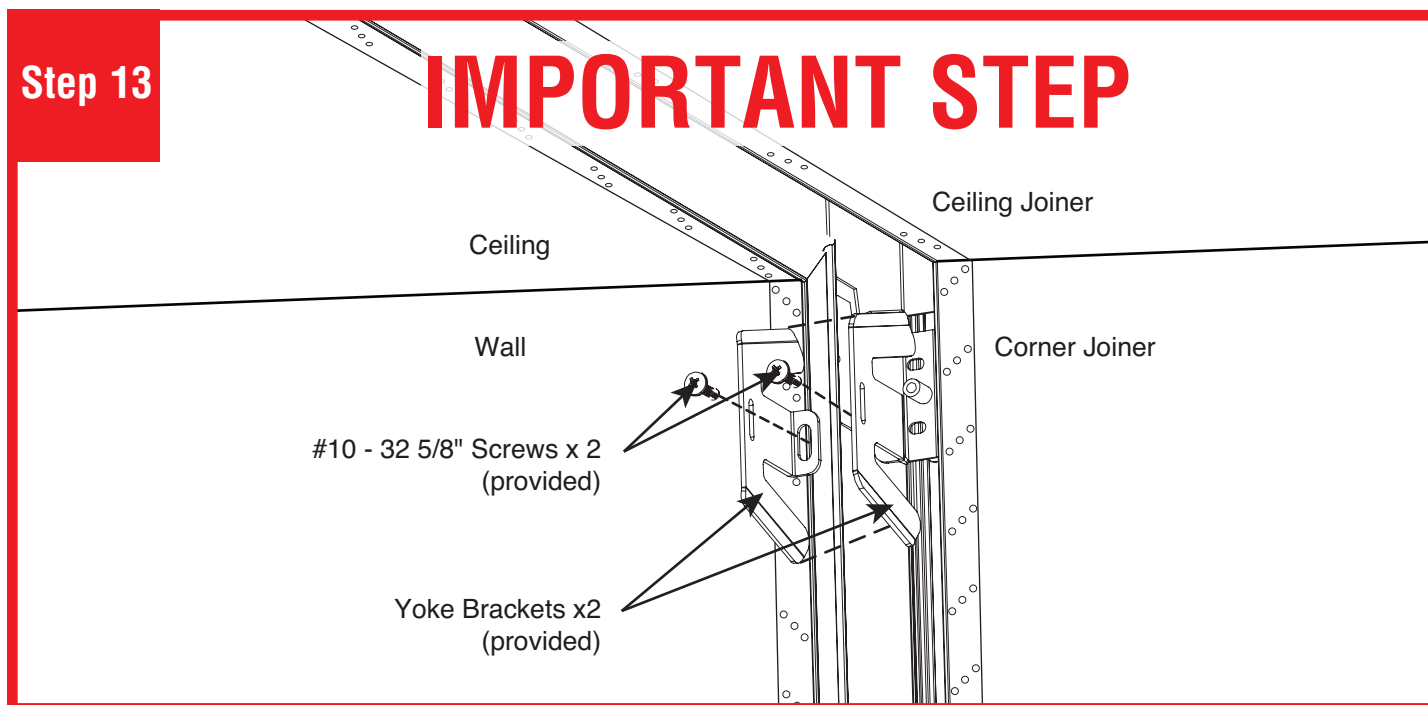
Remove diffuser from corner joiner and set it aside to prevent it from getting dirty or damaged.



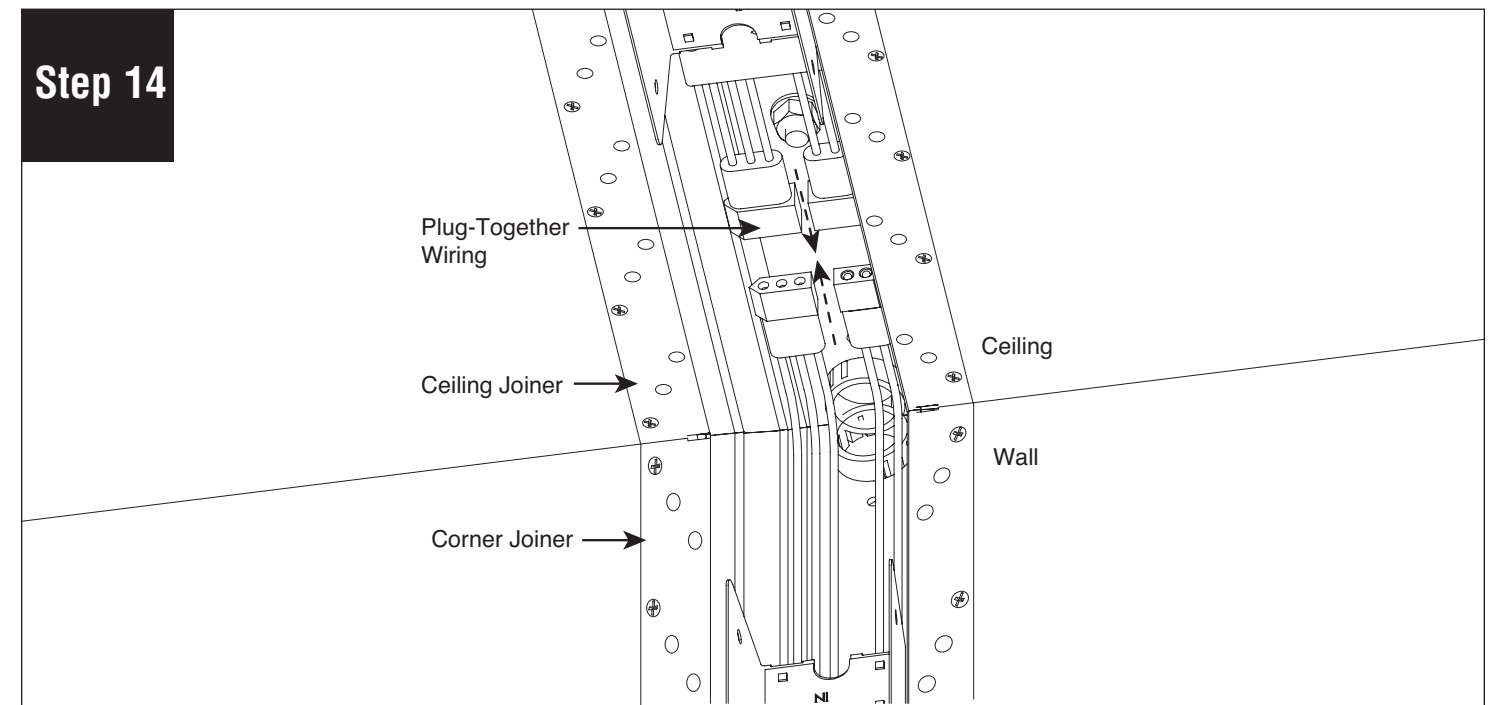
Open back plates on corner joiner and insert luminaire into wall. Align and slide corner joiner and ceiling joiner together.



On both ends of corner joiner luminaire, install 1/4" washers (by others) and 1/4"-20 nuts (by others) onto 1/4"-20 threaded rod (by others). **Alternate** - Install 1/4" screw (by others) through mounting hole into proper structurally supported blocking (by others).



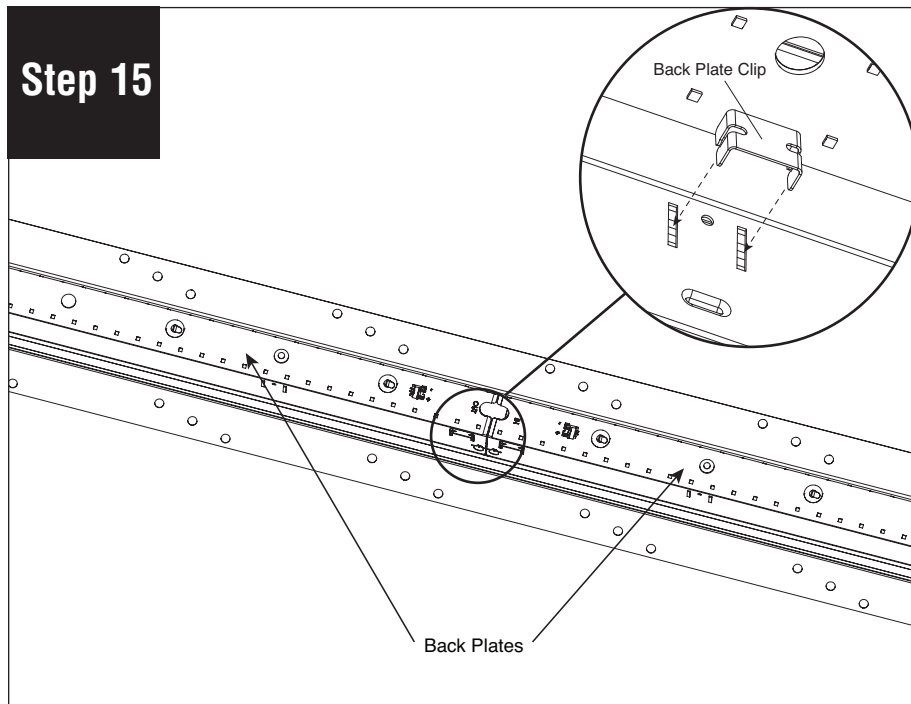
IMPORTANT STEP: Secure joint with two yoke brackets (provided) using #10-32 x 5/8" screws (provided). **CAUTION:** When installed correctly these brackets will pull luminaires together to make a tight joint. Do not over-tighten.



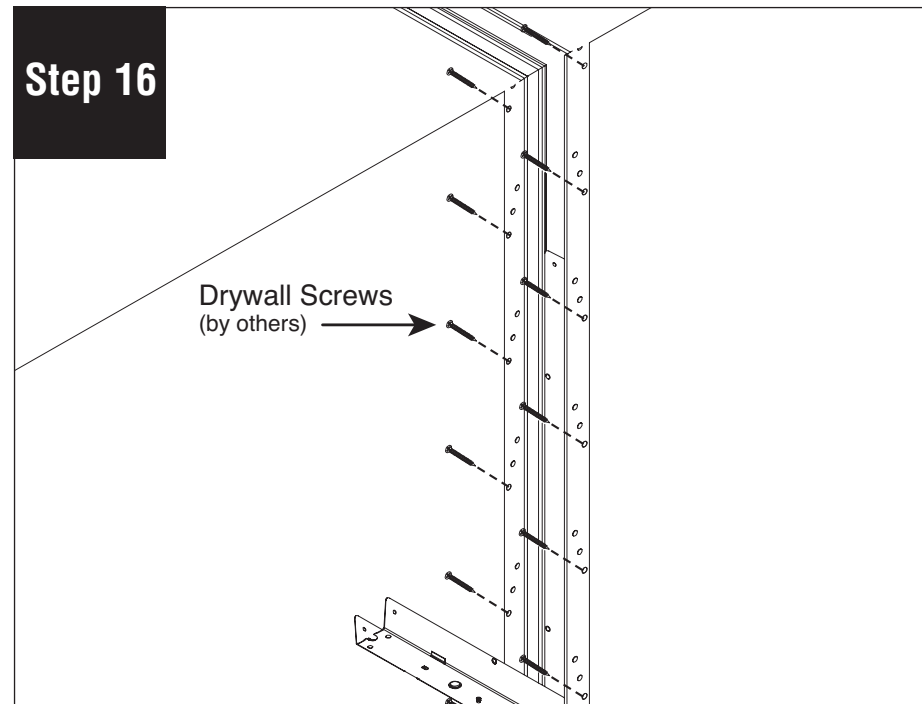
Connect plug-together wiring.

Note: All power connections to be installed to local/national codes by a Certified Electrician.

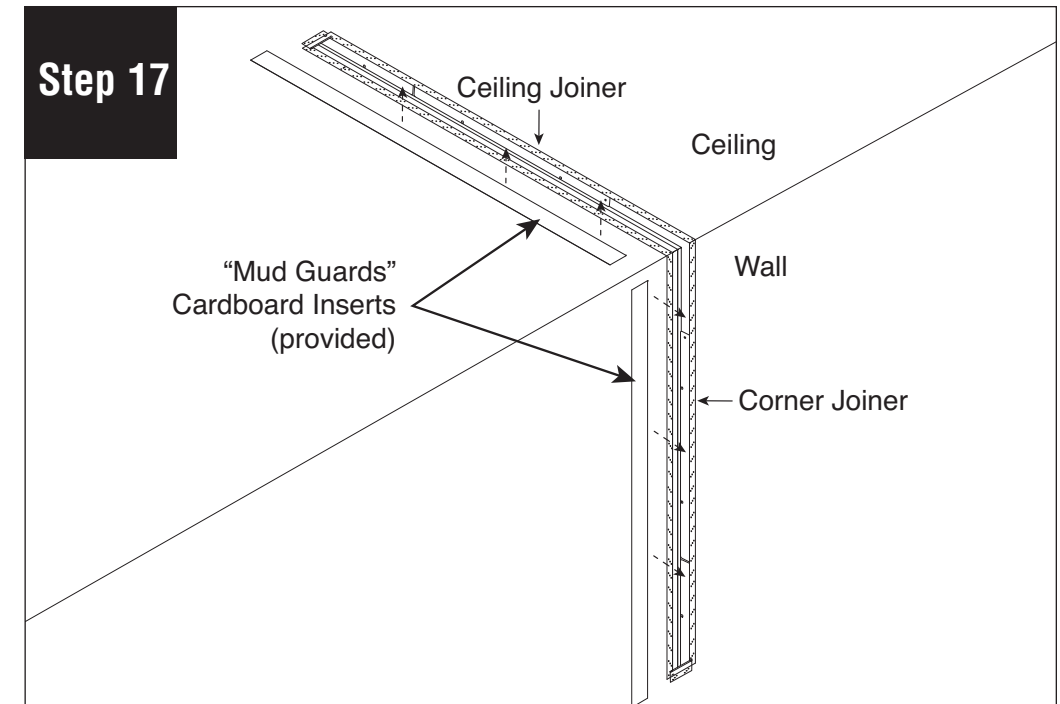
HP-2 Recessed Ceiling to Wall Spackle Flange Installation Instructions



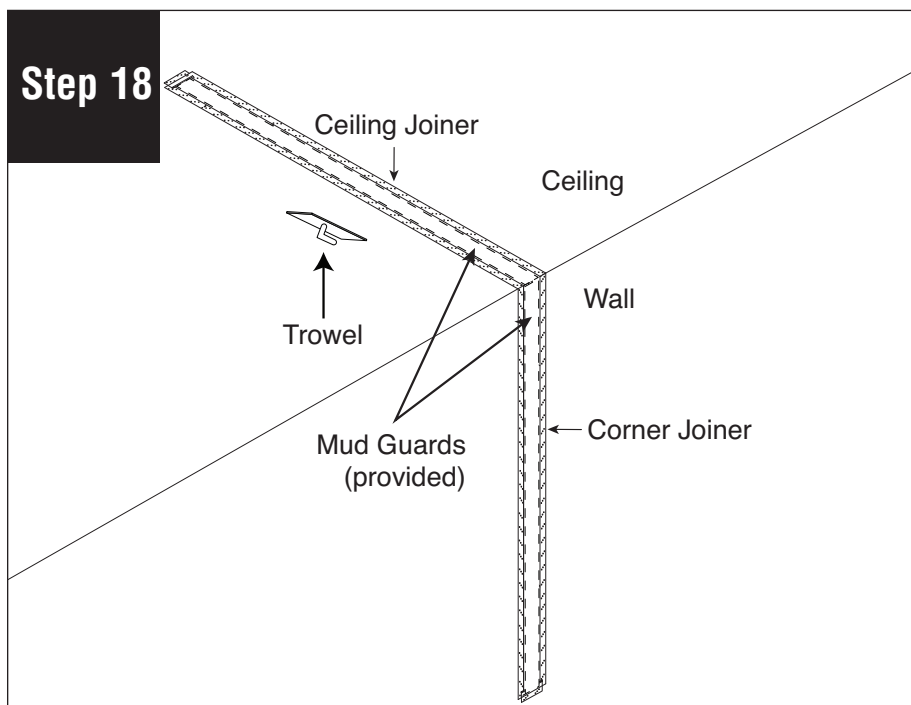
Replace all back plates by holding them in their original position and pushing the clips back in. Make sure wire connections are not pinched. (If 1 ft. back plate assembly is near joint, reconnect feed harness to LED board.)



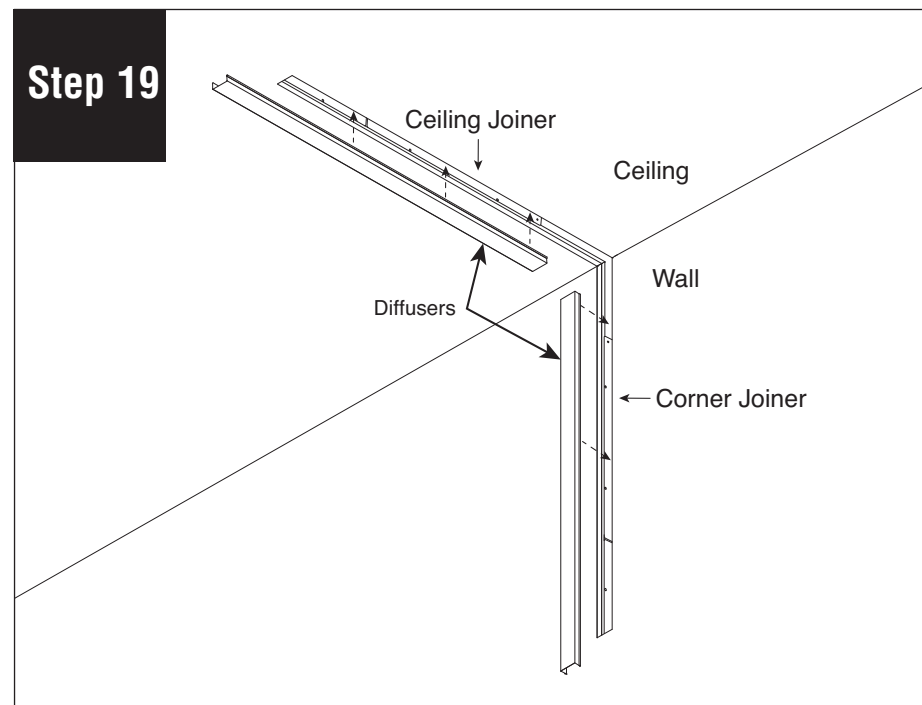
Fasten all luminaires to the wall with drywall screws (by others) through the flange into blocking.



Install the "mud guard" cardboard inserts (provided) to help prevent spackle from getting into the luminaire.



Use spackle to cover up the flanges, then remove the mud guards when complete.



Reinstall diffuser and turn power on to luminaire.

Note: All power connections to be installed to local/national codes by a Certified Electrician.