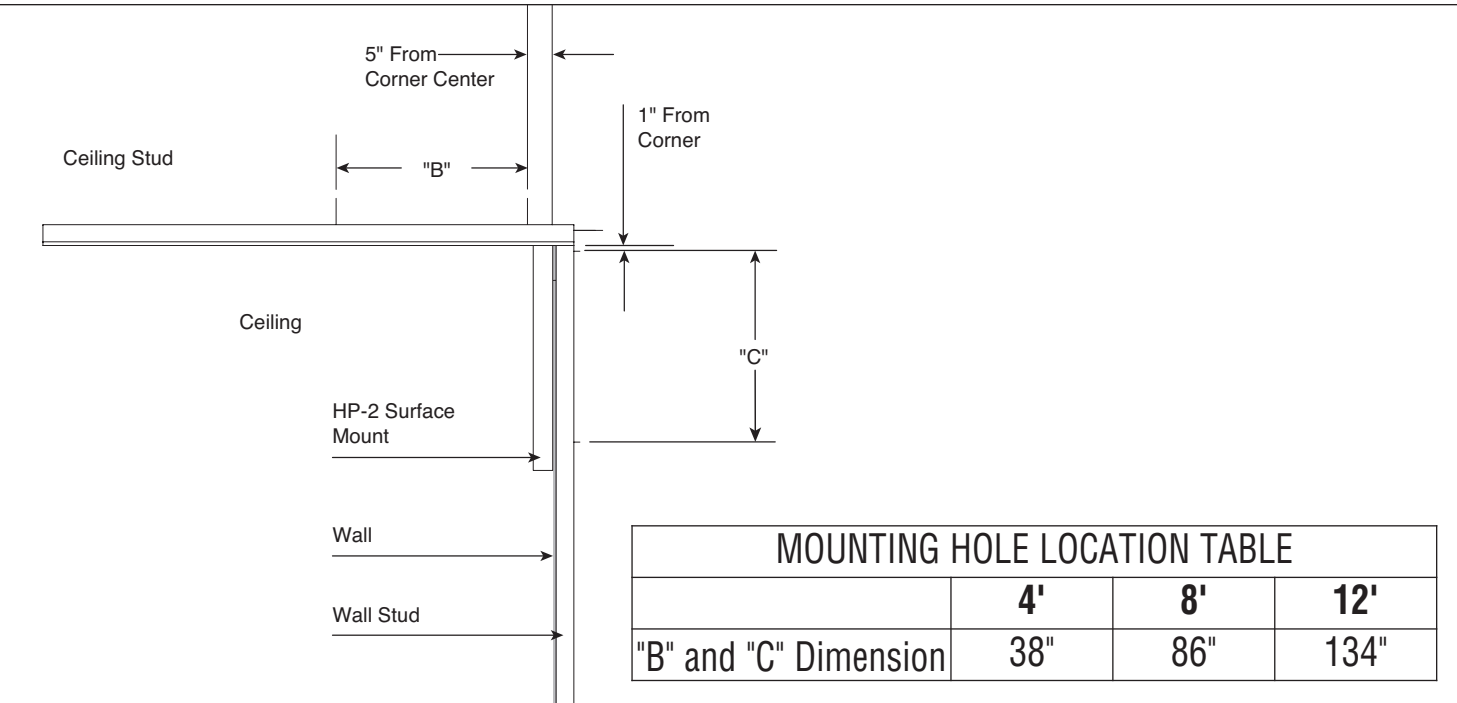
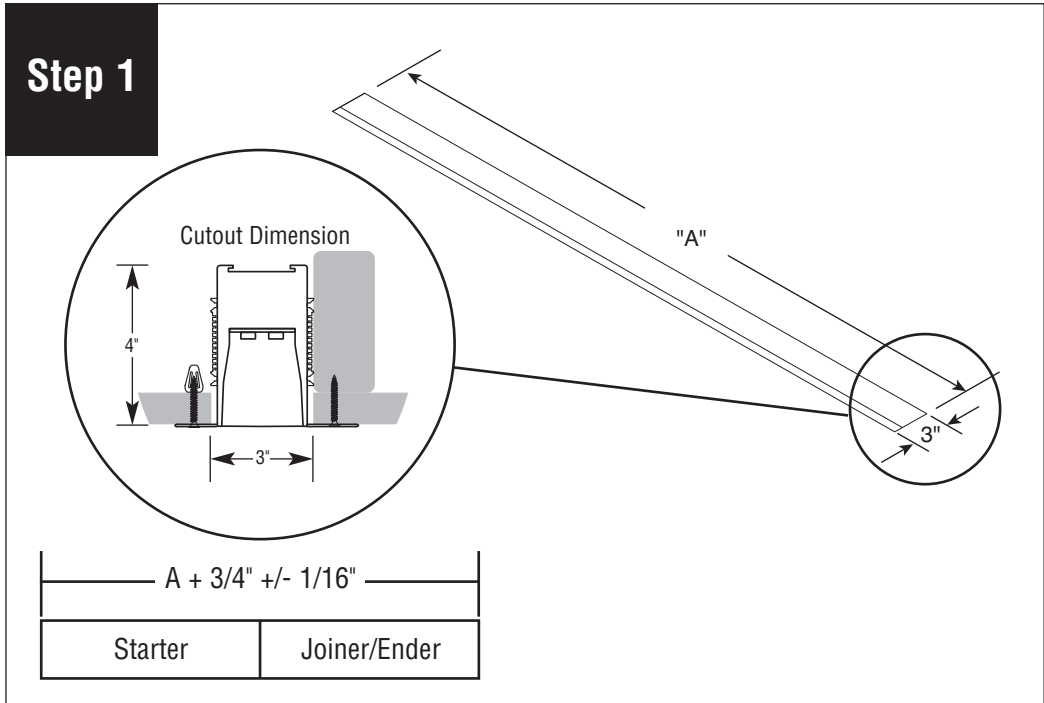


HP-2 Recessed Spackle Flange Ceiling to Surface Mount Installation Instructions

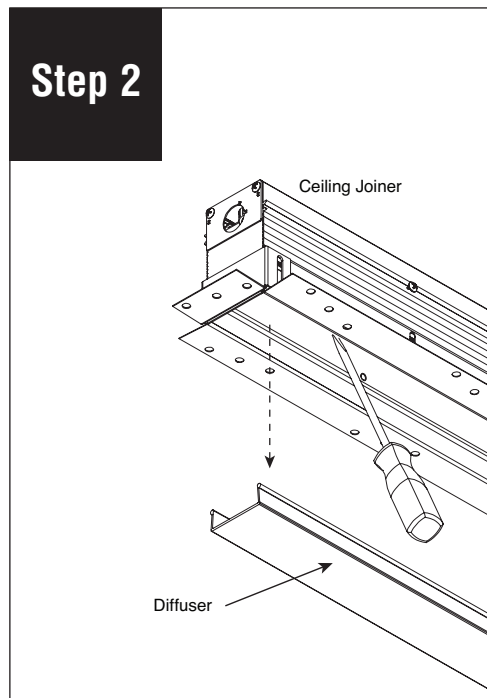
Scan QR code for helpful video(s)



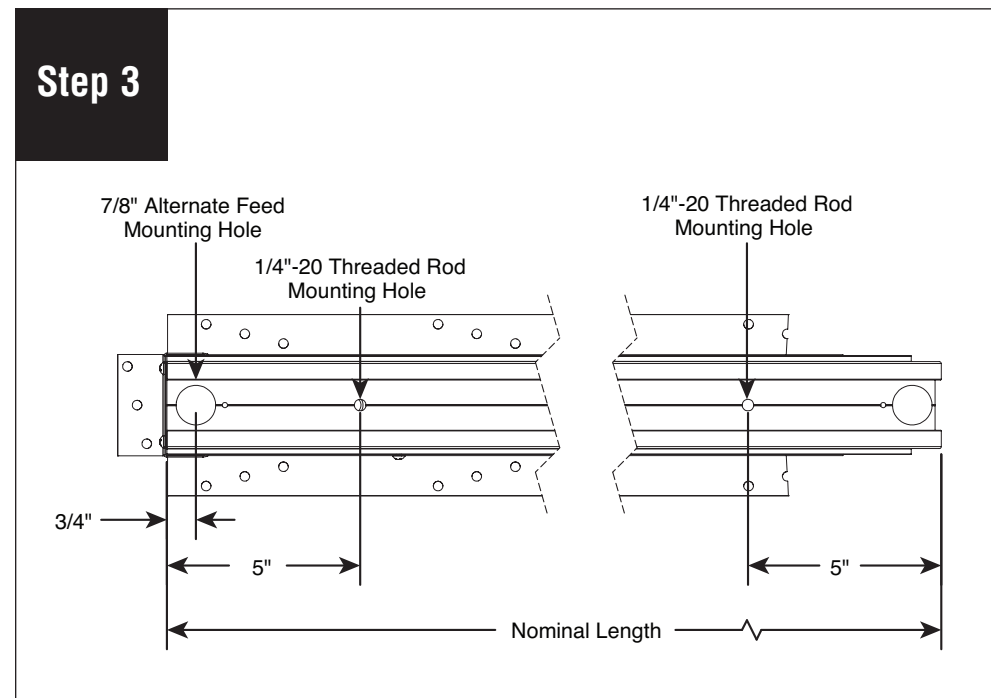
0 - 10V Dimming



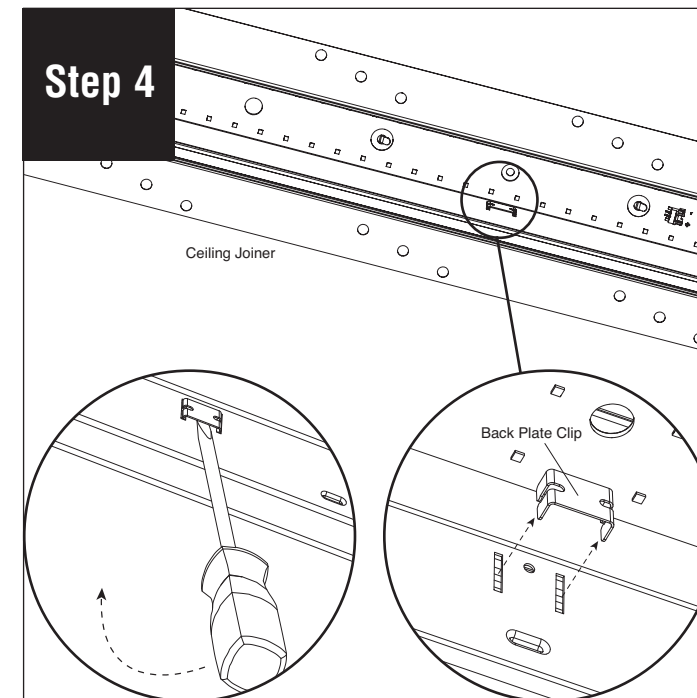
Add 3/4" to body/row length (A), +/- 1/16" to simplify installation. Luminaire needs to be installed next to support blocking.



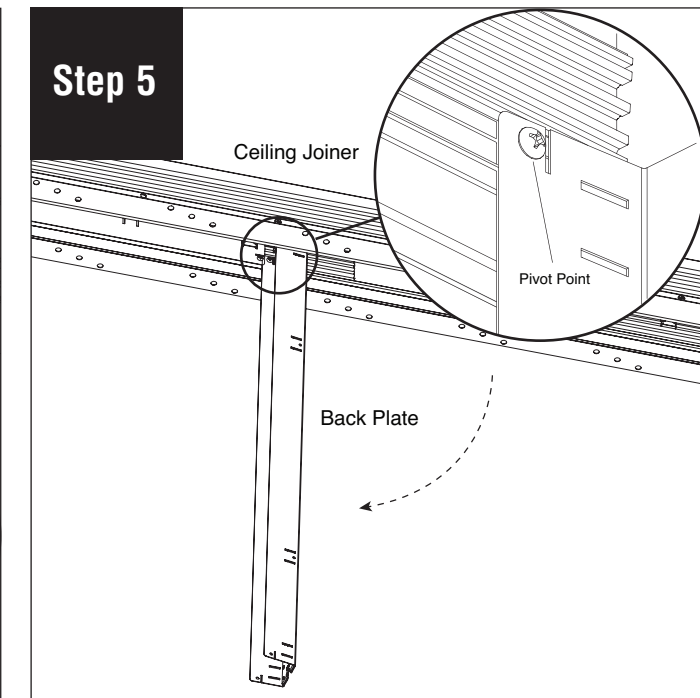
Remove diffuser from ceiling joiner and set aside to prevent it from getting dirty or damaged.



Refer to threads and feed hole locations above before connecting luminaire wires.



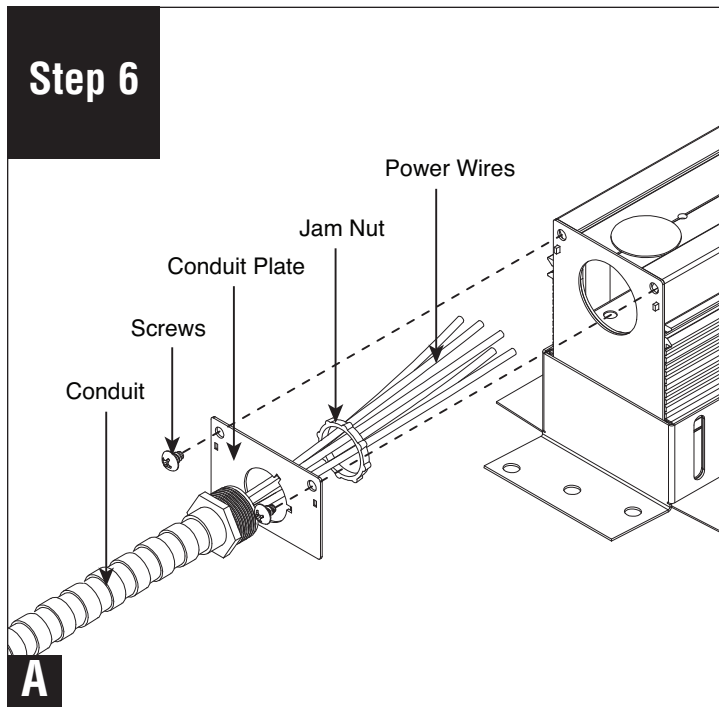
Remove back plate clips (provided) to release back plates. We recommend using a flat head screwdriver to get them loose. **CAUTION: Do not lose these pieces.**



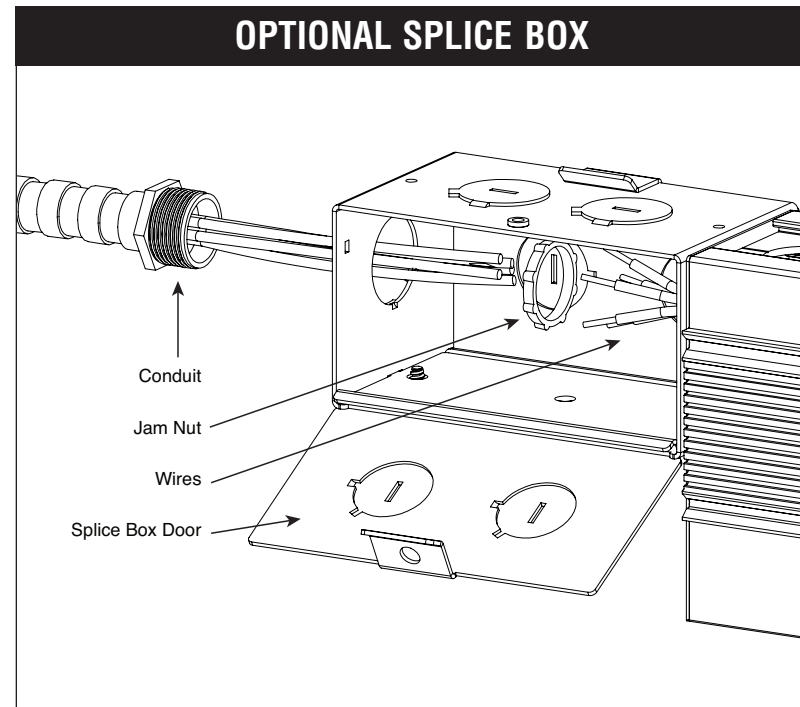
Slowly swing down back plates. **CAUTION: Do not twist back plate when swinging down - it will come out of the support extrusion.**

Note: All power connections to be installed to local/national codes by a Certified Electrician.

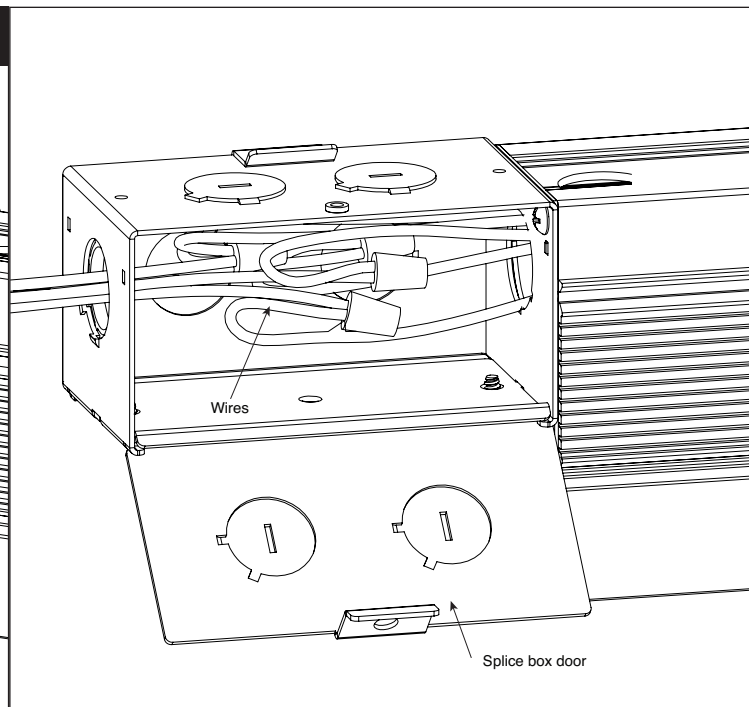
HP-2 Recessed Spackle Flange Ceiling to Surface Mount Installation Instructions



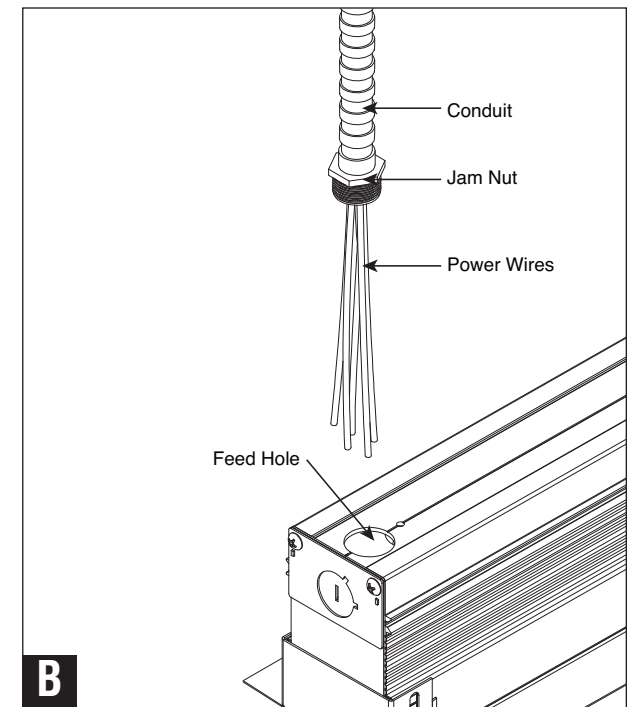
A. Standard installation. Remove conduit plate from luminaire. Remove jam nut from conduit then insert wires and connector through feed hole. Secure conduit with jam nut.



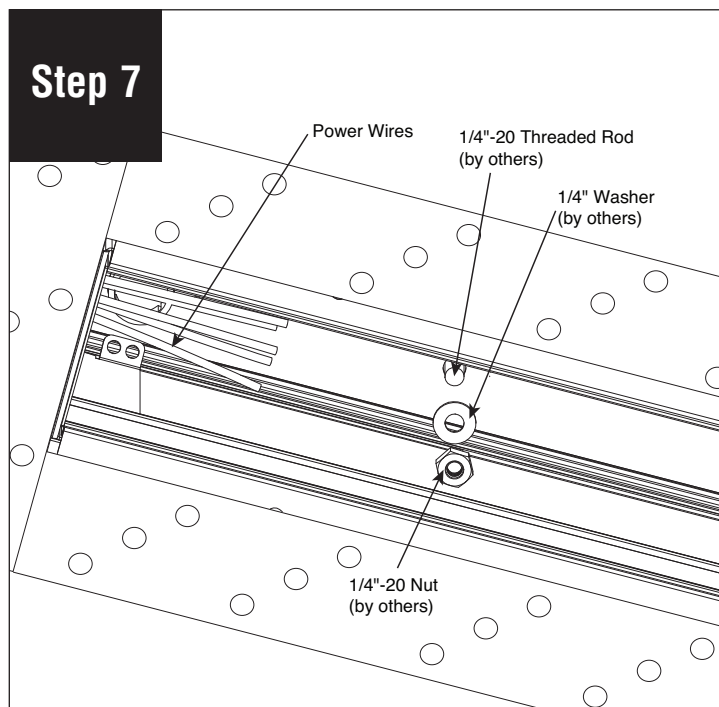
Open optional splice box door to access wiring.



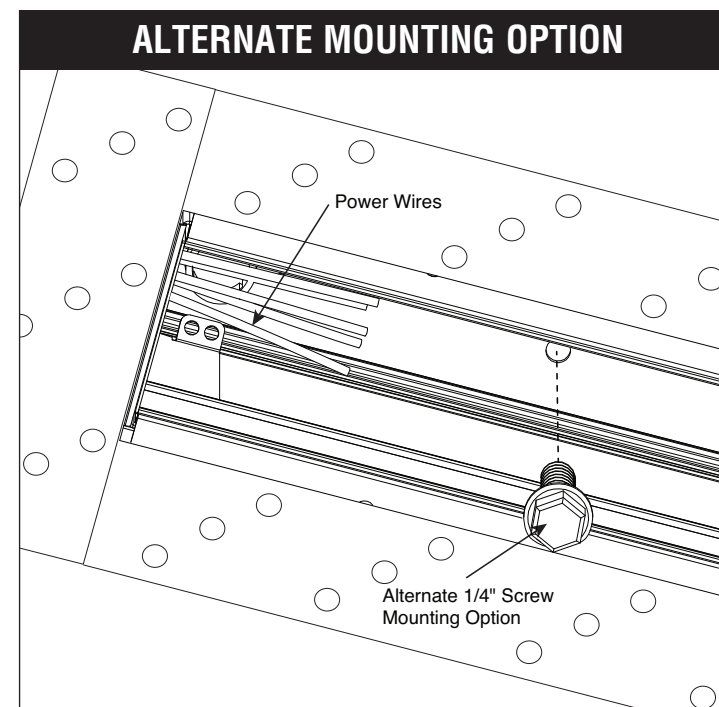
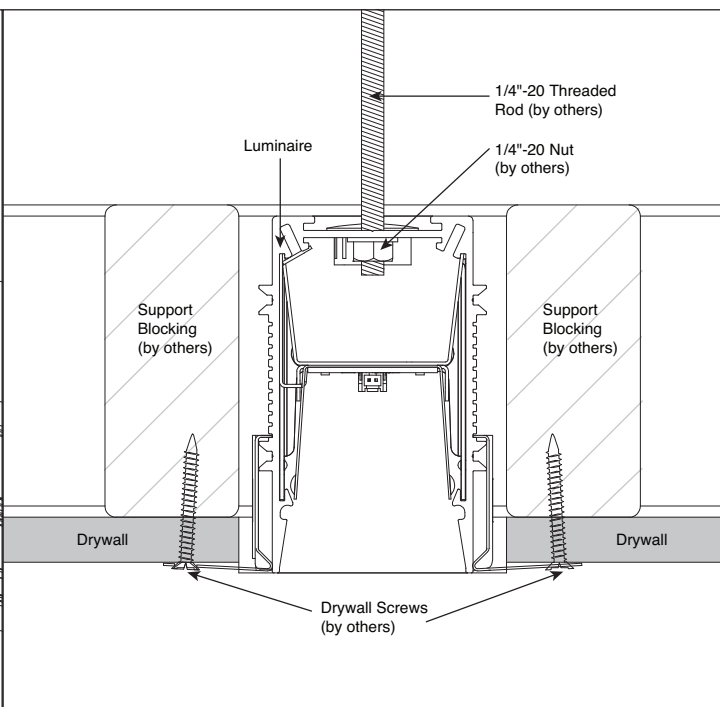
Run power cable through knock-out. Make electrical connection. Secure conduit on to splice box with jam nut and close splice box door.



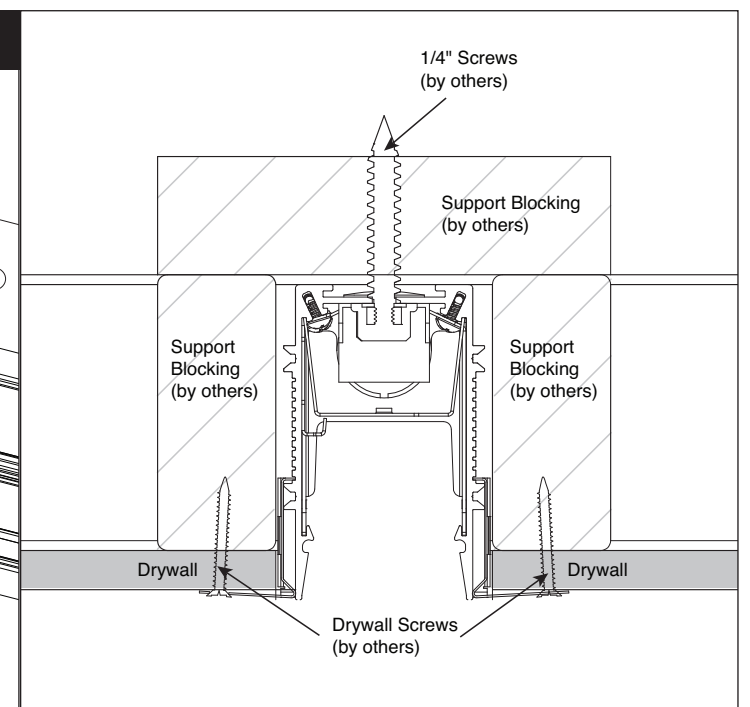
B. Alternate option from top.



Insert luminaire into rough opening. On both ends of the luminaire, install 1/4" washers (by others) and 1/4"-20 nuts (by others) onto 1/4"-20 threaded rod (by others).

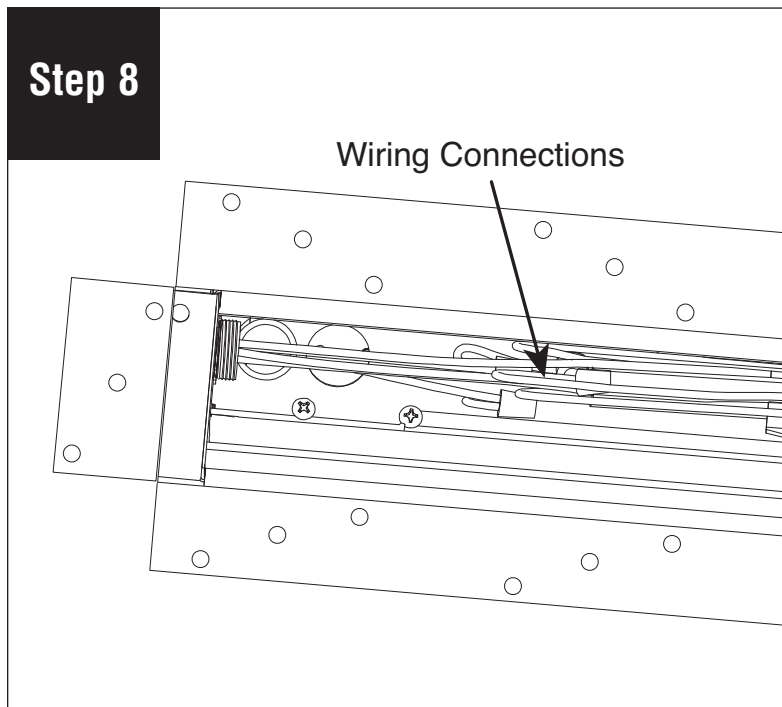


Alternate mounting option - Install 1/4" screw (by others) through mounting hole into proper structurally supported blocking (by others).

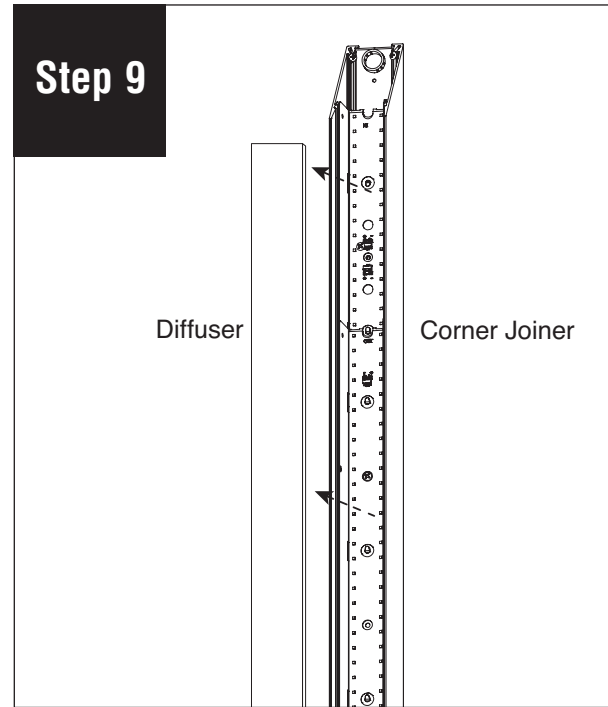


Note: All power connections to be installed to local/national codes by a Certified Electrician.

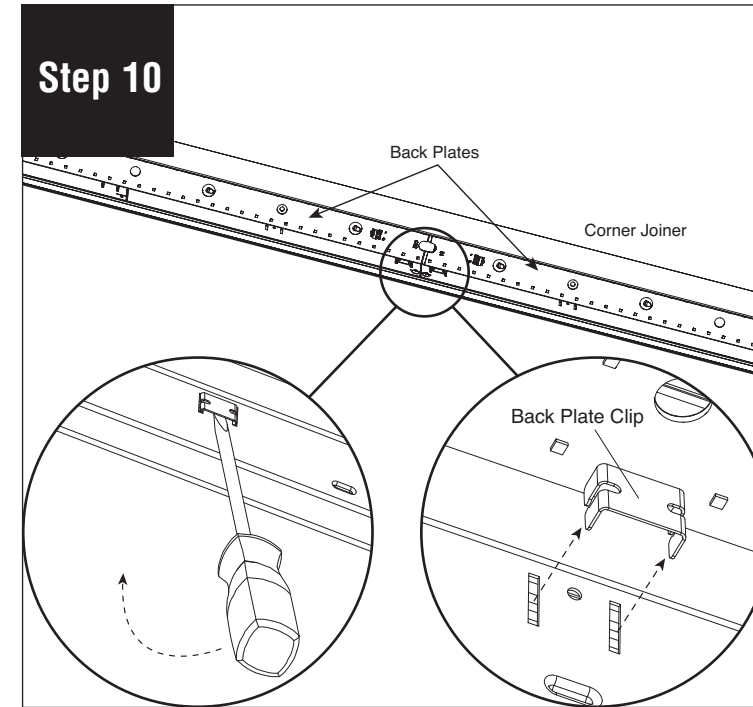
HP-2 Recessed Spackle Flange Ceiling to Surface Mount Installation Instructions



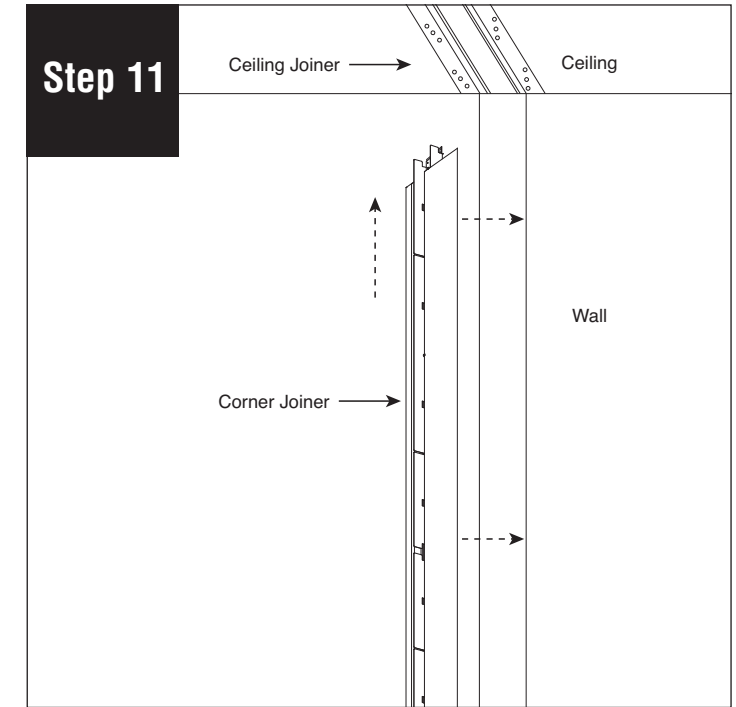
Make wiring connections.



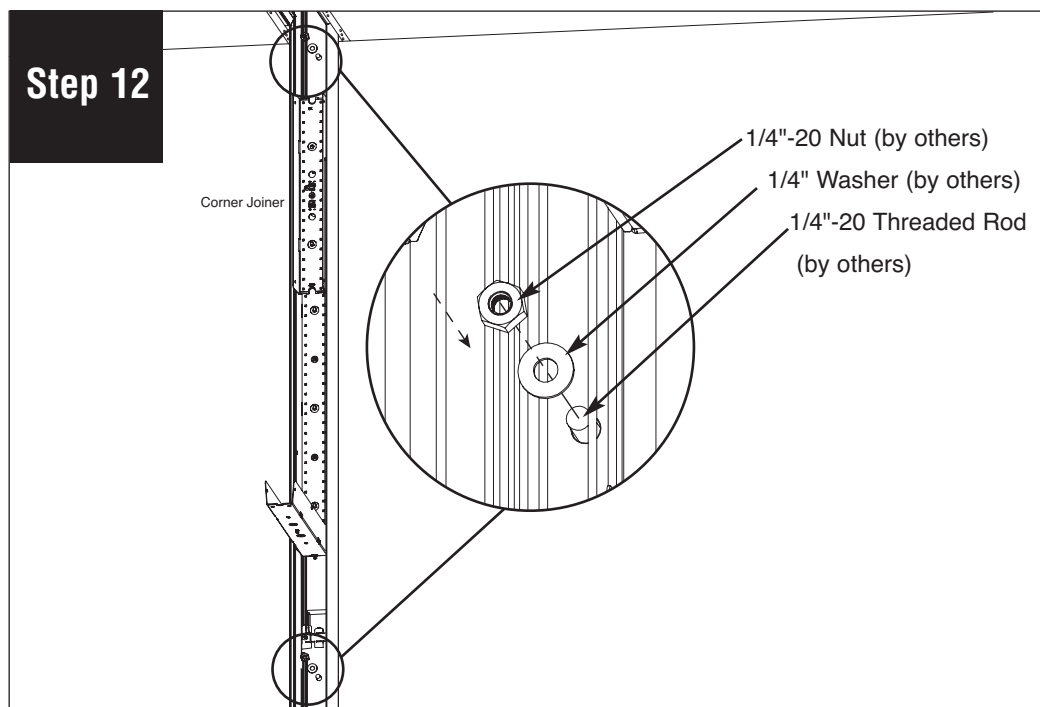
Remove diffuser from corner joiner and set aside to prevent it from getting dirty or damaged.



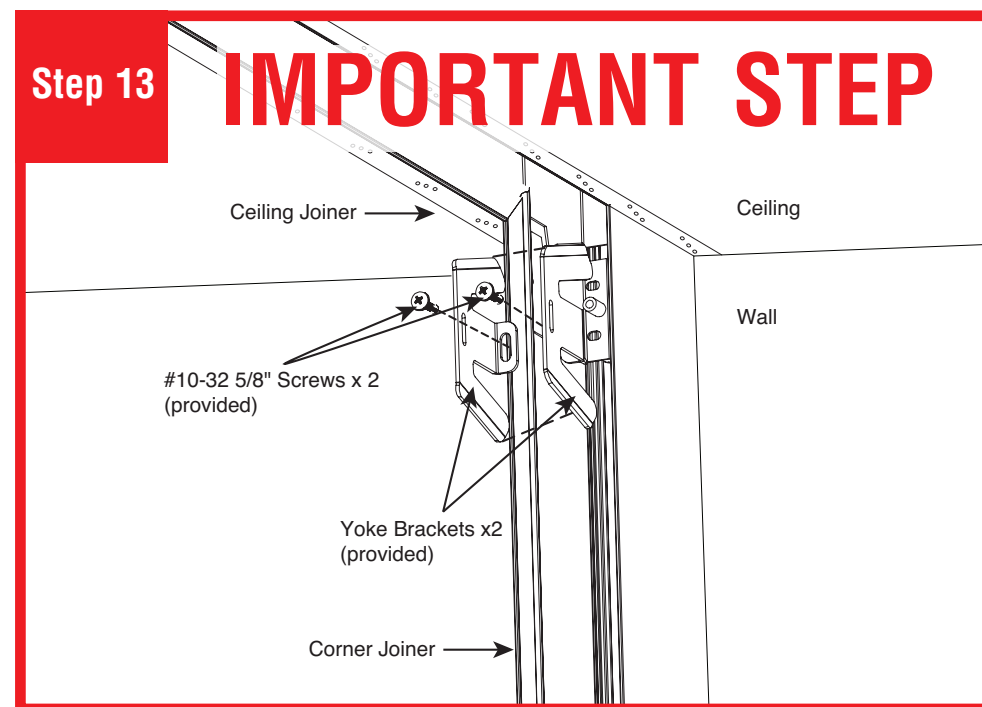
Remove back plate clips (provided) from corner joiner to release back plates. We recommend using a flat head screwdriver to get them loose. **CAUTION: Do not lose these pieces.**



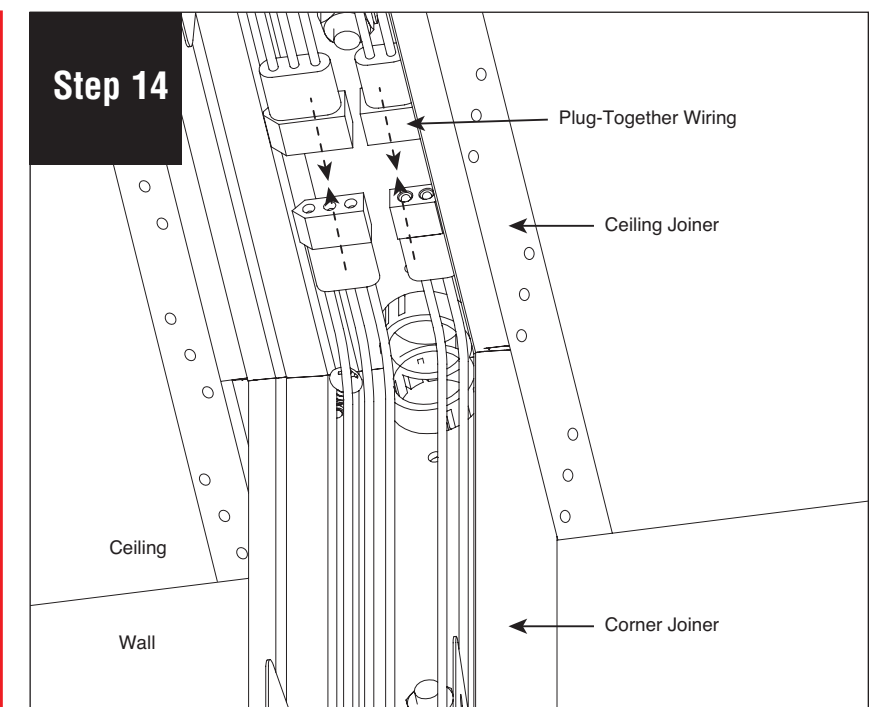
Install corner joiner by aligning it with the ceiling joiner and sliding the luminaires together.



On both ends of the corner joiner, install 1/4" washer (by others) and 1/4"-20 nut (by others) onto 1/4"-20 threaded rod (by others) or use alternate 1/4" screw mounting option.



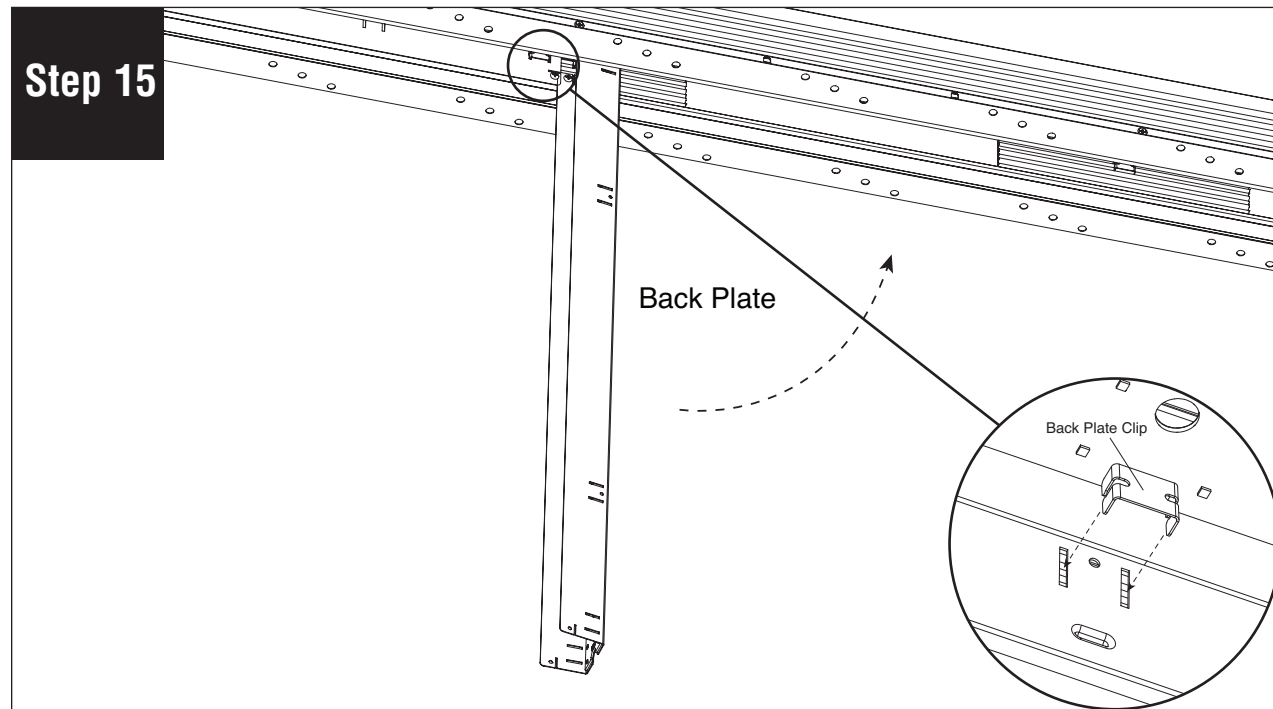
IMPORTANT STEP: Secure joint with two yoke brackets (provided) using #10-32 x 5/8" screws (provided). **CAUTION:** When installed correctly these brackets will pull luminaires together to make a tight joint. Do not over-tighten.



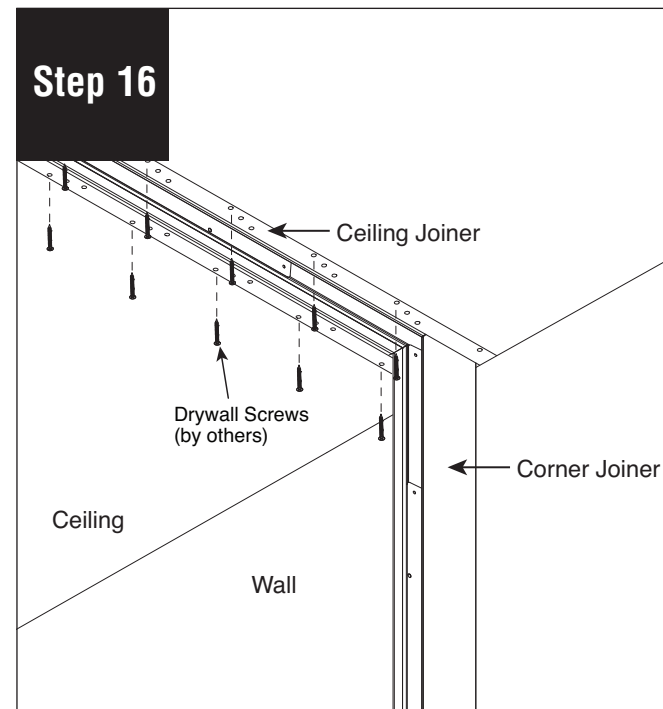
Connect plug-together wiring.

Note: All power connections to be installed to local/national codes by a Certified Electrician.

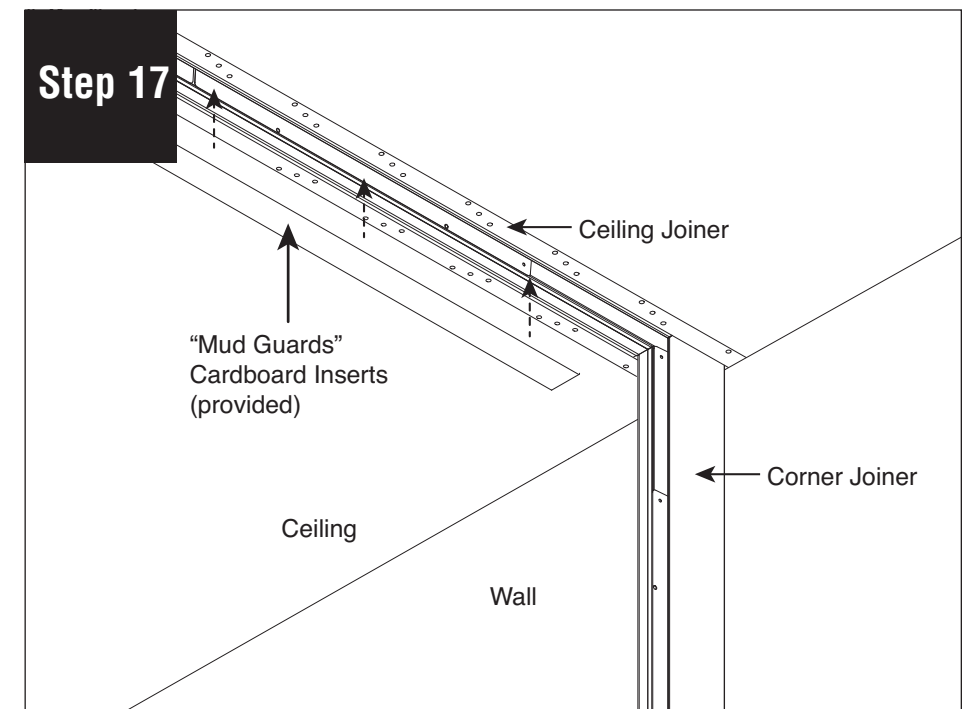
HP-2 Recessed Spackle Flange Ceiling to Surface Mount Installation Instructions



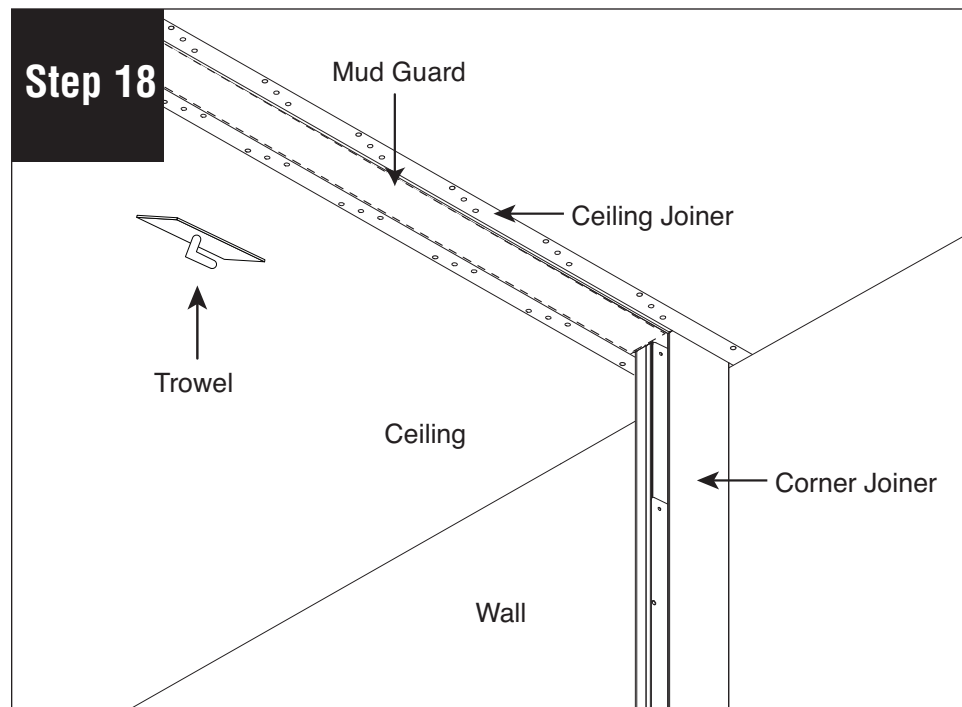
Replace all back plates by holding them in their original position and pushing the clips back in. Make sure wire connections are not pinched. (If 1 ft. back plate assembly is near joint, reconnect feed harness to LED board.)



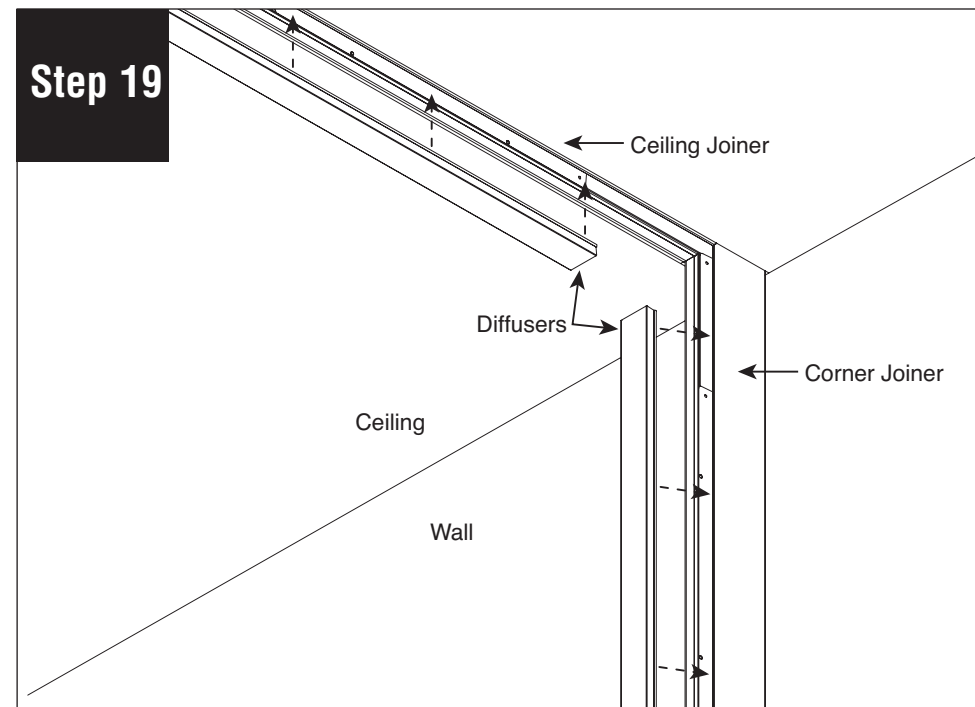
Fasten ceiling joiner luminaire to the ceiling by installing drywall screws (by others) through the flanges and into the blocking (by others).



Install the "mud guard" cardboard inserts (provided) to help prevent spackle from getting into the luminaire.



Use spackle to cover up the flanges, then remove the mud guards when complete.



Reinstall diffusers and turn power on to luminaire.

Note: All power connections to be installed to local/national codes by a Certified Electrician.