
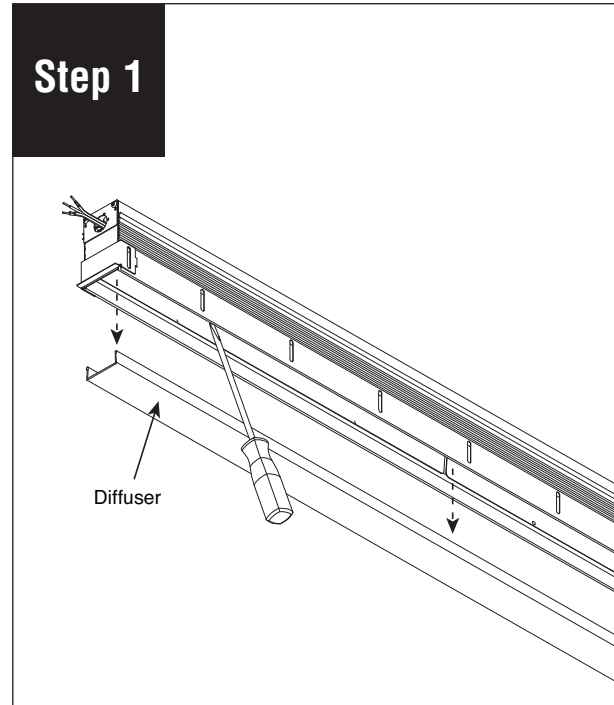


# HP-2 Recessed Flush Diffuser Tech Zone 4" Starter/Independent Installation Instructions

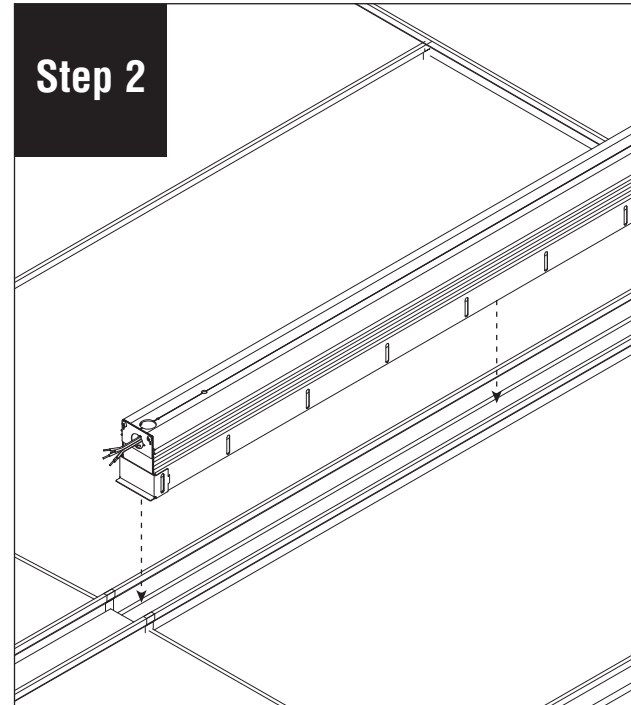
Scan QR code for helpful video(s)



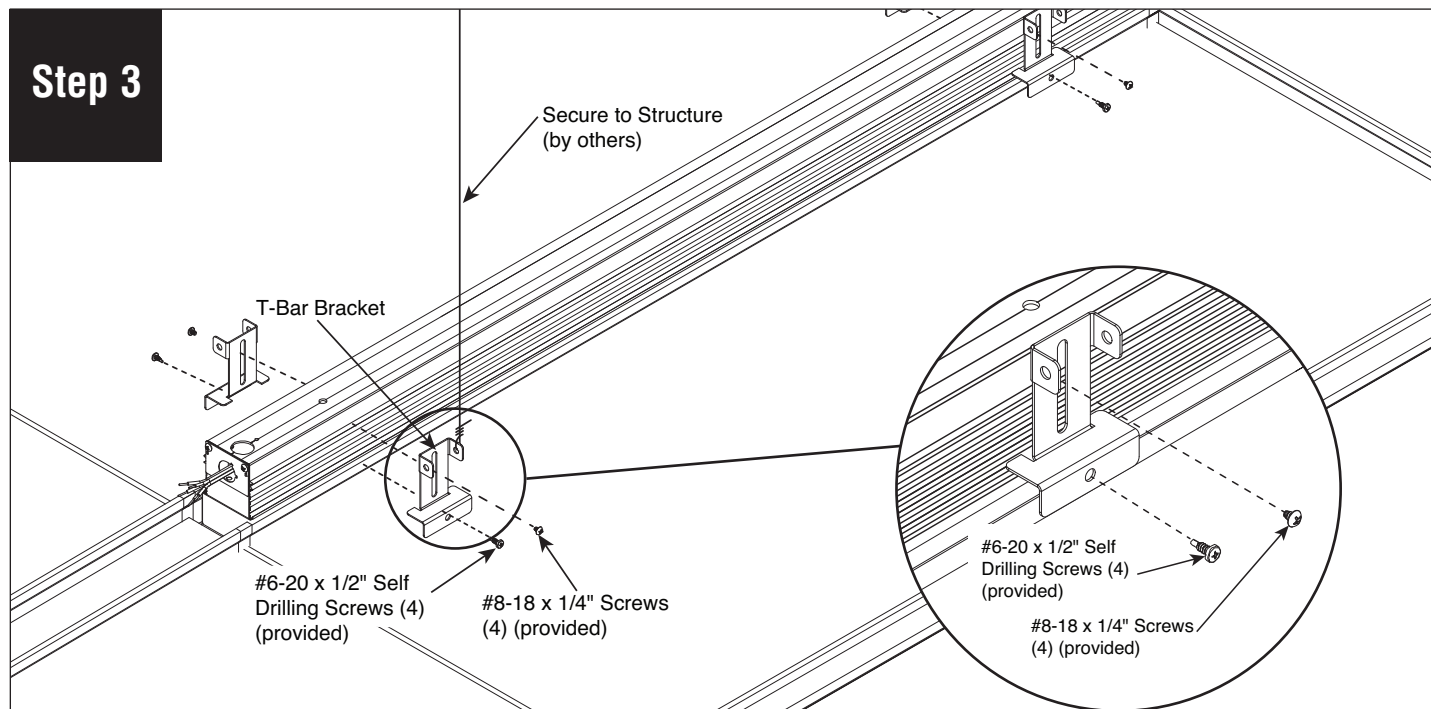
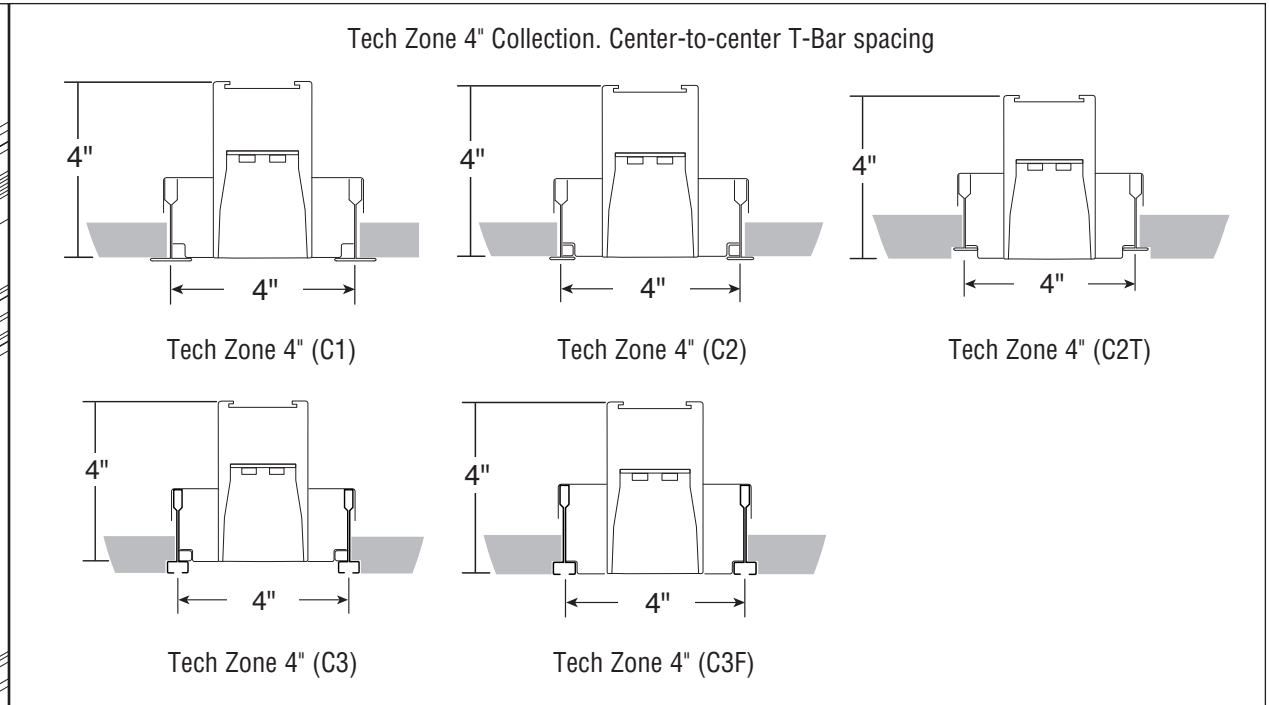
0 - 10V Dimming



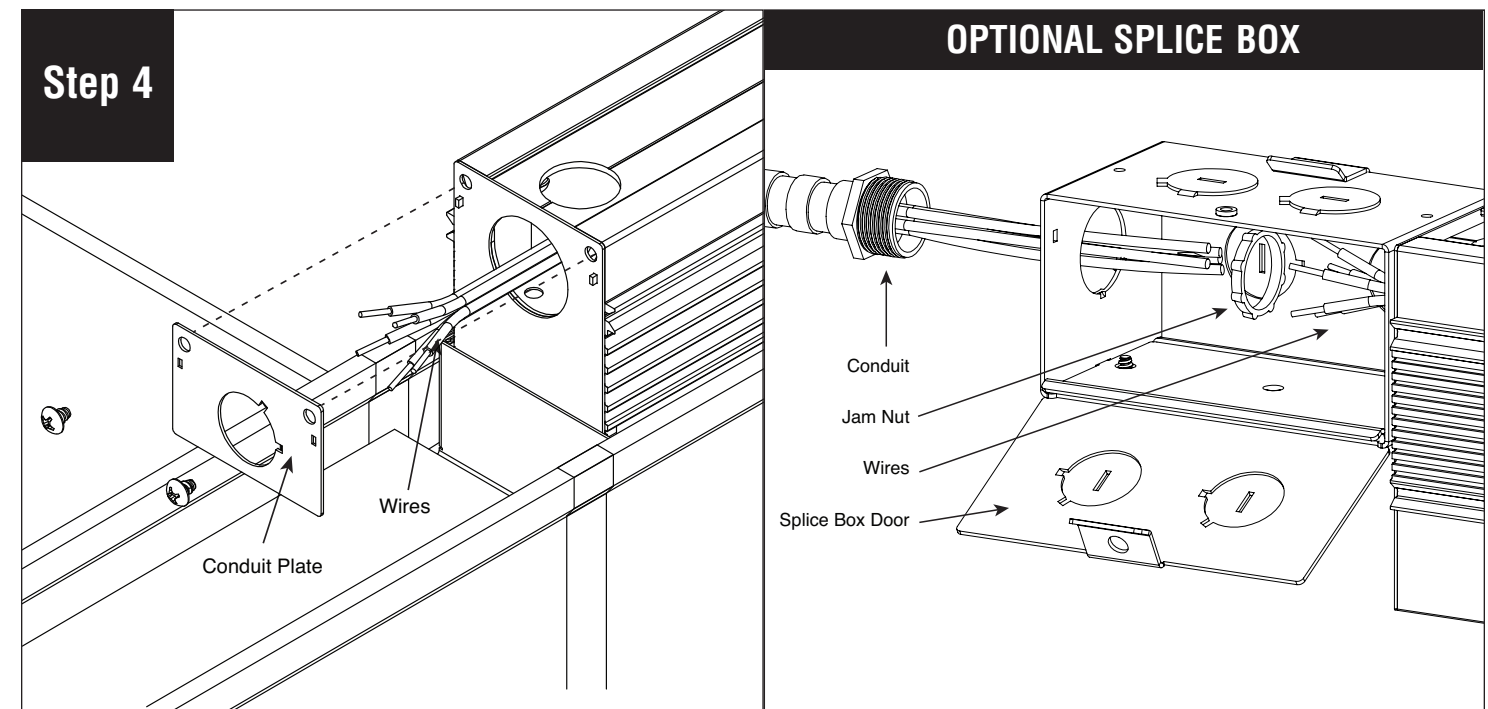
Remove diffuser and set aside to prevent it from getting dirty or damaged.



Place luminaire on T-Bar.



Install T-Bar bracket onto luminaire. Secure with #8-18 x 1/4" screws (provided). Secure luminaire to T-Bar with #6-20 x 1/2" self drilling sheet metal screw (provided). Secure luminaire to structure using tie-wire (by others), as per code.

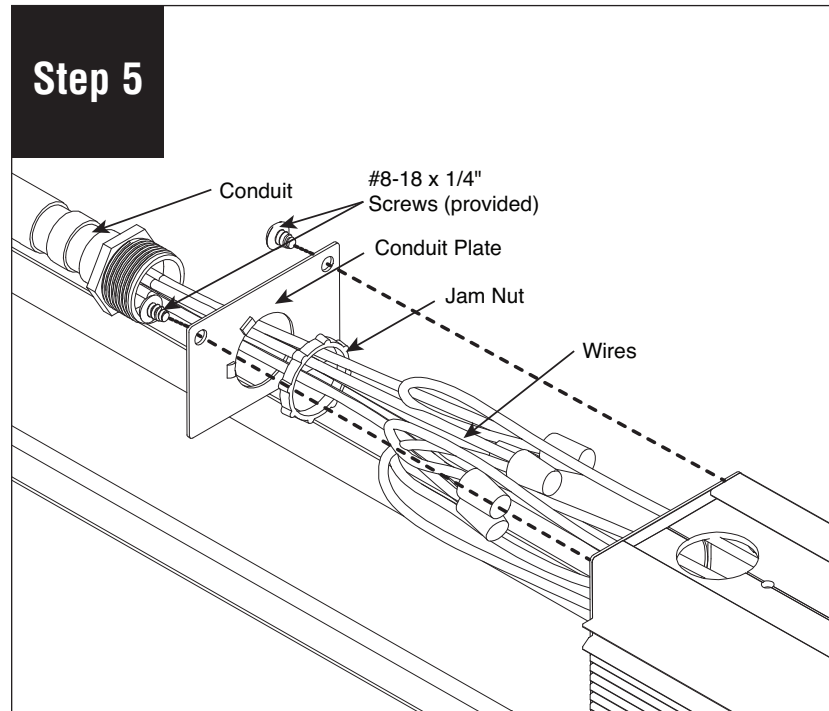


Remove conduit plate from luminaire.

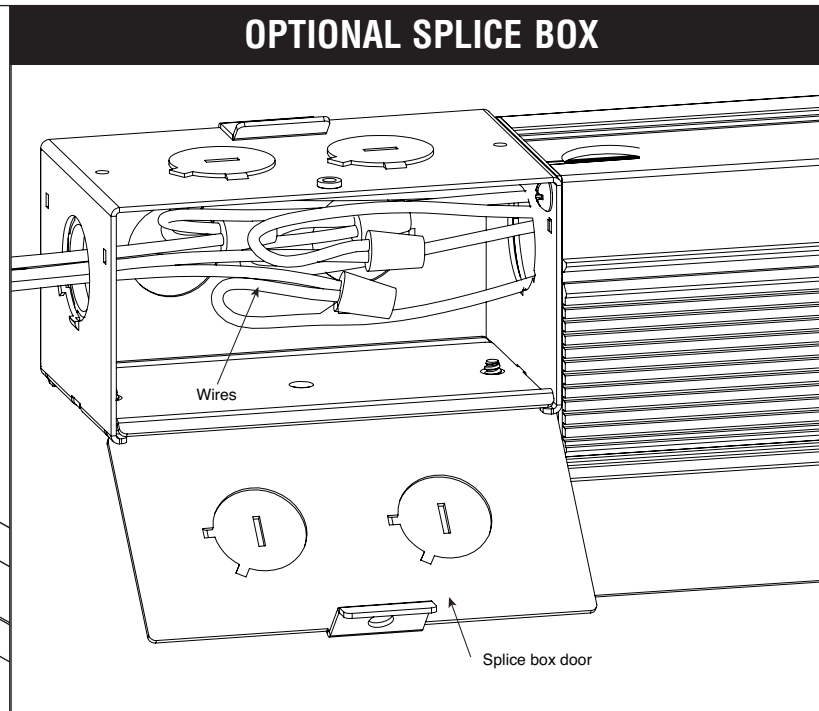
Open optional splice box door to access wiring.

**Note:** All power connections to be installed to local/national codes by a Certified Electrician.

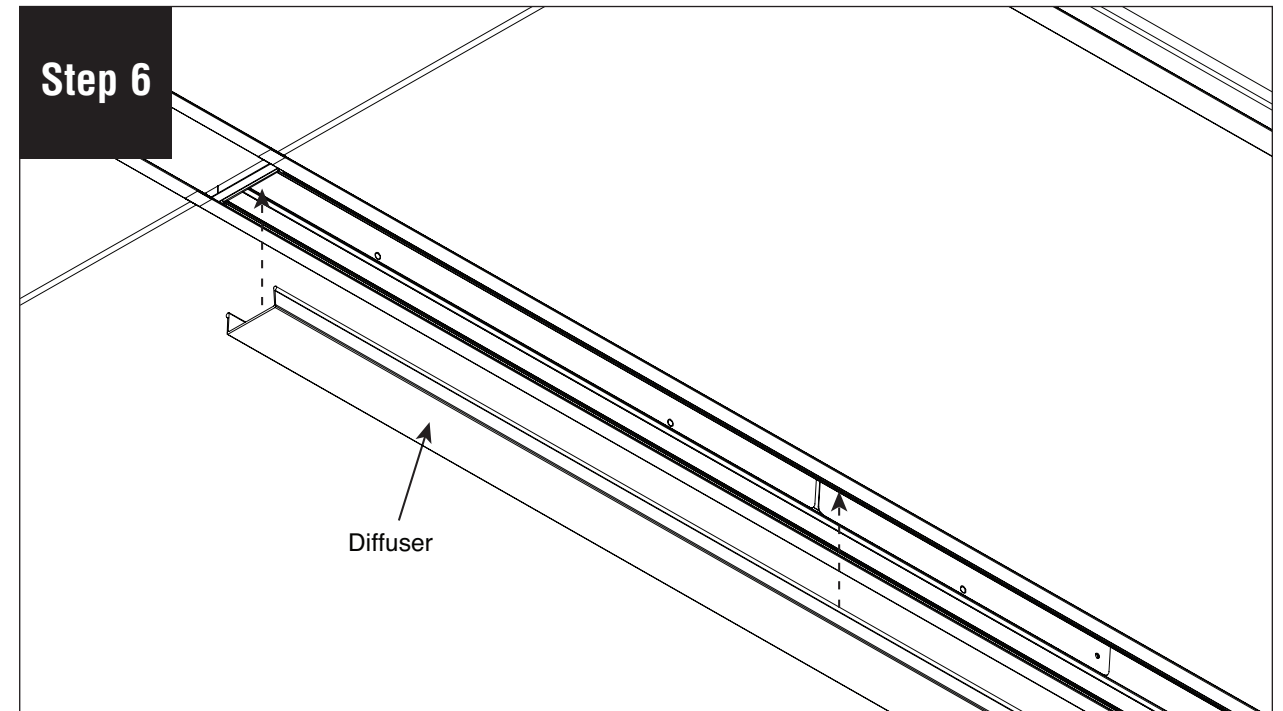
# HP-2 Recessed Flush Diffuser Tech Zone 4" Starter/Independent Installation Instructions



**Step 5**  
Run power cables through conduit plate and jam nut. Make electrical connections. Secure conduit onto conduit plate with jam nut, and reinstall conduit plate carefully not to damage any wiring.



**OPTIONAL SPLICE BOX**  
Run power cable through knock-out. Make electrical connection. Secure conduit on to splice box with jam nut and close splice box door.



**Step 6**  
Reinstall diffuser and turn power on.

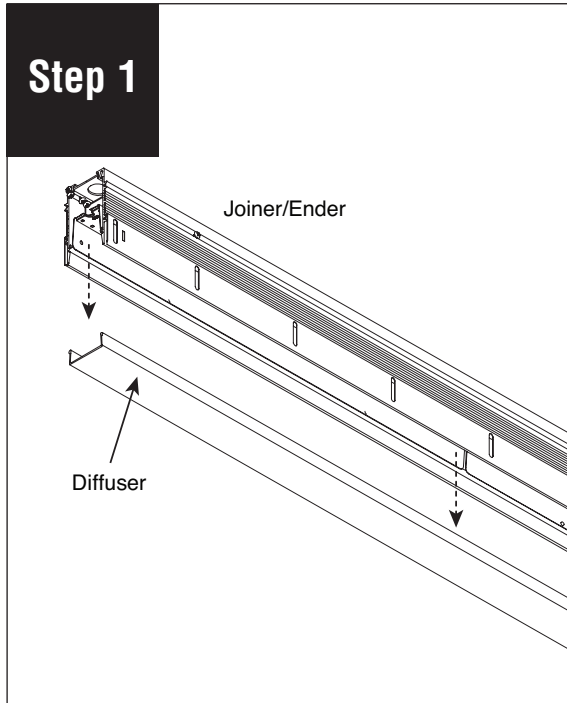
**Note:** All power connections to be installed to local/national codes by a Certified Electrician.

# HP-2 Recessed Flush Diffuser Tech Zone 4" Joiner/Ender Installation Instructions

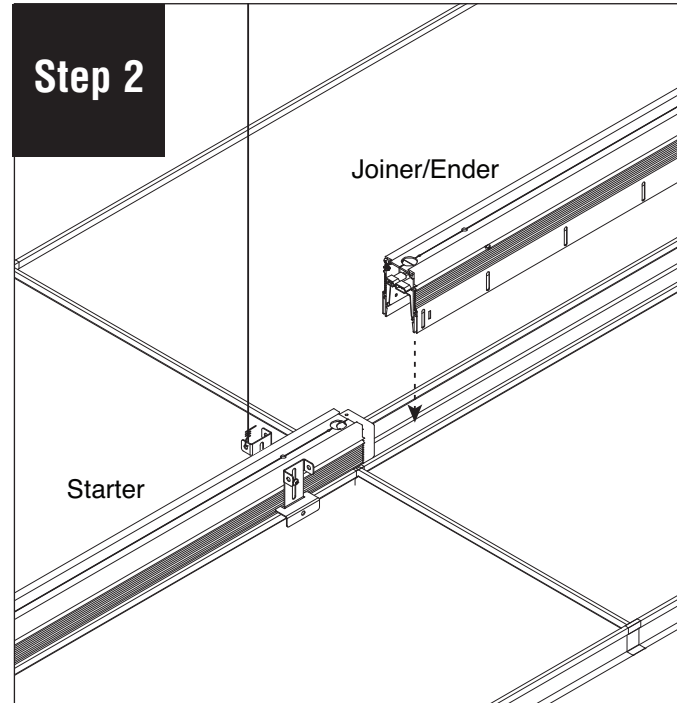
Scan QR code for helpful video(s)



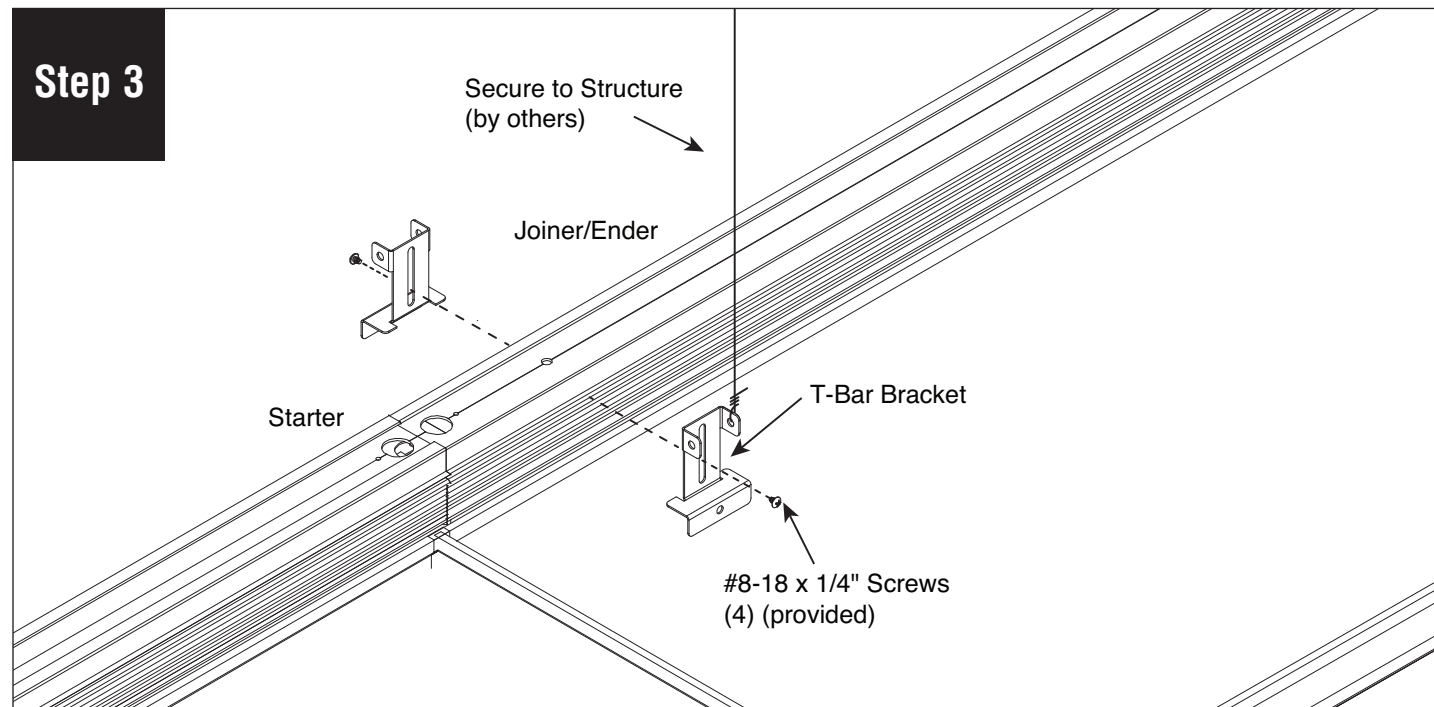
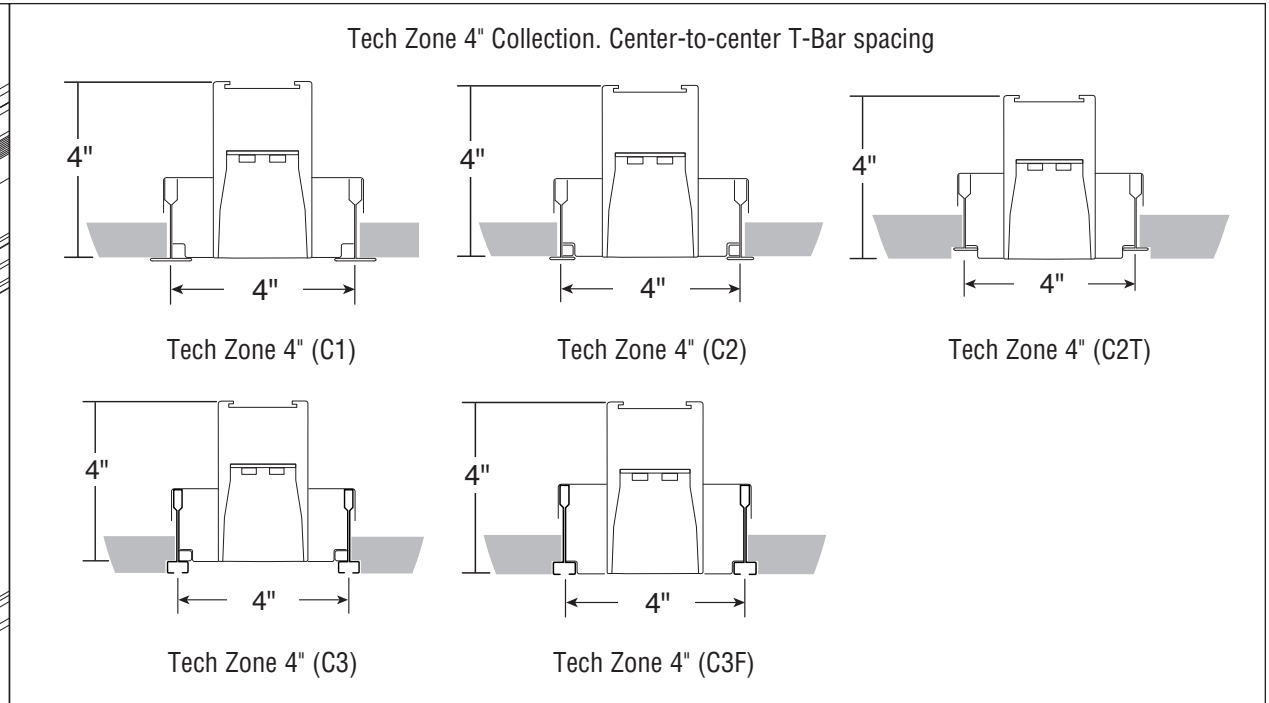
0 - 10V Dimming



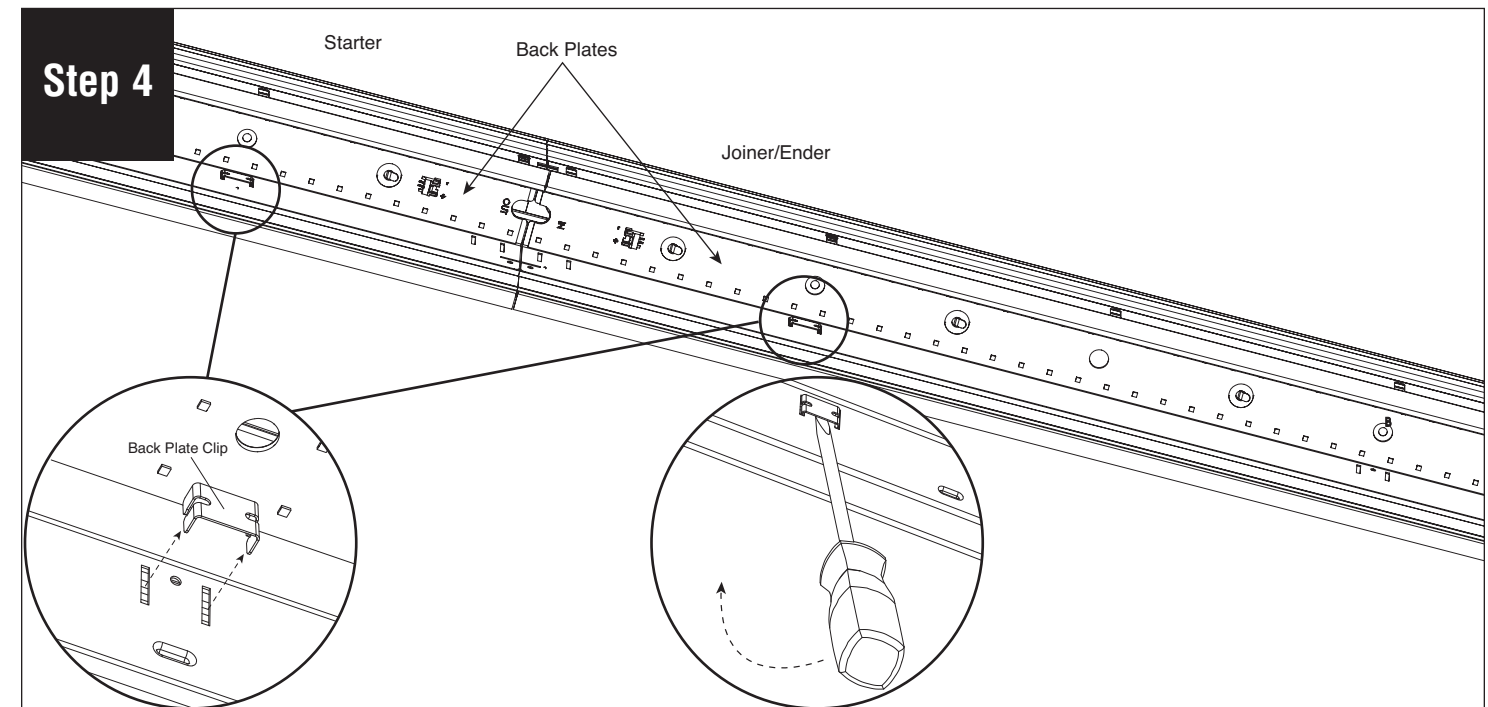
Remove diffuser and set aside to prevent it from getting dirty or damaged.



Install joiner/ender onto ceiling next to starter.



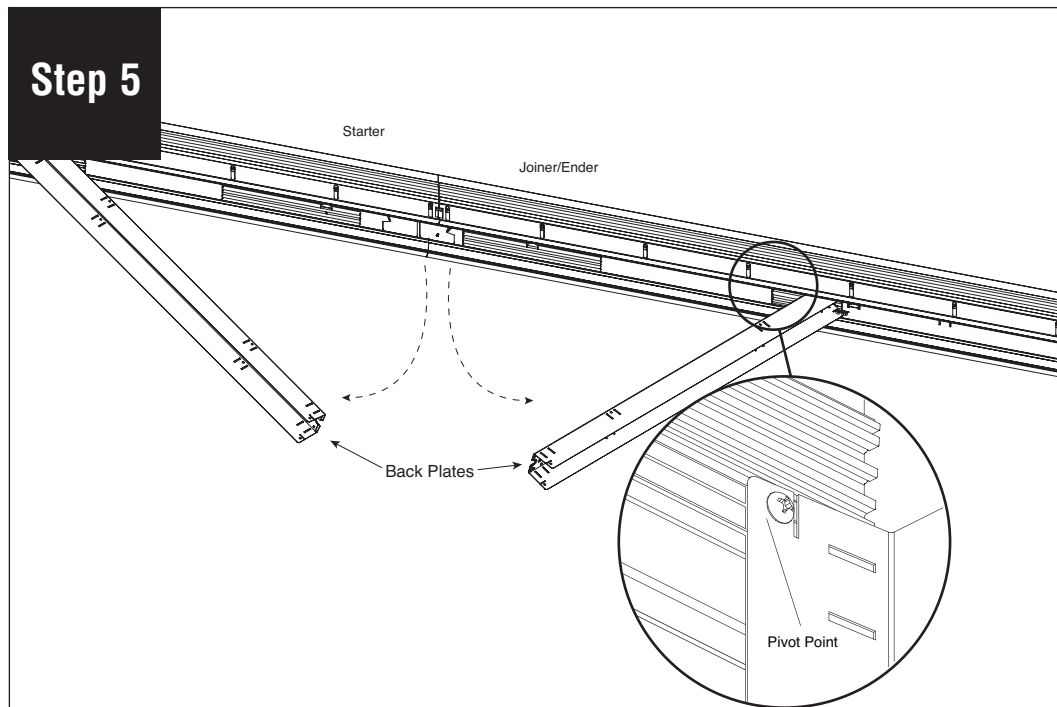
Install T-Bar bracket onto joiner/ender. Secure with #8-18 x 1/4" screws (provided). Secure all luminaires to structure using tie-wire (by others), as per code.



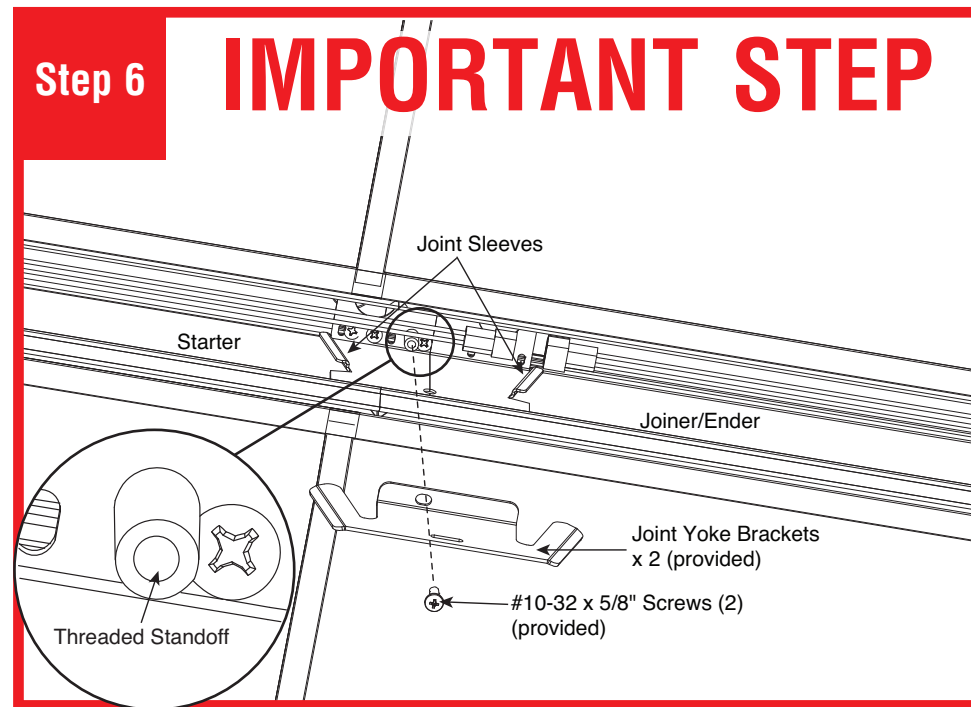
Remove back plate clips (provided) to release back plates. We recommend using a flat head screwdriver to get them loose. **CAUTION: Do not lose these pieces.**

**Note:** All power connections to be installed to local/national codes by a Certified Electrician.

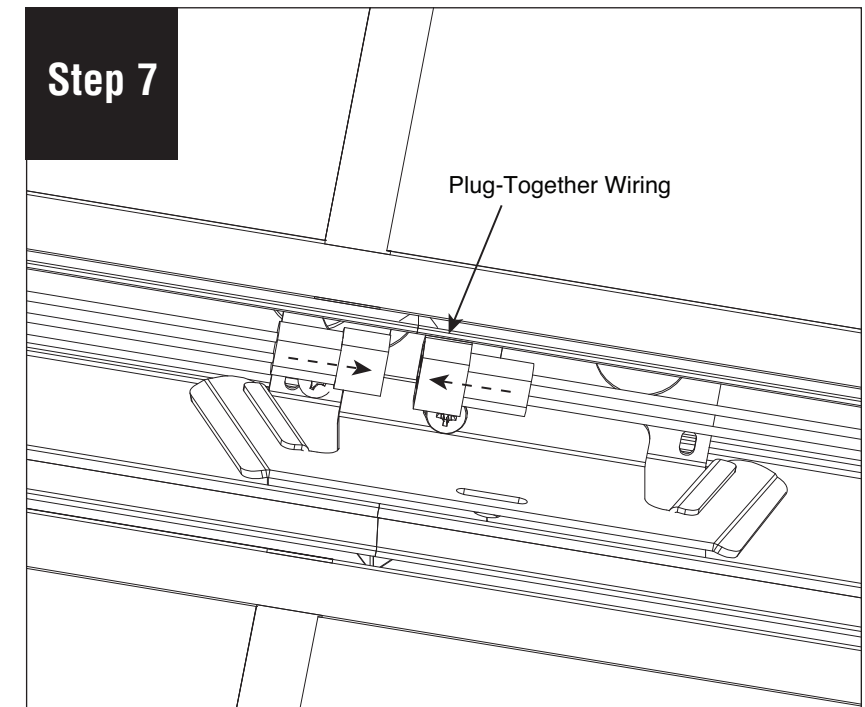
# HP-2 Recessed Flush Diffuser Tech Zone 4" Joiner/Ender Installation Instructions



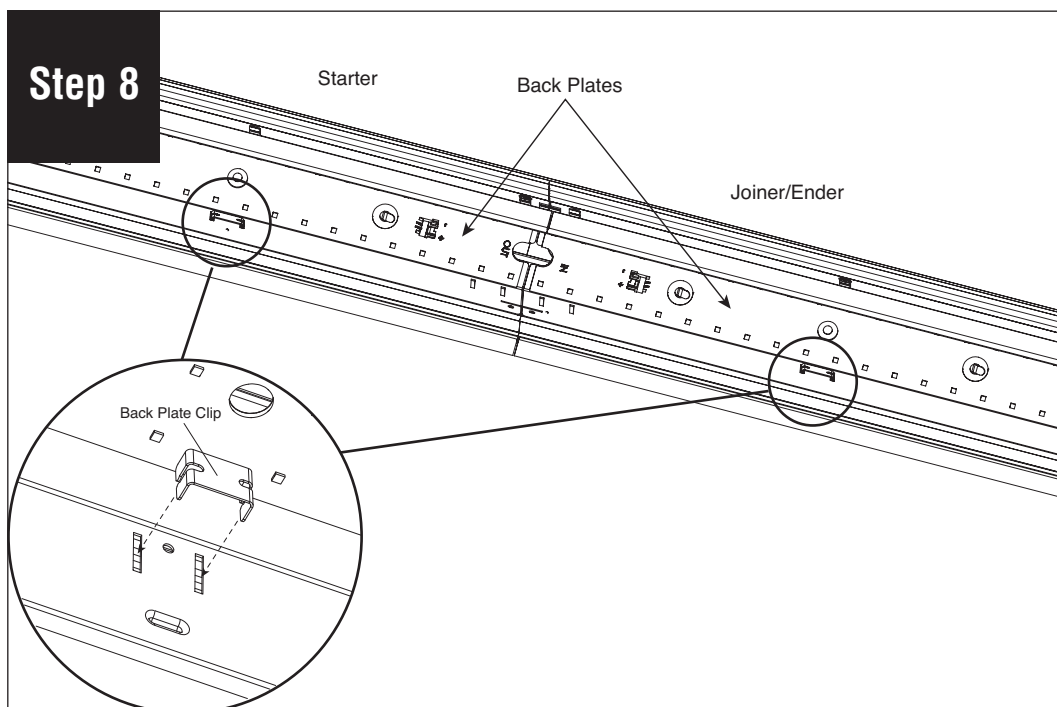
Slowly swing down back plates. **CAUTION: Do not twist back plate when swinging down - it will come out of the support extrusion.** Note that the screw shown is the pivot point and the back plate can be slid a few inches either way for ease of access to the driver space.



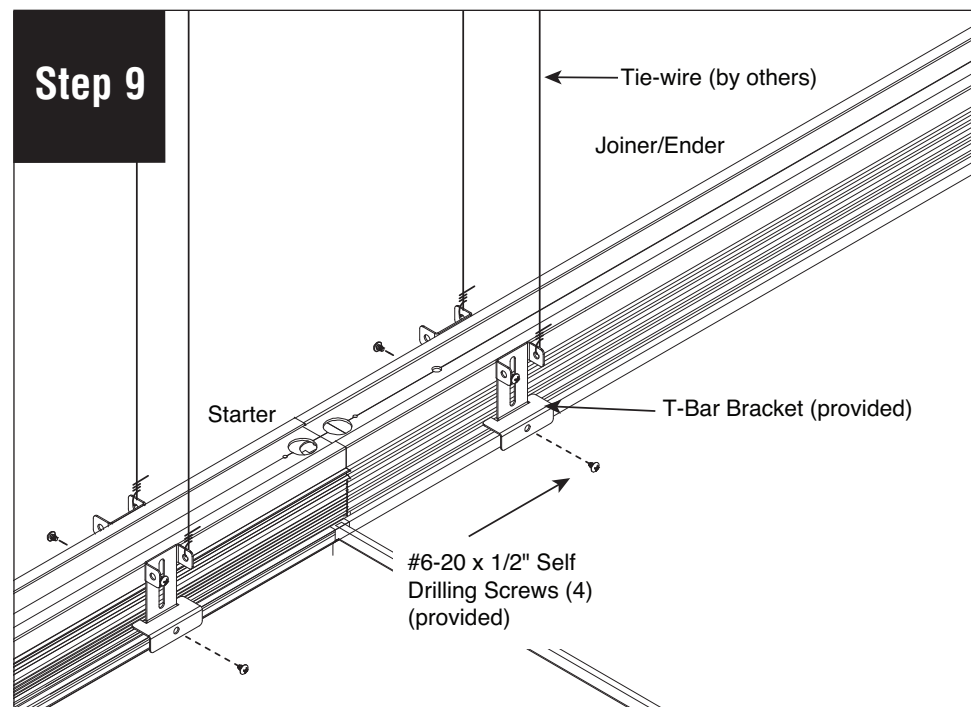
**IMPORTANT STEP:** Secure joint with two yoke brackets (provided) using #10-32 x 5/8" screws (provided). **CAUTION:** When installed correctly these brackets will pull luminaires together to make a tight joint. Do not over-tighten.



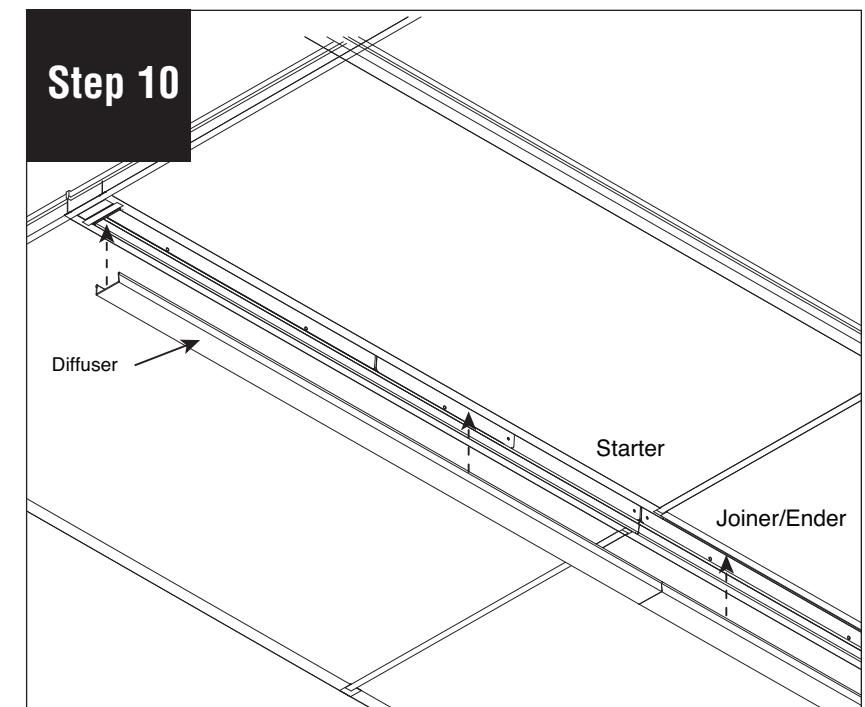
Connect plug-together wiring.



Replace back plates by holding them in their original position and pushing the clips back in. Make sure wire connections are not pinched. (If 1 ft. back plate assembly is near joint, reconnect feed harness to LED board.)



Secure joiner/ender to T-Bar with #6-20 x 1/2" self drilling screws (provided).



Reinstall diffuser and turn power on.

**Note:** All power connections to be installed to local/national codes by a Certified Electrician.