


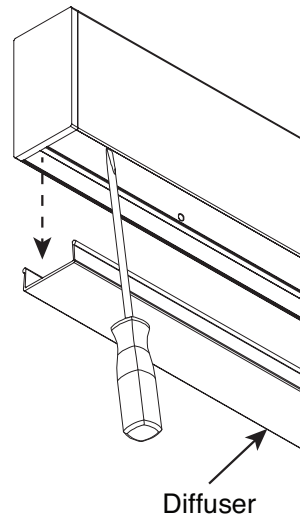
HP-2 Direct Wall Mount Starter/Independent Installation Instructions

Scan QR code for helpful video(s)



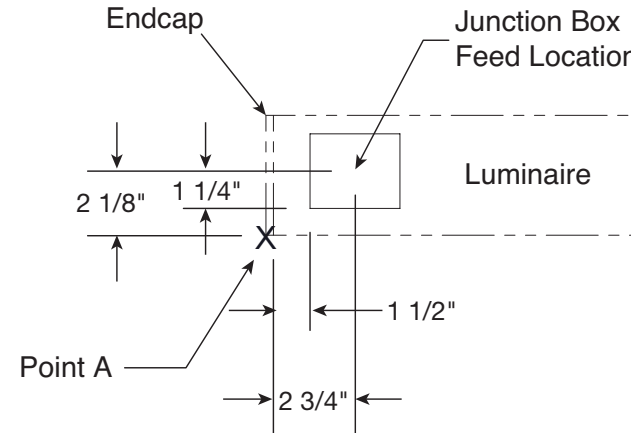
0 - 10V Dimming

Step 1



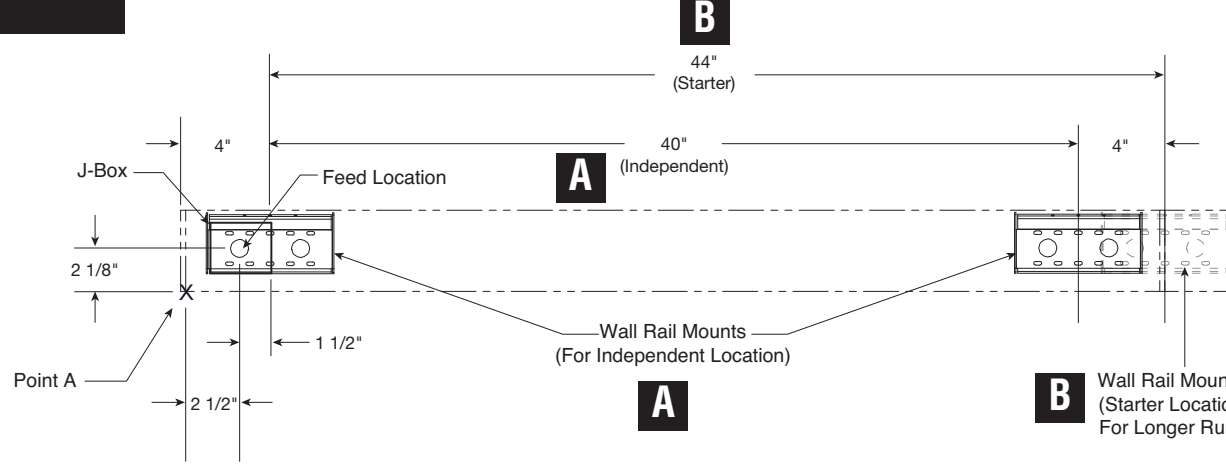
Diffuser

Step 2



Endcap
Junction Box Feed Location
Luminaire
Point A
2 1/8"
1 1/4"
1 1/2"
2 3/4"

Step 3



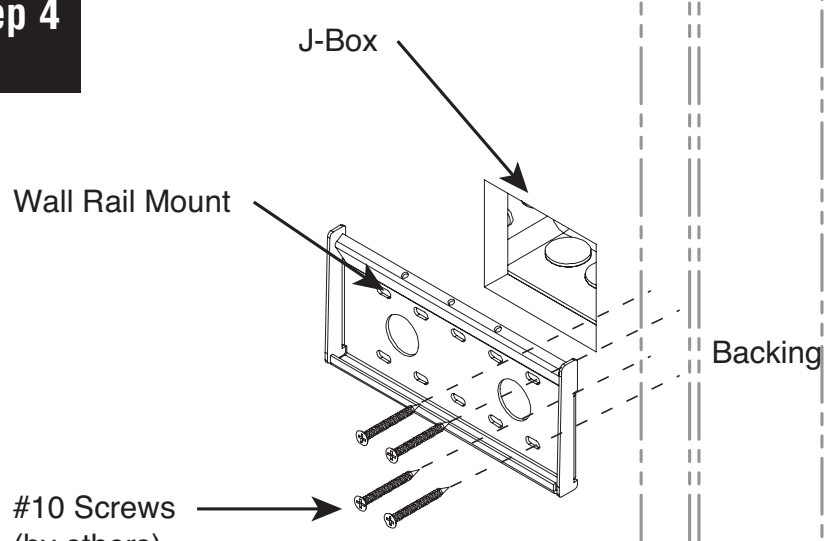
J-Box
Feed Location
Point A
4"
2 1/8"
1 1/2"
2 1/2"
40" (Independent)
44" (Starter)
4"
Wall Rail Mounts (For Independent Location)
Wall Rail Mounts (Starter Location For Longer Run)

Remove diffuser and set aside to prevent it from getting dirty or damaged.

Position luminaire on wall in desired location. Mark the bottom corner of the luminaire, do not include end cap. This will be Point A. Use Point A to find and mark feed location.

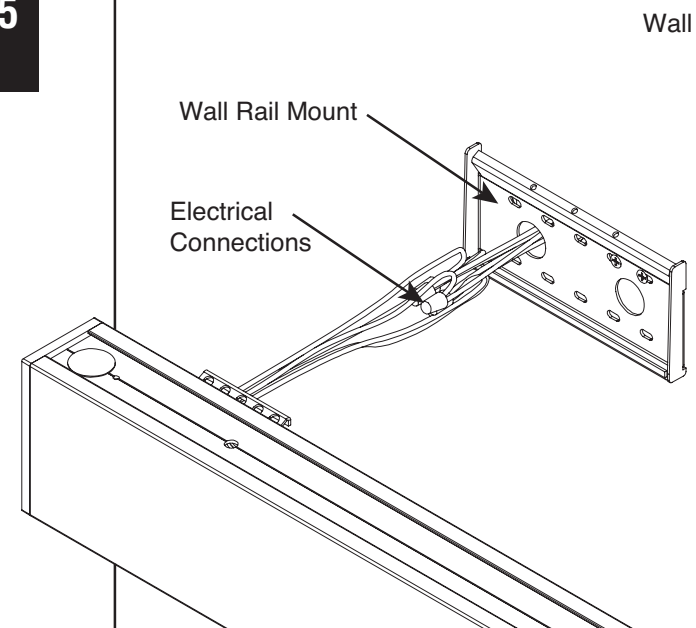
Use feed location to center and install junction box. Position and install starter wall rail mount. Center of mounting rail for independent is 4" from Point A as indicated. Make sure rail has proper backing (provided by others). For independent use **A** to locate second wall rail mount. For starter with joiner use **B** to locate second wall rail mount.

Step 4



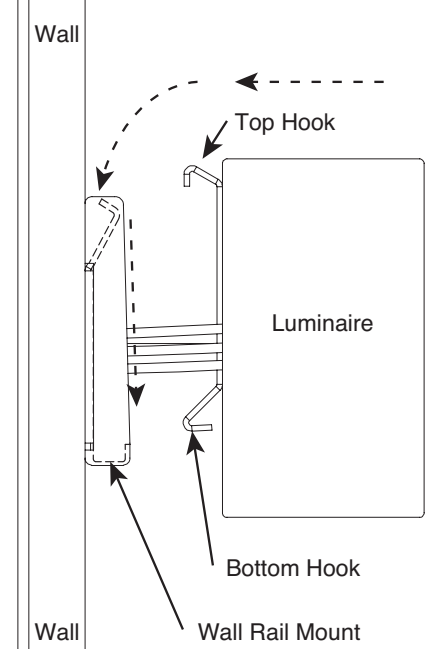
J-Box
Wall Rail Mount
Backing
#10 Screws (by others)

Step 5



Wall
Wall Rail Mount
Electrical Connections

Step 6



Wall
Wall Rail Mount
Top Hook
Bottom Hook
Luminaire

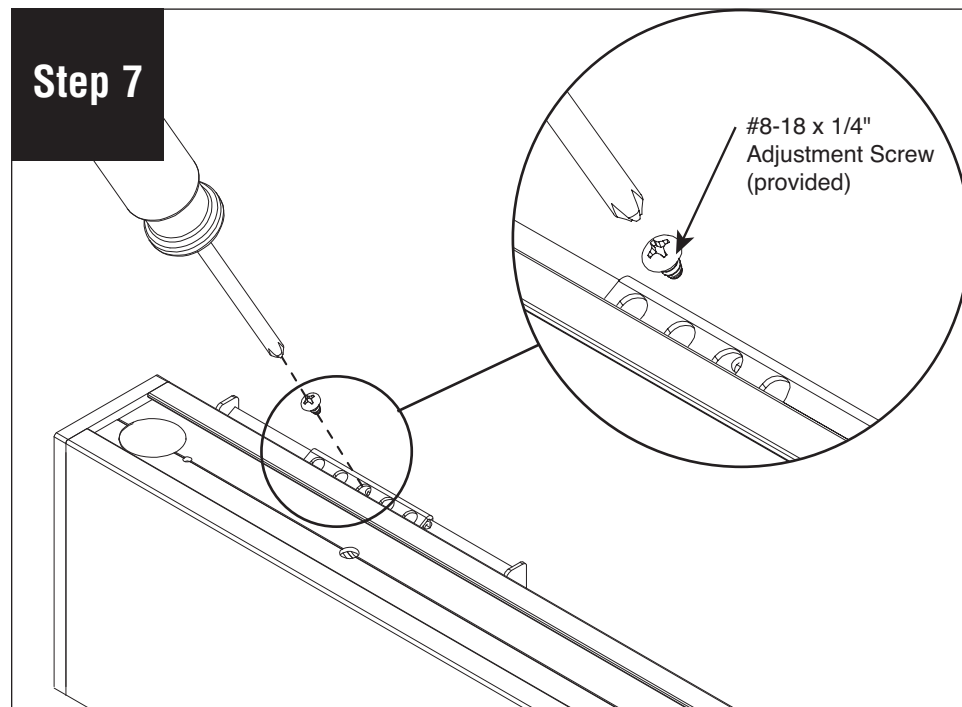
Level wall rail mount to ensure proper mounting. Install #10 screws (by others) through rail and into backing.

Make electrical connections and push completed wiring into junction box.

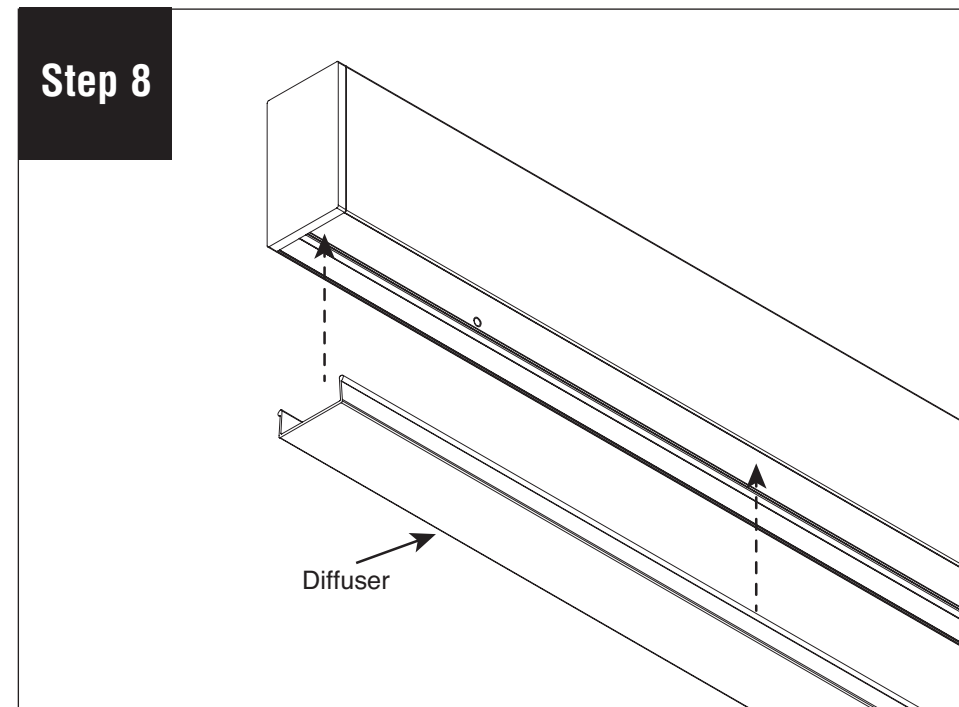
Install luminaire onto wall rail mounts then slide it straight down to engage hooks on top and bottom of wall rail mount.

Note: All power connections to be installed to local/national codes by a Certified Electrician.

HP-2 Direct Wall Mount Starter/Independent Installation Instructions



Install #8-18 x 1/4" adjustment screws (provided) onto mounting brackets. Use screws to level luminaire. Tighten to raise and loosen to lower.




Reinstall diffuser and turn power on to luminaire.

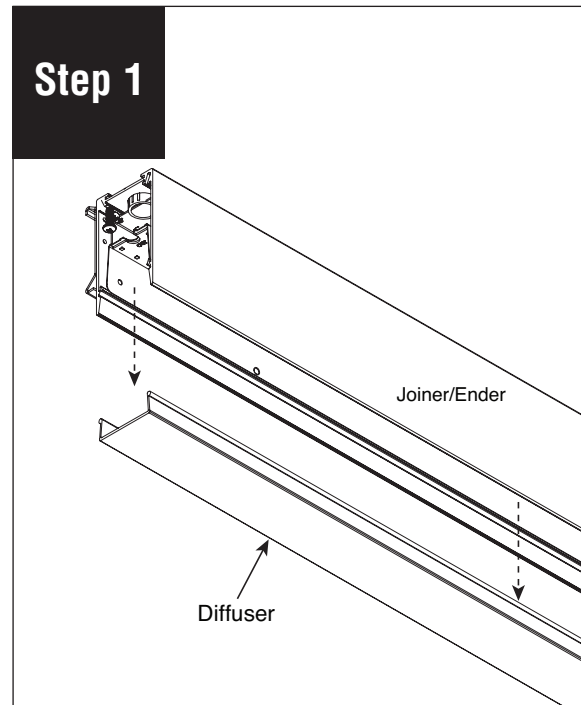
Note: All power connections to be installed to local/national codes by a Certified Electrician.

HP-2 Direct Wall Mount Joiner/Ender Installation Instructions

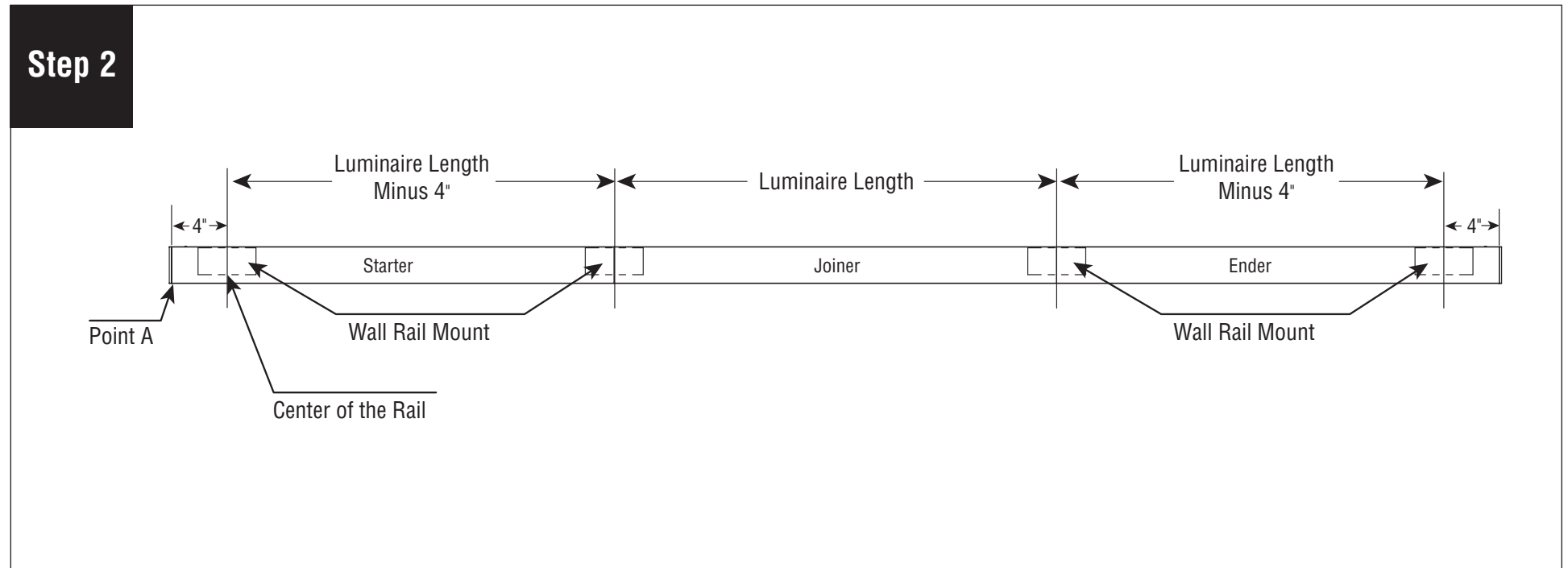
Scan QR code for helpful video(s)



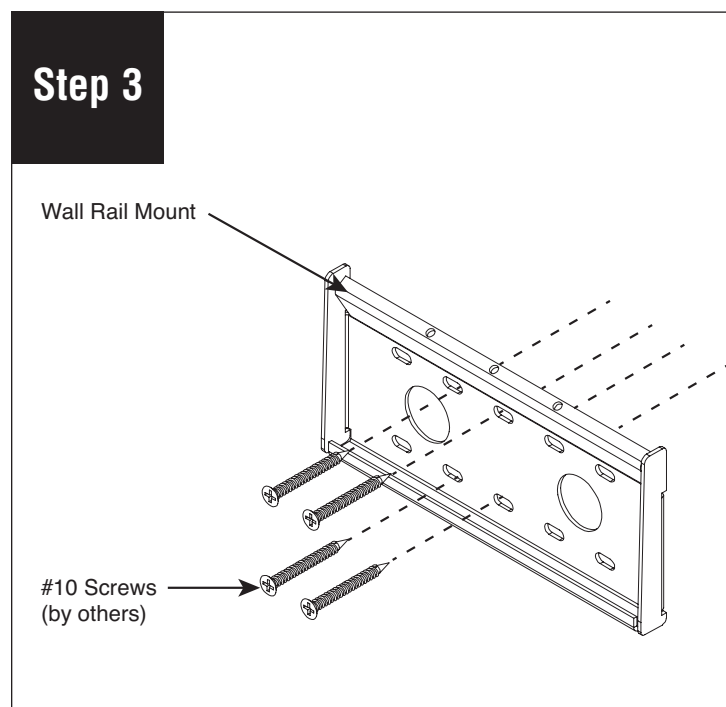
0 - 10V Dimming



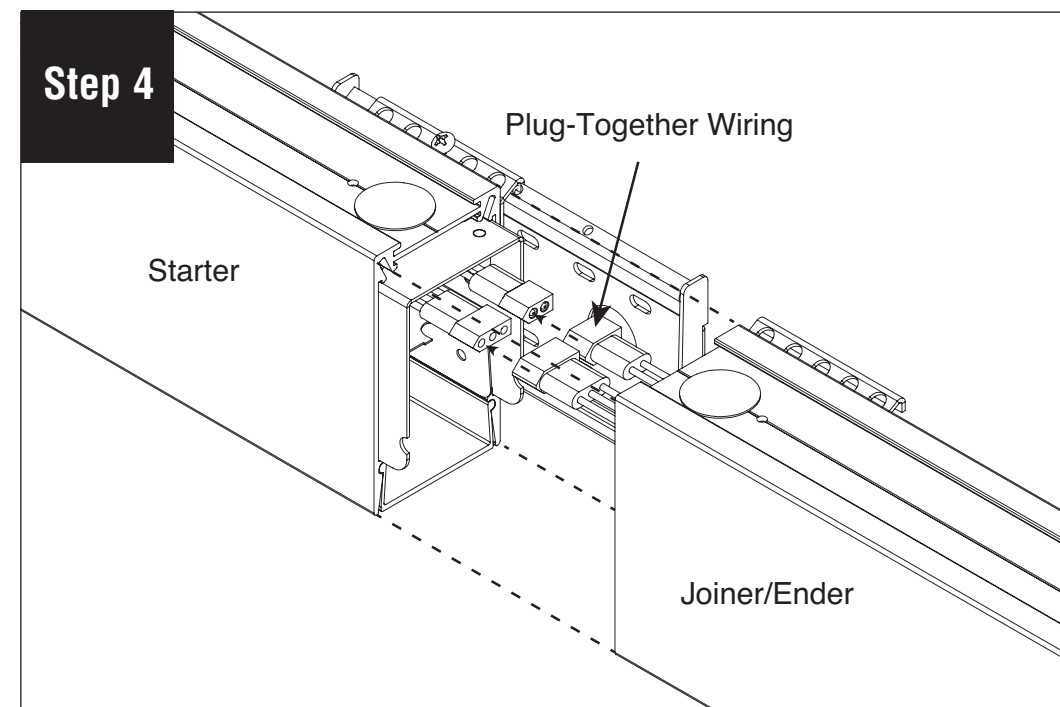
Remove diffuser and set aside to prevent it from getting dirty or damaged.



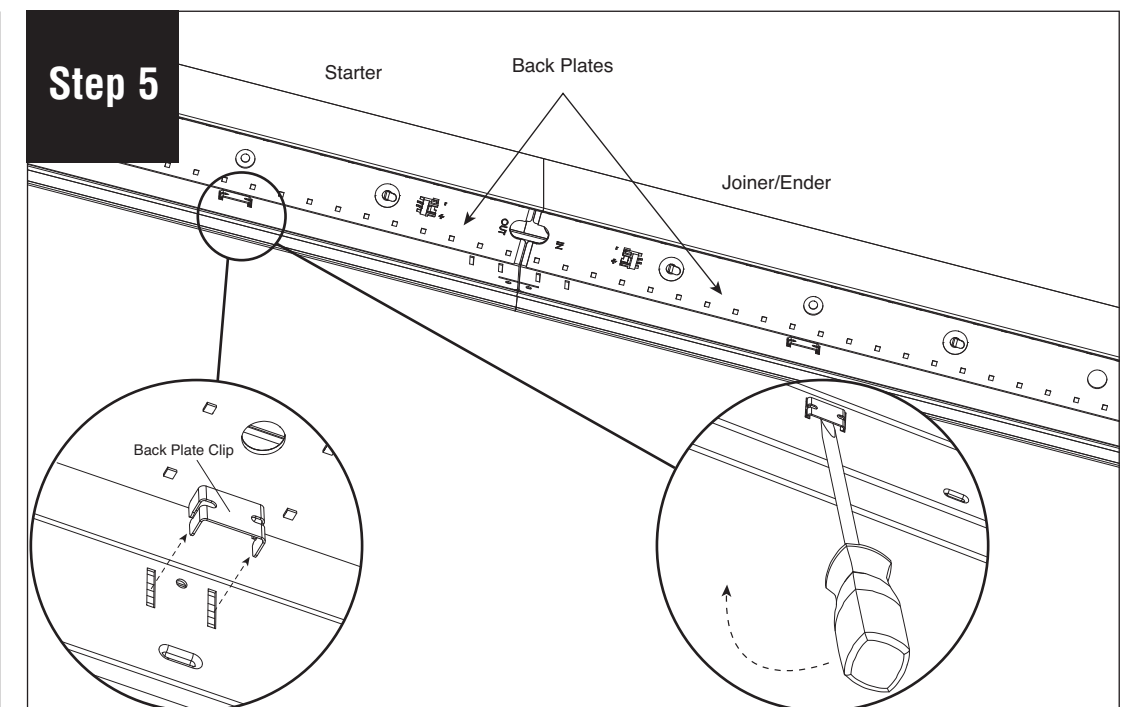
Position wall rail mounts as indicated above. Center of mounting rail for starter is 4" from Point A as indicated on the Starter/Independent installation instructions. Make sure wall rail mount has proper backing (provided by others).



Level wall rail mount to ensure proper mounting. Install #10 screws (provided by others) through rail and into backing.



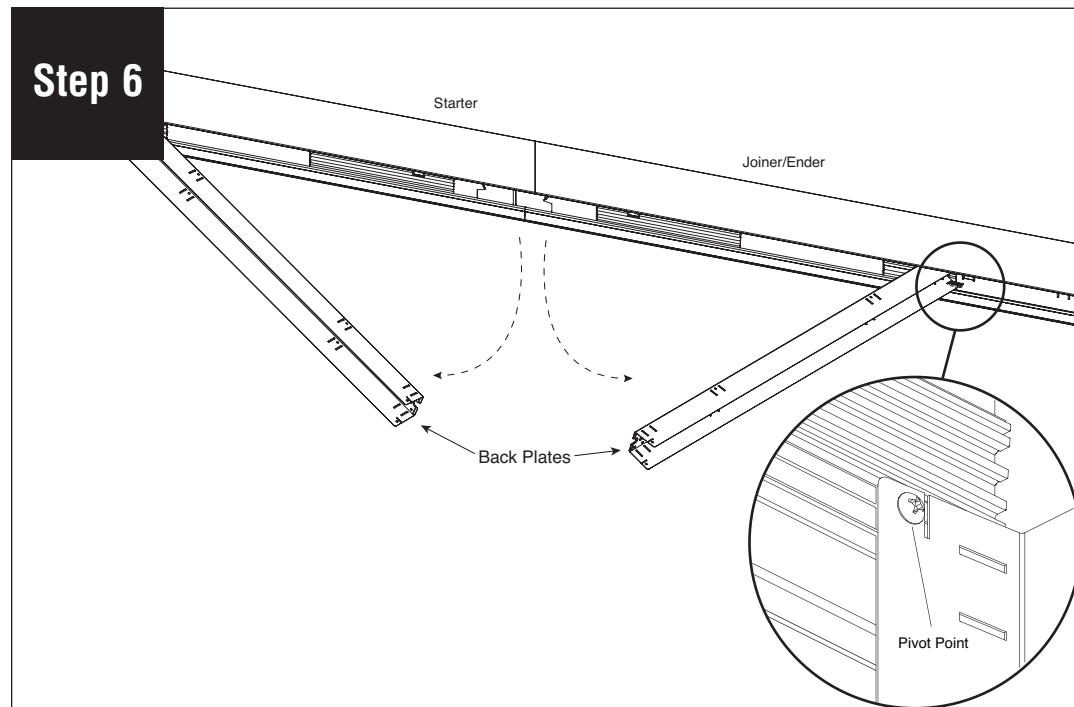
Connect plug-together wiring. Slide starter and joiner/ender luminaires together then install onto wall rail mount. Slide straight down to engage hooks on top and bottom of brackets. Be careful not to damage any wiring.



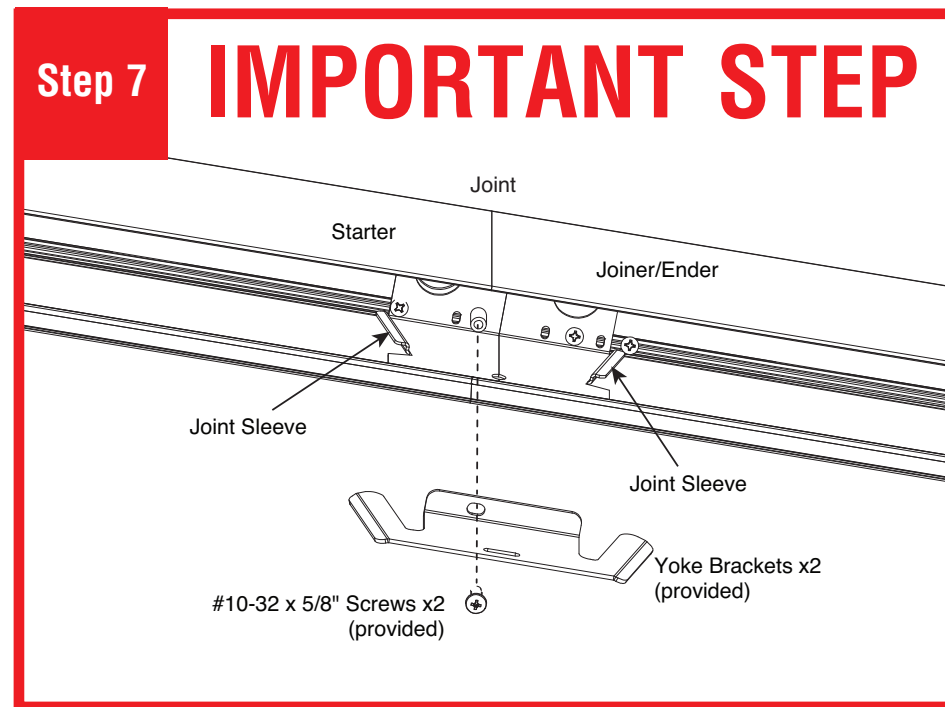
Remove back plate clips (provided) to release back plates. We recommend using a flat head screwdriver to get them loose. **CAUTION: Do not lose these pieces.**

Note: All power connections to be installed to local/national codes by a Certified Electrician.

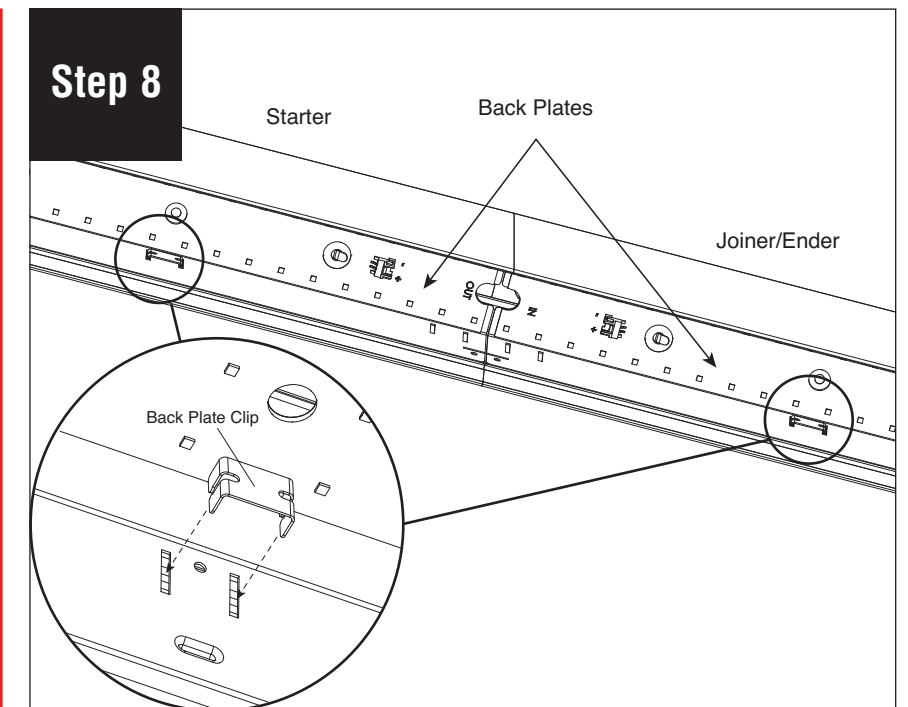
HP-2 Direct Wall Mount Joiner/Ender Installation Instructions



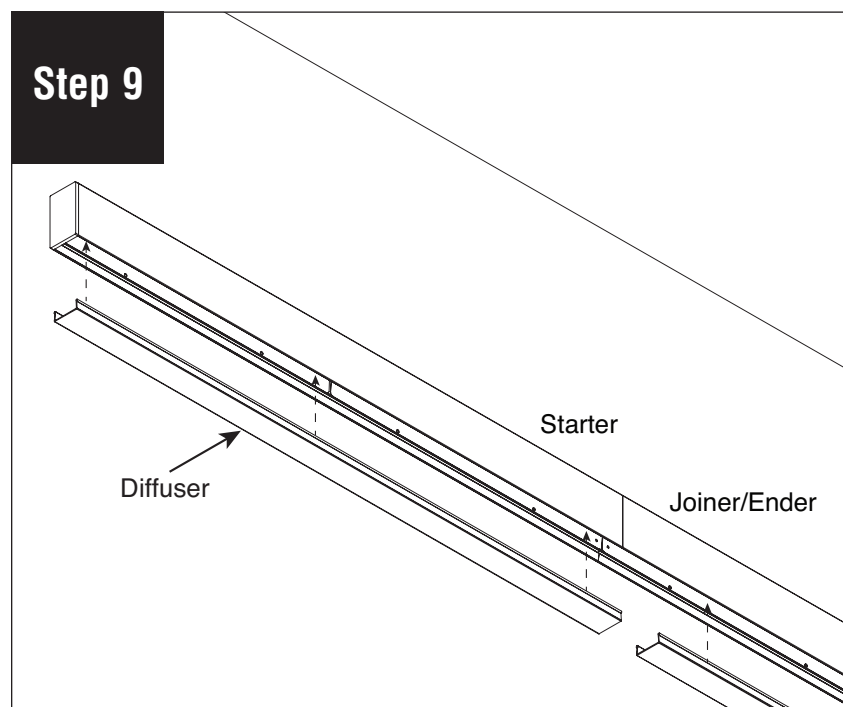
Slowly swing down back plates. **CAUTION: Do not twist back plate when swinging down – it will come out of the support extrusion.** Note that the screw shown is the pivot point and the back plate can be slid a few inches either way for ease of access to the driver space.



IMPORTANT STEP: Secure joint with two yoke brackets using #10-32 x 5/8" screws (provided). **CAUTION:** When installed correctly these brackets will pull luminaires together to make a tight joint. Do not over-tighten.



Replace back plates by holding them in their original position and pushing the clips back in. Make sure wire connections are not pinched. (If 1 ft. back plate assembly is near joint, reconnect feed harness to LED board).



Reinstall diffuser and turn power on to luminaire.

Note: All power connections to be installed to local/national codes by a Certified Electrician.