
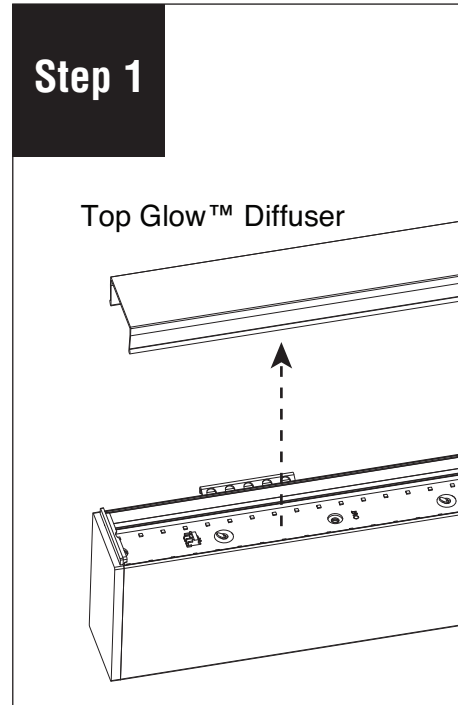


HP-2 Wall Mount Indirect Starter/Independent Installation Instructions

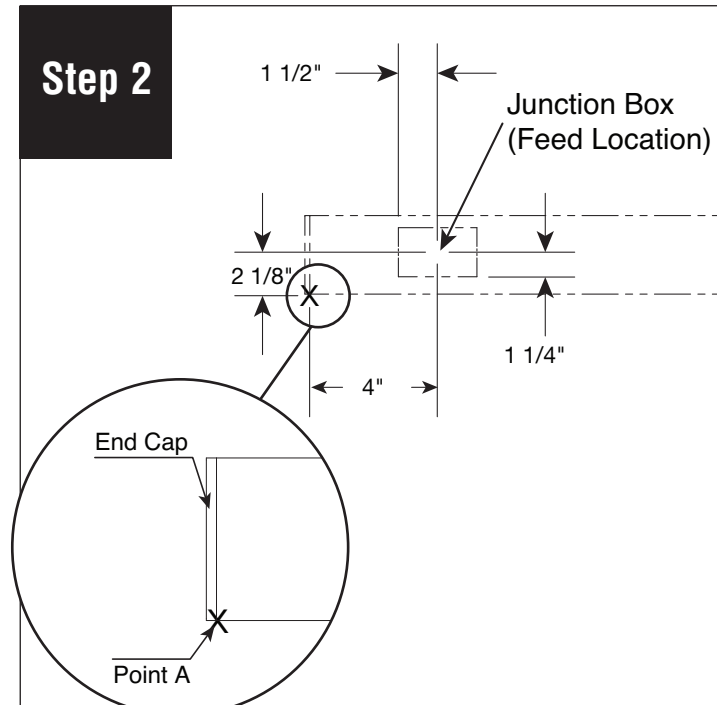
Scan QR code for helpful video(s)



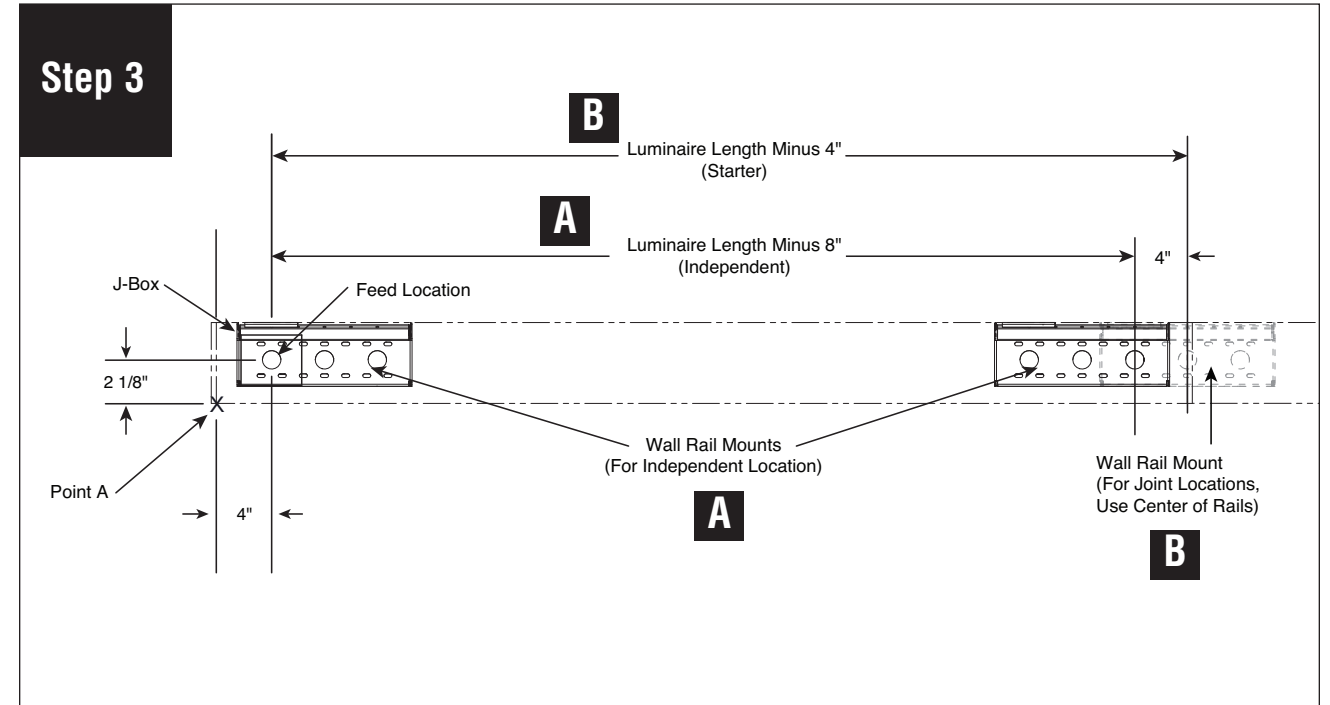
0 - 10V Dimming



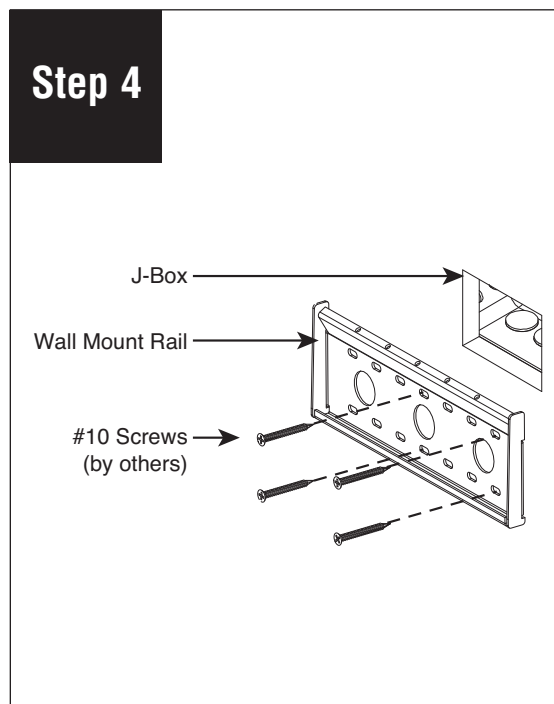
Remove Top Glow™ diffuser and set aside to prevent it from getting dirty or damaged.



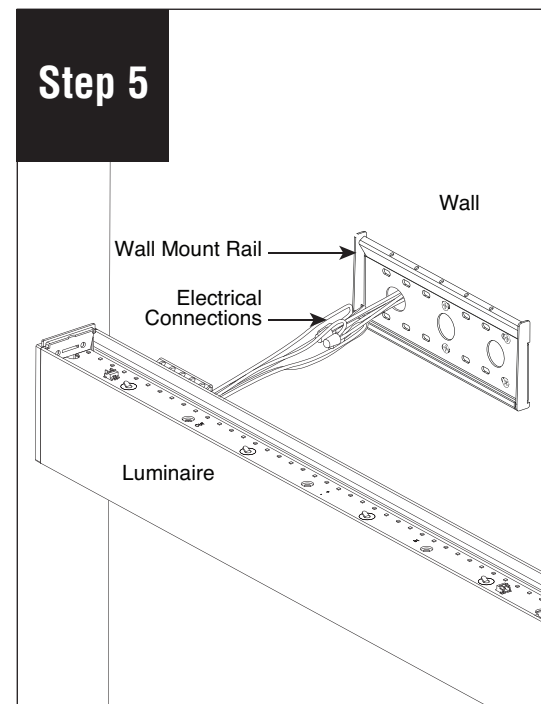
Position luminaire on wall in desired location. Mark the bottom corner of the luminaire, do not include end cap. This will be point A. Use point A to find and mark feed location.



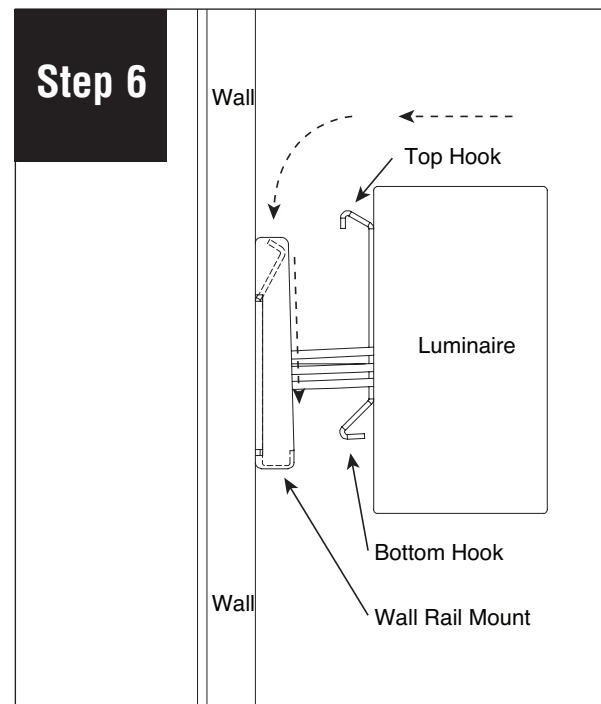
Use feed location to center and install junction box. Position and install starter wall rail mount. Center of the feed hole for independent is 4" from Point A as indicated. Make sure rail has proper backing (provided by others). For independent use A. to locate second wall rail mount. For starter with joiner use B. to locate second wall rail mount.



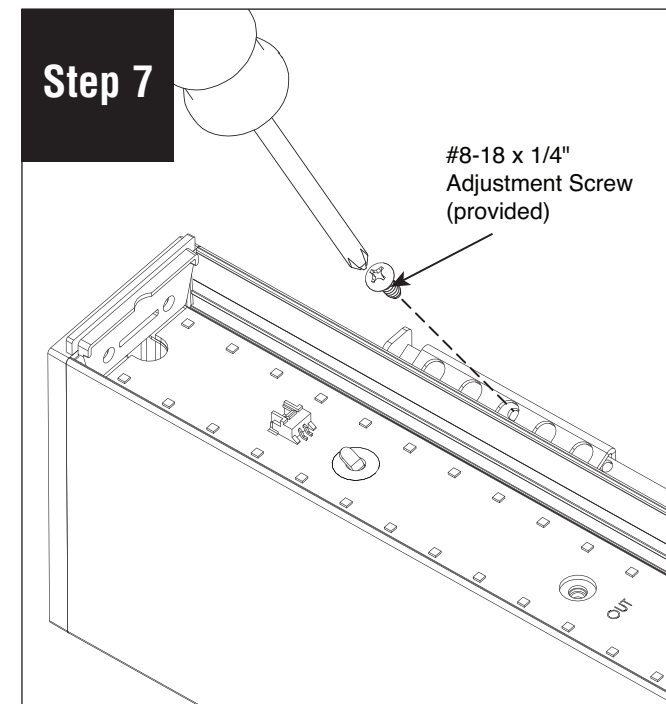
Level wall rail mount to ensure proper mounting. Install #10 screws (by others) through rail and into proper backing.



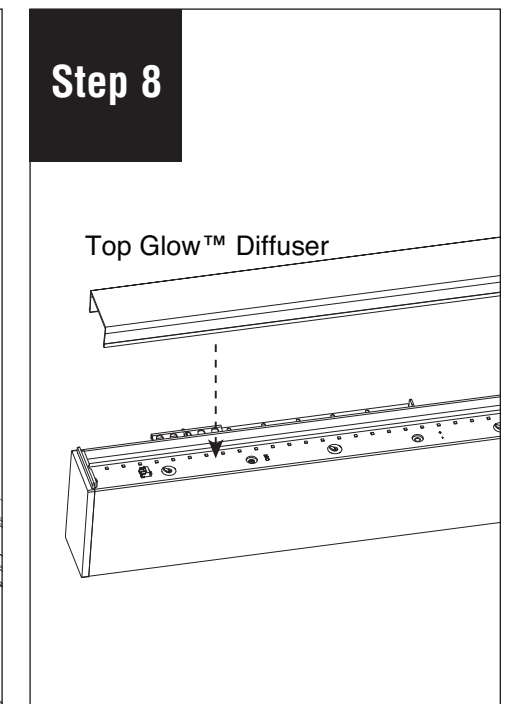
Make electrical connections and push completed wiring into junction box.



Install luminaire onto wall rail mounts then slide it straight down to engage hooks on top and bottom of wall rail mount.



Install #8-18 x 1/4" adjustment screws (provided) onto mounting brackets. Use screws to level luminaire. Tighten to raise and loosen to lower.



Reinstall Top Glow diffuser and turn power on luminaire.

Note: All power connections to be installed to local/national codes by a Certified Electrician.

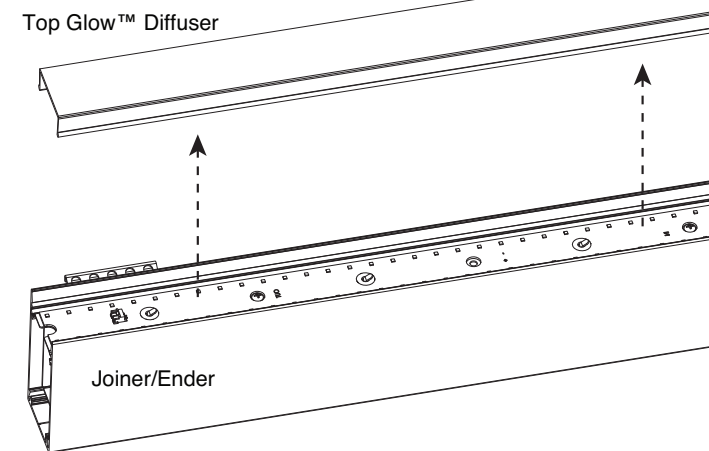
HP-2 Wall Mount Indirect Joiner/Ender Installation Instructions

Scan QR code for helpful video(s)



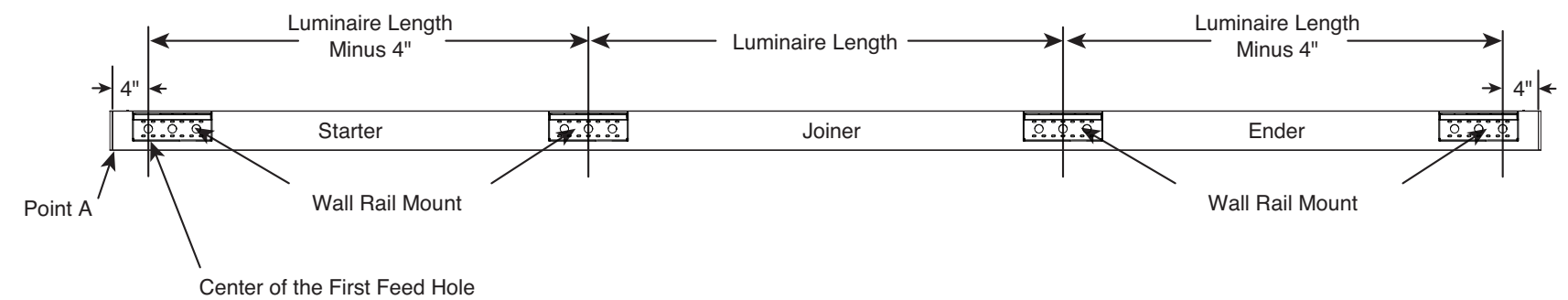
0 - 10V Dimming

Step 1



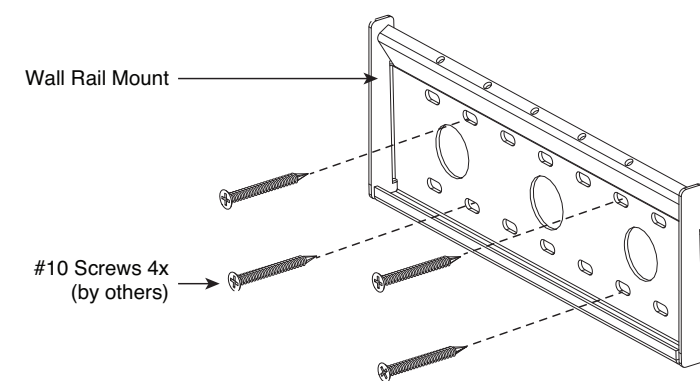
Remove joiner Top Glow™ diffuser and set aside to prevent it from getting dirty or damaged.

Step 2



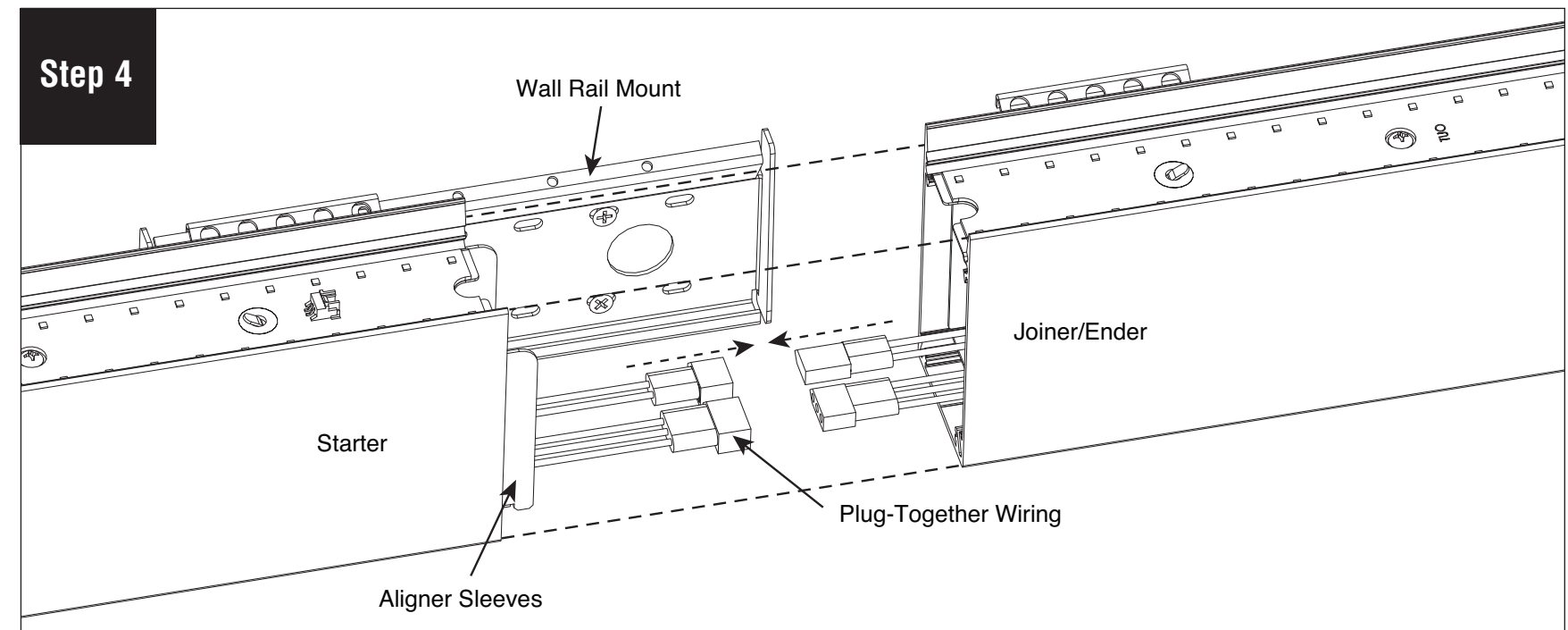
Position wall rail mounts as indicated above. Center of the first feed hole for starter is 4" from Point A **as indicated on the Starter/Independent installation instructions step 3** (A and B). Make sure wall rail mount has proper backing (by others).

Step 3



Level wall rail mount to ensure proper mounting. Install screws (by others) through rail and into proper backing.

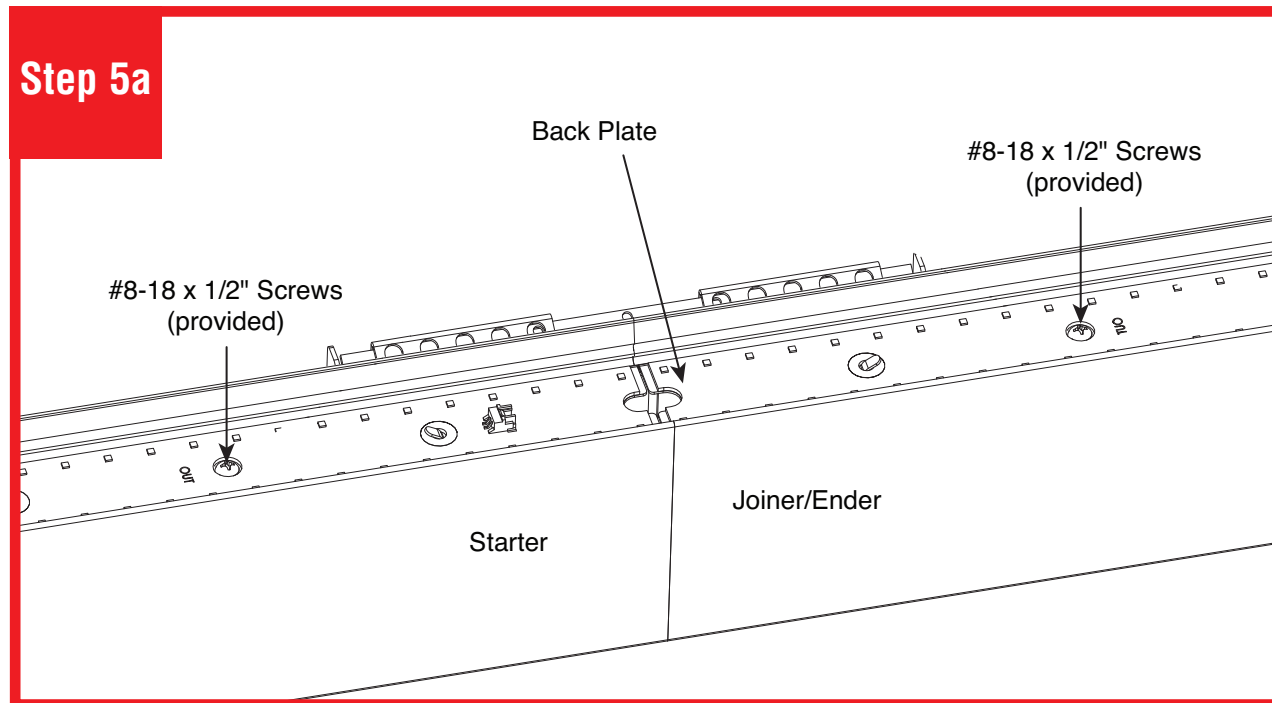
Step 4



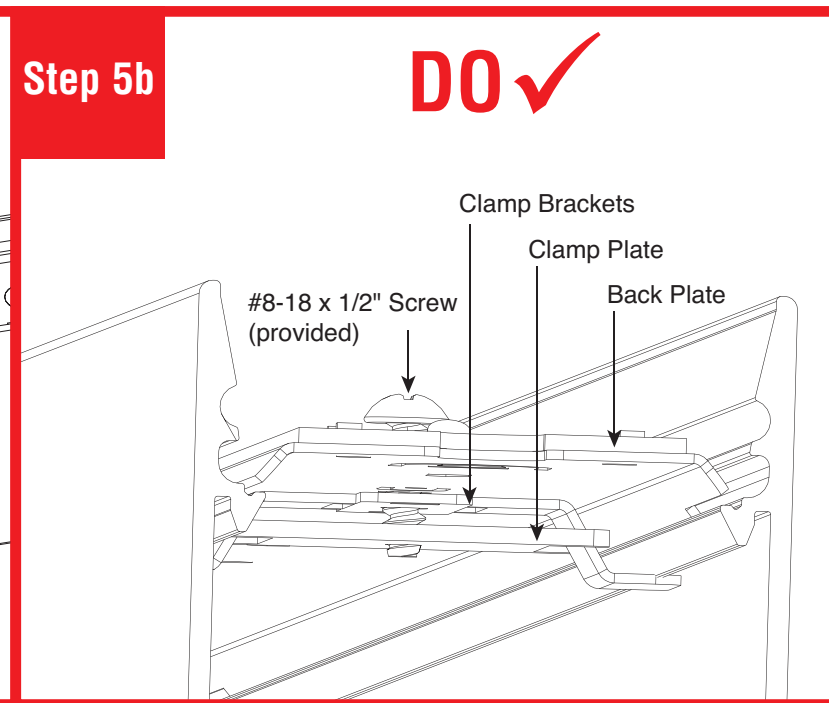
Connect plug-together wiring. Slide starter and joiner/ender luminaires together then install onto wall rail mount. Slide straight down to engage hooks on top and bottom of brackets. Be careful not to damage any wiring.

Note: All power connections to be installed to local/national codes by a Certified Electrician.

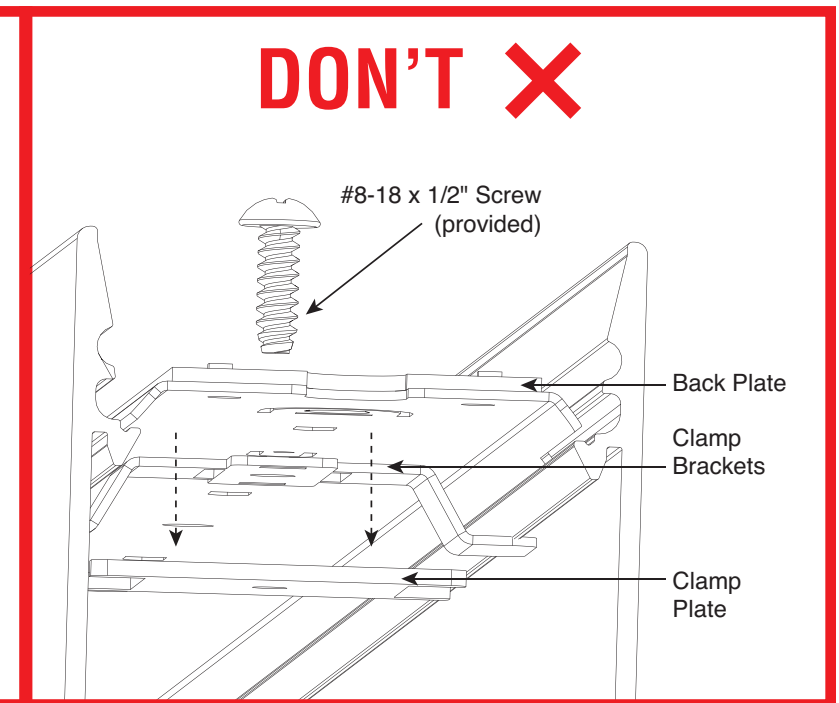
HP-2 Wall Mount Indirect Joiner/Ender Installation Instructions



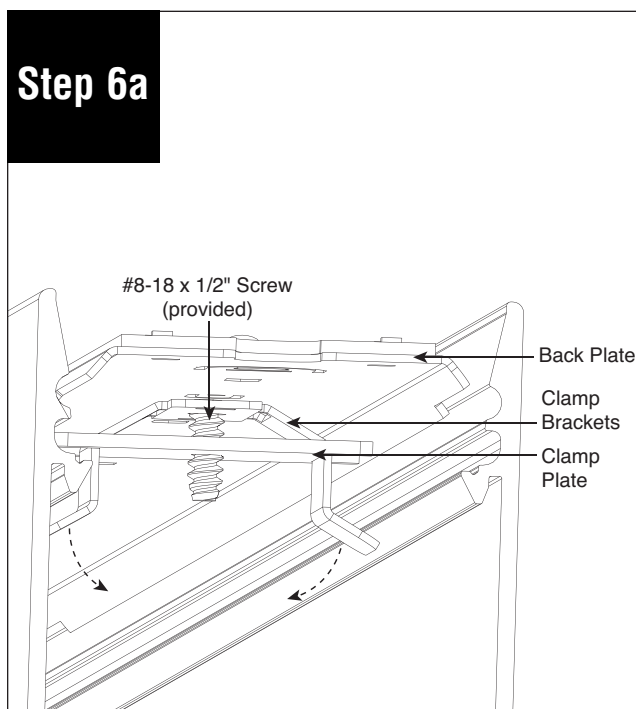
A. Locate #8-18 x 1/2" screws (provided) for removal of back plate (Note: there may be several along the length of the array).



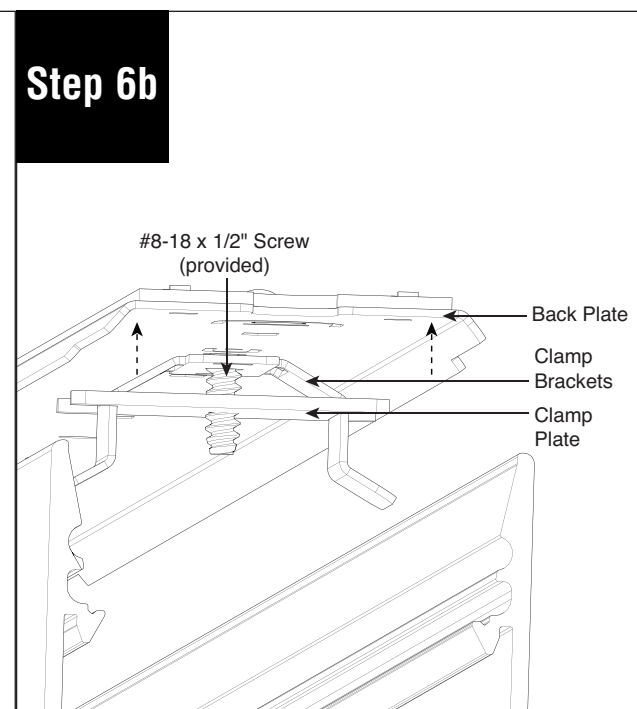
B. Loosen #8-18 x 1/2" screws (provided) about 3X revolutions from back plate assemblies.



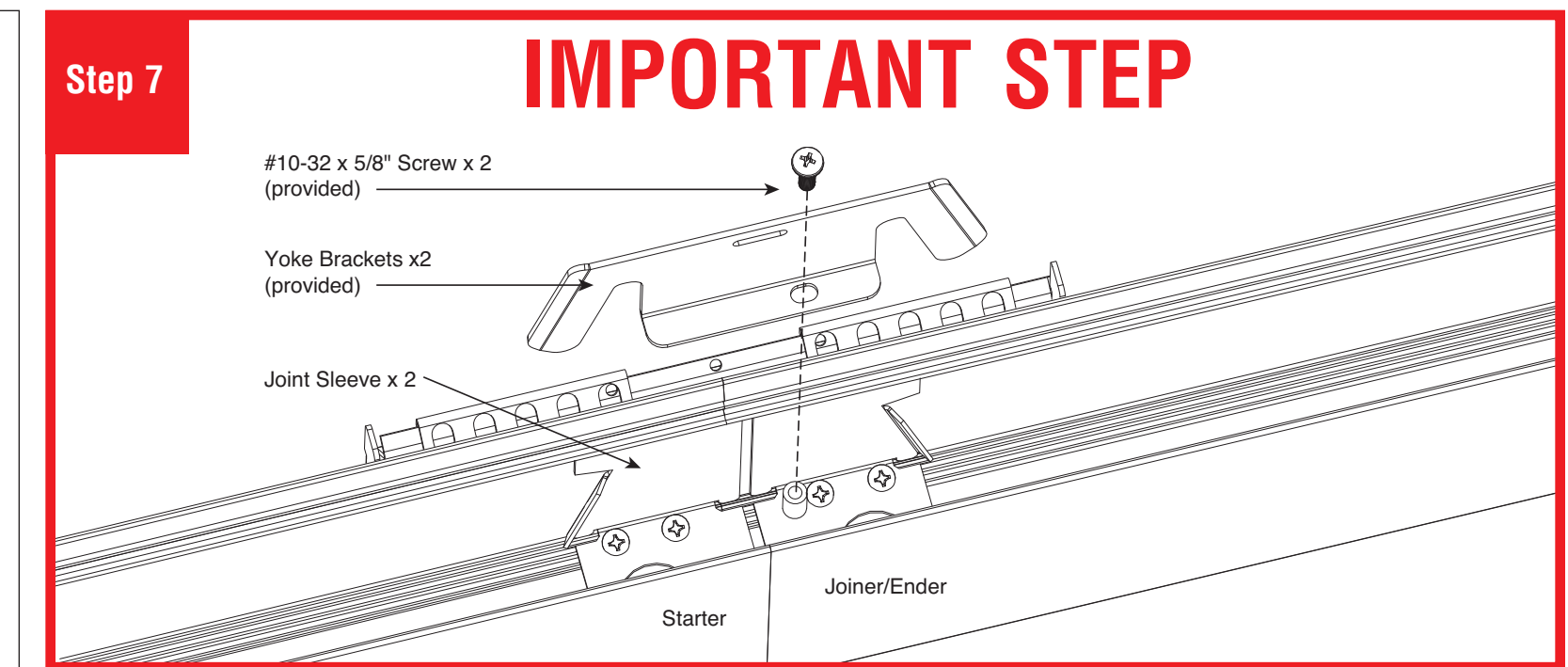
DO NOT loosen too much so that clamp plate fall off. If they do, just re-install them to the underside of the back plate.



A. Lift backplate until clamp brackets fold and release from body. If they still will not release, loosen screws one more revolution and try again.



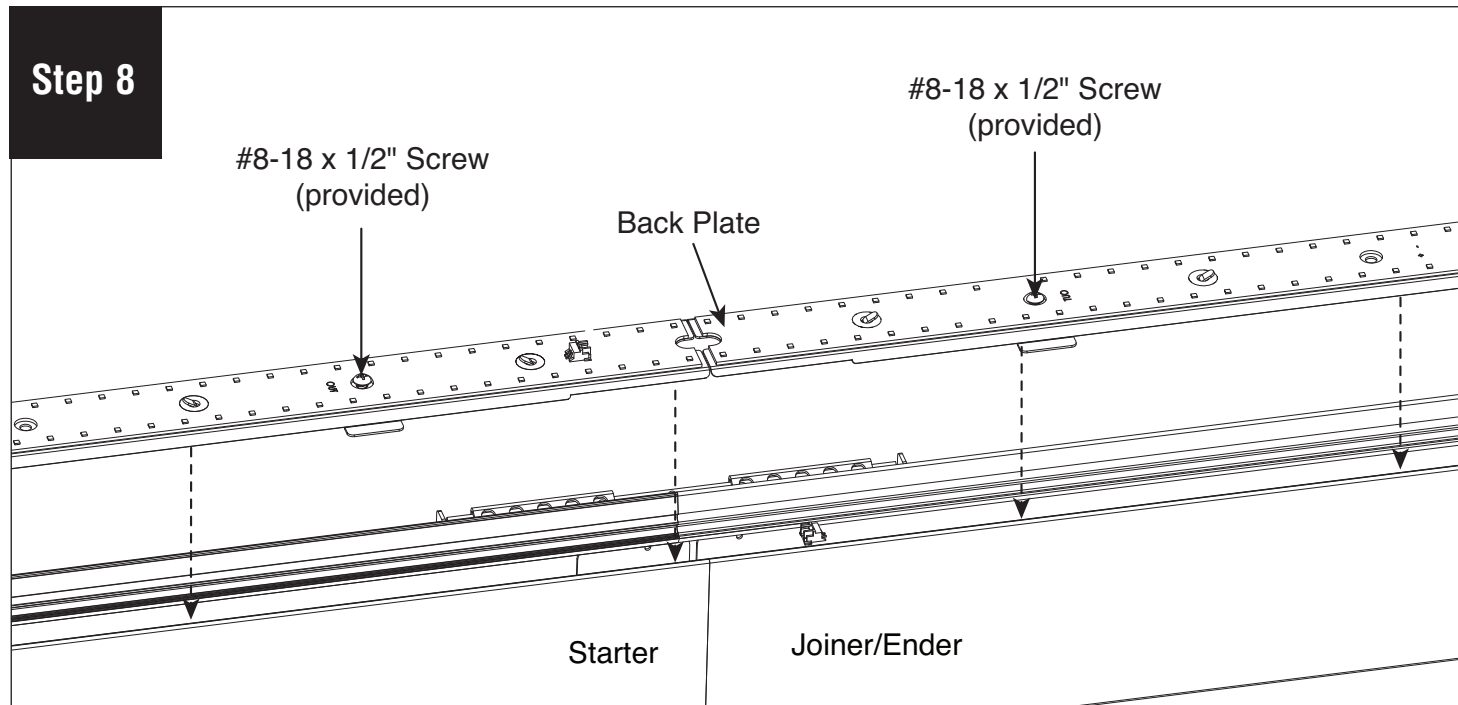
B. Lift and remove back plate assembly and set aside.



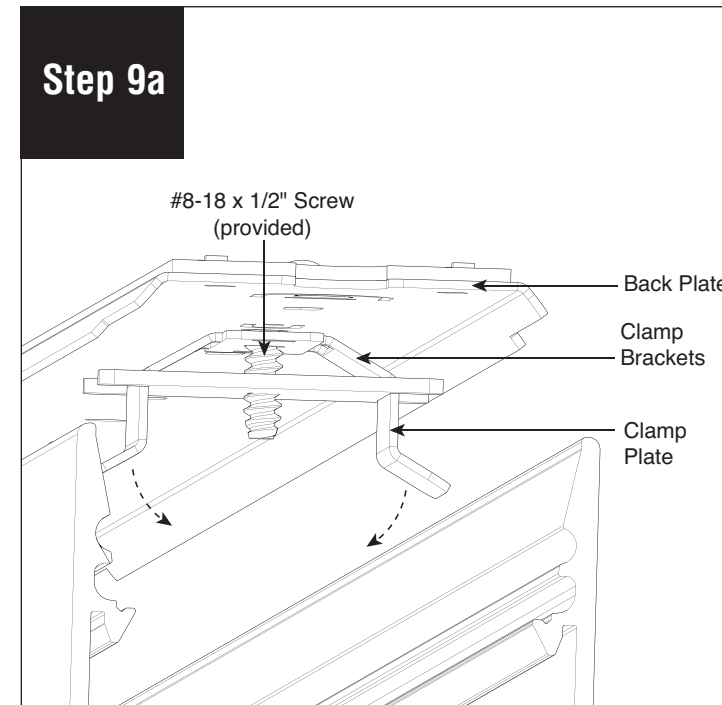
IMPORTANT STEP: Secure joint with two yoke brackets (provided) using #10-32 x 5/8" screws (provided). **CAUTION:** When installed correctly these brackets will pull luminaires together to make a tight joint. Do not over-tighten.

Note: All power connections to be installed to local/national codes by a Certified Electrician.

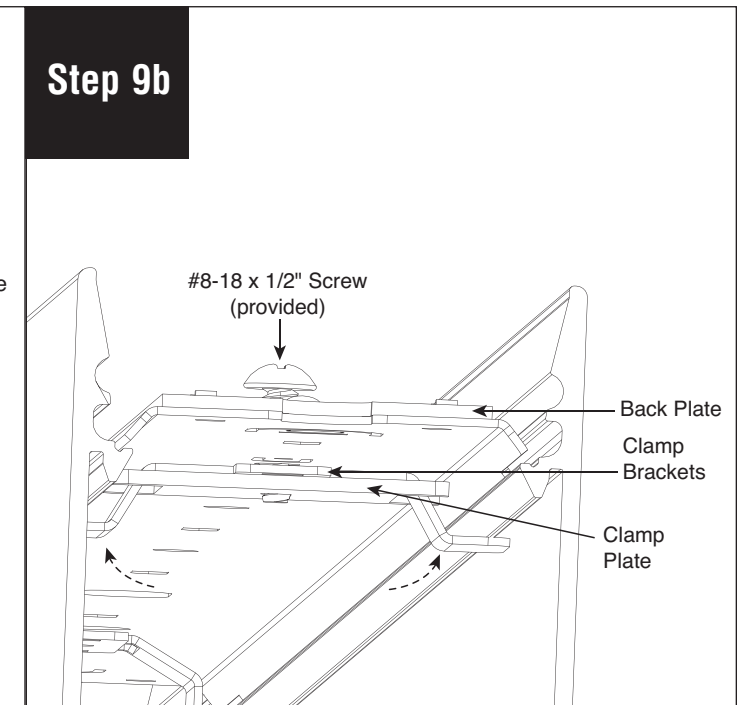
HP-2 Wall Mount Indirect Joiner/Ender Installation Instructions



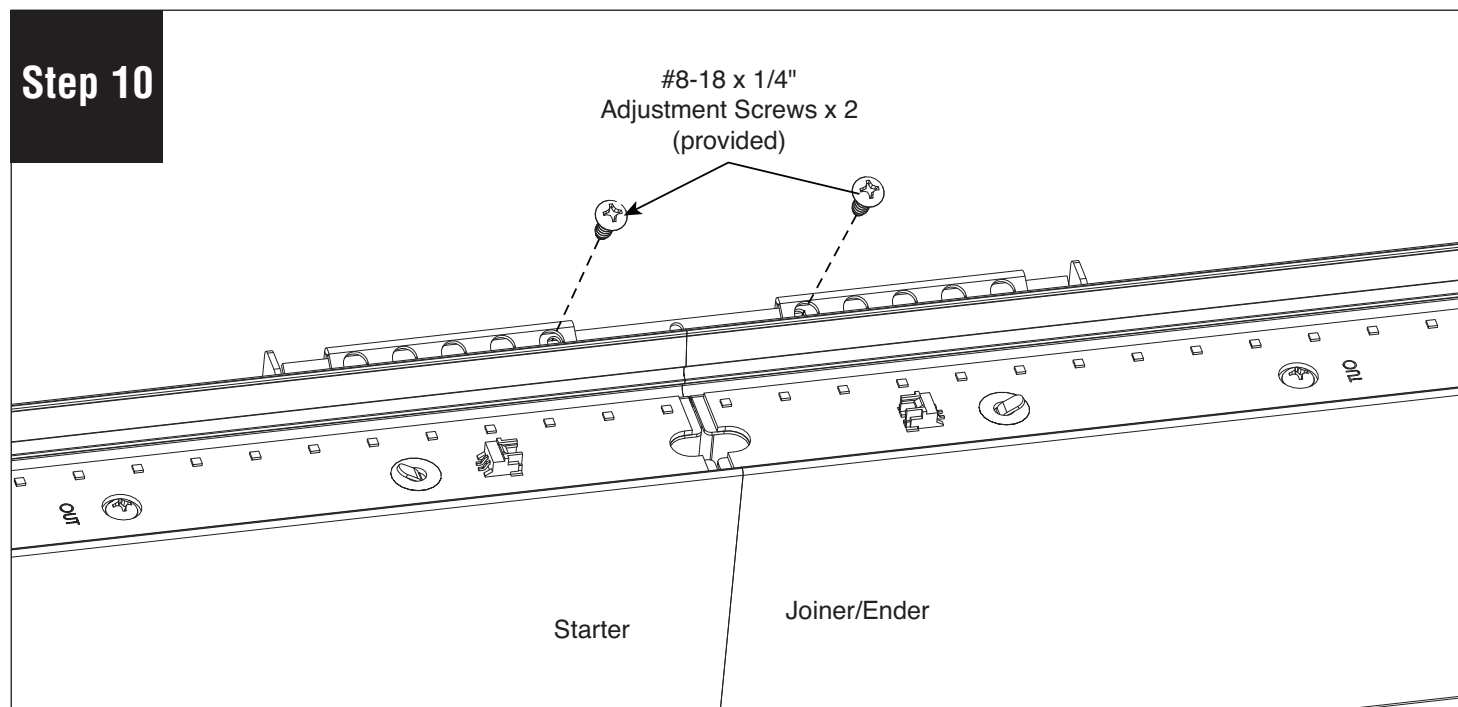
Reinstall back plates using the same #8-18 x 1/2" screws (provided).



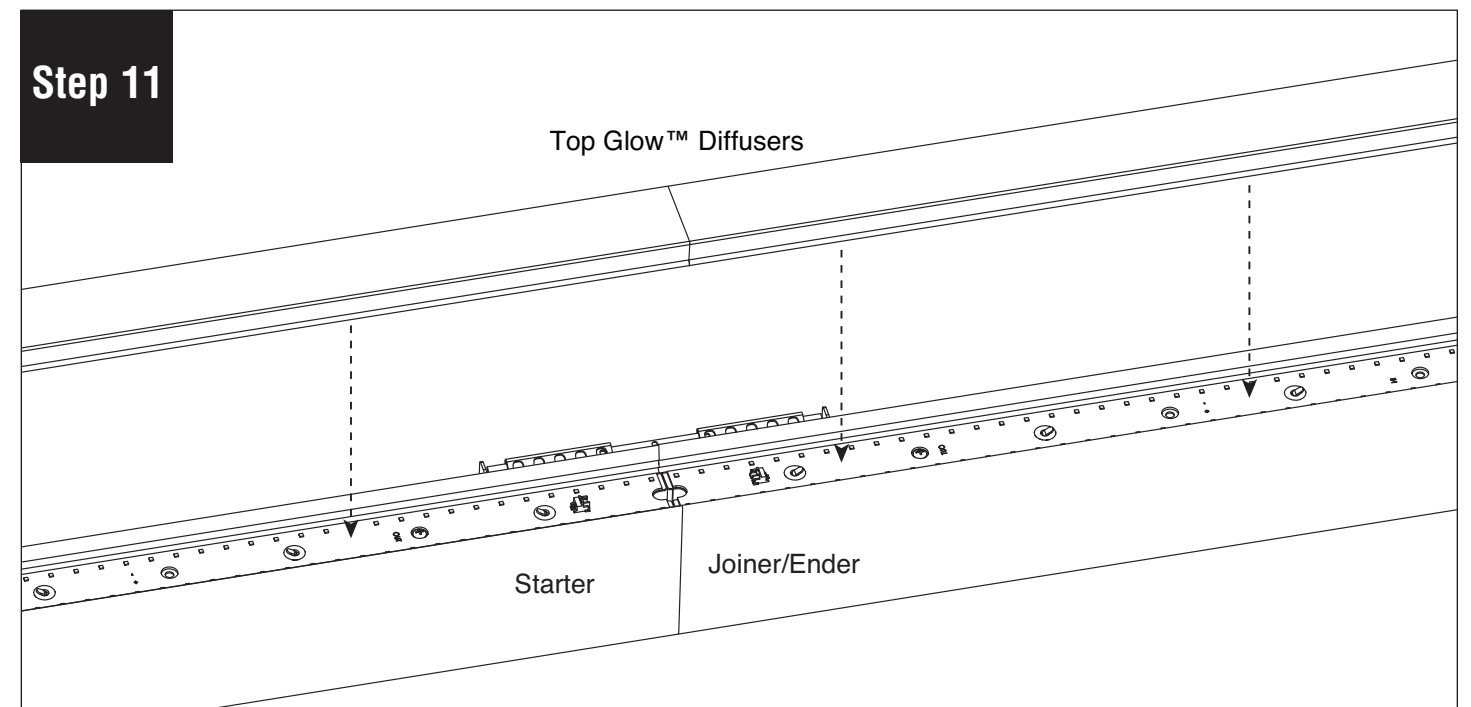
A. Squeeze together clamp legs slightly by hand to make sure that they clear the side walls.



B. Insert assembly down into body. Tighten screw fully in order to clamp the legs tightly to the body.



Install #8-18 x 1/4" adjustment screws (provided) onto mounting brackets. Use screws to level luminaire. Tighten to raise and loosen to lower.



Reinstall Top Glow diffusers and turn power on to luminaire.

Note: All power connections to be installed to local/national codes by a Certified Electrician.