
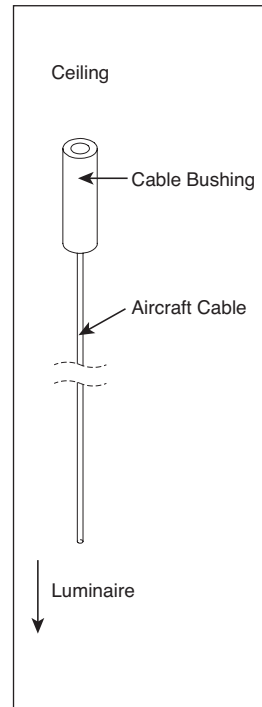


HP-4 Direct Starter/Independent Installation Instructions

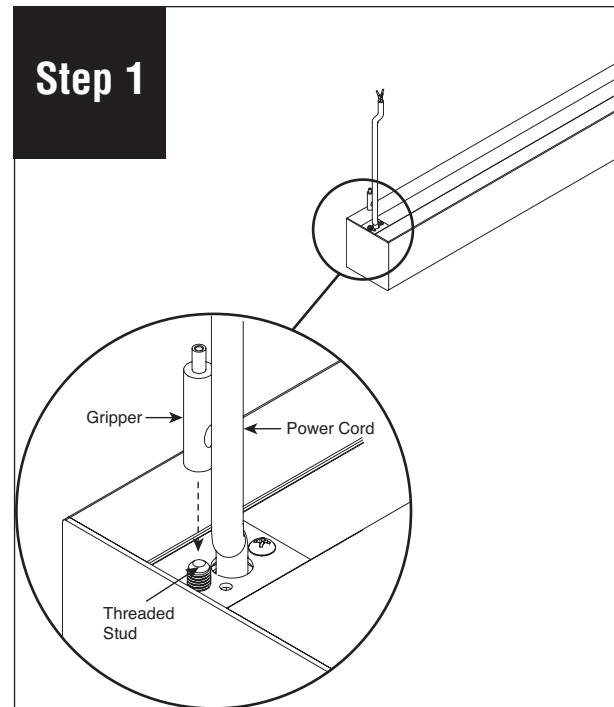
Scan QR code for helpful video(s)



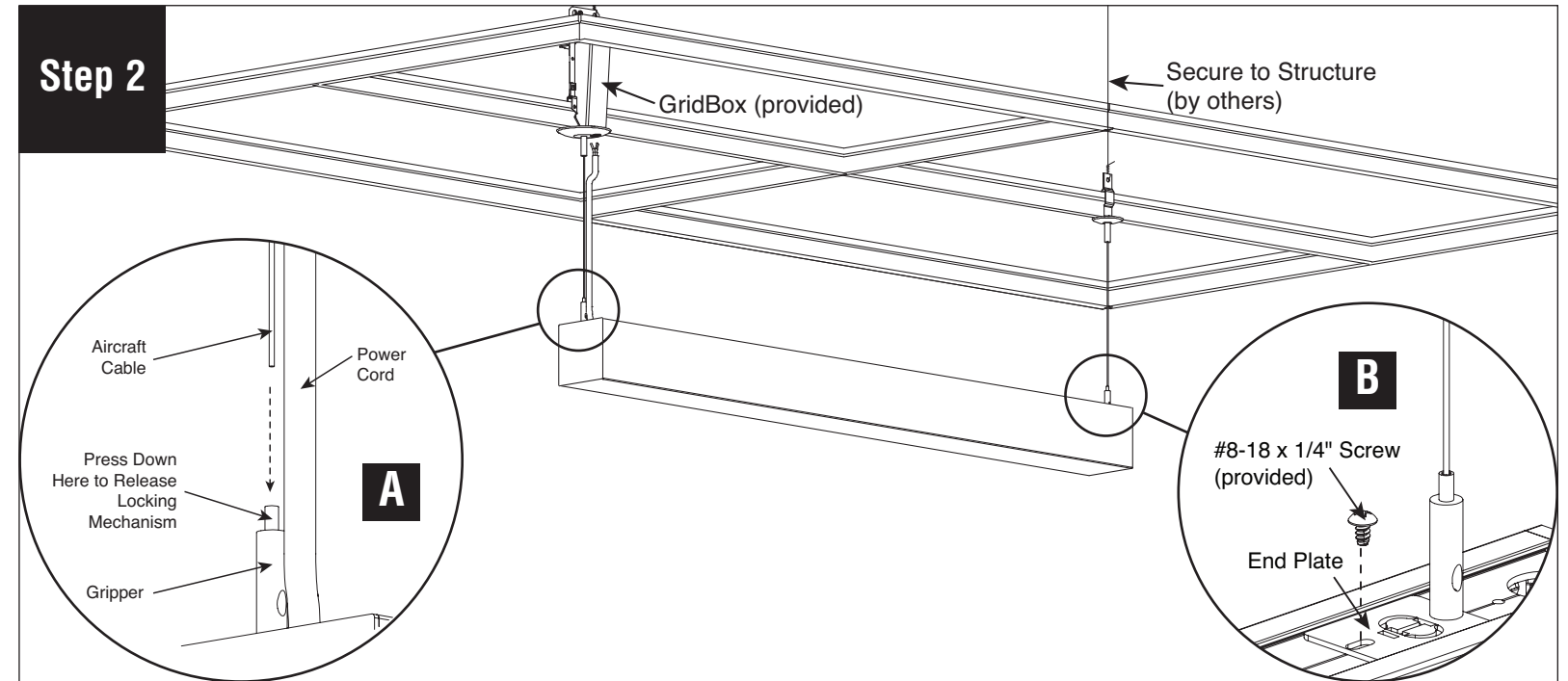
0 - 10V Dimming



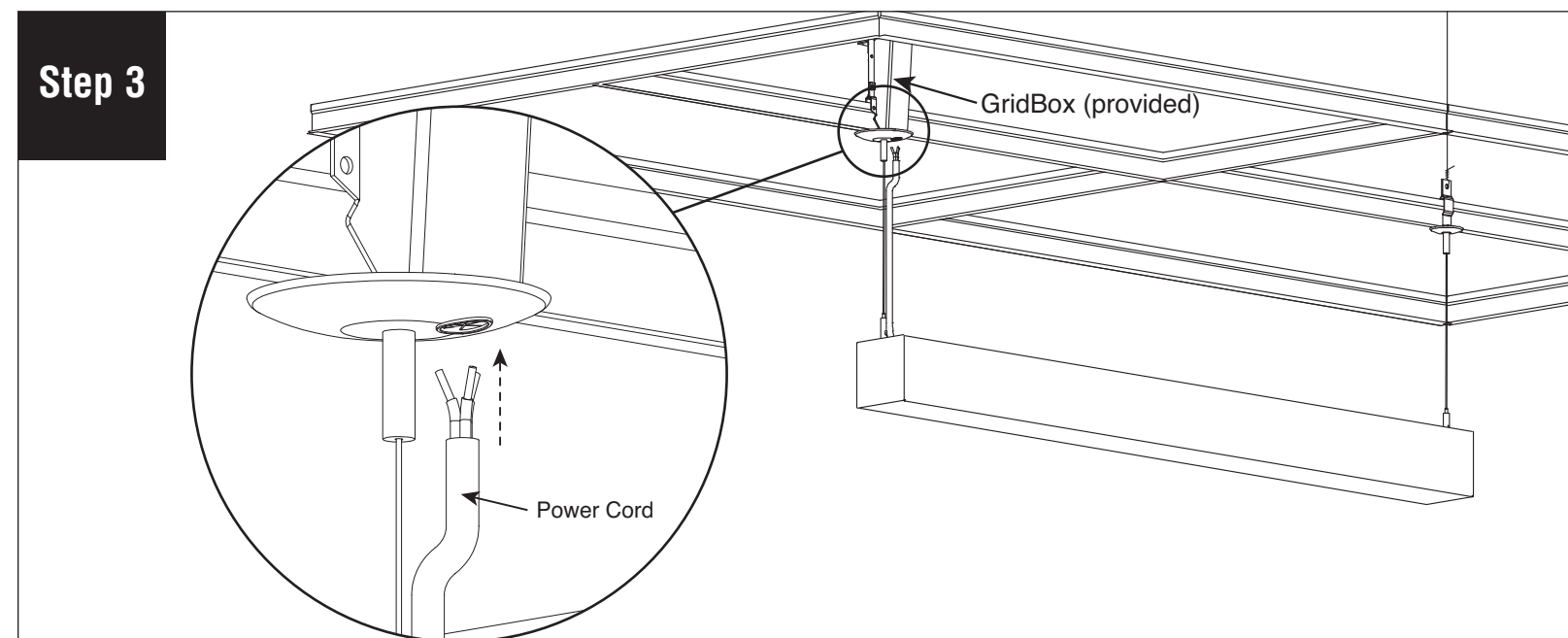
Locate aircraft cables.



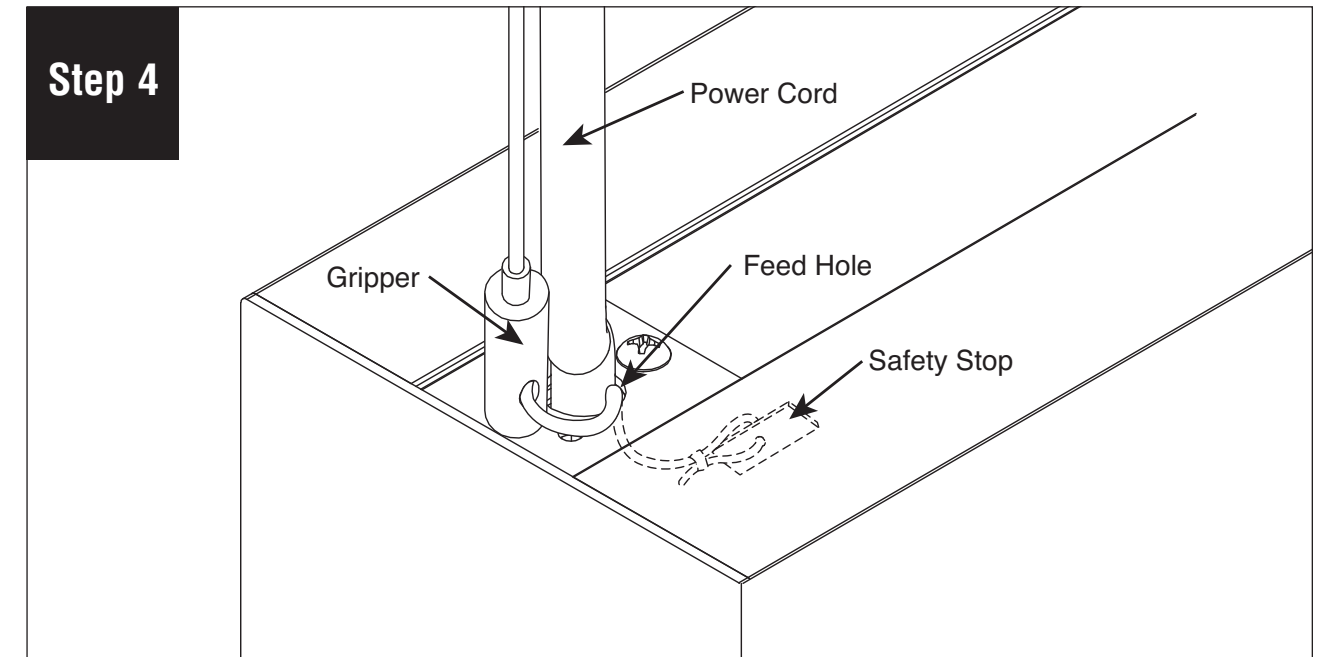
Install grippers onto threaded studs on both ends of the luminaire.



Install GridBox™ and caddy clip onto ceiling grid, then canopies and aircraft cable assemblies. **A.** Align aircraft cables to grippers and insert on both ends of the luminaire. Adjust pendant to proper height and level. Press down on top of gripper to release locking mechanism if needed. Secure luminaire to structure using tie-wire (by others) according to code. **B.** End plates are adjustable for custom mounting locations. Remove #8-18 x 1/4" screw (provided) from end plate, then slide end plate to desired location and reinstall #8-18 x 1/4" screw.



Install power cable through canopy and into GridBox™. Make electrical connections in GridBox.




Slide safety stop and safety crimp up to the aircraft cable within 9" of cable gripper. Trim excess cable and insert safety bar assembly through feed hole. Turn power on to luminaire. **NOTE:** If part of a longer run, diffuser will be reinstalled back into original luminaire section as lengths vary.

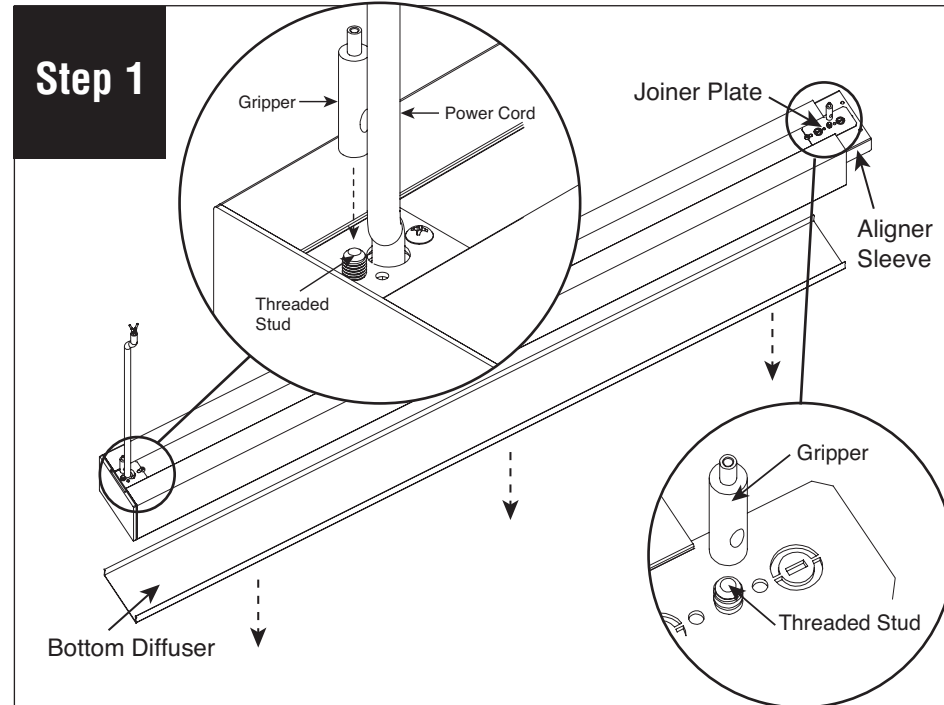
Note: All power connections to be installed to local/national codes by a Certified Electrician.

HP-4 Direct Joiner/Ender Installation Instructions

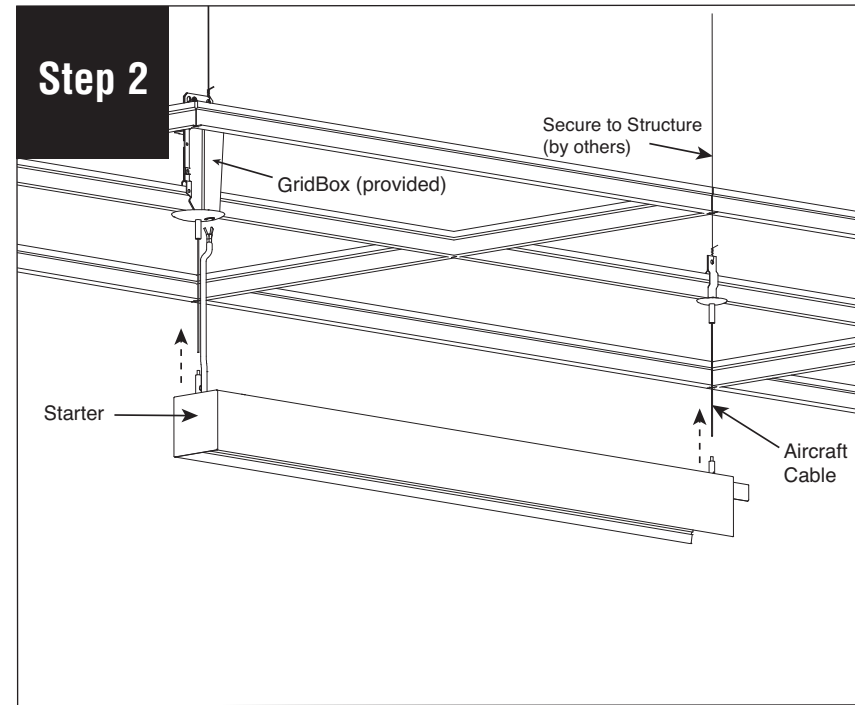
Scan QR code for helpful video(s)



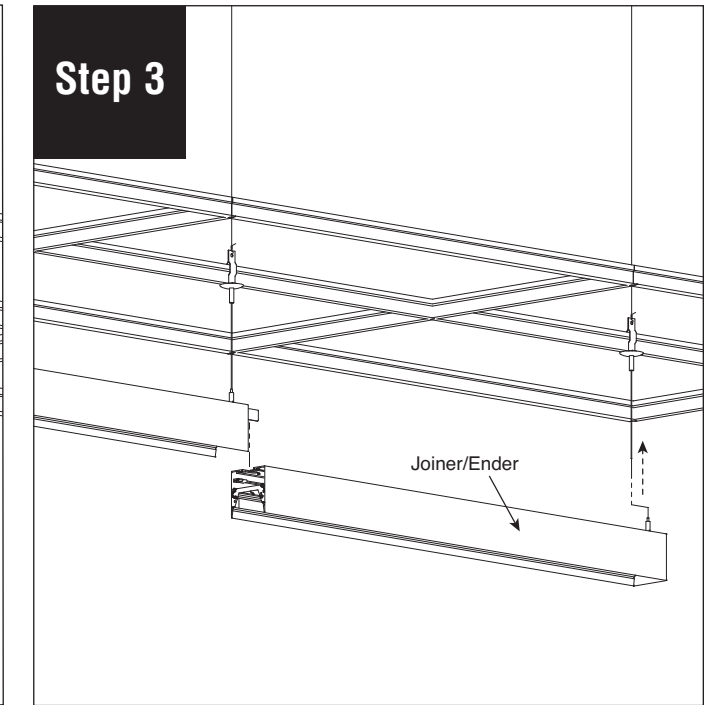
0 - 10V Dimming



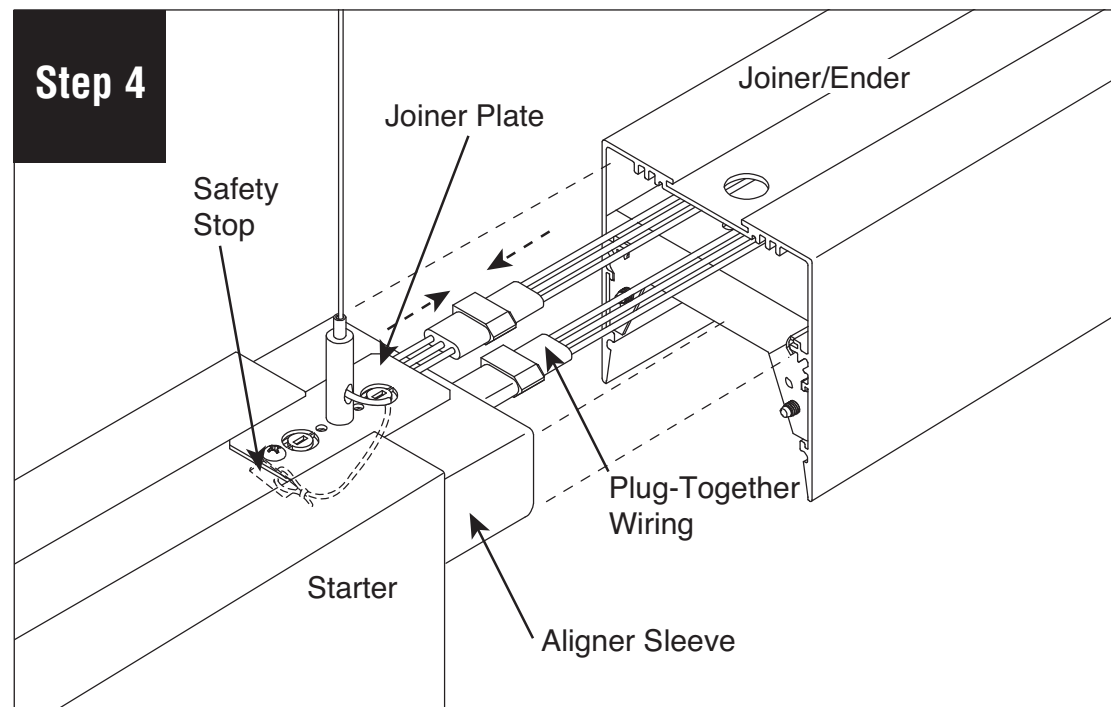
Remove bottom diffuser and install grippers onto threaded studs of starter. Repeat steps for joiner/ender. **NOTE:** If part of a longer run, diffuser will be reinstalled back into original luminaire section as lengths vary.



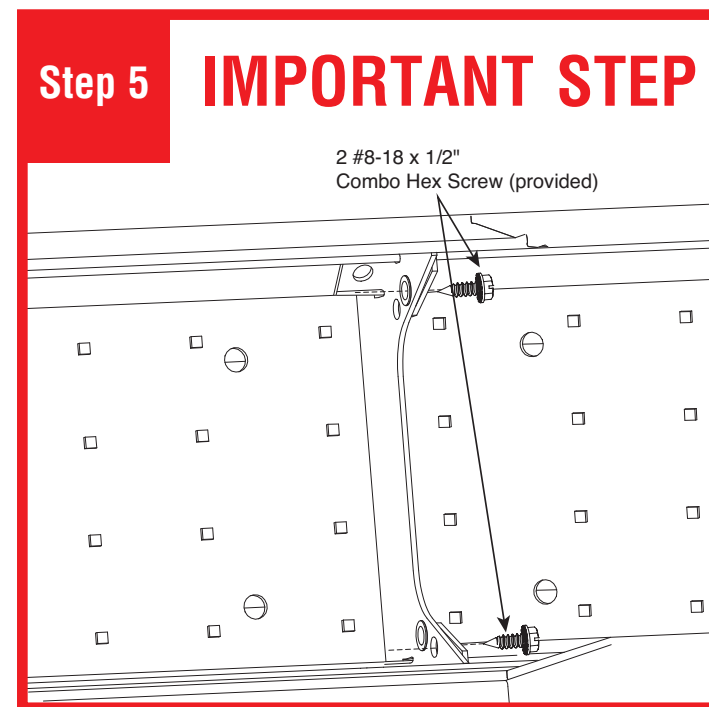
Install aircraft cables into grippers and adjust luminaire to proper height and level. Insert power cable into canopy then into GridBox™. Secure luminaire to structure using tie-wire (supplied by others) according to code.



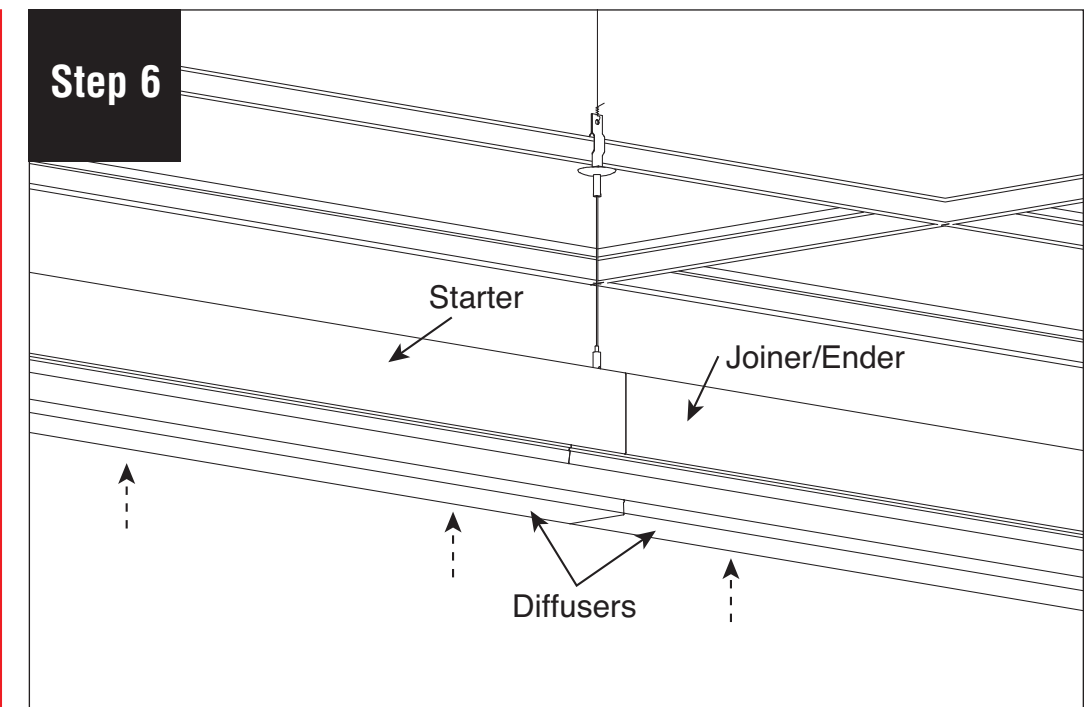
Install aircraft cables into gripper of joiner/ender.



Align joiner/ender with joiner plate and aligner sleeve, then slide starter and joiner/ender together. Be careful not to damage wiring. Slide safety stop and safety crimp up to the aircraft cable within 9" of cable gripper. Trim excess cable and insert safety bar assembly through feed hole.



Secure joint with 2 #8-18 x 1/2" Combo Hex Screws (provided). Screws can be installed from the left or right.



Adjust joiner/ender height and level. Reinstall bottom diffusers. Make electrical connections in GridBox™ and turn power on. Replace diffuser and turn power on to luminaire. **NOTE:** If part of a longer run, diffuser will be reinstalled back into original luminaire section as lengths vary.

Note: All power connections to be installed to local/national codes by a Certified Electrician.