
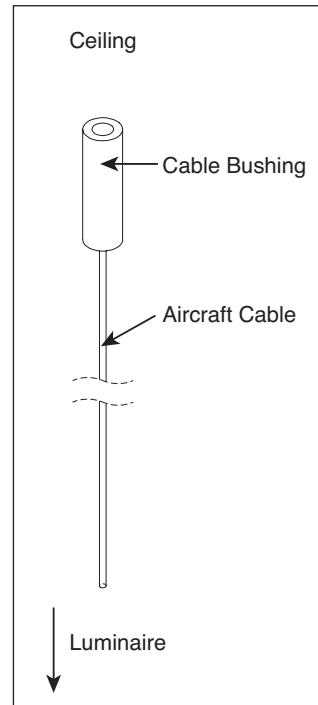


HP-4 Indirect Starter/Independent Installation Instructions

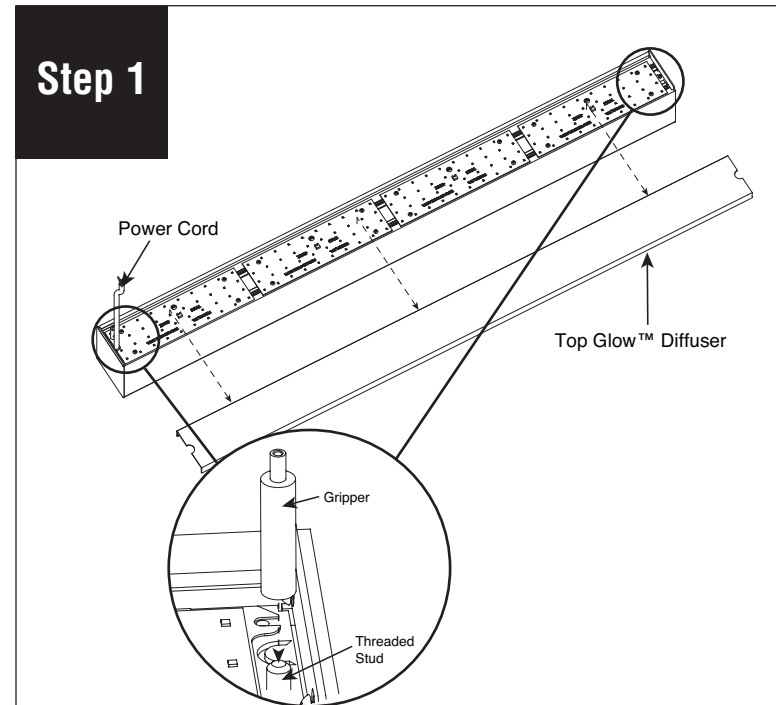
Scan QR code for helpful video(s)



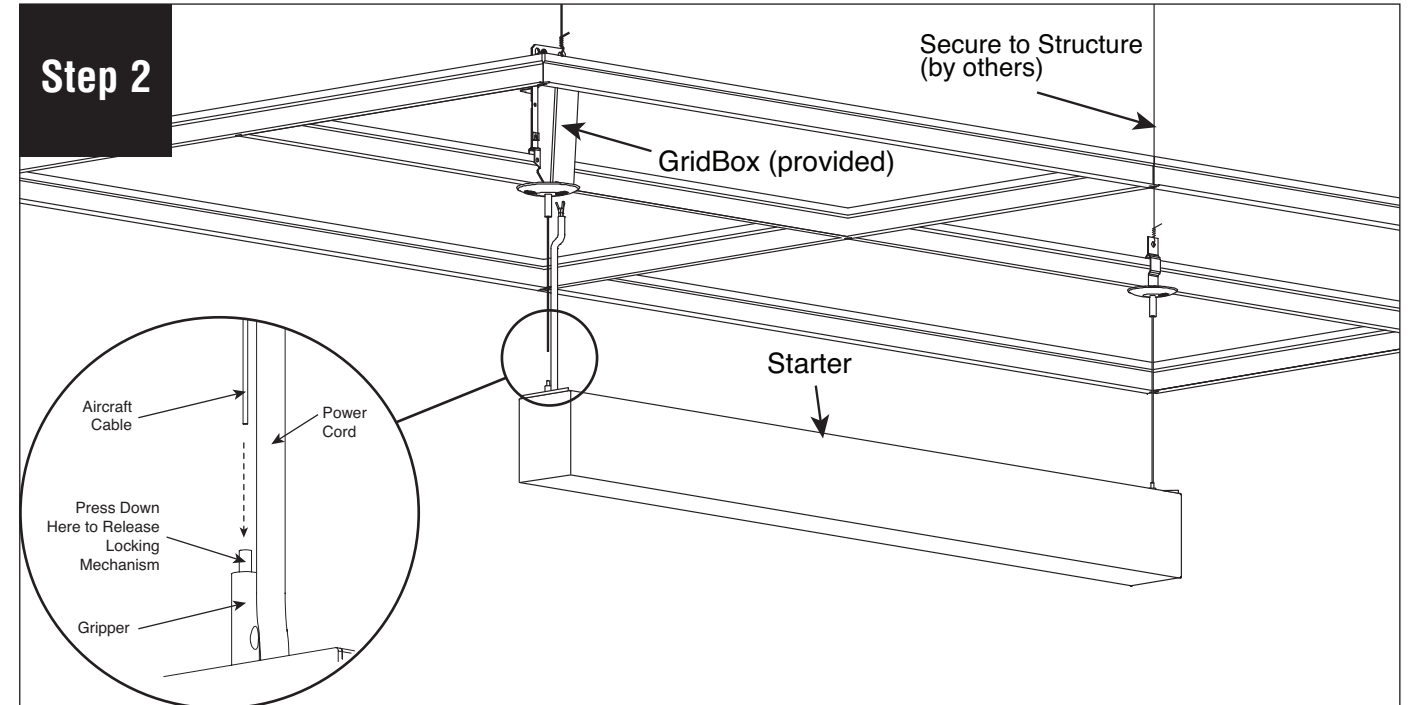
0 - 10V Dimming



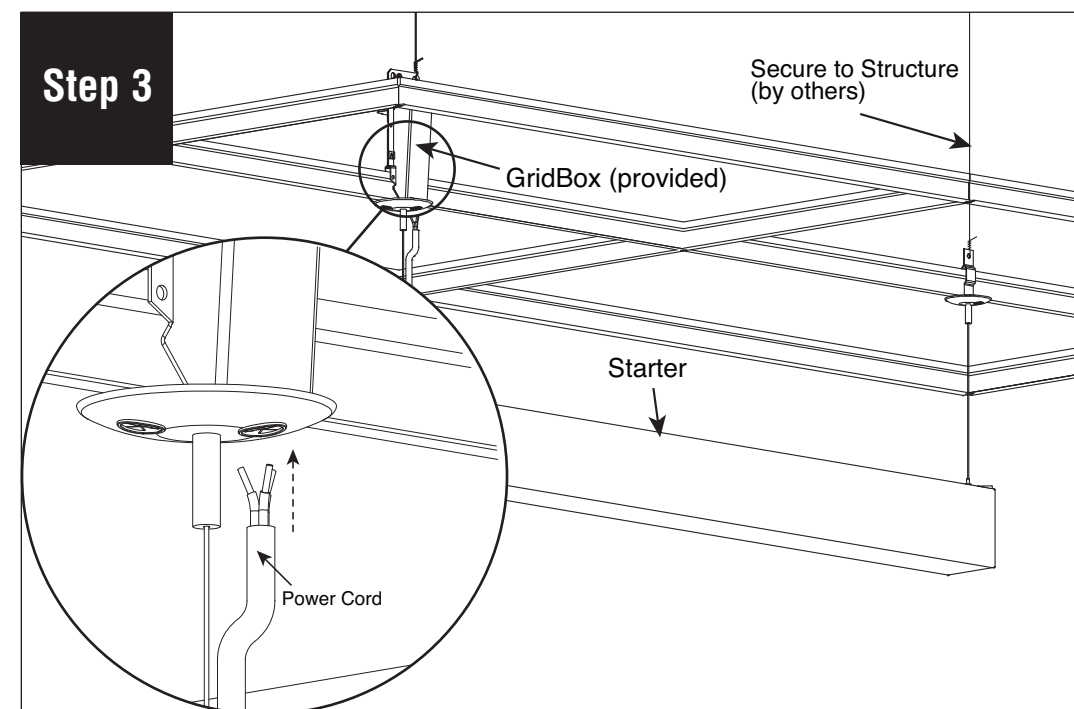
Locate aircraft cables.



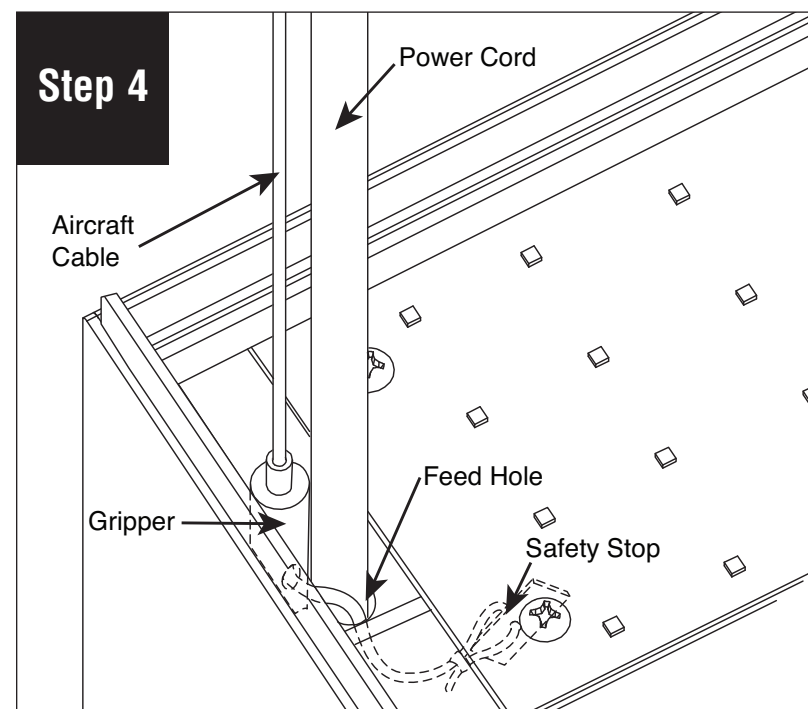
Remove Top Glow™ Diffuser and set aside. Install grippers onto threaded studs on both ends of the luminaire.



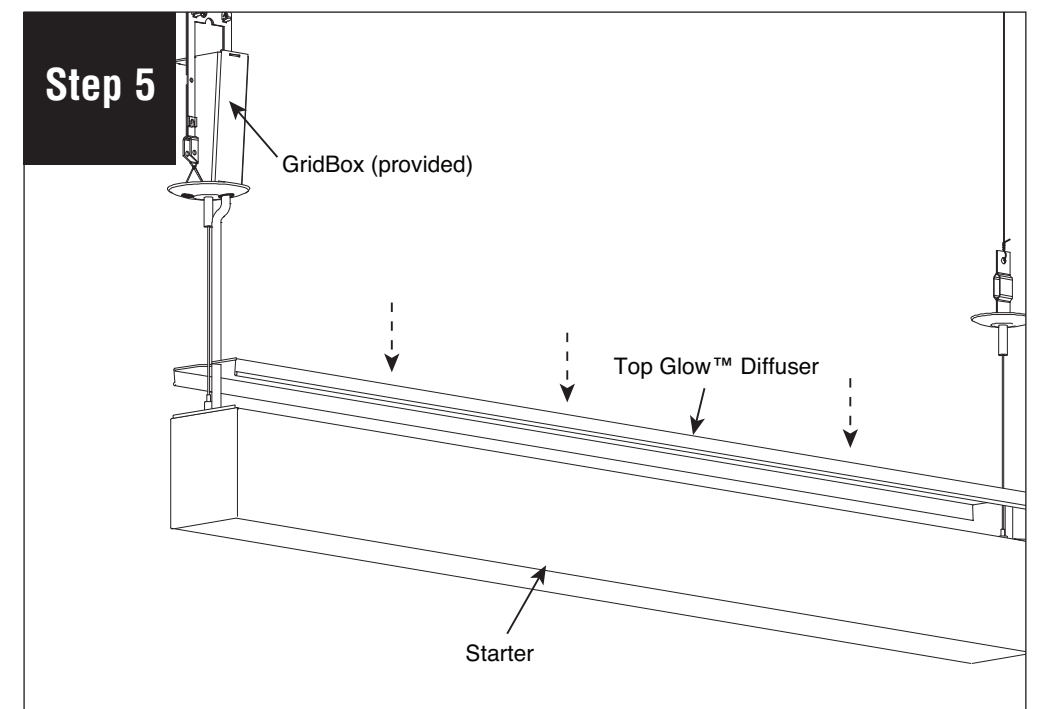
Align aircraft cables to grippers and insert on both ends of the luminaire. Adjust pendant to proper height and level. Press down on top of gripper to release locking mechanism if needed. Secure luminaire to structure using tie-wire (supplied by others) according to code.



Install power cable through canopy and into GridBox™. Make electrical connections in GridBox.



Slide safety stop and safety crimp up to the aircraft cable within 9" of cable gripper. Trim excess cable and insert safety bar assembly through feed hole.



Reinstall Top Glow Diffuser and diffuser end caps. Turn power on to luminaire. **NOTE:** If part of a longer run, diffuser will be reinstalled back into original luminaire section as lengths vary.

Note: All power connections to be installed to local/national codes by a Certified Electrician.

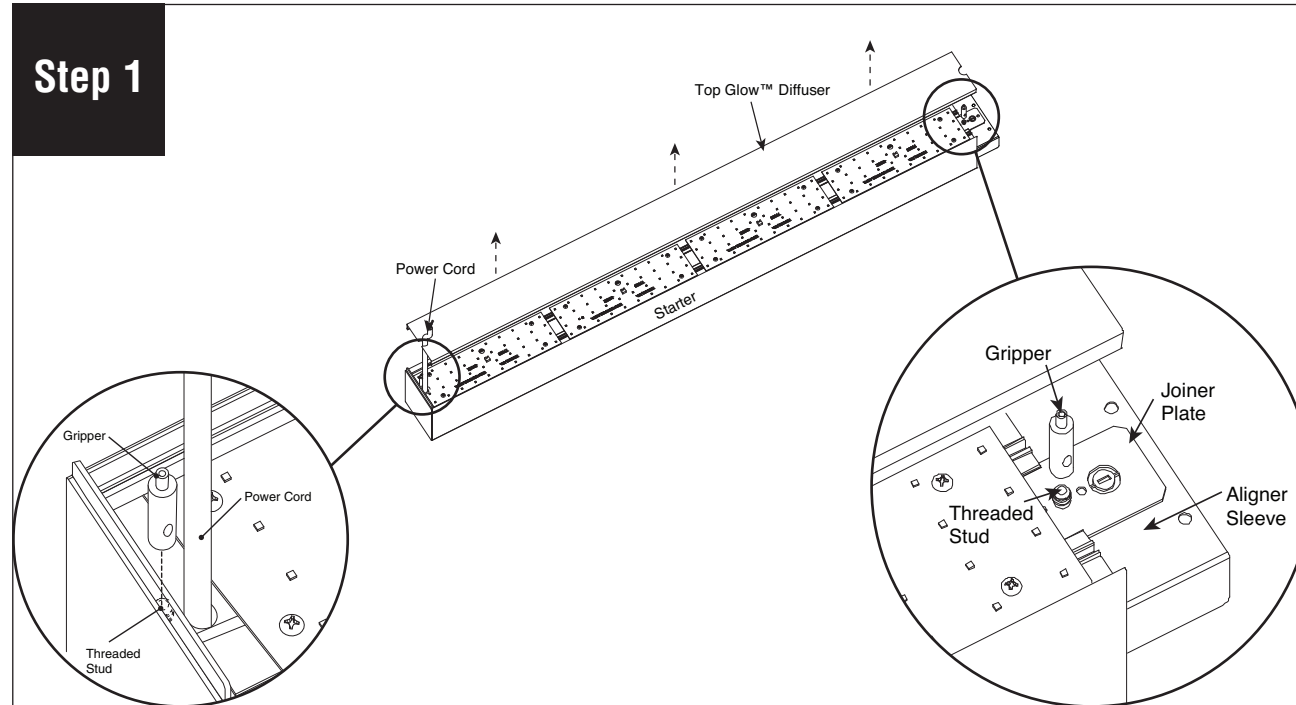
HP-4 Indirect Joiner/Ender Installation Instructions

Scan QR code for helpful video(s)



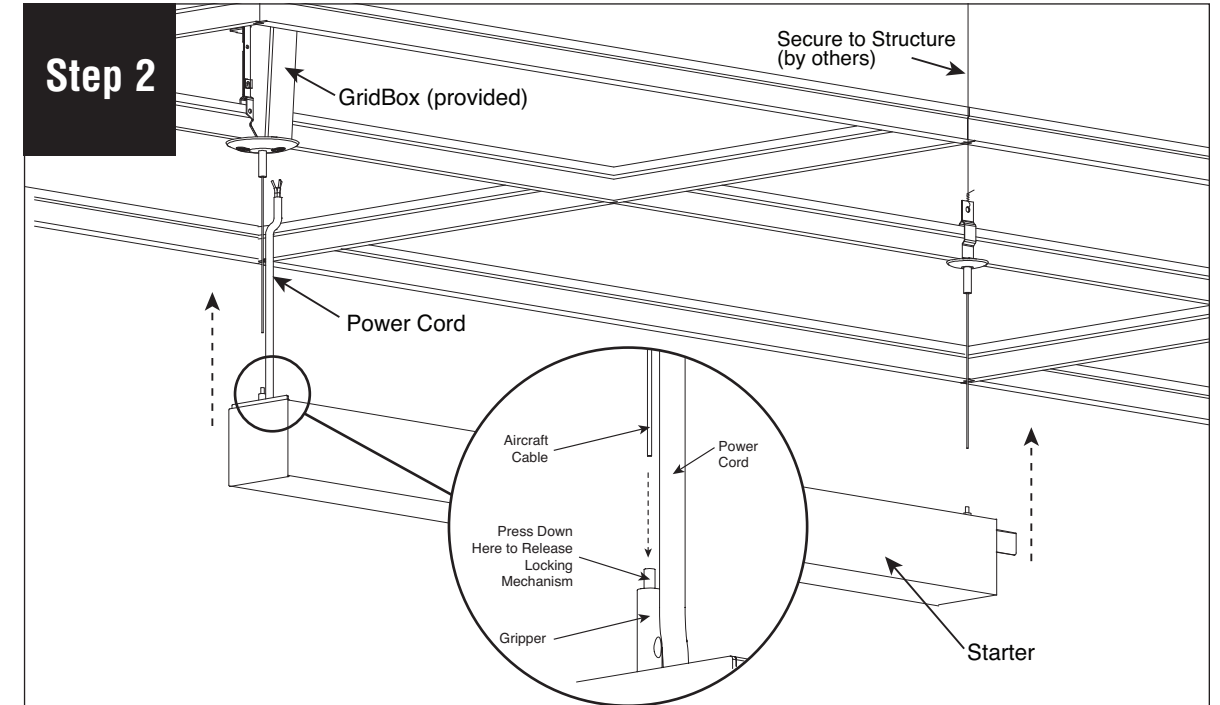
0 - 10V Dimming

Step 1



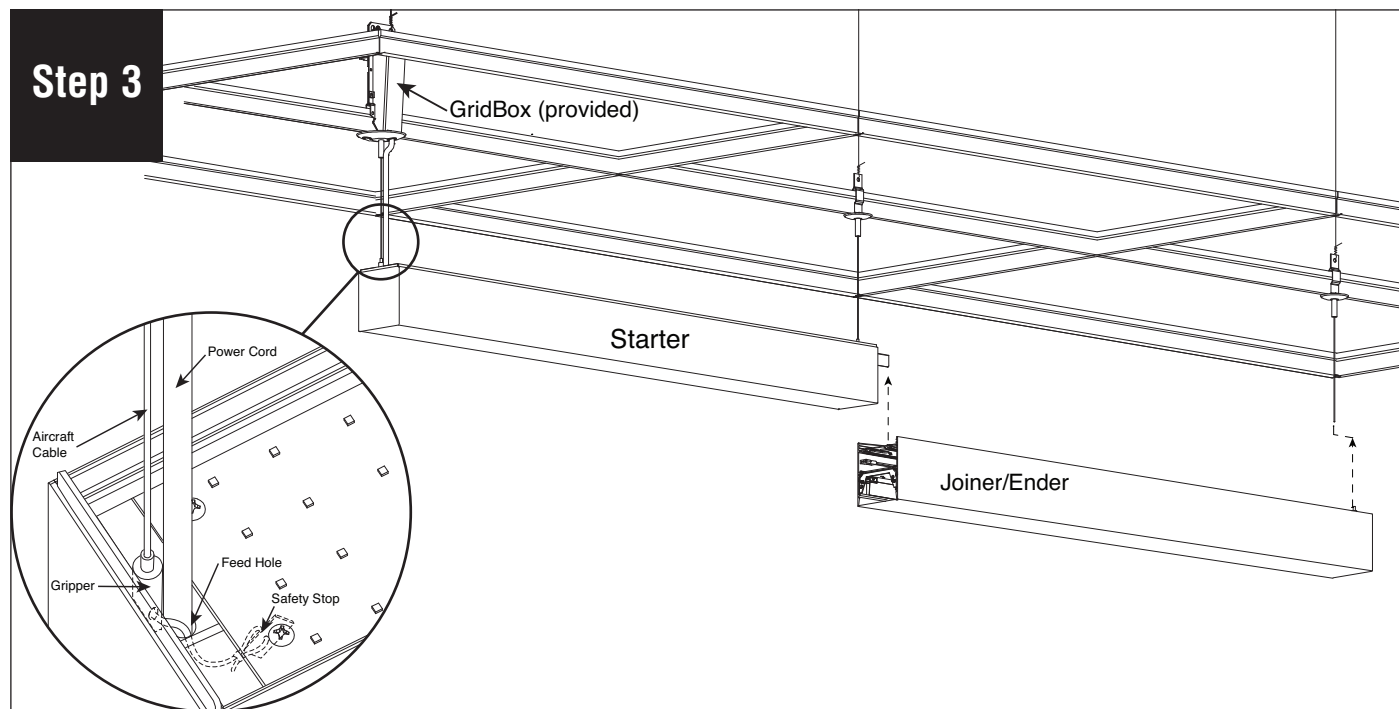
Remove Top Glow diffuser of starter and joiner/ender and set aside. Install grippers onto threaded studs of starter. Repeat steps for joiner/ender.

Step 2



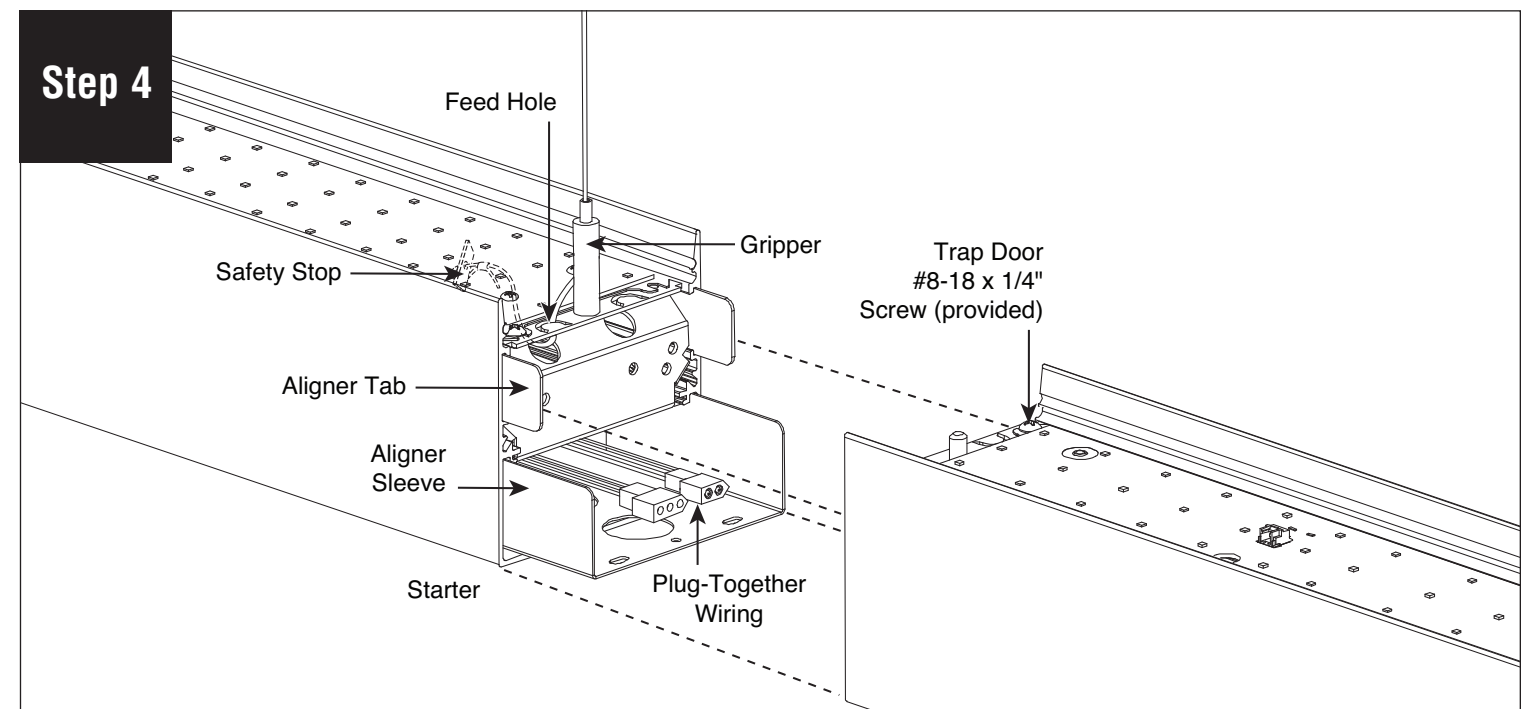
Align aircraft cables to grippers and insert on both ends of the luminaire. Install aircraft cables into grippers and adjust luminaire to proper height and level. Insert power cable into canopy then into GridBox™. Secure luminaire to structure using tie-wire (supplied by others) according to code.

Step 3



Slide safety stop and safety crimp up to the aircraft cable within 9" of cable gripper. Trim excess cable and insert safety bar assembly through feed hole (apply to starter and joiner/ender). Install aircraft cables into gripper of joiner/ender.

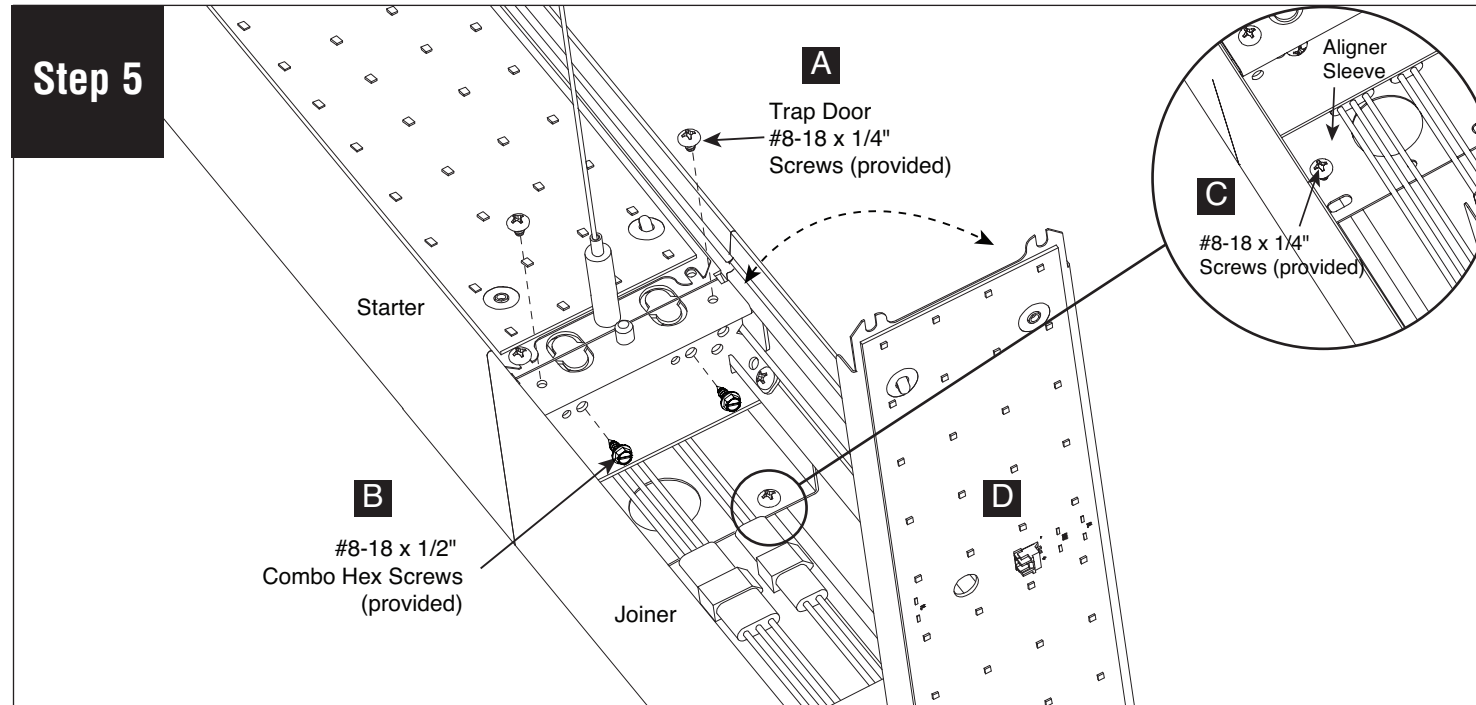
Step 4



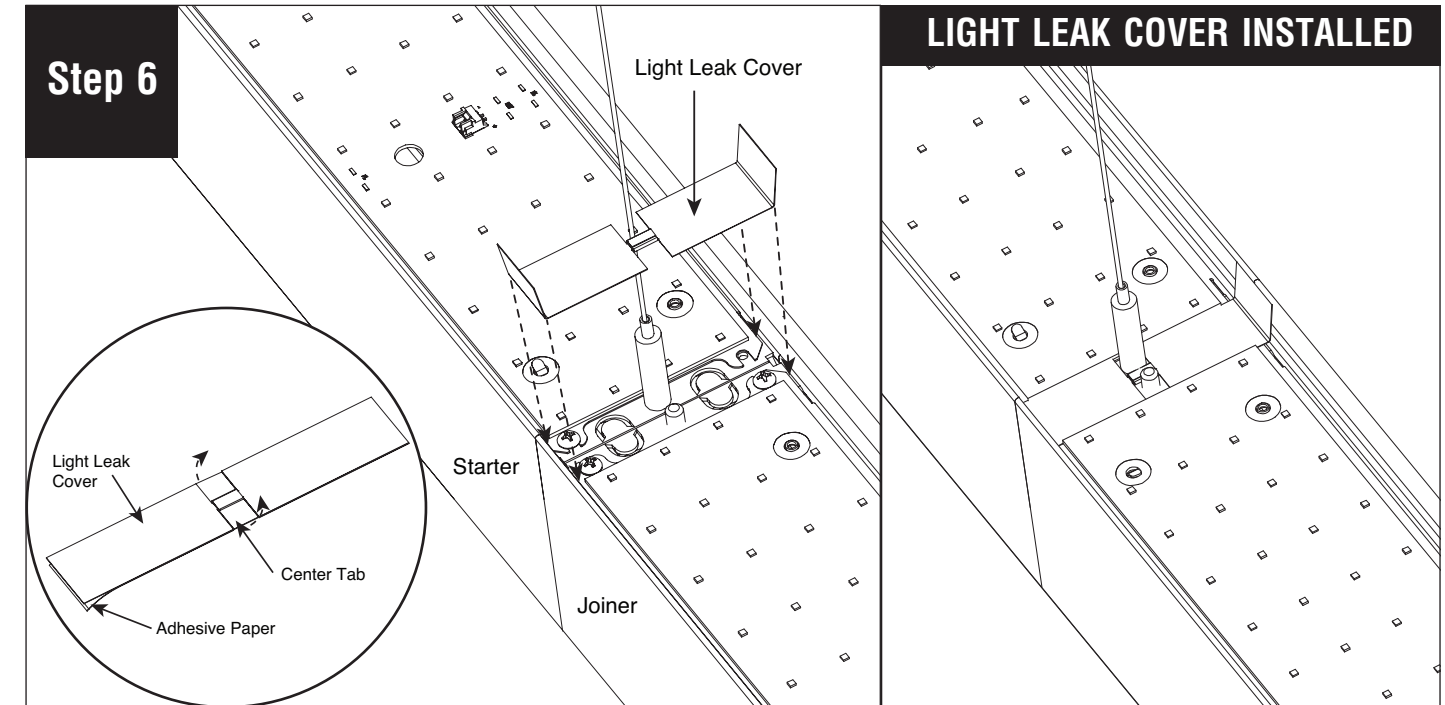
Connect plug-together wiring. Align joiner/ender with aligner tab and aligner sleeve, then slide starter and joiner/ender together. Be careful not to damage wiring. Slide safety stop and safety crimp up to the aircraft cable within 9" of cable gripper. Trim excess cable and insert safety bar assembly through feed hole.

Note: All power connections to be installed to local/national codes by a Certified Electrician.

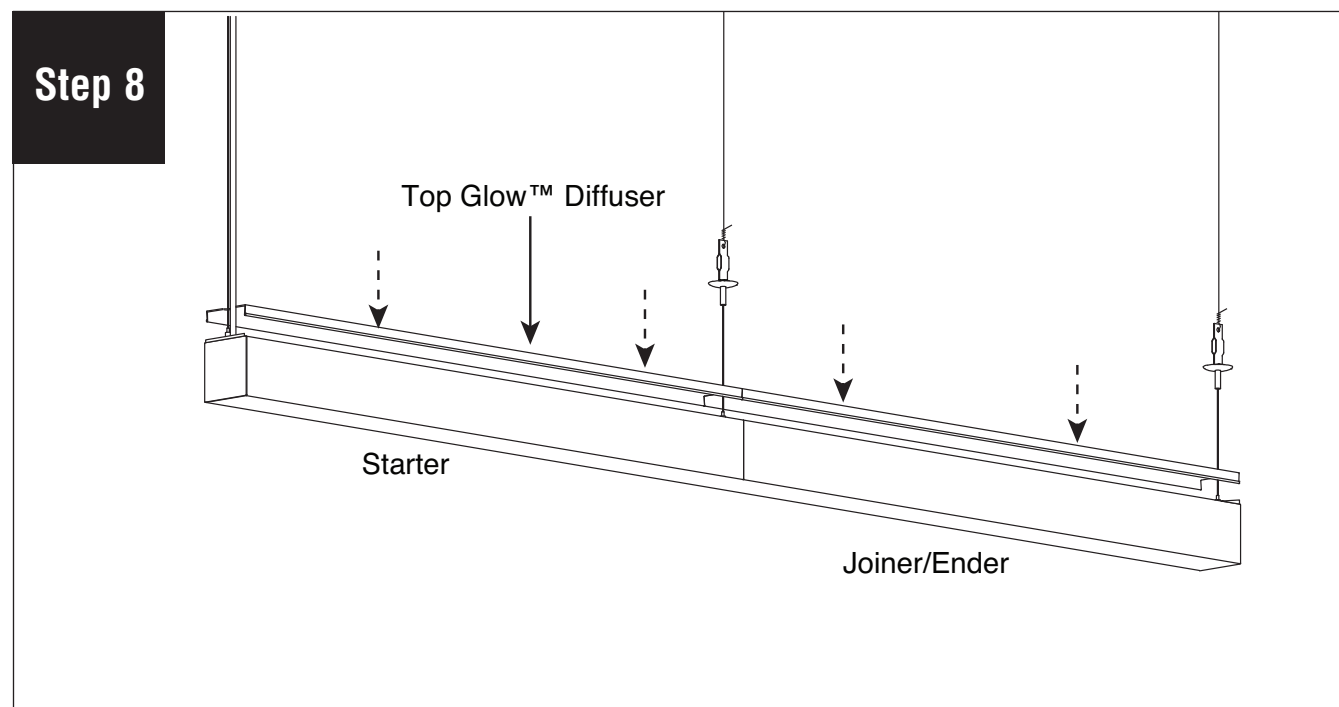
HP-4 Indirect Joiner/Ender Installation Instructions



A) Remove trap door #8-18 x 1/4" screws (provided) to open trap door. **B)** Install two #8-18 x 1/2" combo hex screws (provided) into end brackets. **C)** Install 2 #8-18 x 1/4" screws (provided) onto aligner sleeve. **D)** Replace trap door and fasten trap door screws.



Remove paper off of adhesive backing, then fold center tabs of light leak cover inwards. Install light leak covers on all joints.



Reinstall Top Glow Diffusers and turn power on to luminaire. **NOTE:** If part of a longer run, diffuser will be reinstalled back into original luminaire section as lengths vary.

Note: All power connections to be installed to local/national codes by a Certified Electrician.