
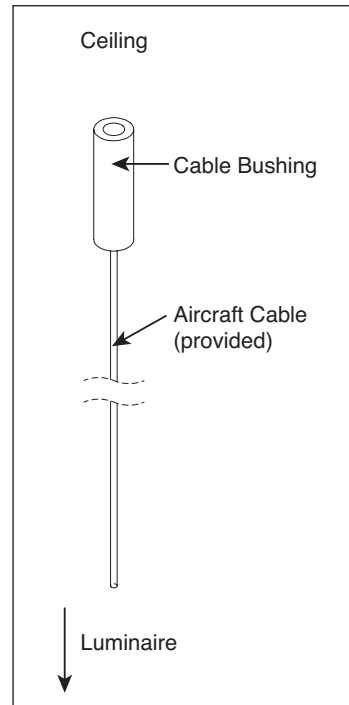


HP-4 Indirect/Direct Starter/Independent Installation Instructions

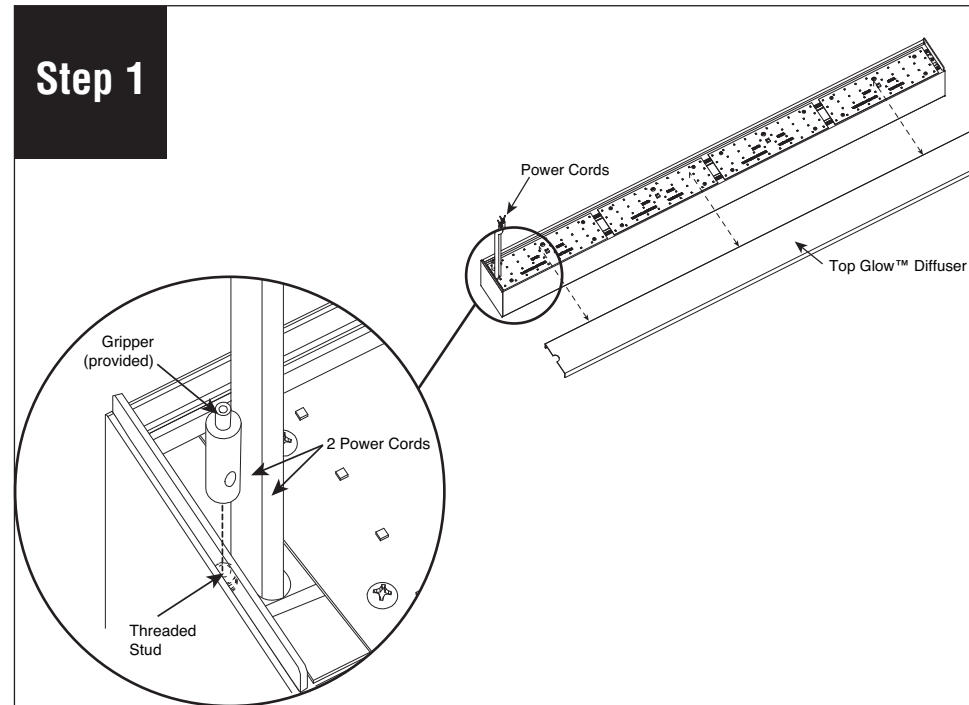
Scan QR code for helpful video(s)



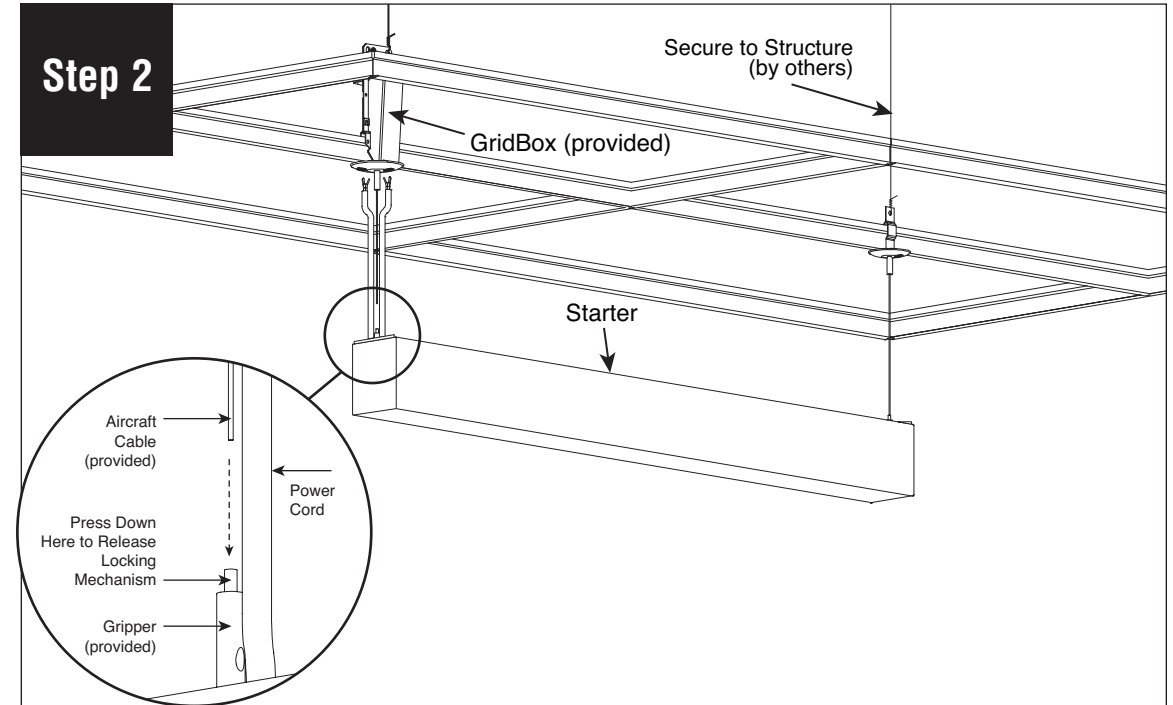
0 - 10V Dimming



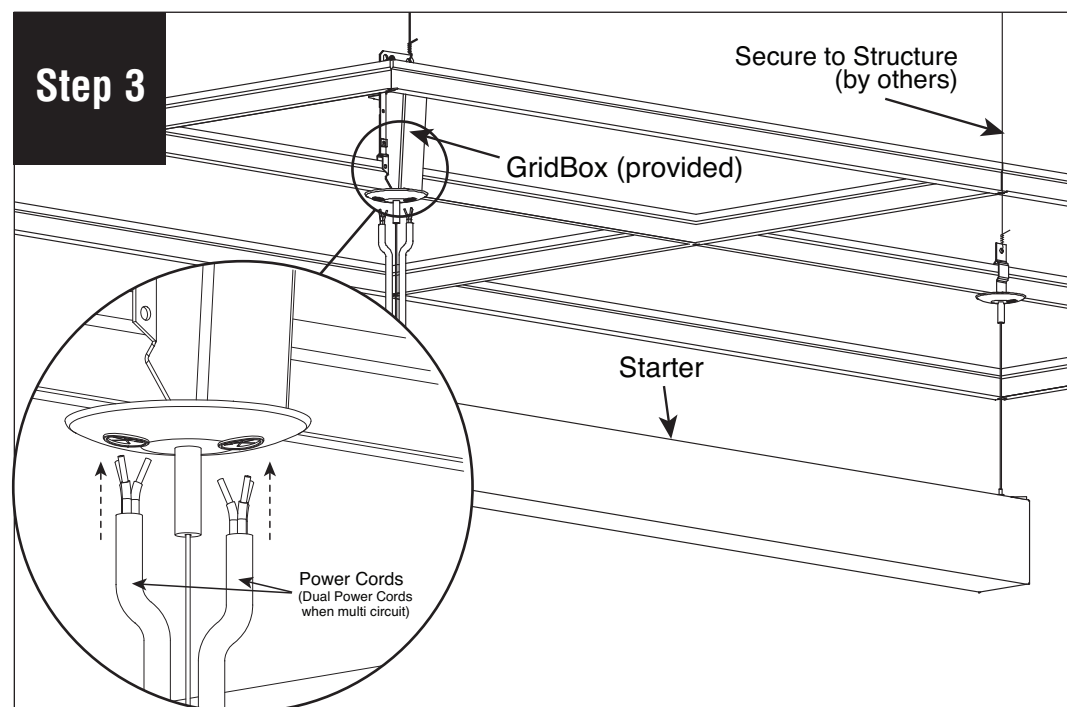
Locate aircraft cables.



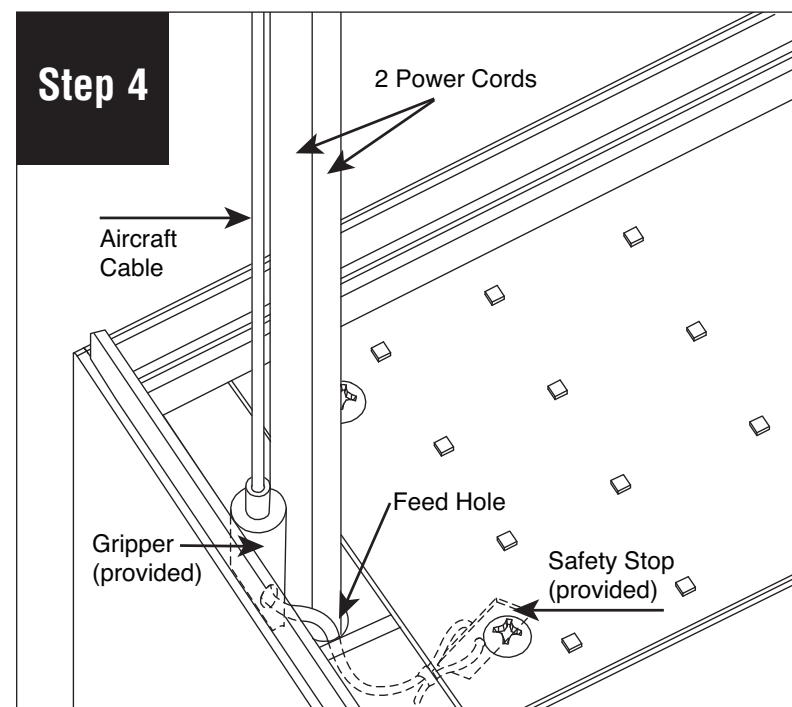
Remove Top Glow™ Diffuser and set aside. Install grippers (provided) onto threaded studs on both ends of the luminaire.



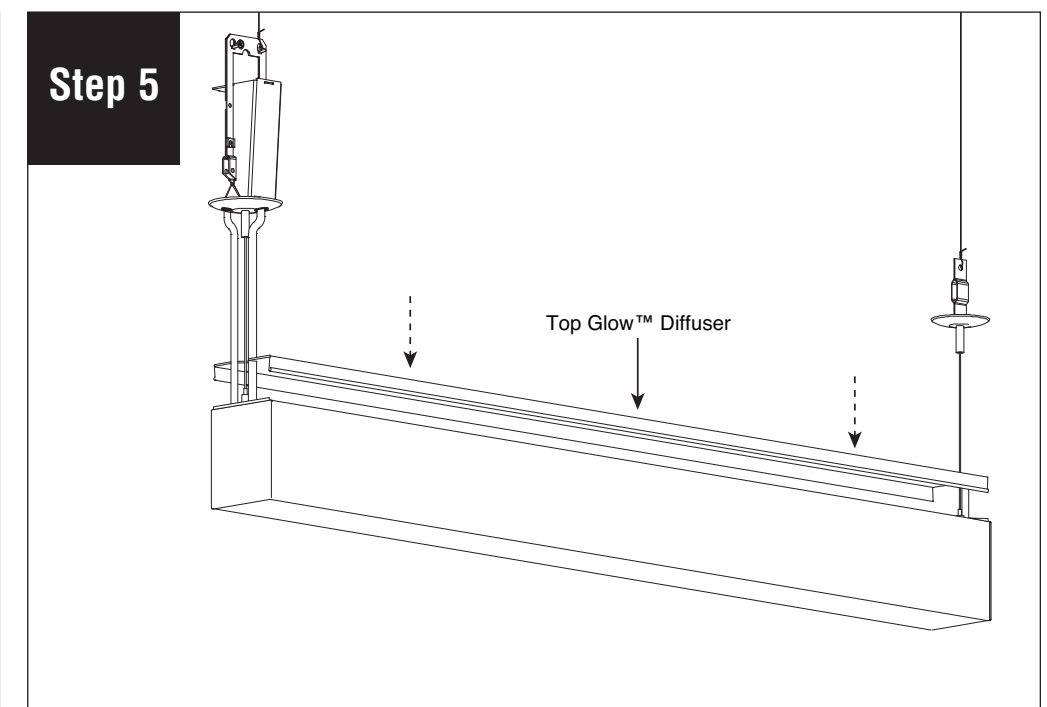
Align aircraft cables (provided) to grippers (provided) and insert on both ends of the luminaire. Adjust pendant to proper height and level. Press down on top of gripper to release locking mechanism if needed. Secure luminaire to structure using tie-wire (supplied by others) according to code.



Install power cable through canopy and into GridBox™. Make electrical connections in GridBox.



Slide safety stop (provided) and safety crimp up to the aircraft cable (provided) within 9" of cable gripper (provided). Trim excess cable and insert safety bar assembly through feed hole.




Reinstall Top Glow™ Diffuser and diffuser end caps. Turn power on to luminaire. **NOTE:** If part of a longer run, diffuser will be reinstalled back into original luminaire section as lengths vary.

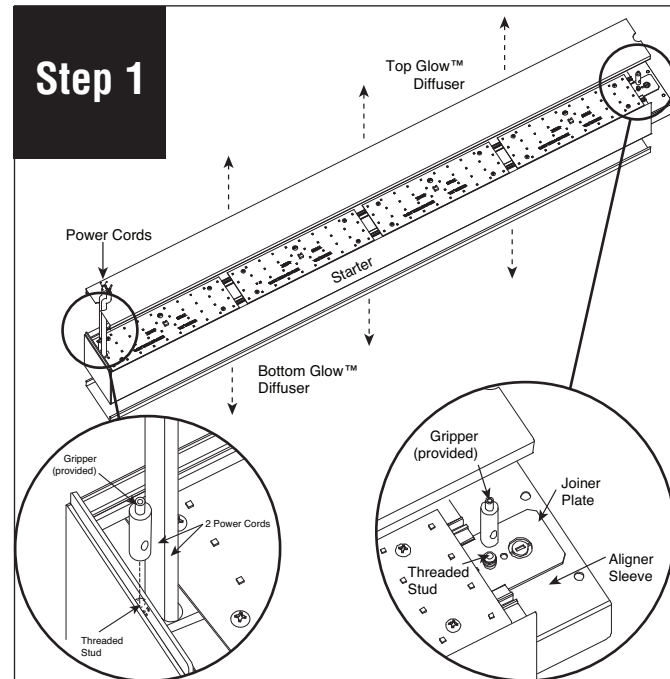
Note: All power connections to be installed to local/national codes by a Certified Electrician.

HP-4 Indirect/Direct Joiner/Ender Installation Instructions

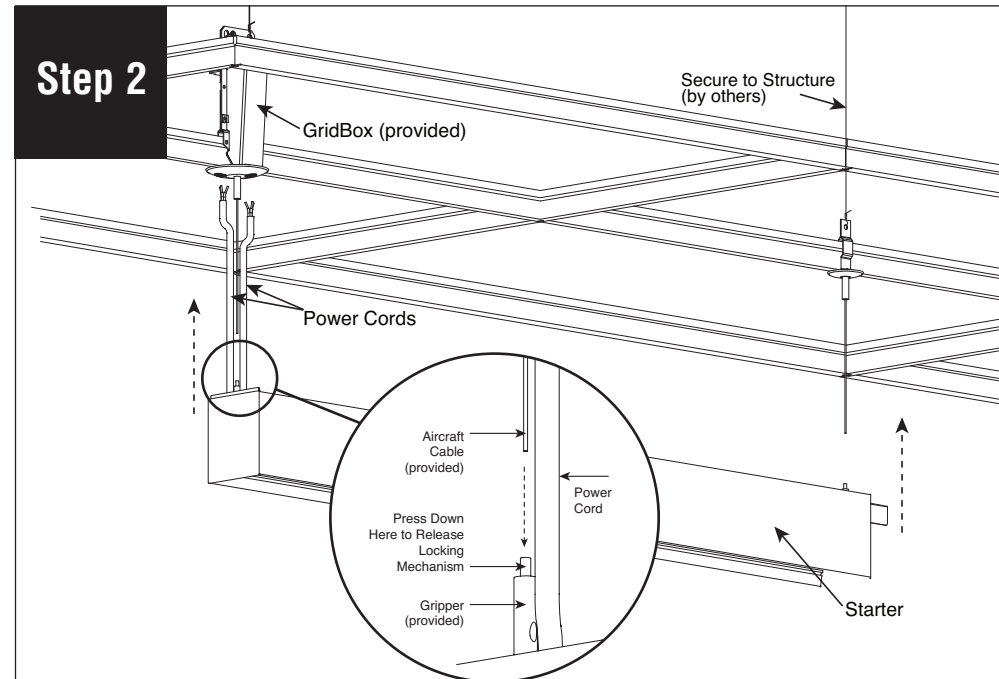
Scan QR code for helpful video(s)



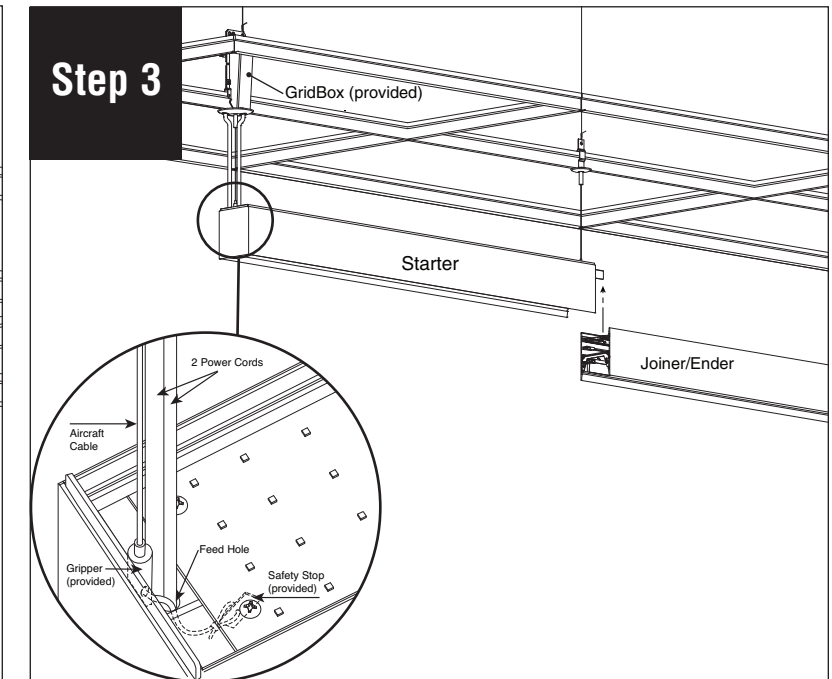
0 - 10V Dimming



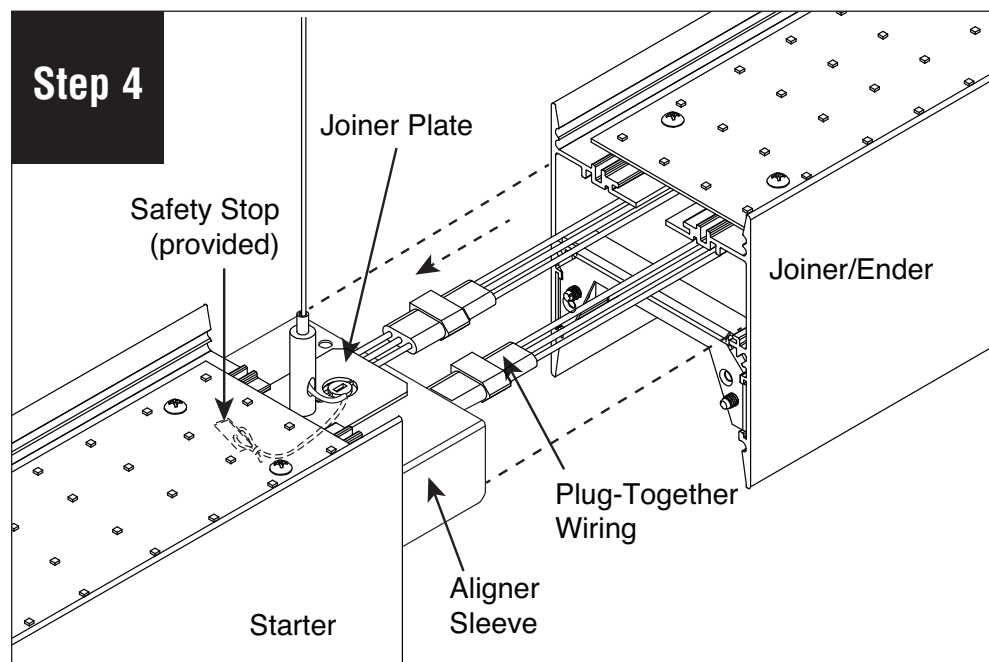
Remove Top Glow™ and Bottom Glow™ diffusers from starter. Install grippers (provided) onto threaded studs on both ends of the starter. Repeat steps for joiner/ender.



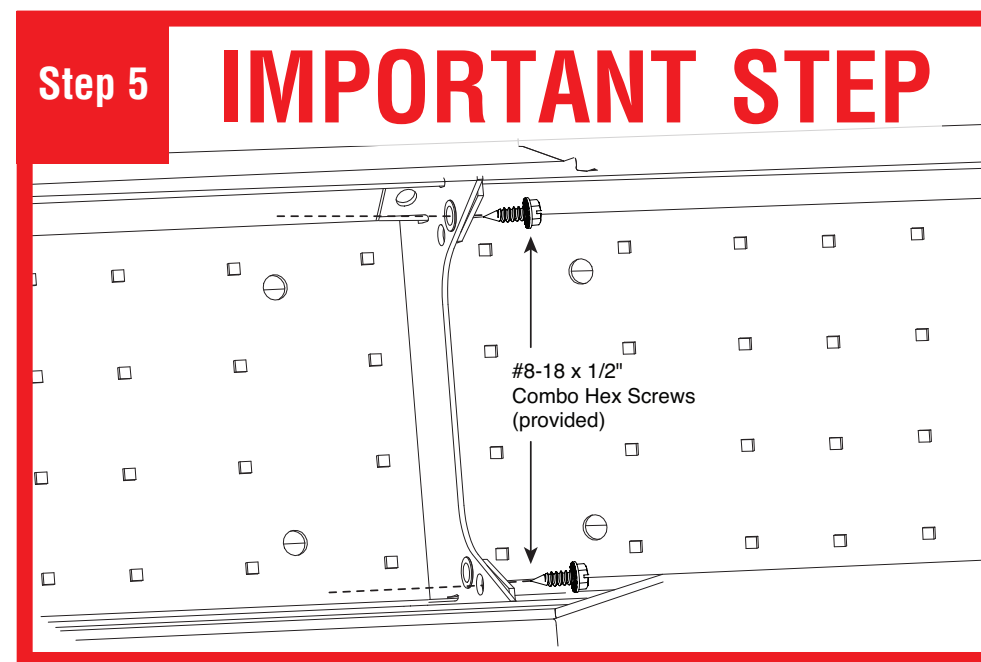
Install aircraft cables (provided) into grippers (provided) and adjust luminaire to proper height and level. Insert power cable into canopy then into GridBox™. Secure luminaire to structure using tie-wire (supplied by others) according to code.



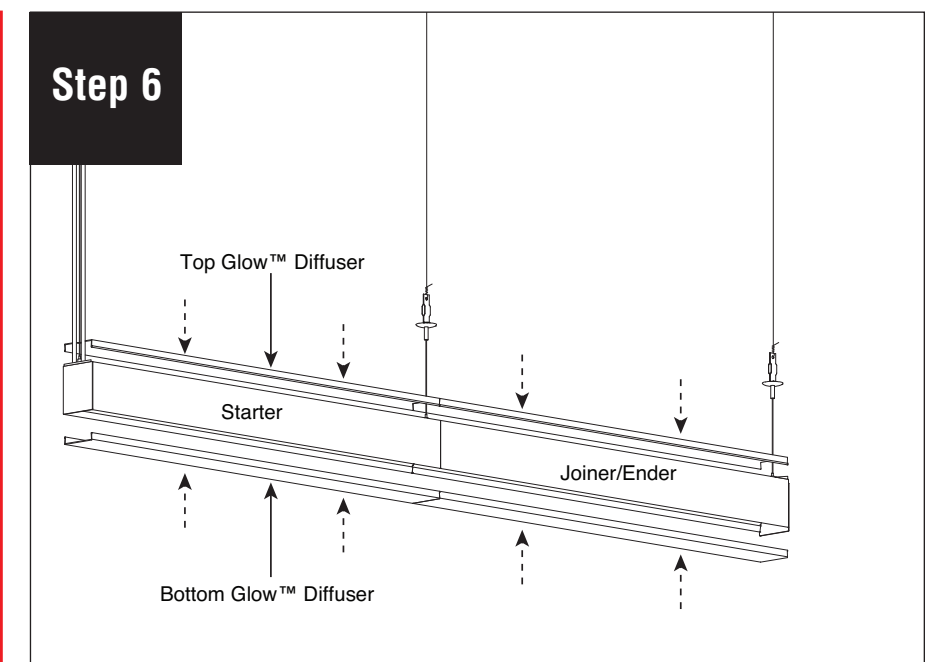
Slide safety stop (provided) and safety crimp up to the aircraft cable (provided) within 9" of cable gripper (provided). Trim excess cable and insert safety bar assembly through feed hole (apply to starter and joiner/ender). Install aircraft cables into gripper of joiner/ender.



Align joiner/ender with joiner plate and aligner sleeve, then slide starter and joiner/ender together. Be careful not to damage wiring. Slide safety stop (provided) and safety crimp up to the aircraft cable (provided) within 9" of cable gripper (provided). Trim excess cable and insert safety bar assembly through feed hole.



IMPORTANT STEP: Secure joint with two #8-18 x 1/2" combo hex screws (provided). Screws can be installed from the left or right. When installed correctly these hex screws will pull luminaires together to make a tight joint. **CAUTION: Do not over-tighten.**



Adjust joiner/ender height and level. Reinstall Top Glow and Bottom Glow Diffusers. Make electrical connections in GridBox and turn power on to luminaires. **NOTE:** If part of a longer run, diffuser will be reinstalled back into original luminaire section as lengths vary.

Note: All power connections to be installed to local/national codes by a Certified Electrician.