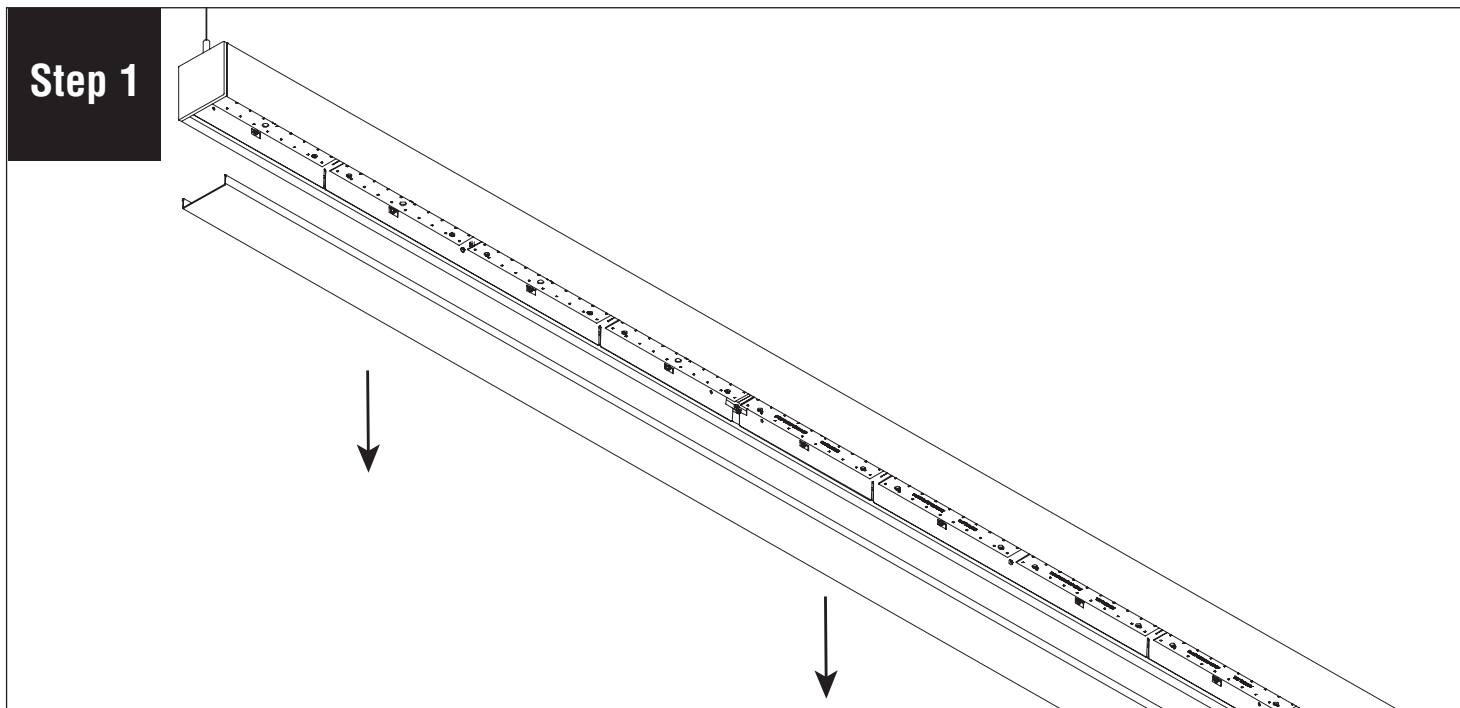
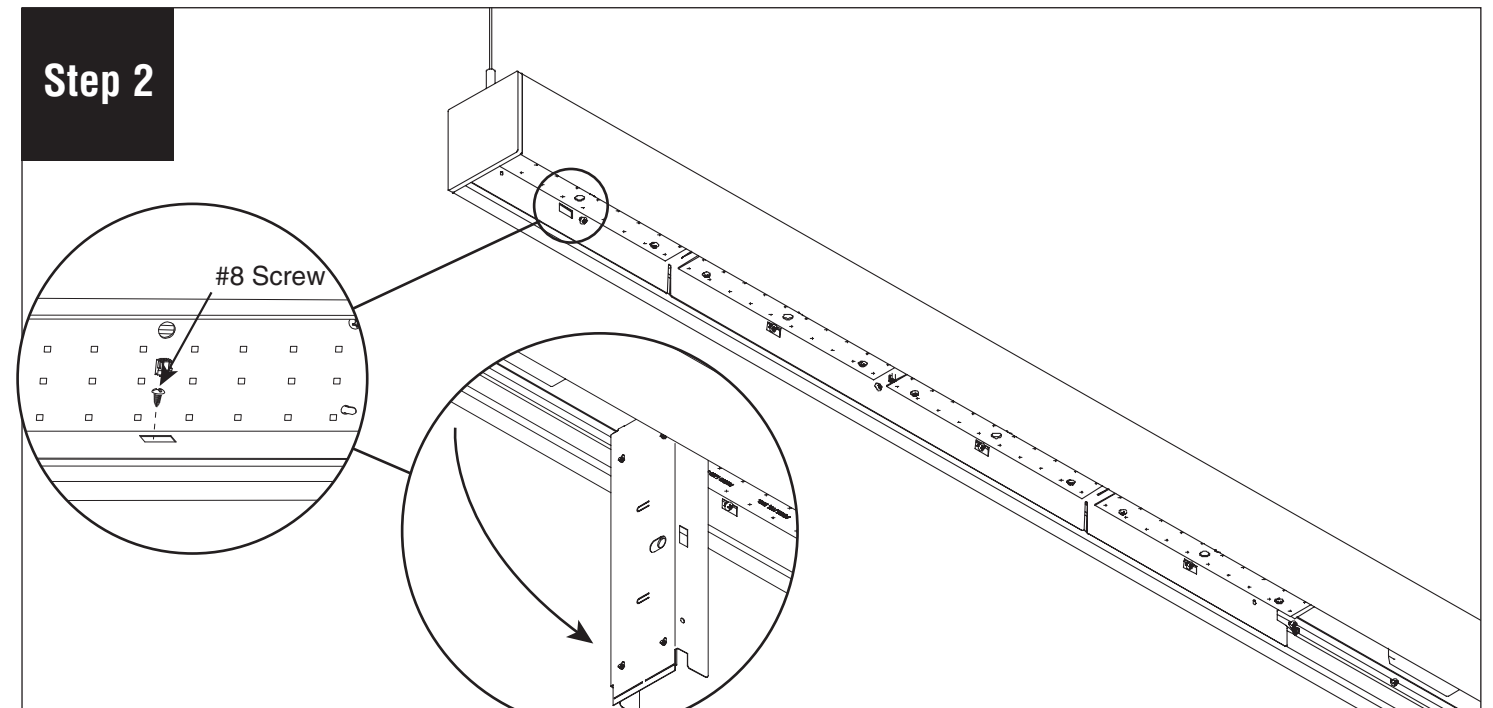


FINELITE

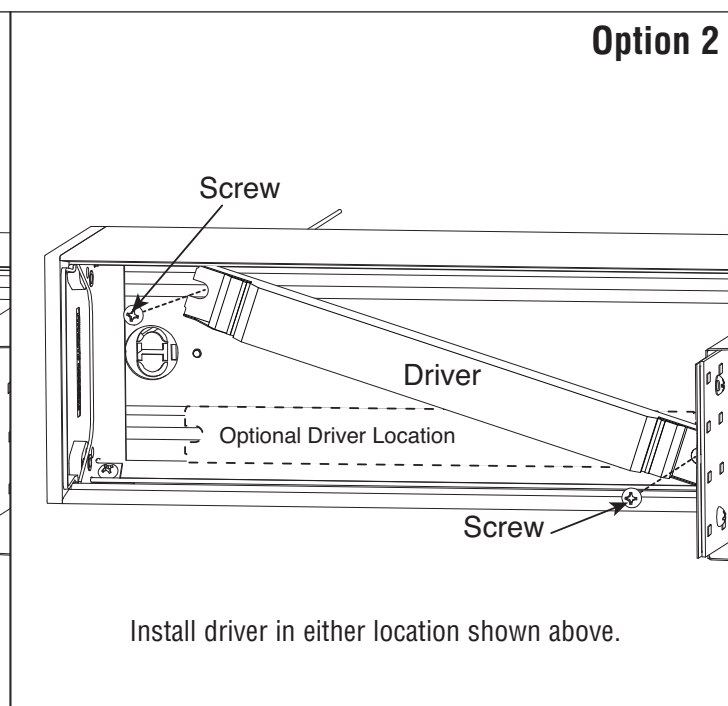
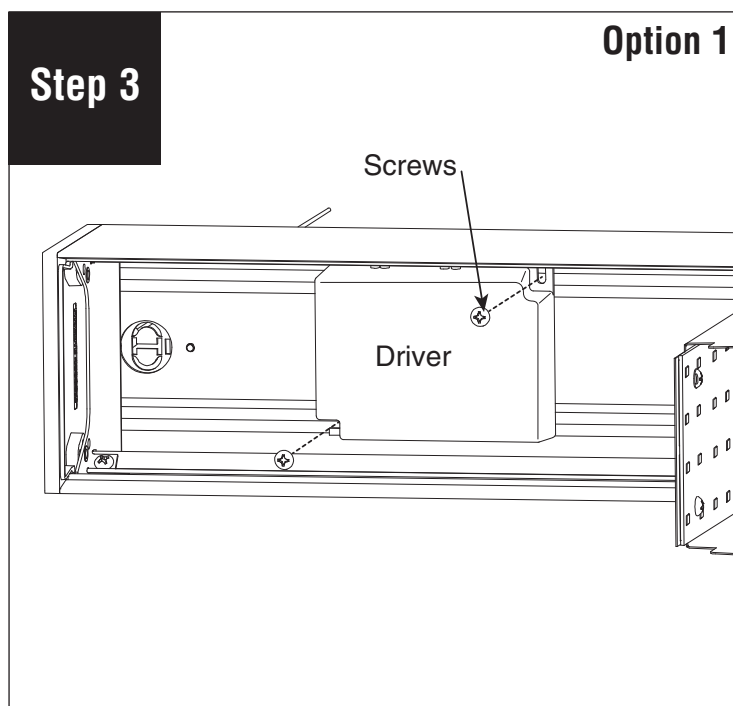
HP-4 LED Driver Replacement Installation Instructions



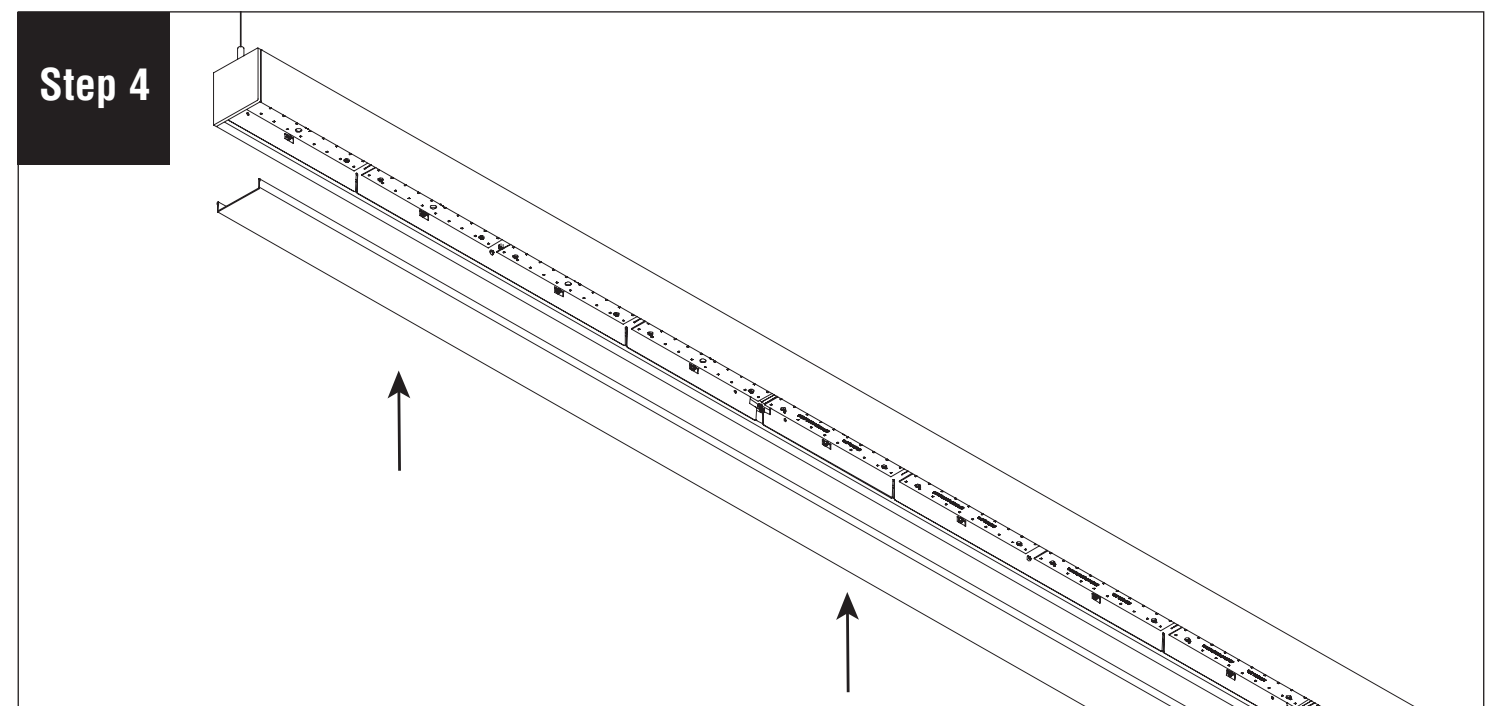
Turn off power. Remove bottom lens and set aside to prevent it from getting dirty or damaged.



Remove #8 screw to open trap doors.



Disconnect all electrical connections from driver(s). Remove mounting screws to replace the new driver. Reconnect all electrical connections and replace trap doors and fasten with #8 screws.



Reinstall lens and turn power on.