
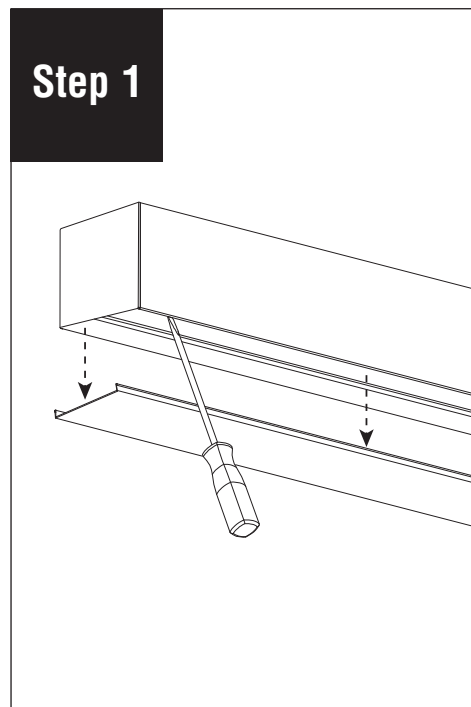


HP-4 Recessed with Regressed Diffuser Screw Slot Starter/Independent Installation Instructions

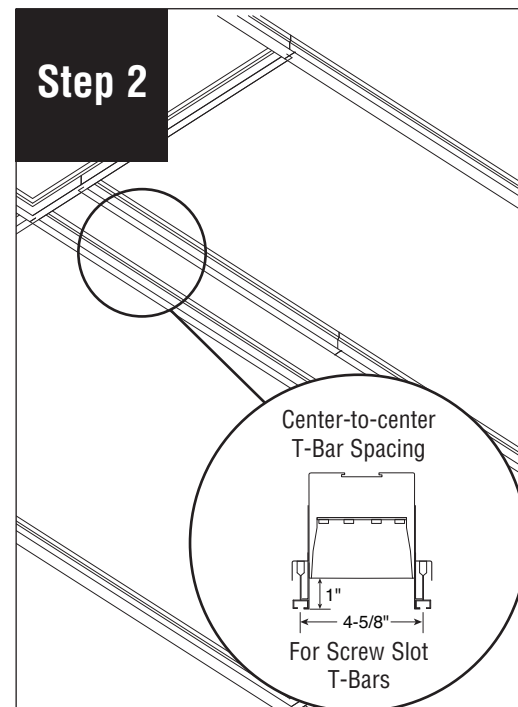
Scan QR code for helpful video(s)



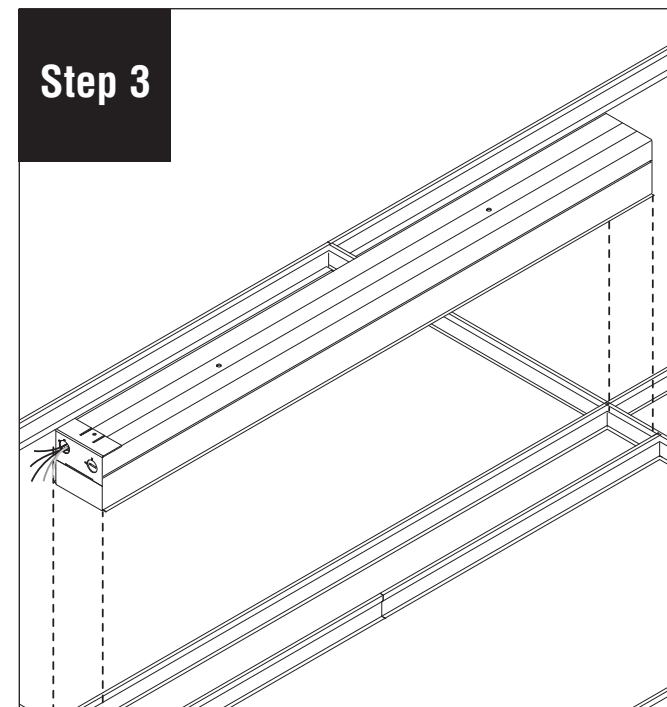
0 - 10V Dimming



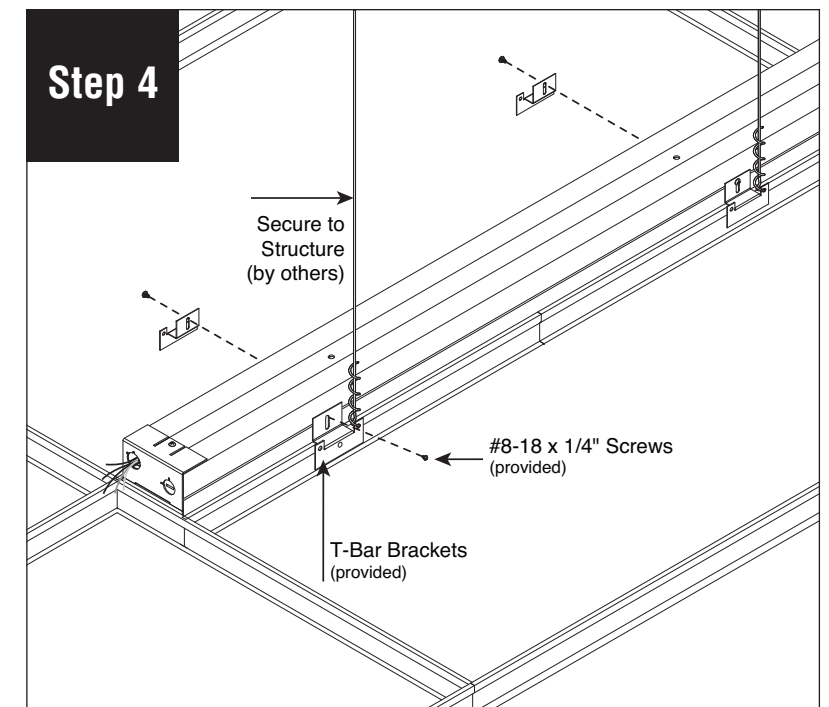
Step 1
Remove diffuser and set aside to prevent it from getting dirty or damaged.



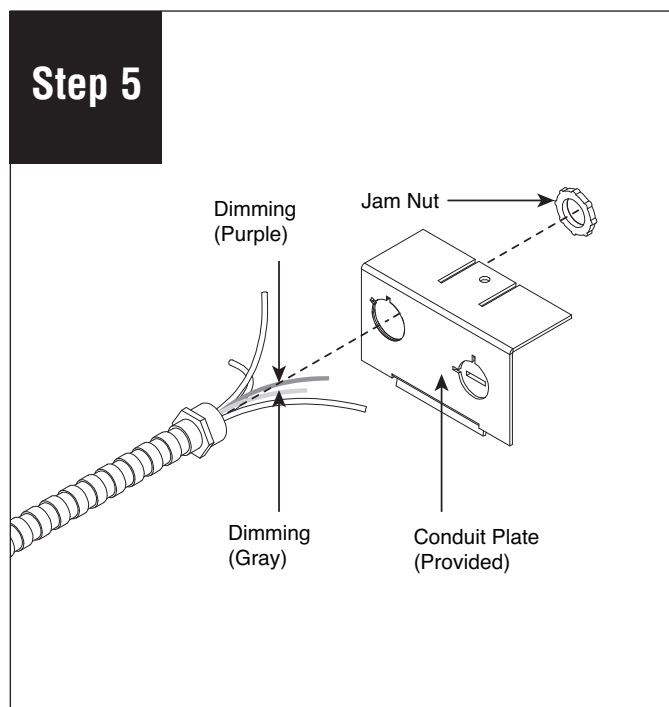
Step 2
Configure T-Bar to luminaire size and leave an opening for luminaire. As noted above.



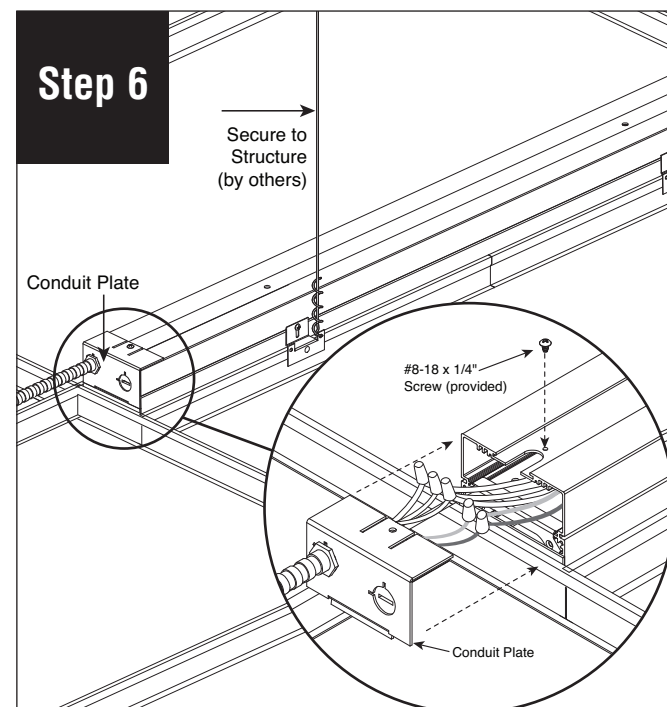
Step 3
Place luminaire on T-Bar.



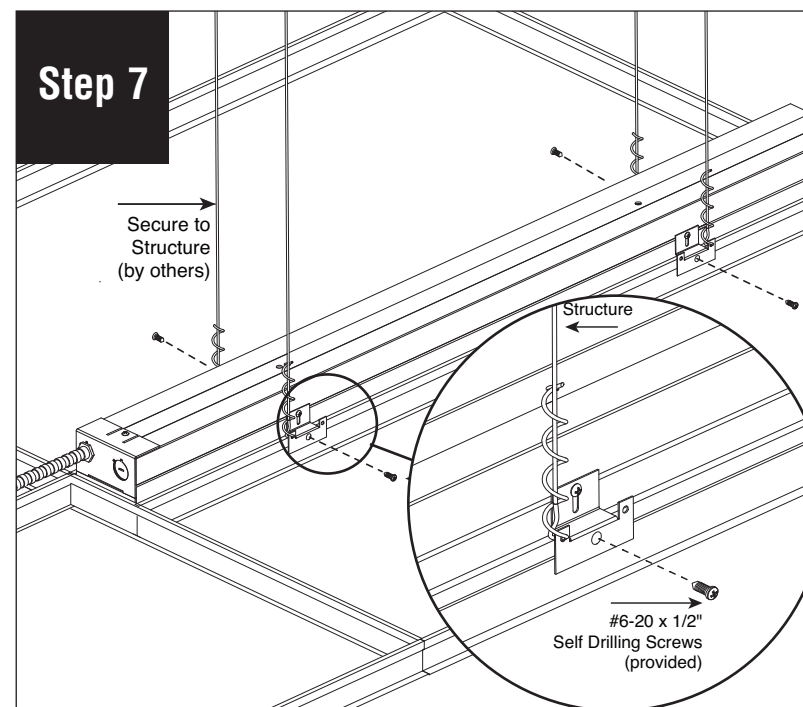
Step 4
Install T-Bar bracket onto luminaire. Secure with #8-18 x 1/4" screws (provided). Secure luminaire to building structure using tie-wire, as per code.



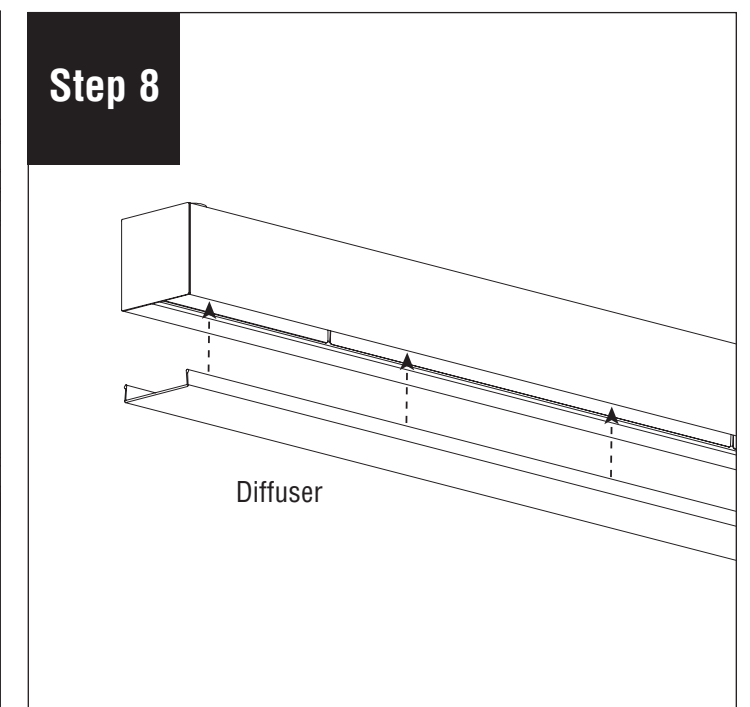
Step 5
Remove conduit plate from end of luminaire and insert conduit through conduit plate. Secure conduit with jam nut. **NOTE:** Purple and gray wires are for Low Voltage Control.



Step 6
Make electrical connections and reinstall conduit plate to luminaire.



Step 7
Secure luminaire to T-Bar by driving #6-20 x 1/2" self drilling screws (provided) through the T-Bar brackets (provided) into the T-Bar.




Step 8
Reinstall diffuser and turn power on to luminaire. **NOTE:** If part of a longer run, diffuser will be reinstalled back into original luminaire section as lengths vary.

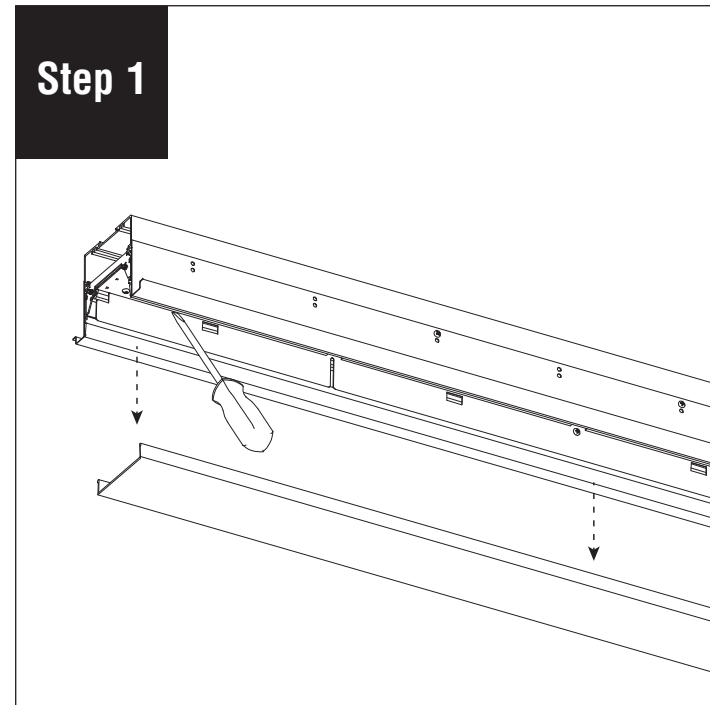
Note: All power connections to be installed to local/national codes by a Certified Electrician.

HP-4 Recessed with Regressed Diffuser Screw Slot Joiner/Ender Installation Instructions

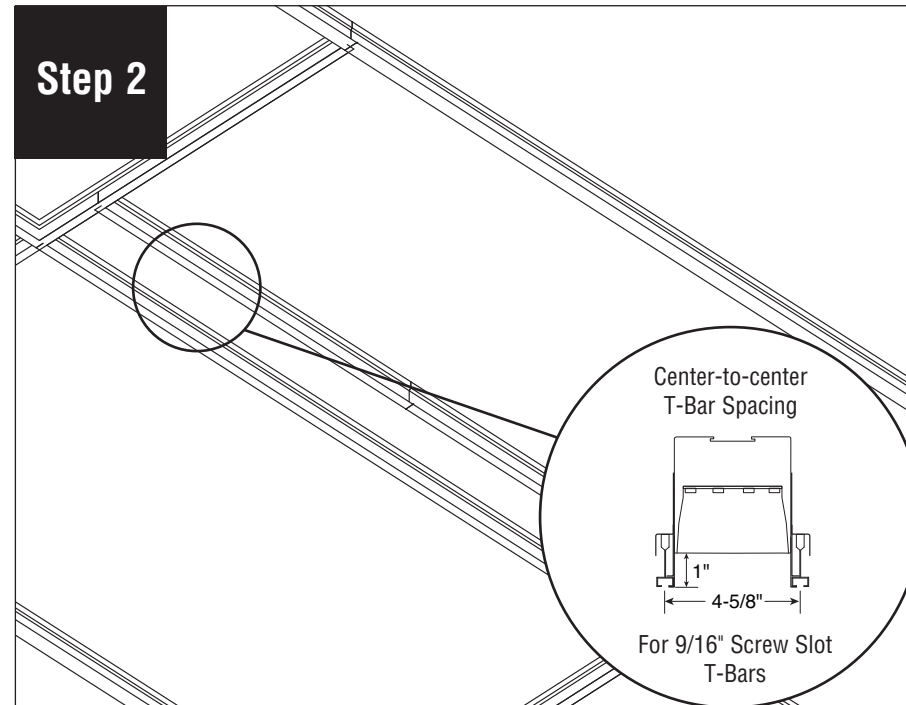
Scan QR code for helpful video(s)



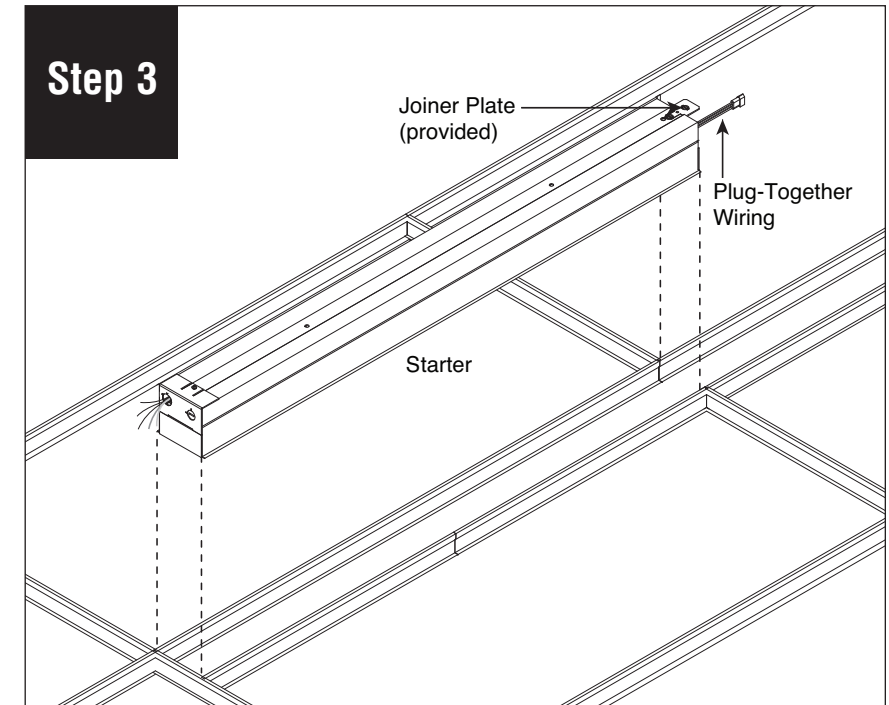
0 - 10V Dimming



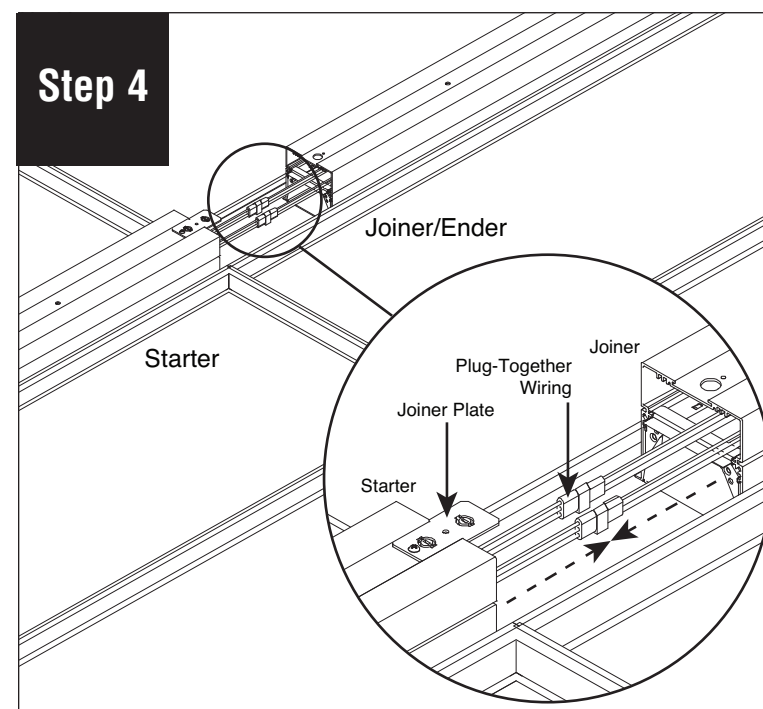
Remove diffuser and set aside to prevent it from getting dirty or damaged. **NOTE:** If part of a longer run, diffuser will be reinstalled back into original luminaire section as lengths vary.



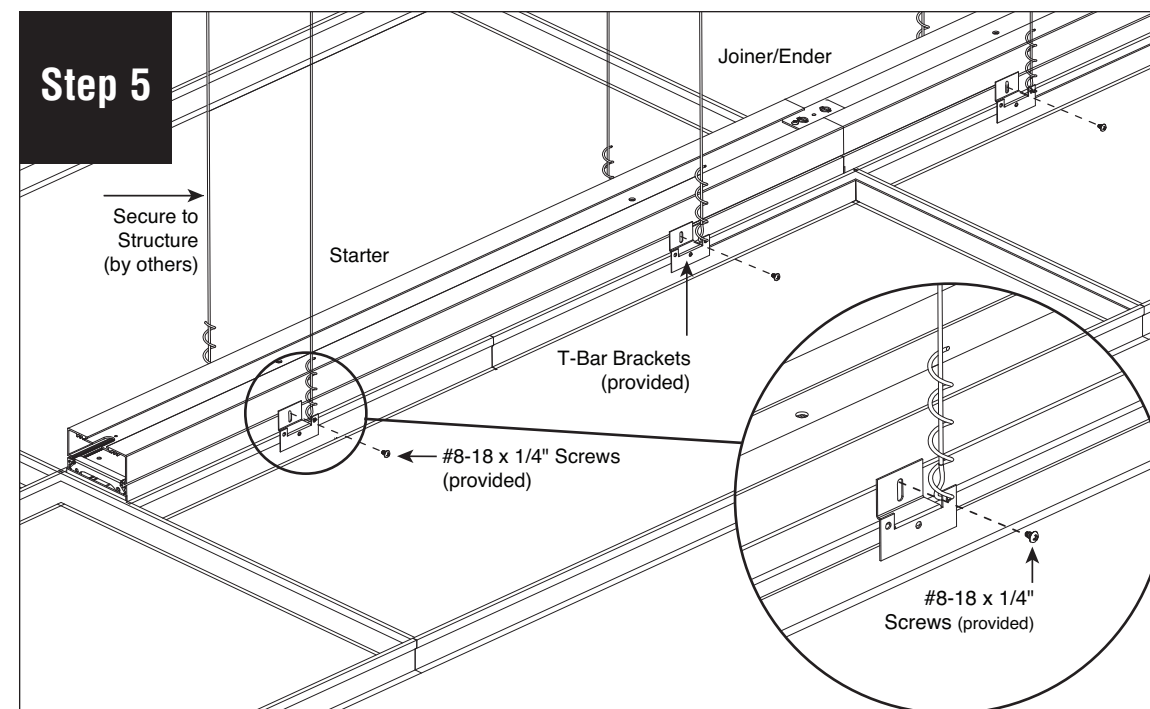
Configure T-Bar to luminaire size and leave an opening for luminaire.



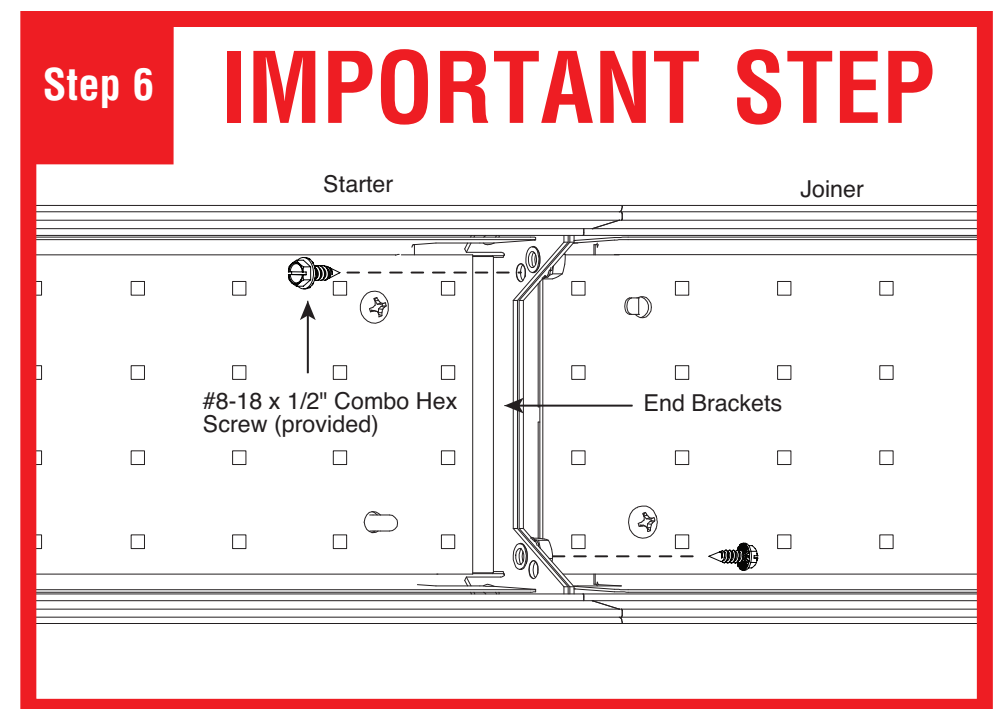
Place luminaire on T-Bar.



Connect plug-together wiring and align joiner/ender with joiner plate and carefully slide starter and joiner/ender together.



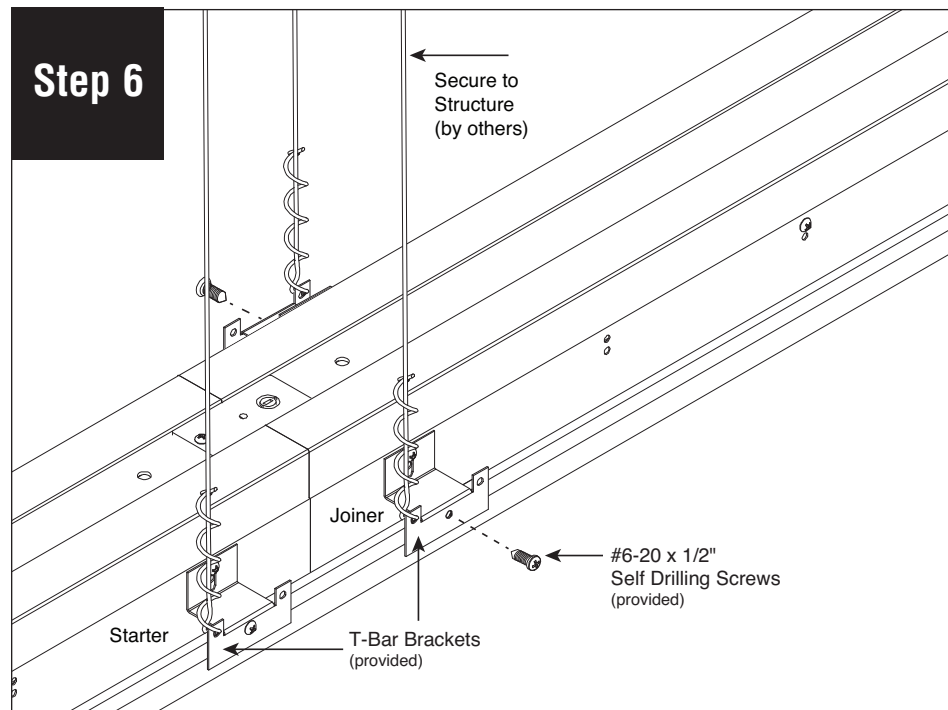
Use #8-18 x 1/4" screws (provided) to install brackets on luminaires. Secure all luminaires to building structure using tie-wire, as per code



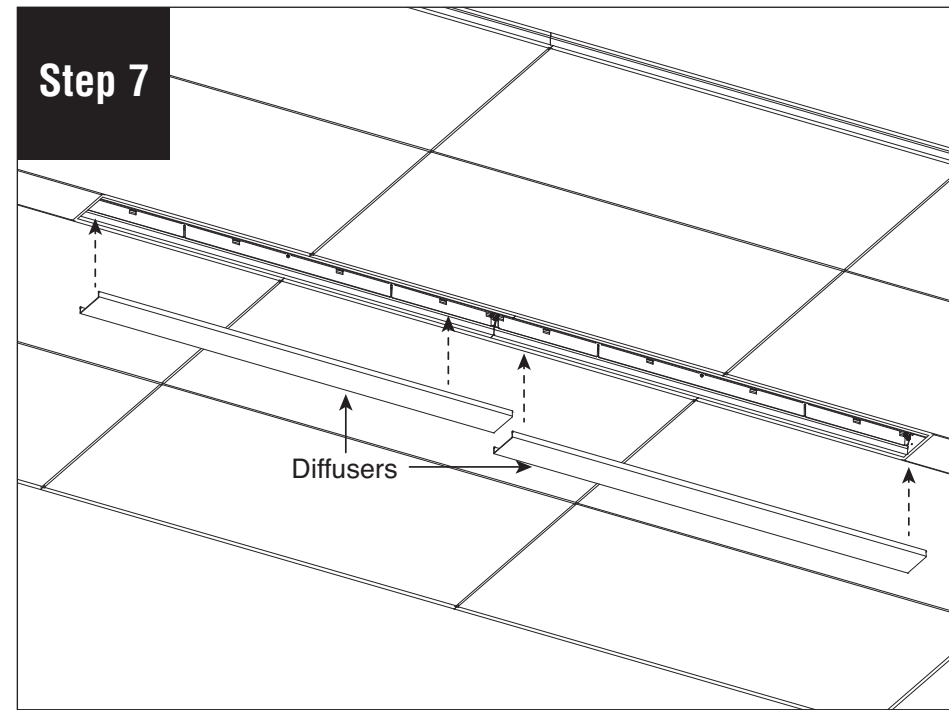
IMPORTANT STEP: Install the two #8-18 x 1/2" combo hex screws (provided) into end bracket as shown. Screws can be installed from the left or right. When installed correctly these hex screws will pull luminaires together to make a tight joint.
CAUTION: Do not over-tighten.

Note: All power connections to be installed to local/national codes by a Certified Electrician.

HP-4 Recessed with Regressed Diffuser Screw Slot Joiner/Ender Installation Instructions



Secure luminaire to T-Bar by driving #6-20 x 1/2" self drilling screws (provided) through the T-Bar brackets (provided) into the T-Bar.



Reinstall diffuser and turn power on to luminaire. **NOTE:** If part of a longer run, diffuser will be reinstalled back into original luminaire section as lengths vary.