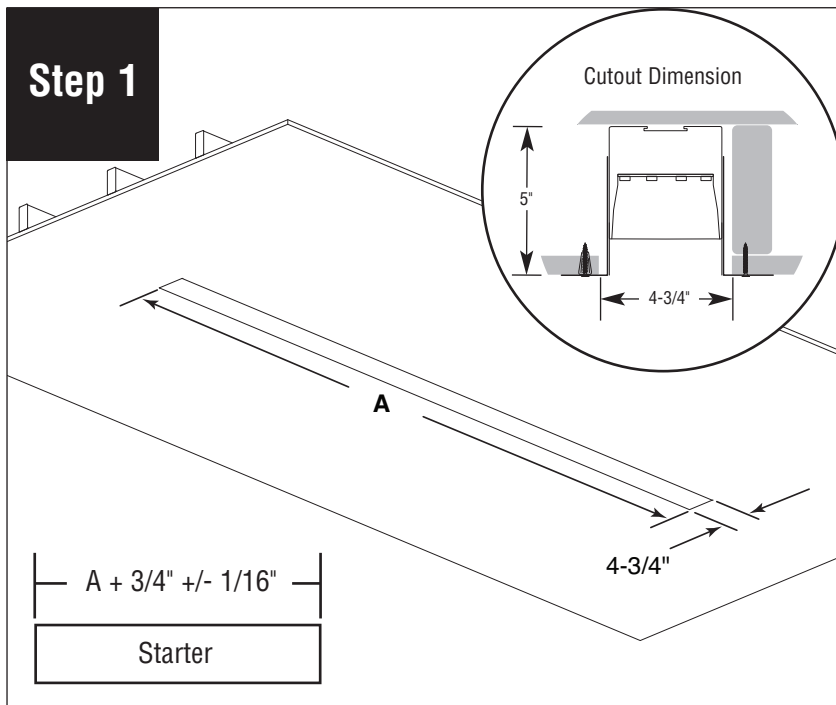


# HP-4 Recessed with Regressed Diffuser Spackle Flange Starter/Independent Installation Instructions

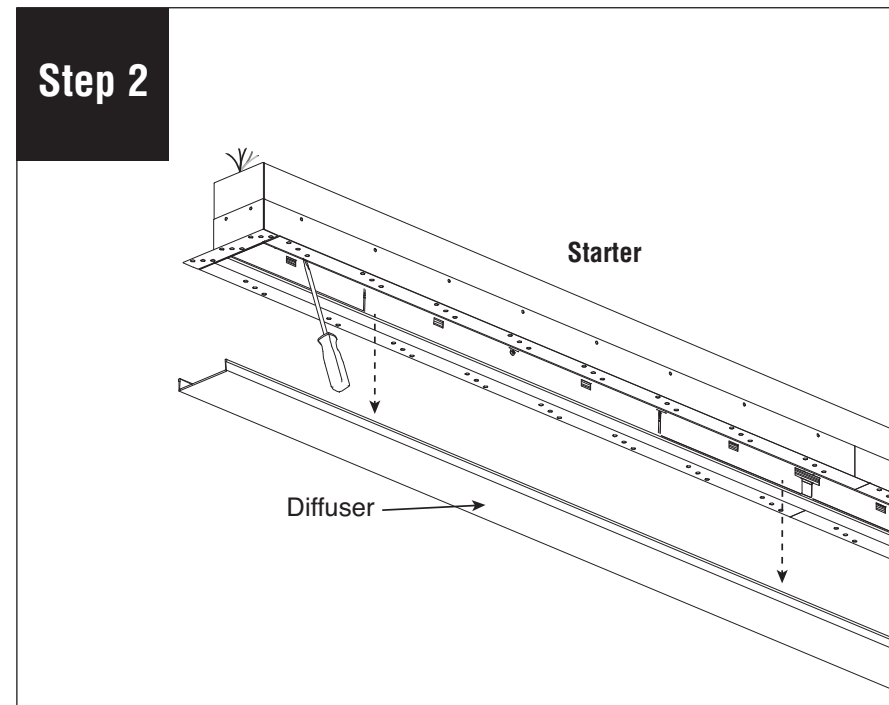
Scan QR code for helpful video(s)



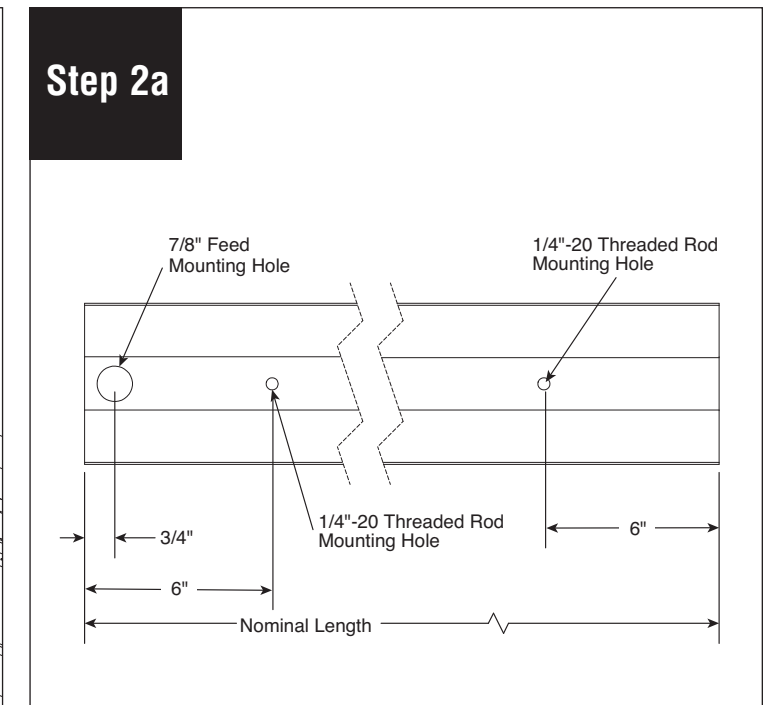
0 - 10V Dimming



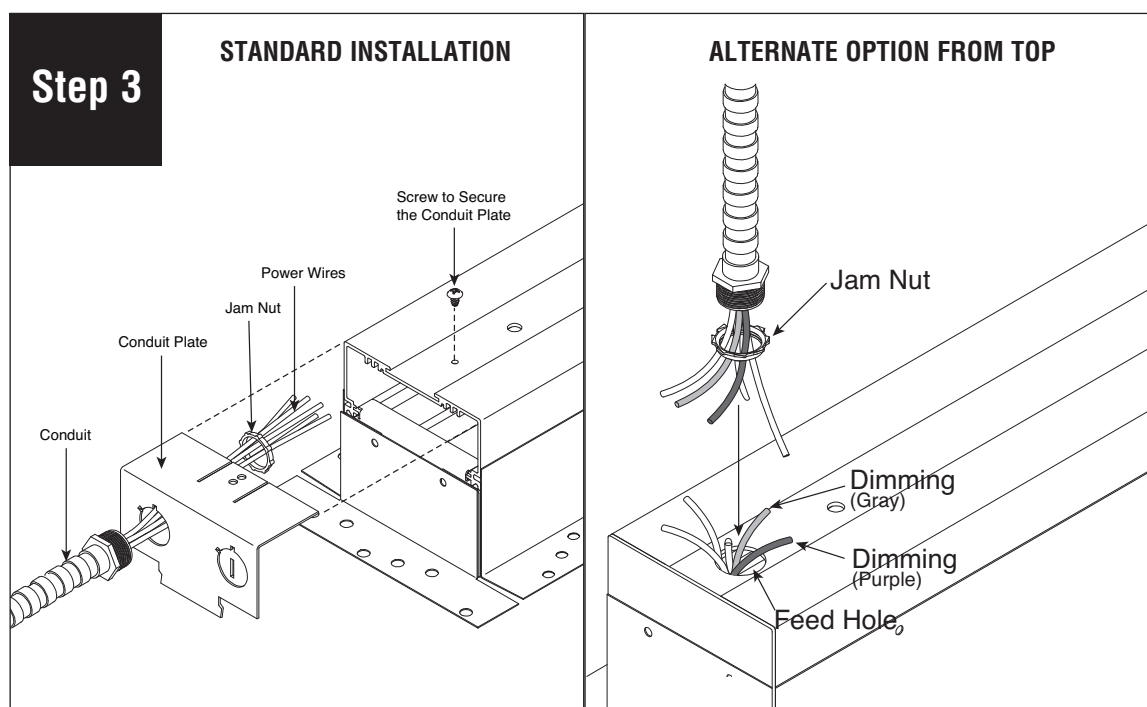
Add 3/4" to the body/row length (A), +/- 1/16" to simplify installation. Luminaire needs to be installed next to support blocking.



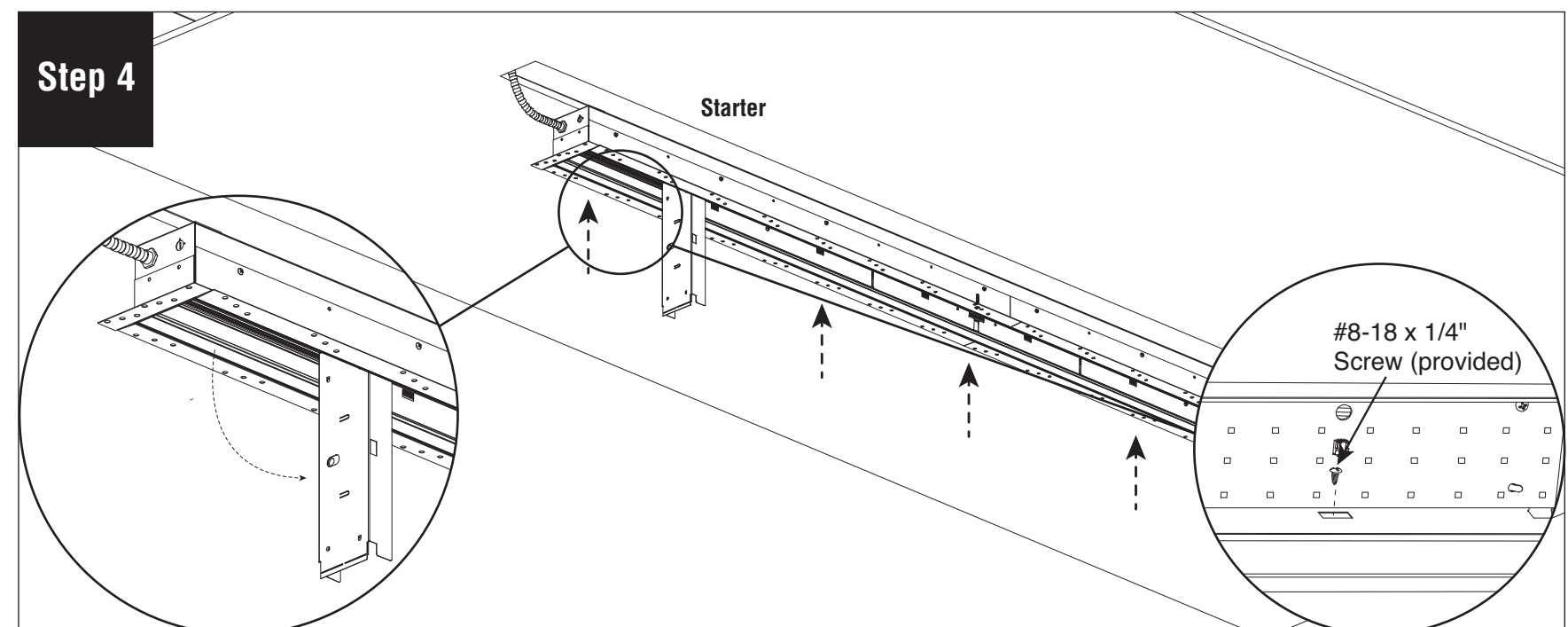
Remove diffuser and set aside to prevent from getting dirty or damaged.



Refer to threads and feed hole locations above before connecting luminaire wires.



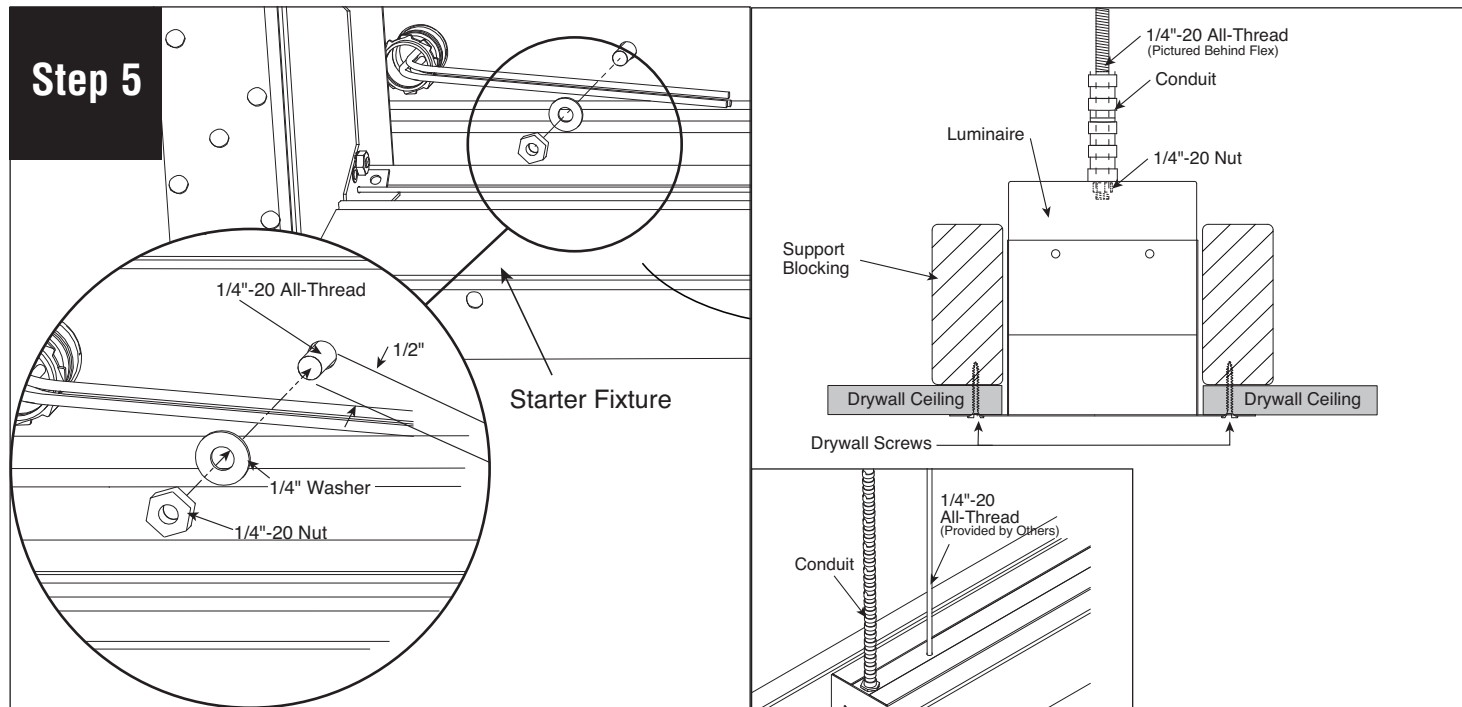
Remove jam nut from conduit then insert wires and connector through feed hole.



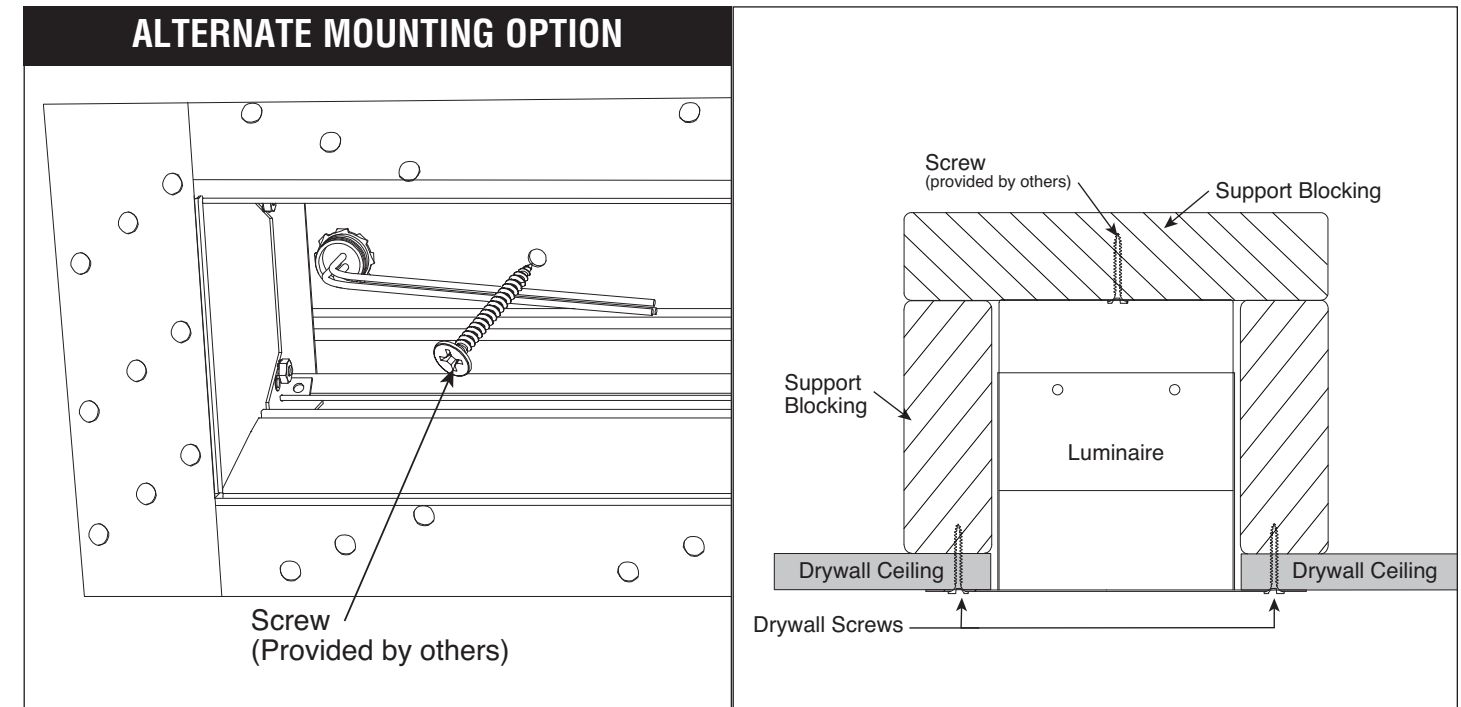
Remove #8-18 x 1/4" screw to open trap door at both ends and align luminaire within rough opening in drywall and 1/4"-20 threaded rod (by others).  
**NOTE:** When adding a joiner/ender, allow the luminaire to hang below ceiling while still having it supported by the threaded rod, washers and nuts.

**Note:** All power connections to be installed to local/national codes by a Certified Electrician.

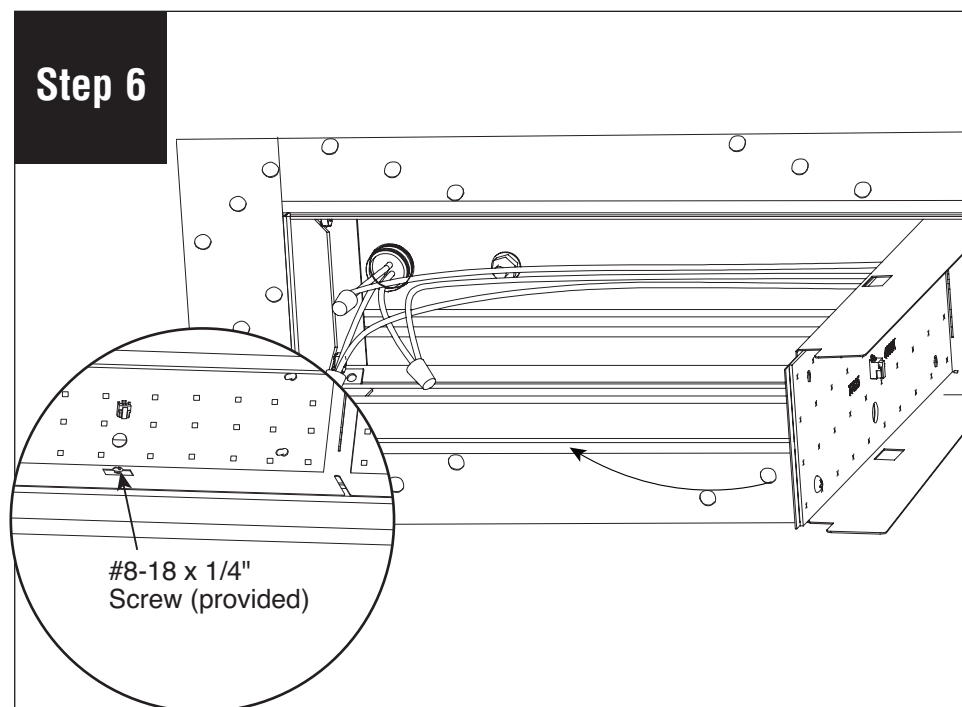
# HP-4 Recessed with Regressed Diffuser Spackle Flange Starter/Independent Installation Instructions



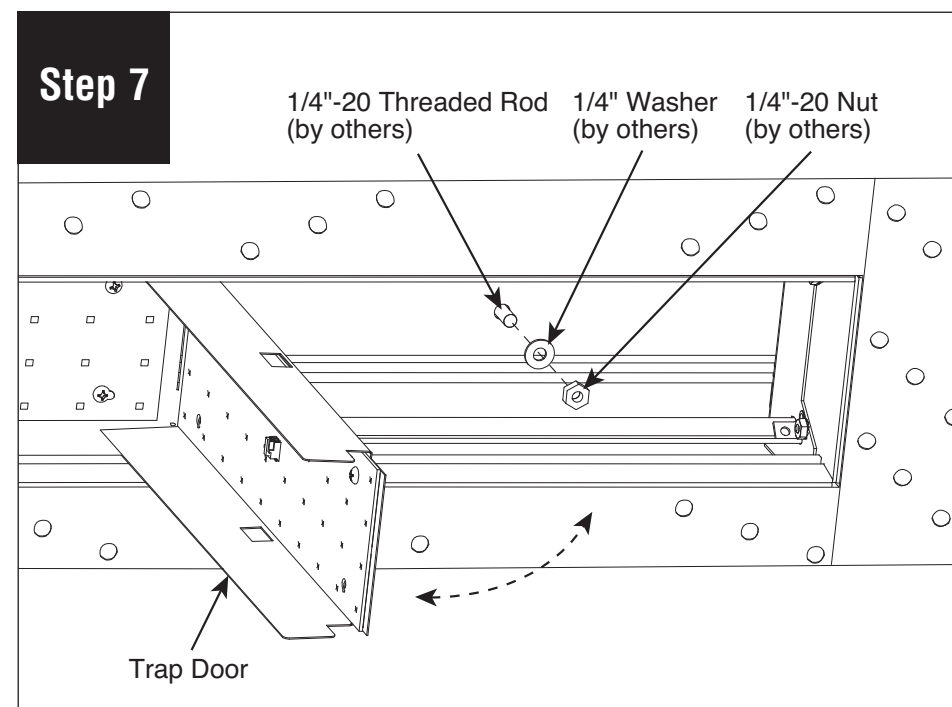
Install jam nut onto connector. Secure luminaire to structure using 1/4"-20 threaded rod. Install 1/4"-20 nut (by others) and 1/4" washer (by others) onto 1/4"-20 threaded rod (by others).



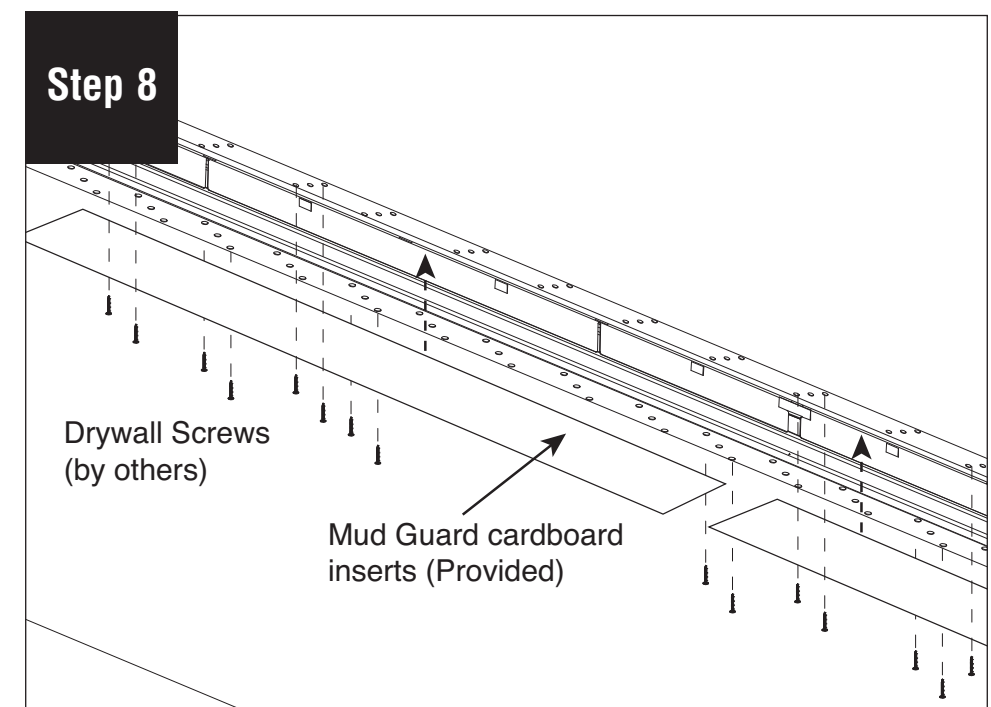
**ALTERNATE MOUNTING OPTION:** Install 1/4" screw (provided by others) through mounting hole into proper structurally supported blocking (provided by others).



Make wire connections and secure trap door with #8-18 x 1/4" screw (provided).



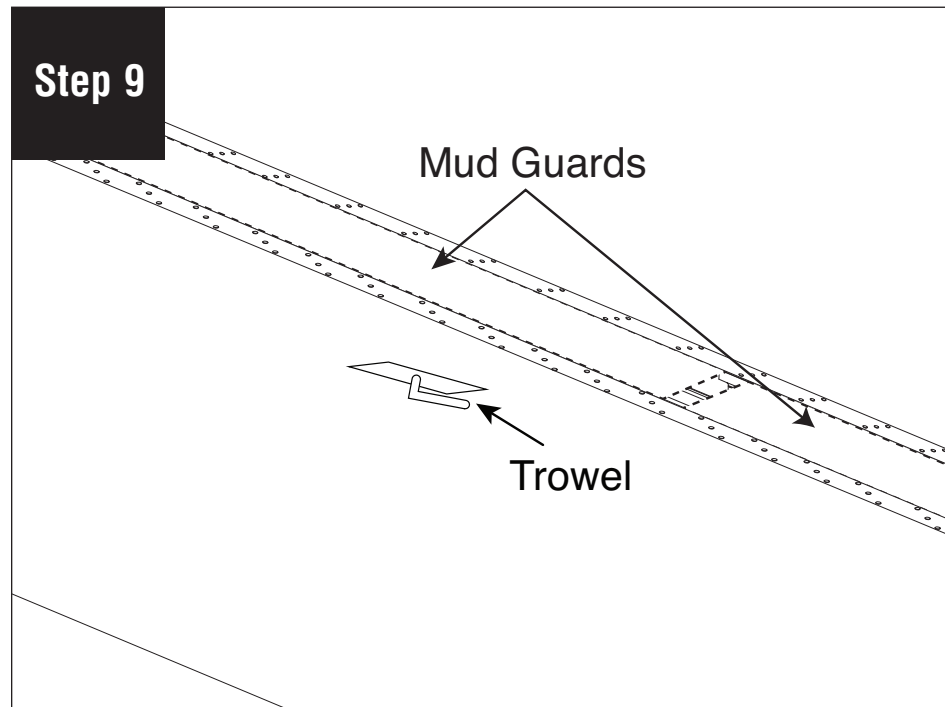
On the opposite end of the joiner/ender luminaire, open trap door. Install 1/4" washer (by others) and 1/4"-20 nut (by others) onto 1/4"-20 threaded rod (by others) or use ALTERNATE MOUNTING in step 5. Replace trap door and fasten with screws.



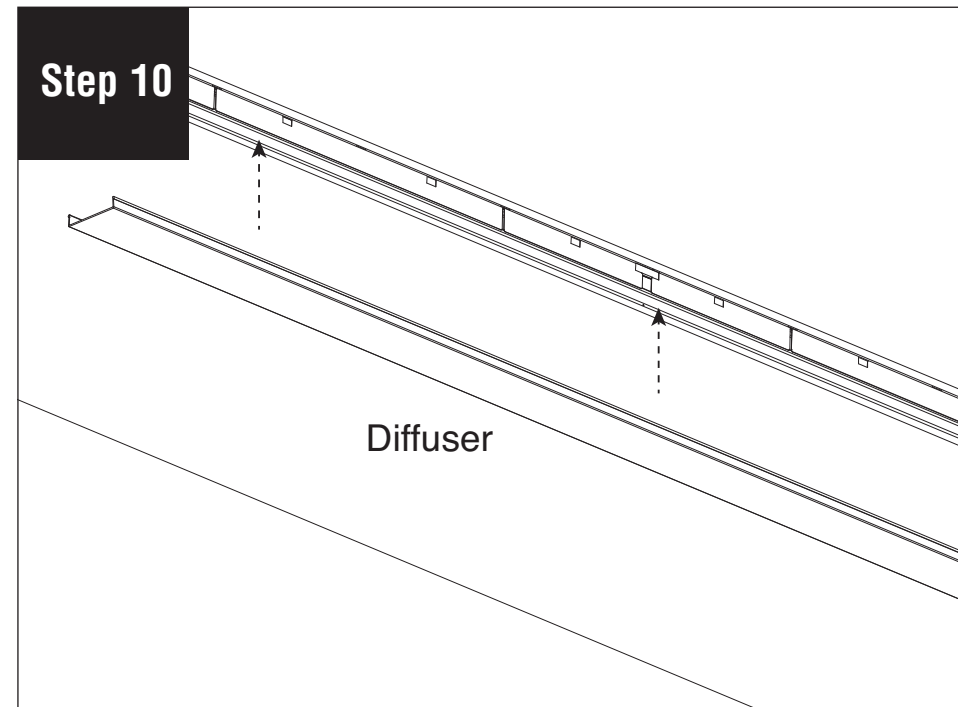
Fasten luminaire to the ceiling with drywall screws (by others) through flange into blocking. Install the "mud guard" cardboard inserts (provided) to help prevent spackle from getting into the luminaire.

**Note:** All power connections to be installed to local/national codes by a Certified Electrician.

# HP-4 Recessed with Regressed Diffuser Spackle Flange Starter/Independent Installation Instructions



Use spackle to cover up the flange. Remove the “mud guard” cardboard inserts (provided) when done.




Reinstall diffuser and turn power on. **NOTE:** If part of a longer run, diffuser will be reinstalled back into original luminaire section as lengths vary.

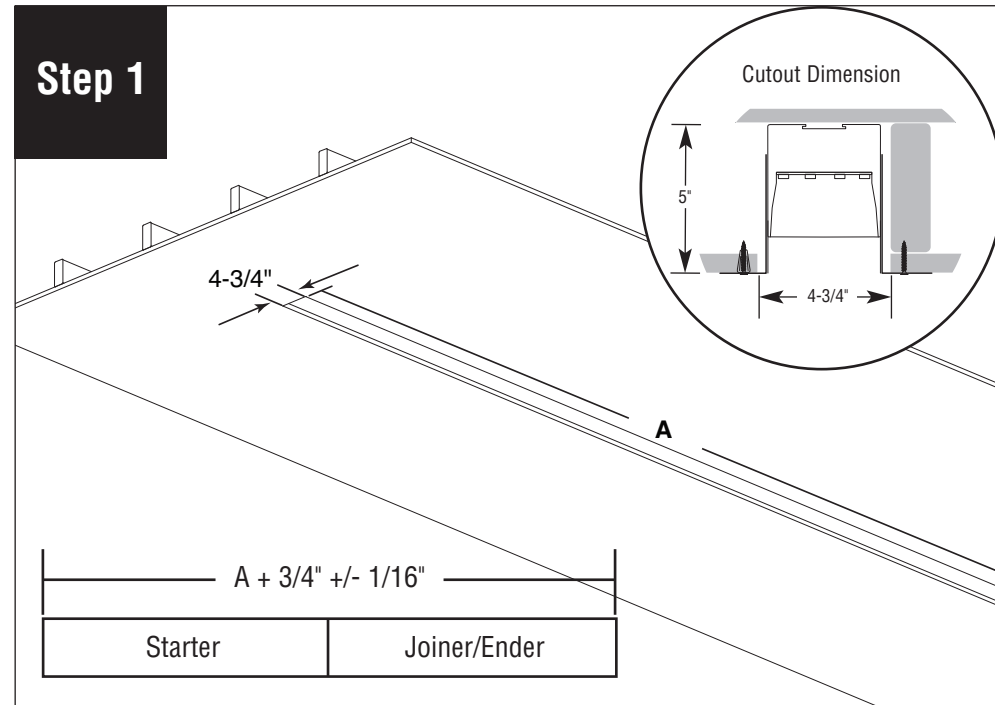
**Note:** All power connections to be installed to local/national codes by a Certified Electrician.

# HP-4 Recessed with Regressed Diffuser Spackle Flange Joiner/Ender Installation Instructions

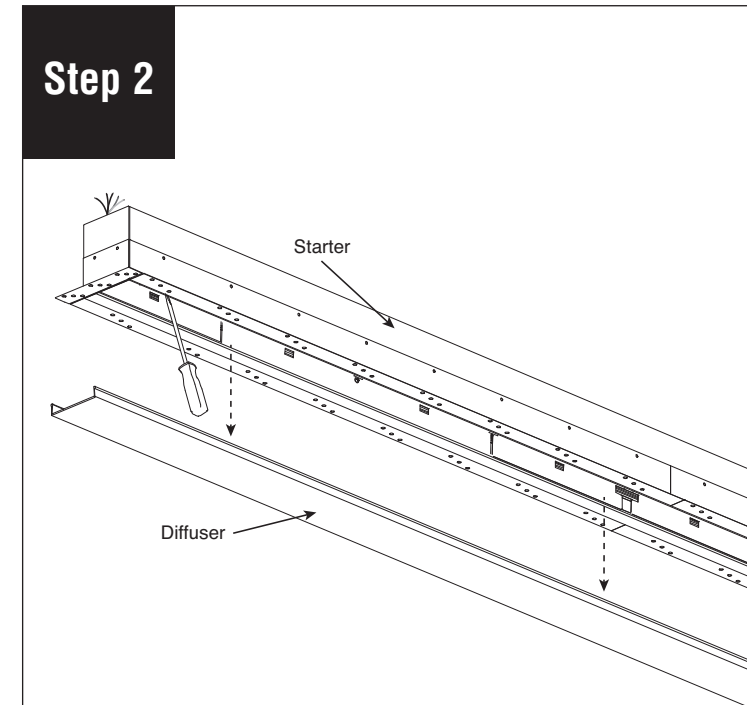
Scan QR code for helpful video(s)



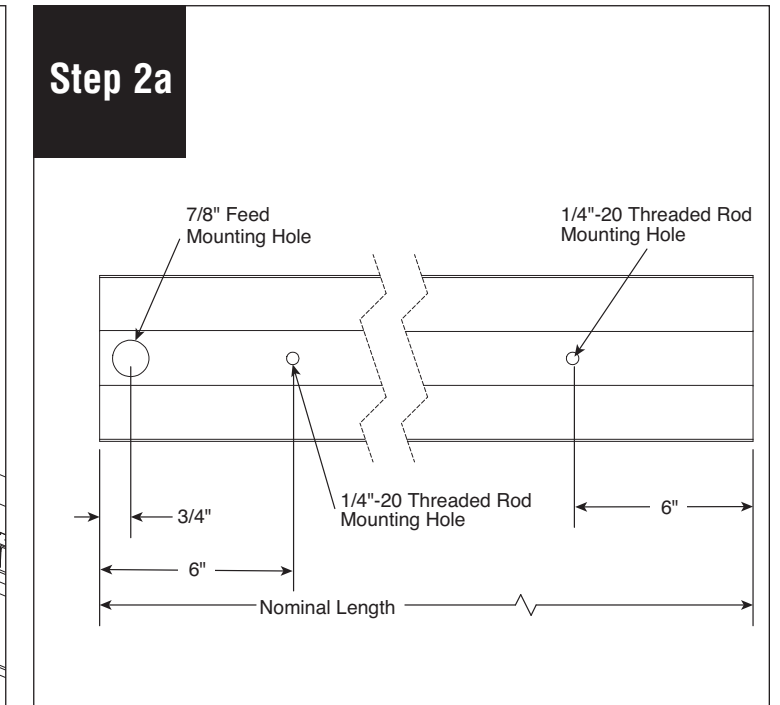
0 - 10V Dimming



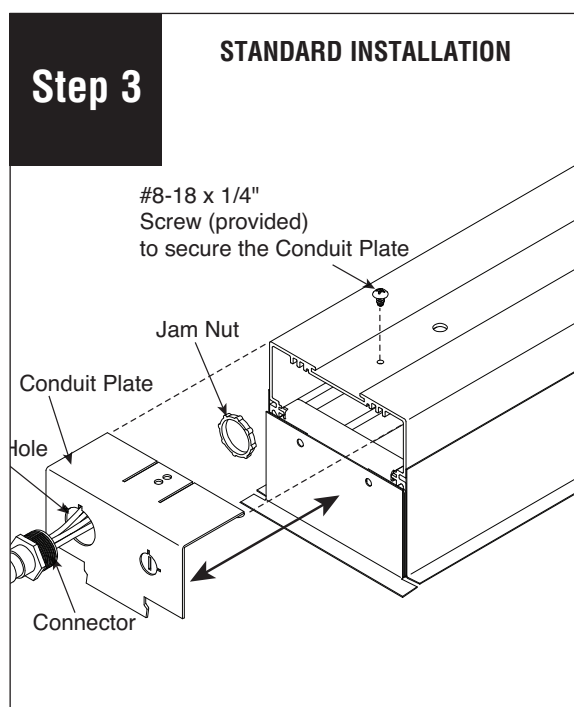
Add 3/4" to the body/row length (**A**), +/- 1/16" to simplify installation. Luminaire needs to be installed next to support blocking.



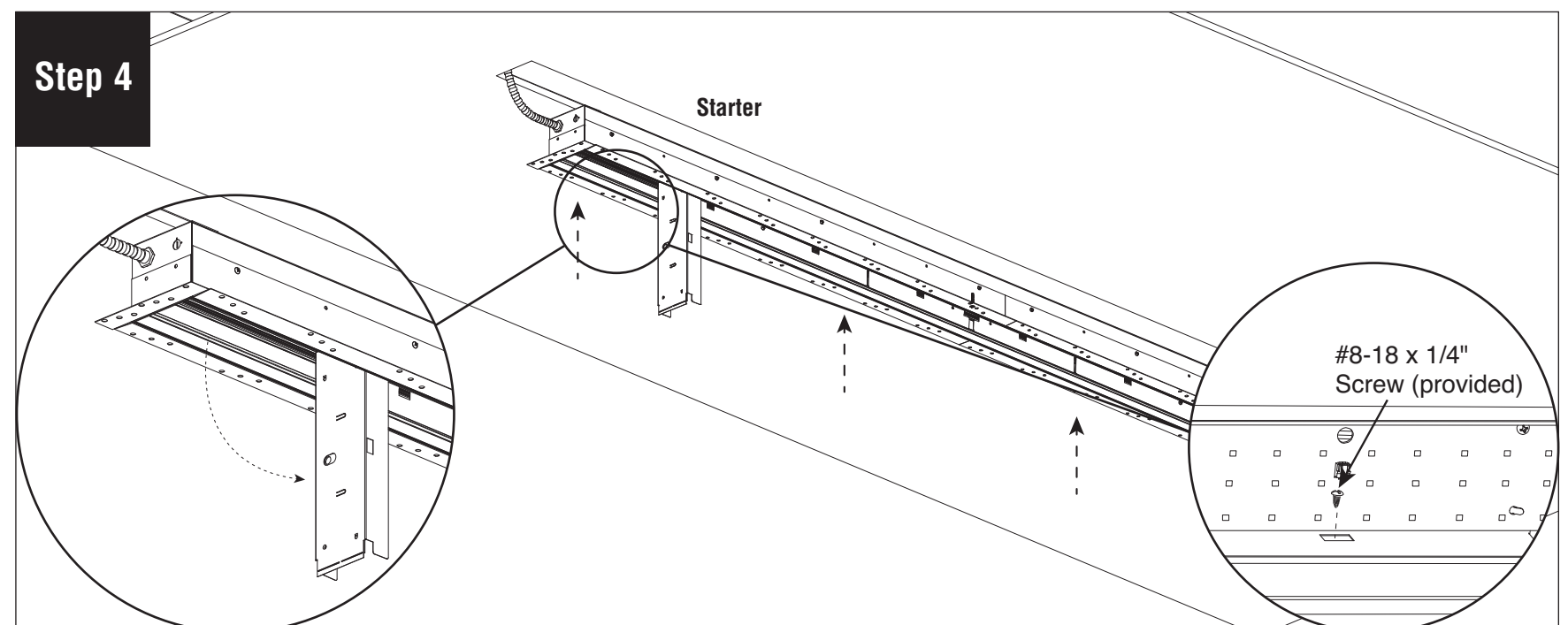
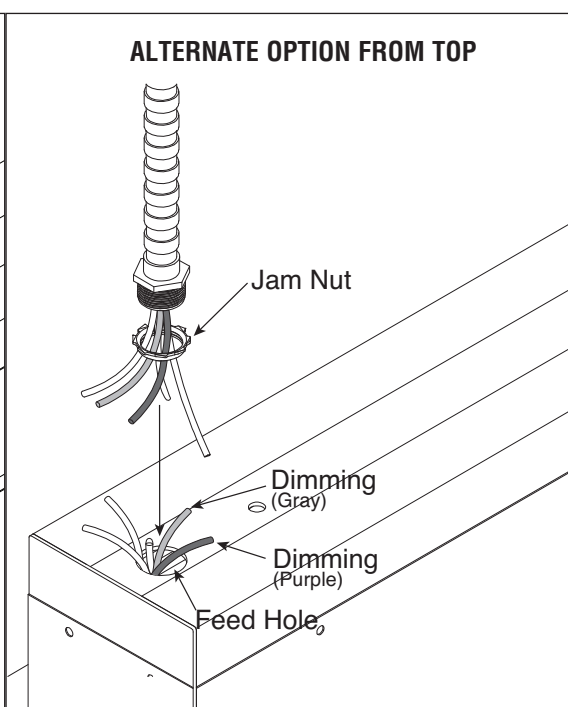
Remove diffuser and set aside to prevent from getting dirty or damaged. **NOTE:** If part of a longer run, diffuser will be reinstalled back into original luminaire section as lengths vary.



Refer to threads and feed hole locations above before connecting luminaire wires.



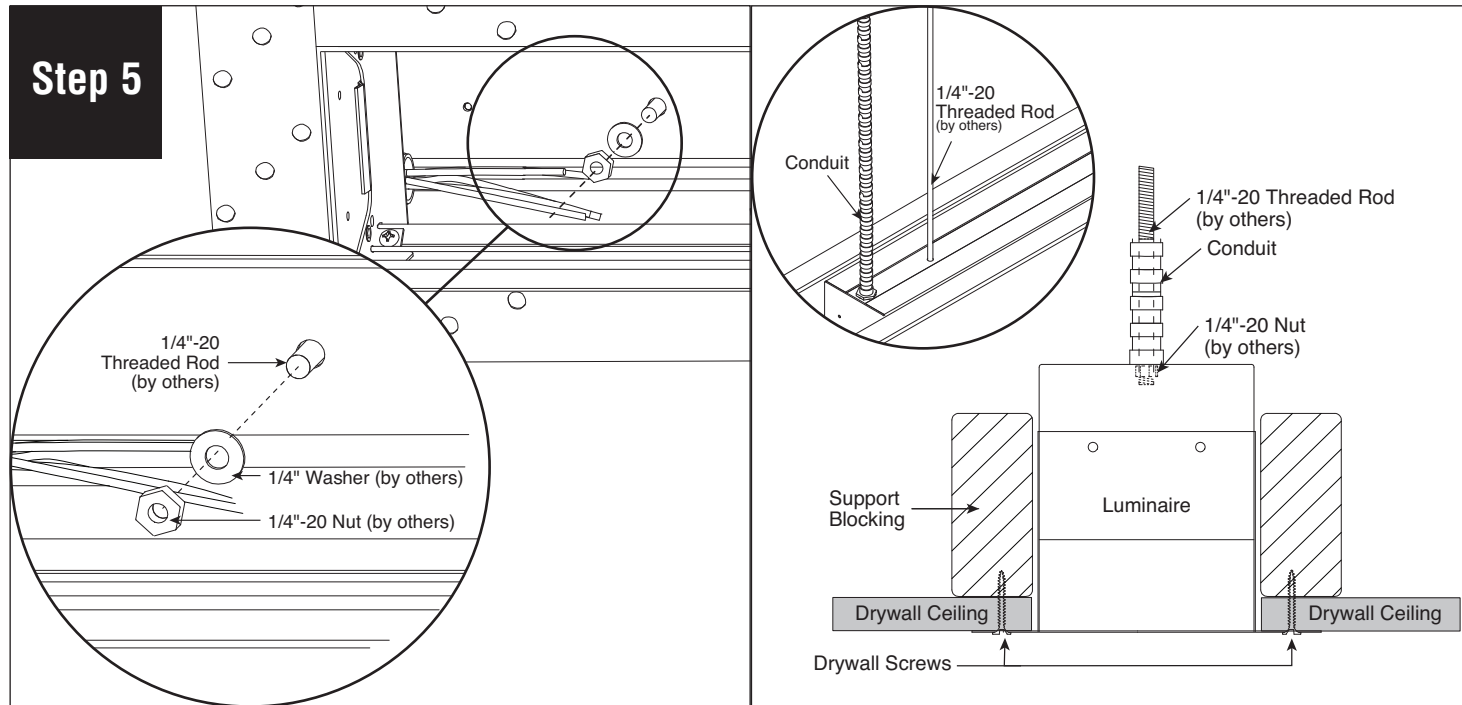
Remove jam nut from conduit then insert wires and connector through feed hole.



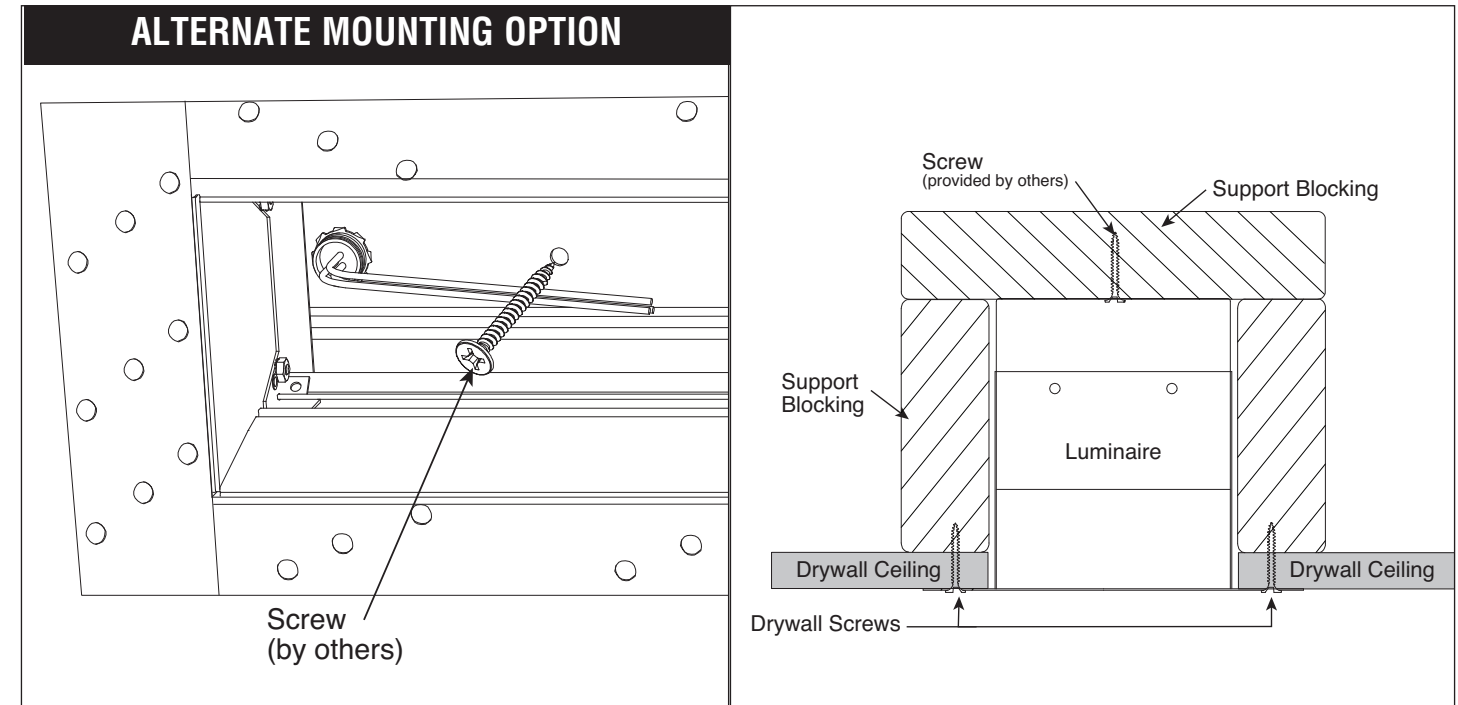
Remove #8-18 x 1/4" screw to open trap door at both ends and align luminaire within rough opening in drywall and 1/4"-20 threaded rod (by others). **NOTE:** When adding a joiner/ender, allow the luminaire to hang below ceiling while still having it supported by the threaded rod, washers and nuts.

**Note:** All power connections to be installed to local/national codes by a Certified Electrician.

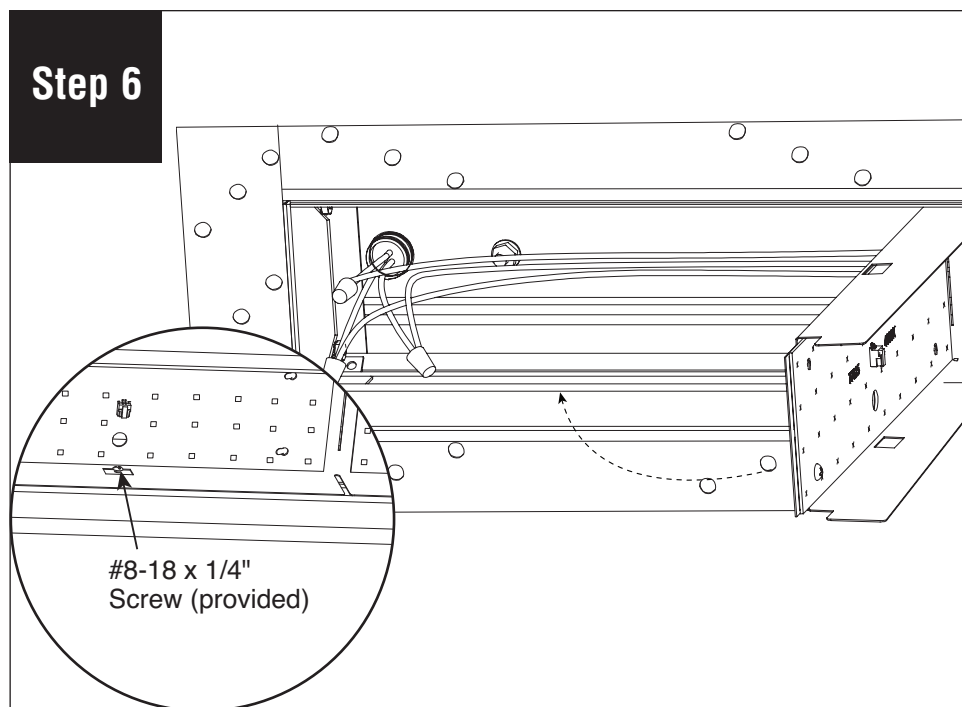
# HP-4 Recessed with Regressed Diffuser Spackle Flange Joiner/Ender Installation Instructions



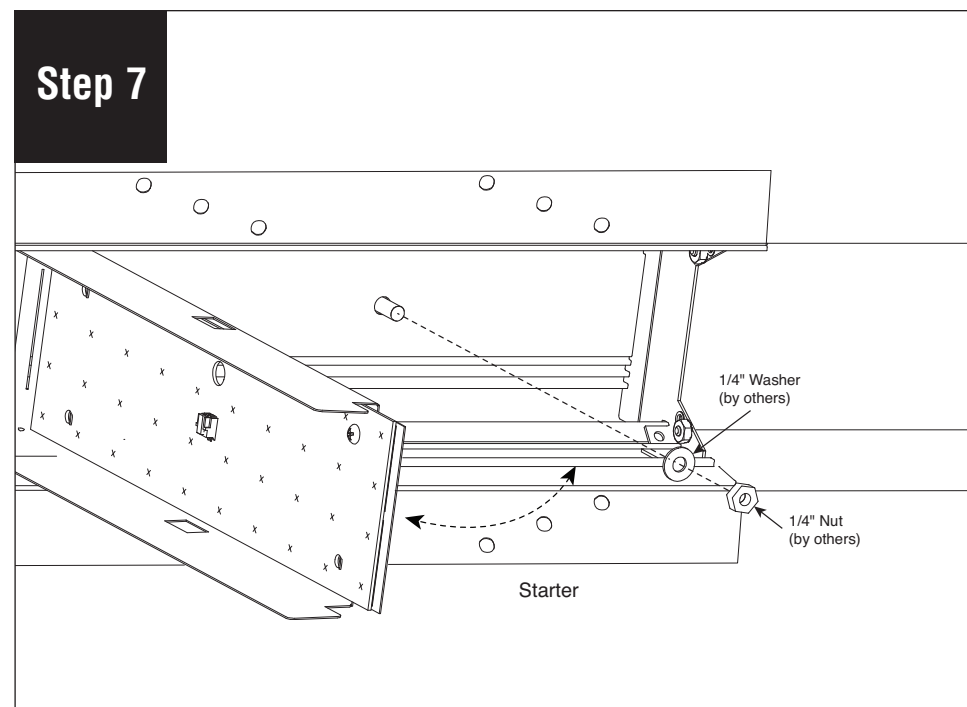
Install jam nut onto connector. Secure luminaire to structure using 1/4"-20 threaded rod. Install 1/4"-20 nut (by others) and 1/4" washer (by others) onto 1/4"-20 threaded rod (by others).



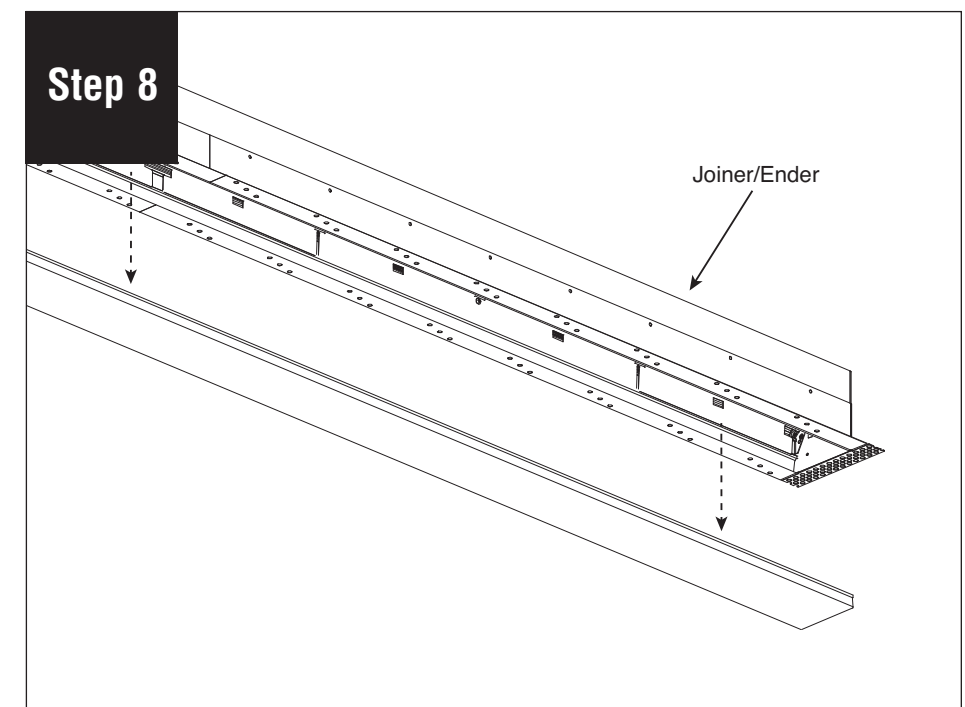
**ALTERNATE MOUNTING OPTION:** Install 1/4" screw (provided by others) through mounting hole into proper structurally supported blocking (provided by others).



Make wire connections and secure trap door with #8-18 x 1/4" screw (provided).



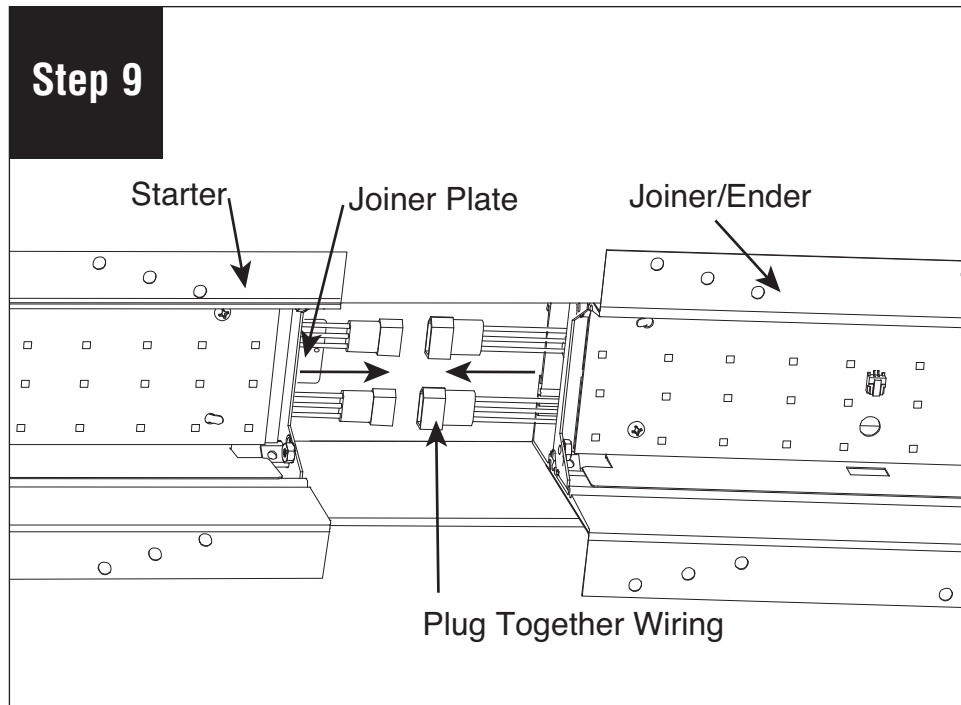
On opposite end of luminaire, open trap door. Install 1/4"-20 nut and 1/4" washer (by others) onto 1/4"-20 threaded rod (by others) or use ALTERNATE MOUNTING in step 5. Replace trap door and fasten with #8-18 x 1/4" screws (provided).



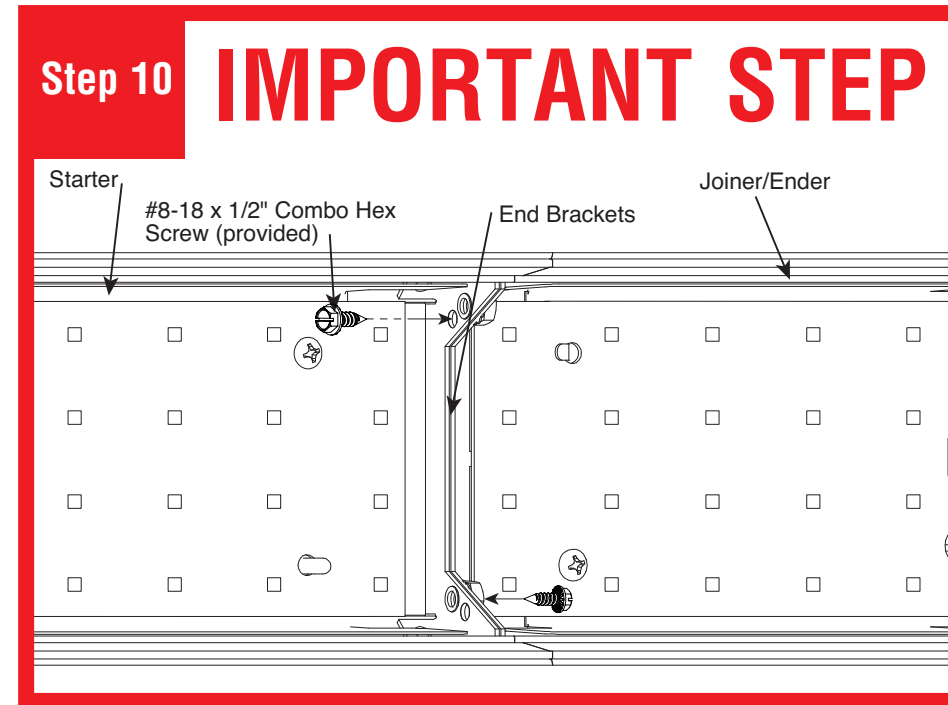
Remove the bottom diffuser from the joiner/ender and set it aside to prevent it from getting dirty or damaged.

**Note:** All power connections to be installed to local/national codes by a Certified Electrician.

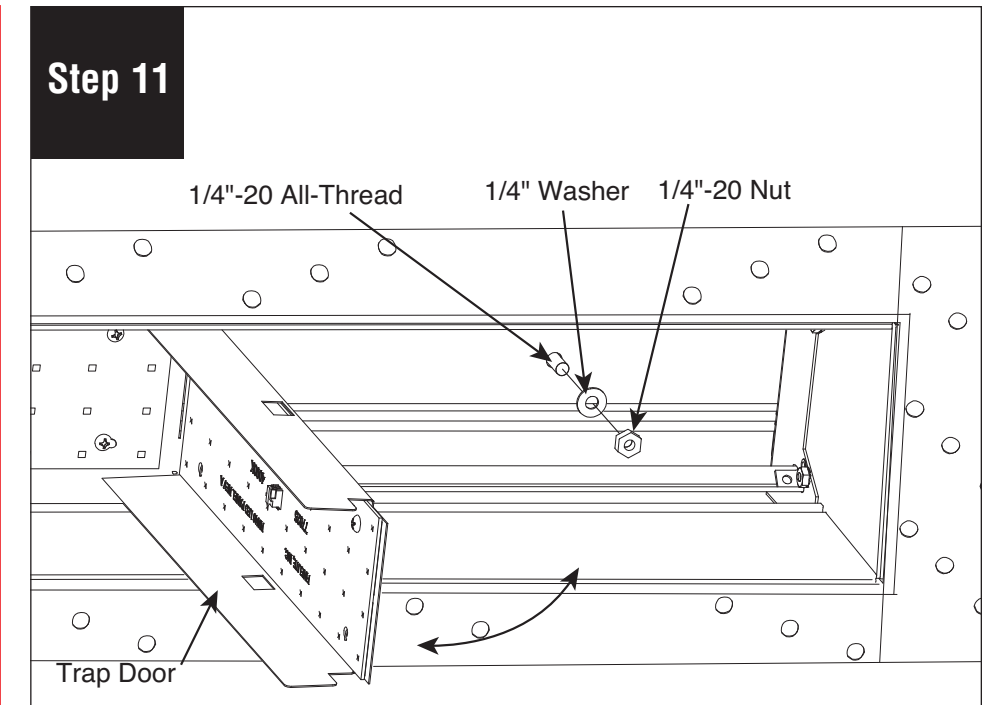
# HP-4 Recessed with Regressed Diffuser Spackle Flange Joiner/Ender Installation Instructions



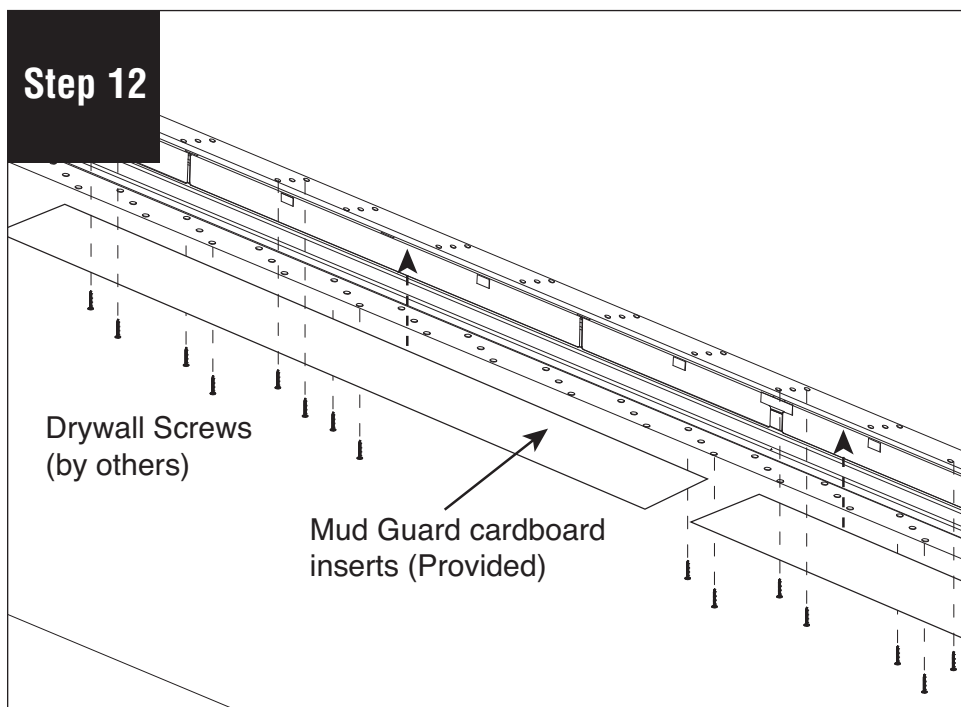
Connect plug-together wiring. Slide joiner to starter luminaire. Be careful not to damage any wiring.



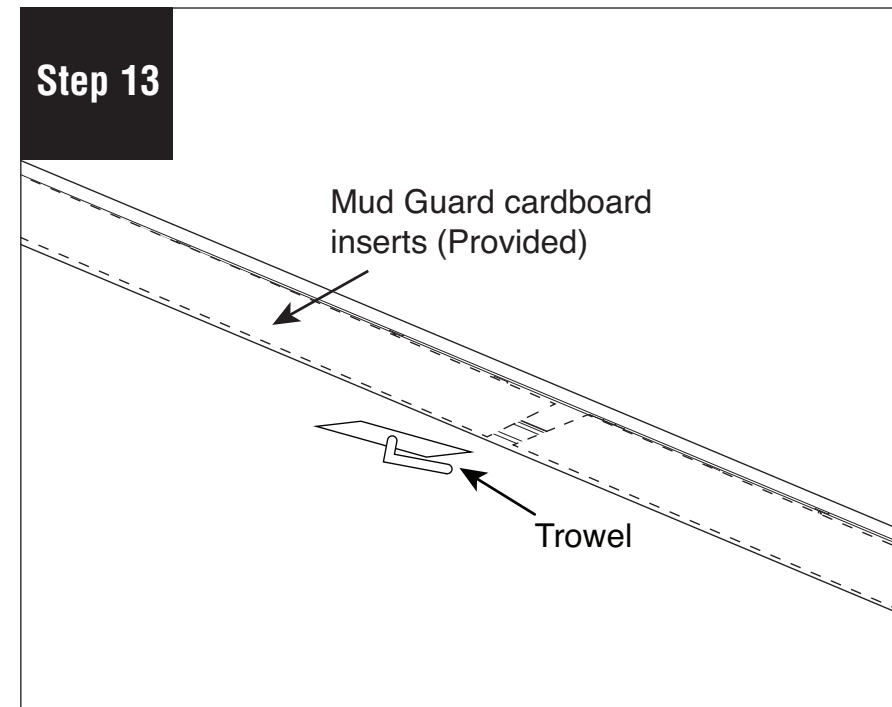
**IMPORTANT STEP:** Install the two #8-18 x 1/2" combo hex screws (provided) into end bracket as shown. Screws can be installed from the left or right. **CAUTION: Do not over-tighten.**



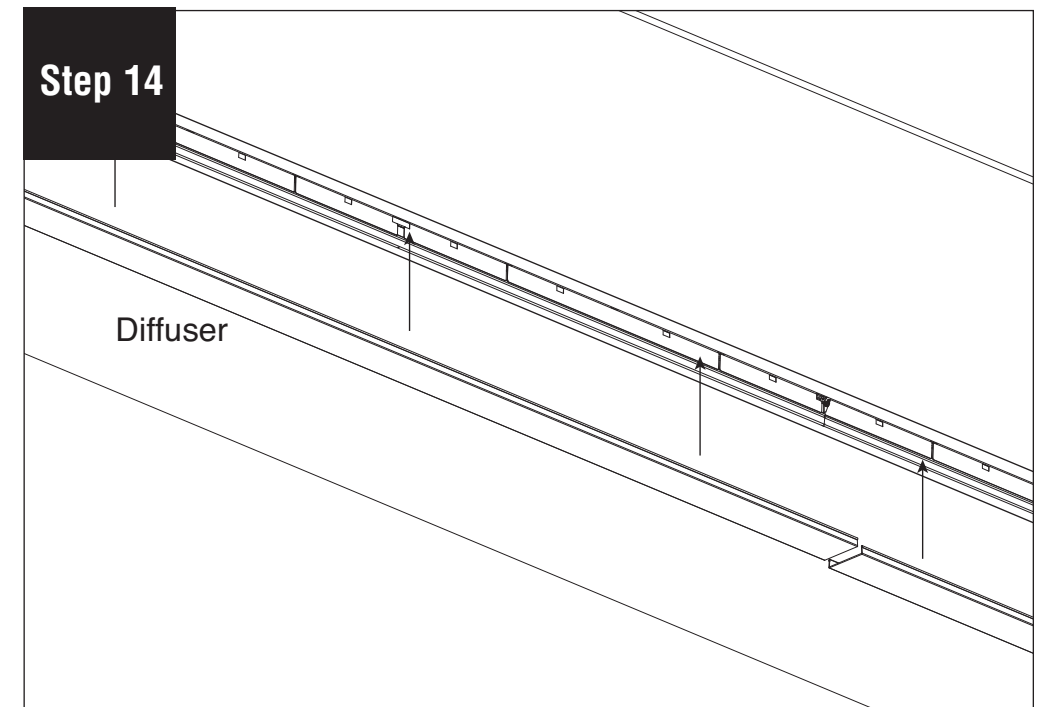
On the opposite end of the joiner/ender luminaire, open trap door. Install 1/4" washer (by others) and 1/4"-20 nut (by others) onto 1/4"-20 threaded rod (by others) or use ALTERNATE MOUNTING in step 5. Replace trap door and fasten with screws.



Fasten luminaire to the ceiling with drywall screws (by others) through flange into blocking. Install the "mud guard" cardboard inserts (provided) to help prevent spackle from getting into the luminaire.



Use the spackle to cover the flange. Remove the "mud guard" cardboard inserts (provided) when done.



Reinstall diffusers and turn power on to luminaires. **NOTE:** If part of a longer run, diffuser will be reinstalled back into original luminaire section as lengths vary.

**Note:** All power connections to be installed to local/national codes by a Certified Electrician.