
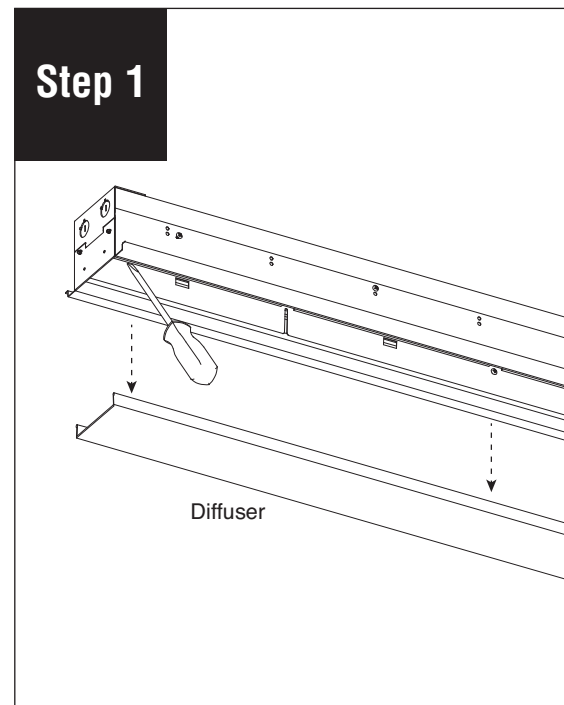


HP-4 Recessed with Regressed Diffuser Tech Zone 6" Starter/Independent Installation Instructions

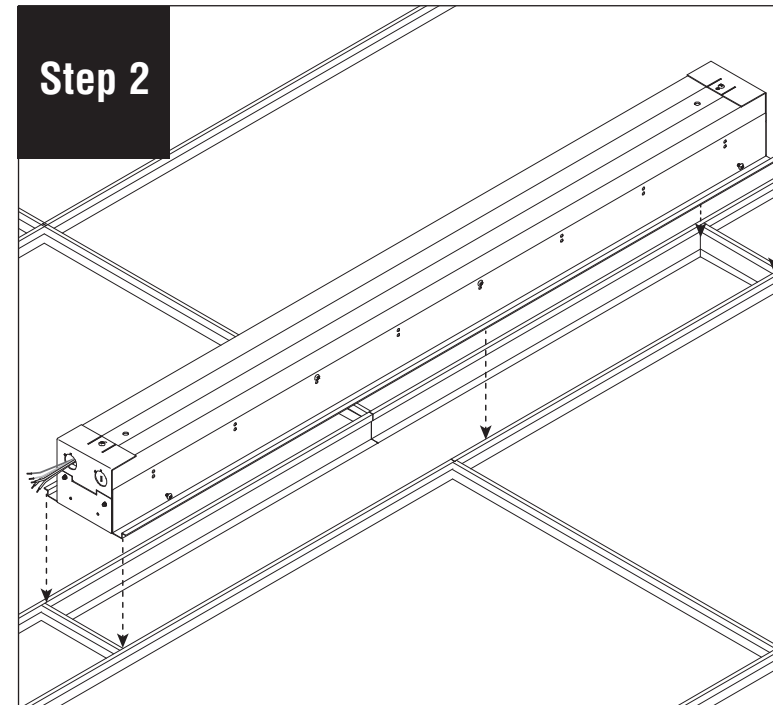
Scan QR code for helpful video(s)



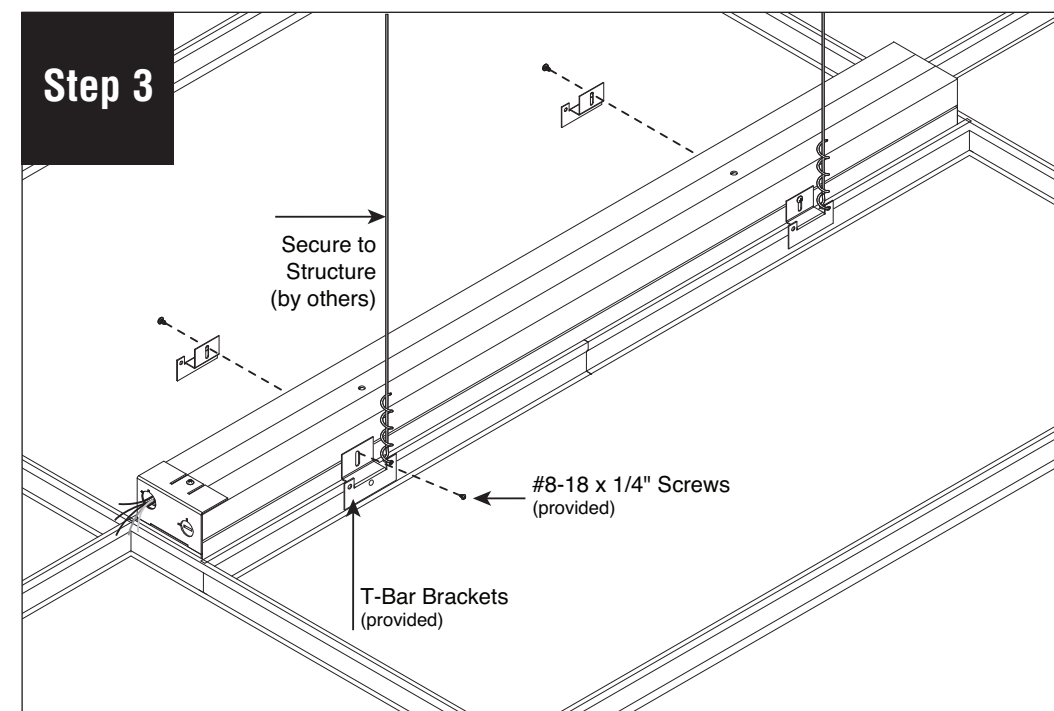
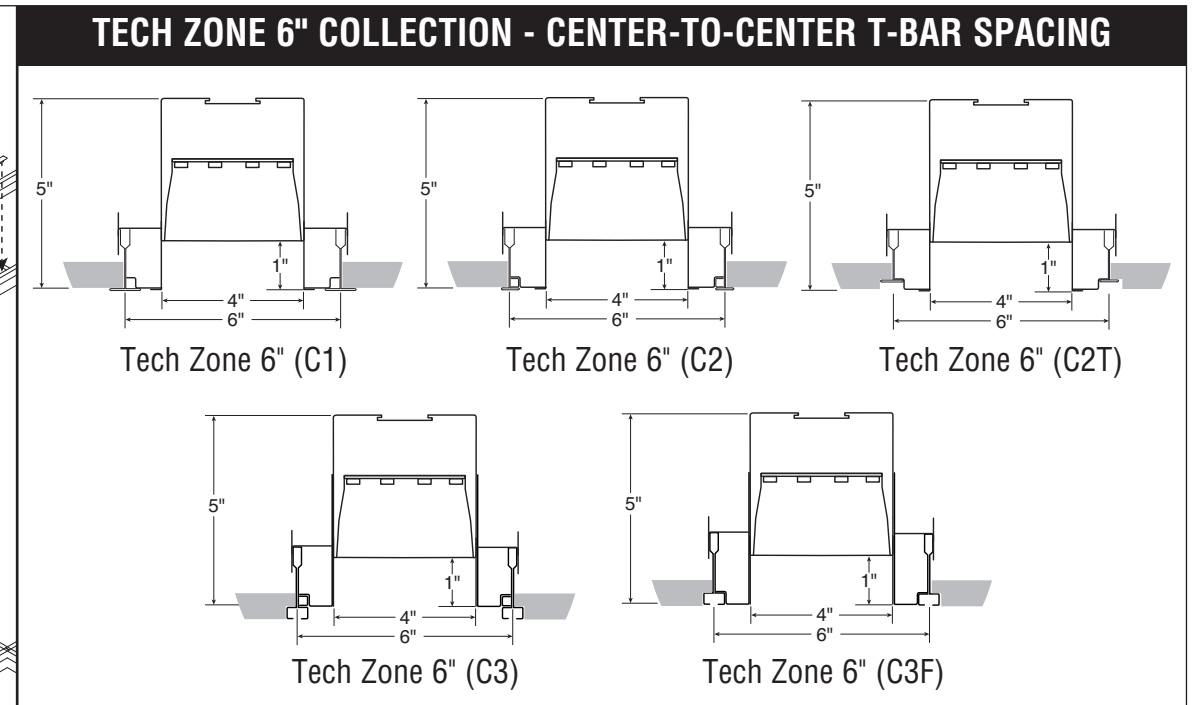
0 - 10V Dimming



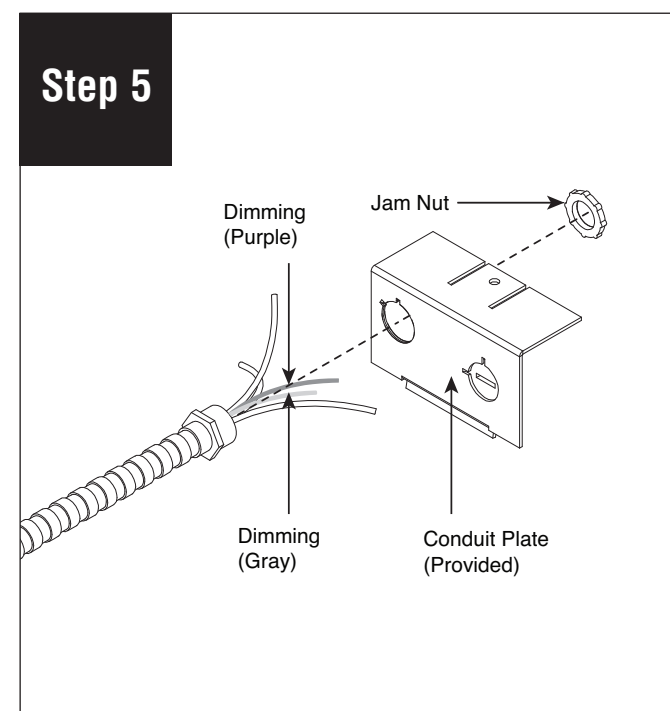
Remove diffuser and set aside to prevent from getting dirty or damaged.



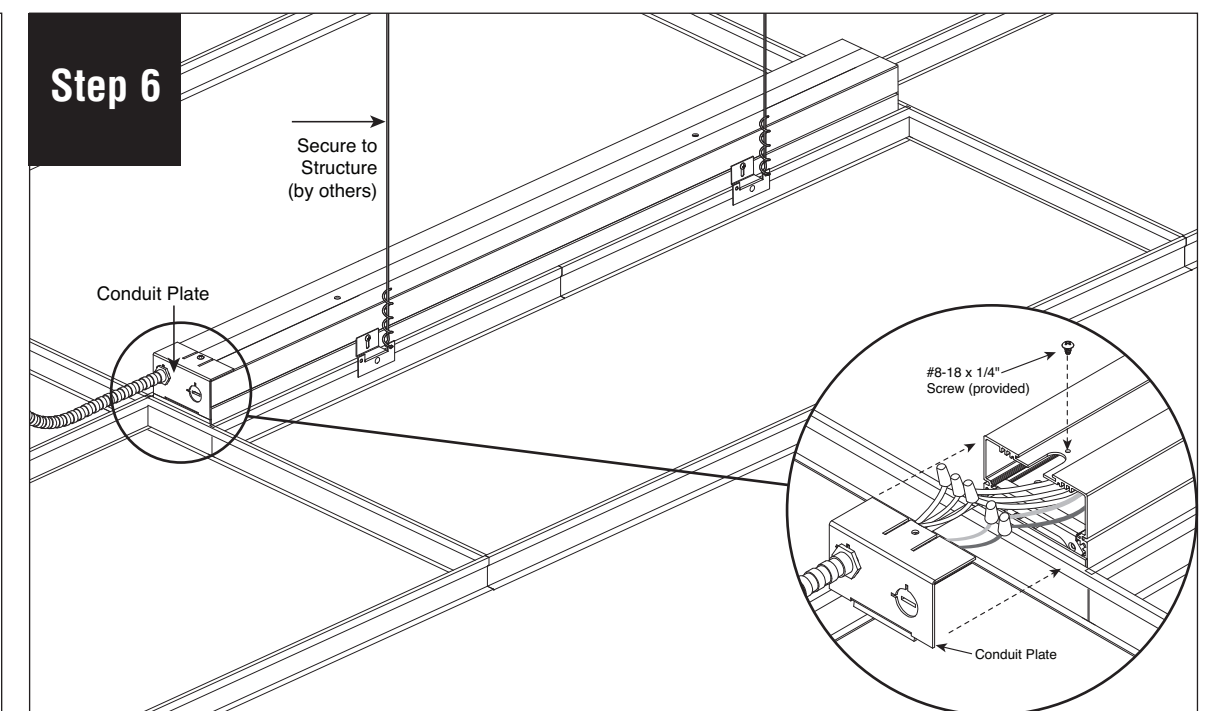
Place luminaire on ceiling grid.



Install T-Bar bracket onto luminaire. Secure with #8-18 x 1/4" screws (provided). Secure luminaire to building structure using tie-wire, as per code.



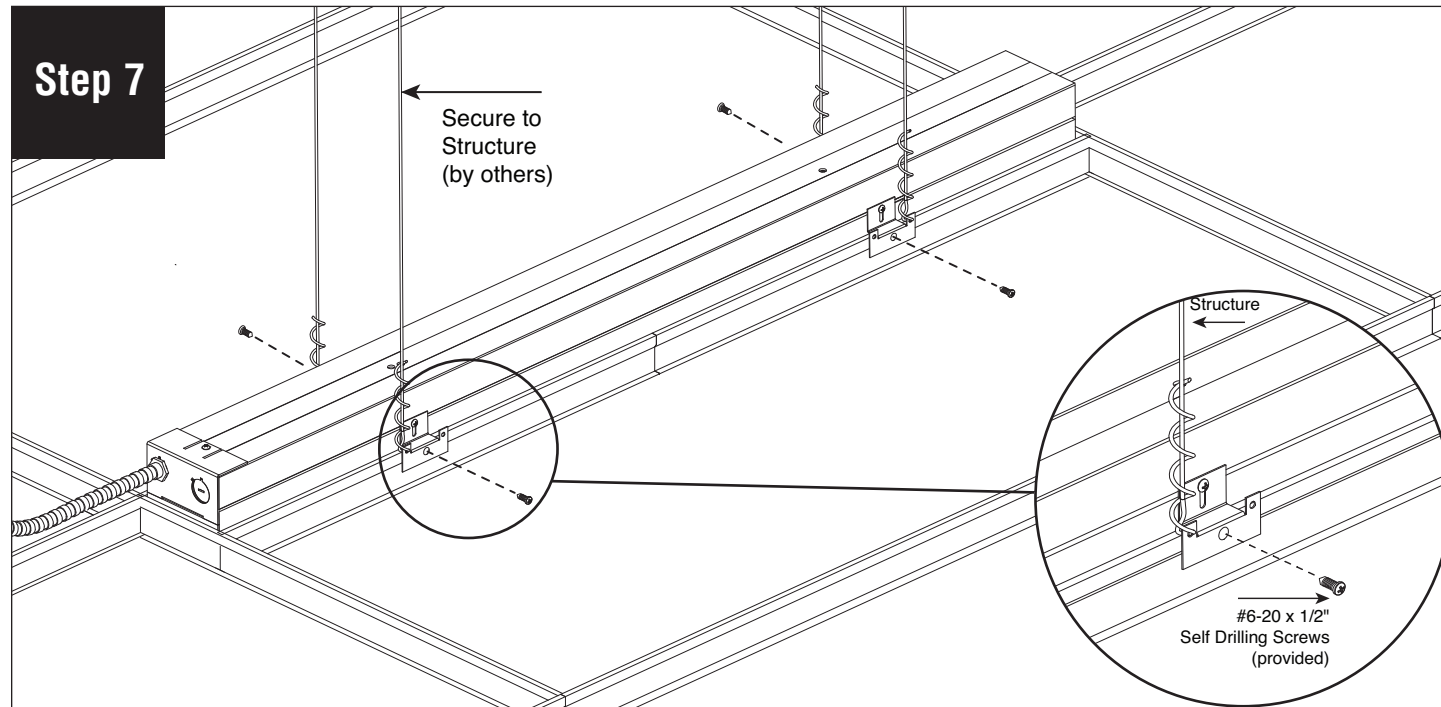
Remove conduit plate from end of luminaire and insert conduit through conduit plate. Secure conduit with jam nut.
NOTE: Purple and gray wires are for Low Voltage Control.



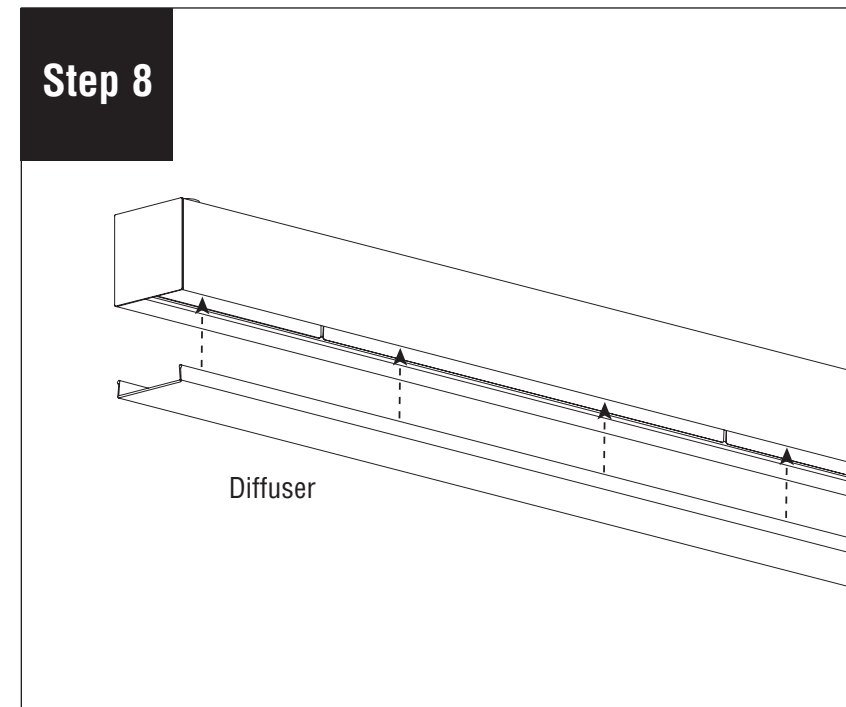
Make electrical connections and reinstall conduit plate to luminaire.

Note: All power connections to be installed to local/national codes by a Certified Electrician.

HP-4 Recessed with Regressed Diffuser Tech Zone 6" Starter/Independent Installation Instructions



Secure luminaire to T-Bar by driving #6-20 x 1/2" self drilling screws (provided) through the T-Bar brackets (provided) into the T-Bar.




Reinstall diffuser and turn power on to luminaire. **NOTE:** If part of a longer run, diffuser will be reinstalled back into original luminaire section as lengths vary.

Note: All power connections to be installed to local/national codes by a Certified Electrician.

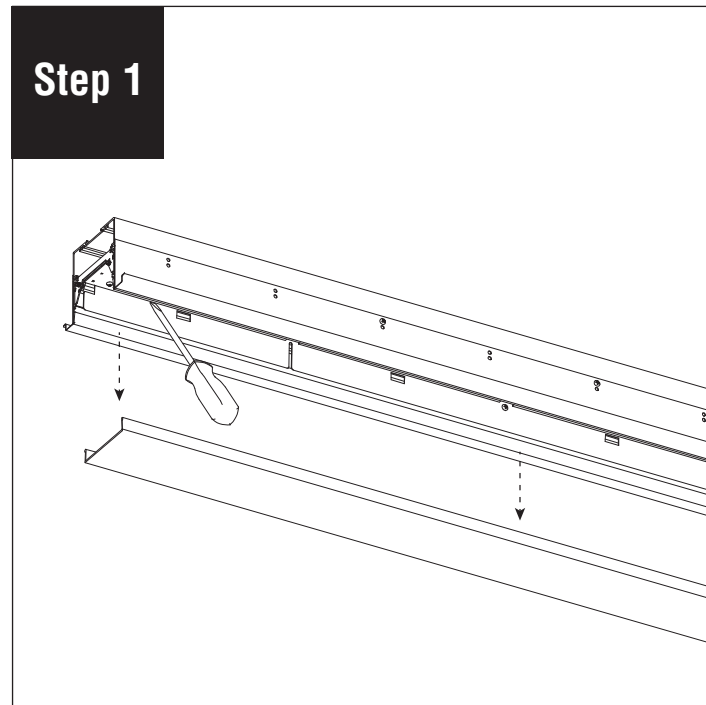
HP-4 Recessed with Regressed Diffuser Tech Zone 6" Joiner/Ender

Installation Instructions

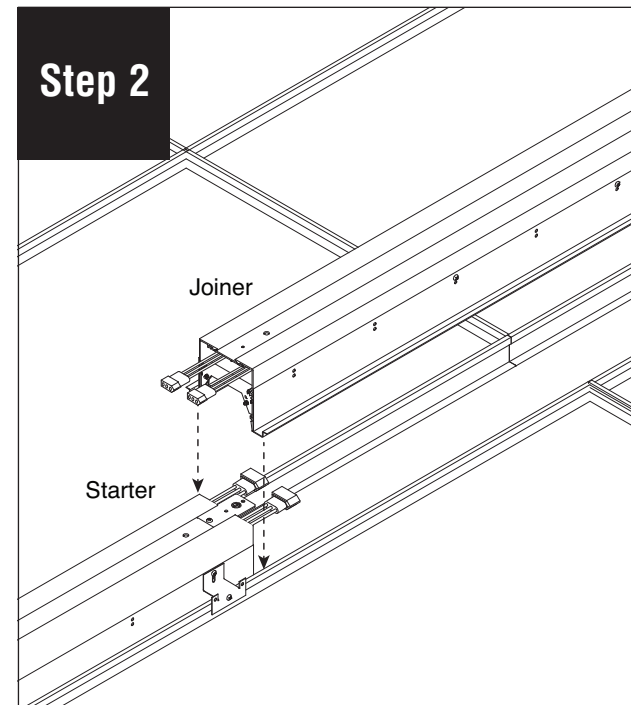
Scan QR code for helpful video(s)



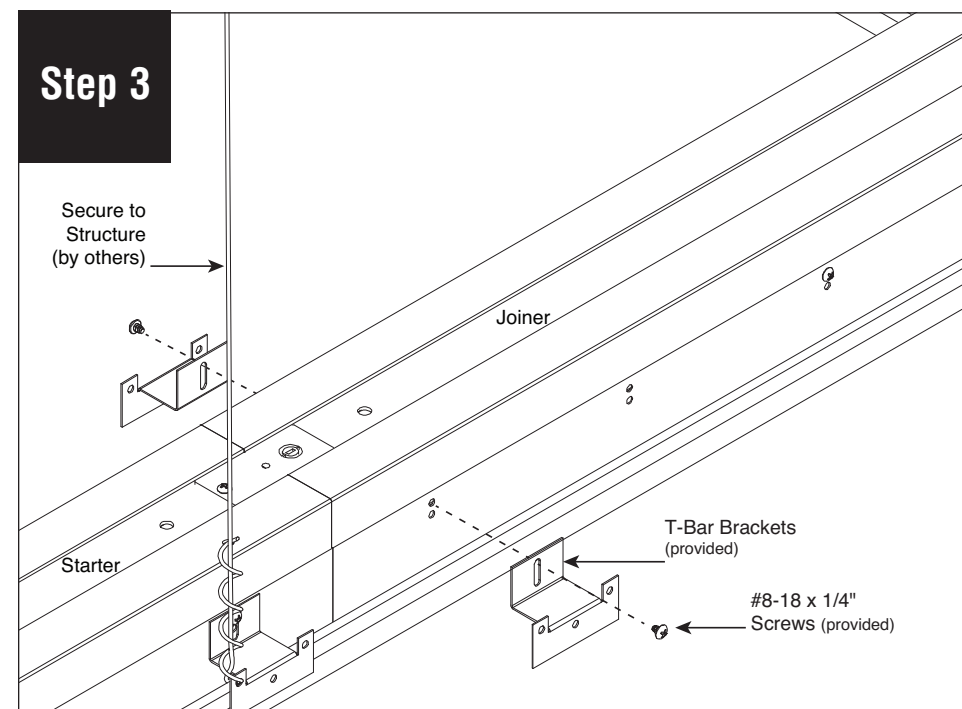
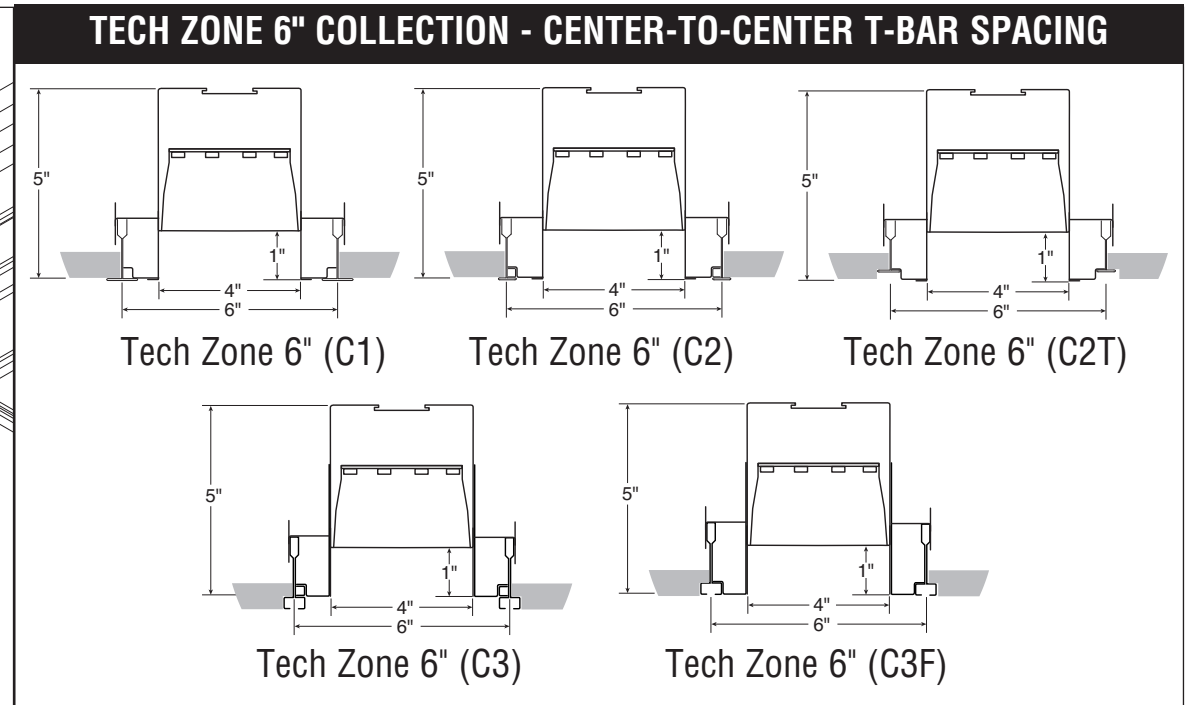
0 - 10V Dimming



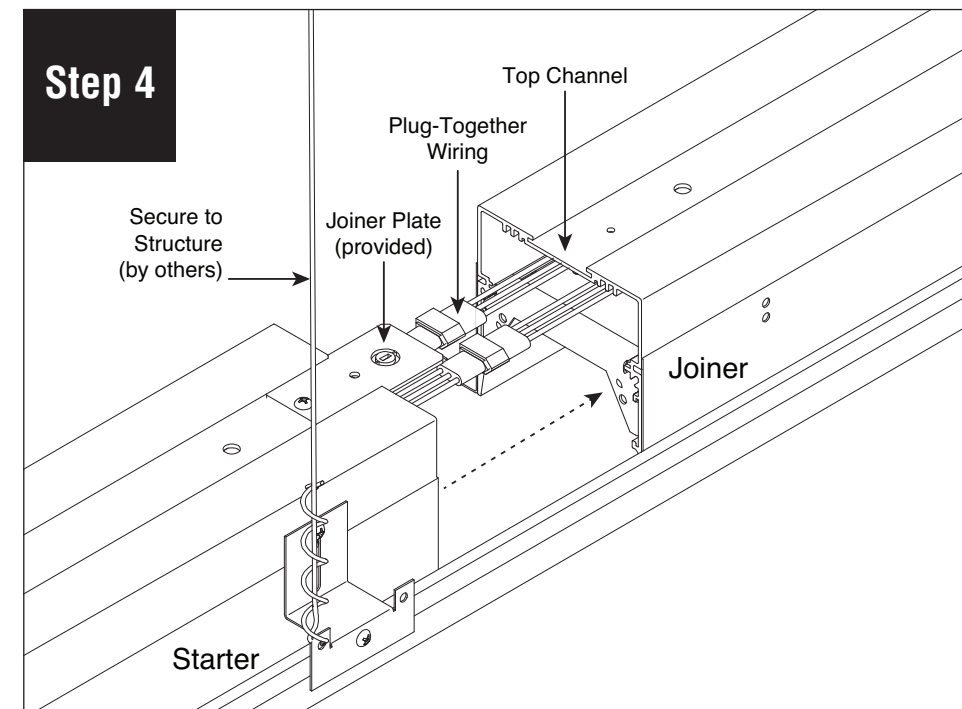
Remove diffuser and set aside to prevent it from getting dirty or damaged. **NOTE:** If part of a longer run, diffuser will be reinstalled back into original luminaire section as lengths vary.



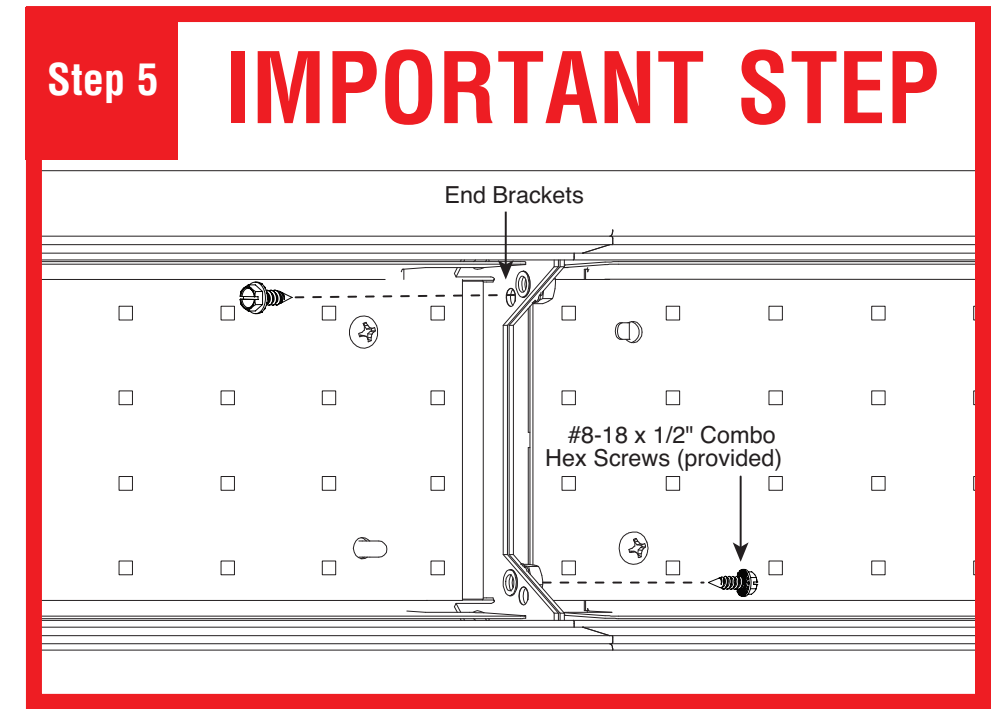
Place joiner/ender luminaire on ceiling grid next to starter.



Install T-Bar bracket onto luminaire. Secure with #8-18 x 1/4" screws (provided). Secure luminaire to building structure using tie-wire, as per code.



Connect plug-together wiring and align joiner with joiner plate. Carefully slide starter and joiner together.

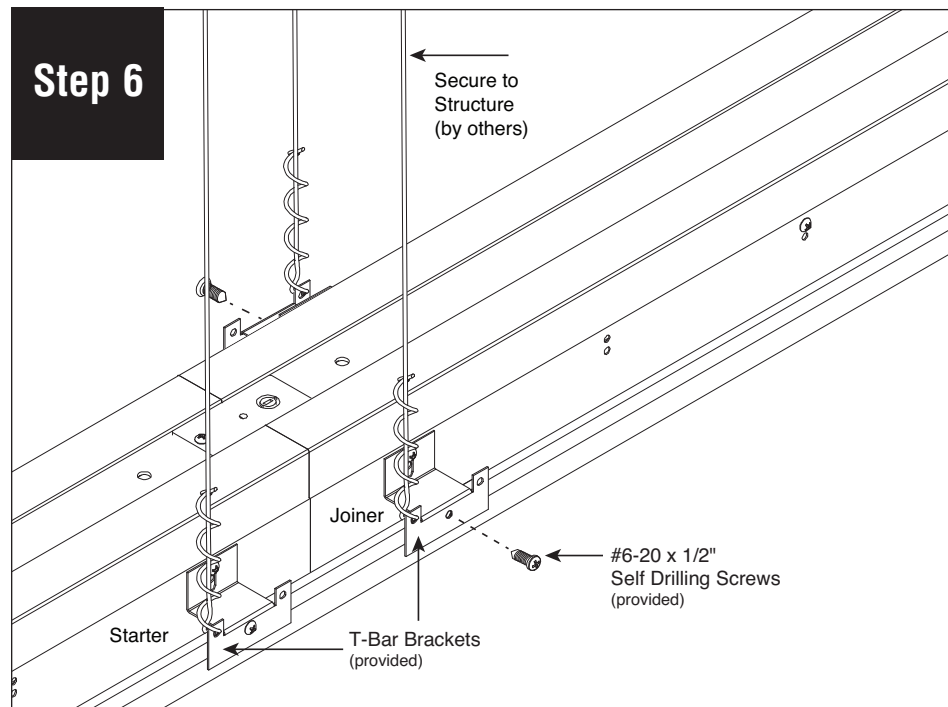


IMPORTANT STEP: Install the two #8-18 x 1/2" combo hex screws (provided) into end bracket as shown. Screws can be installed from the left or right. When installed correctly these hex screws will pull luminaires together to make a tight joint.

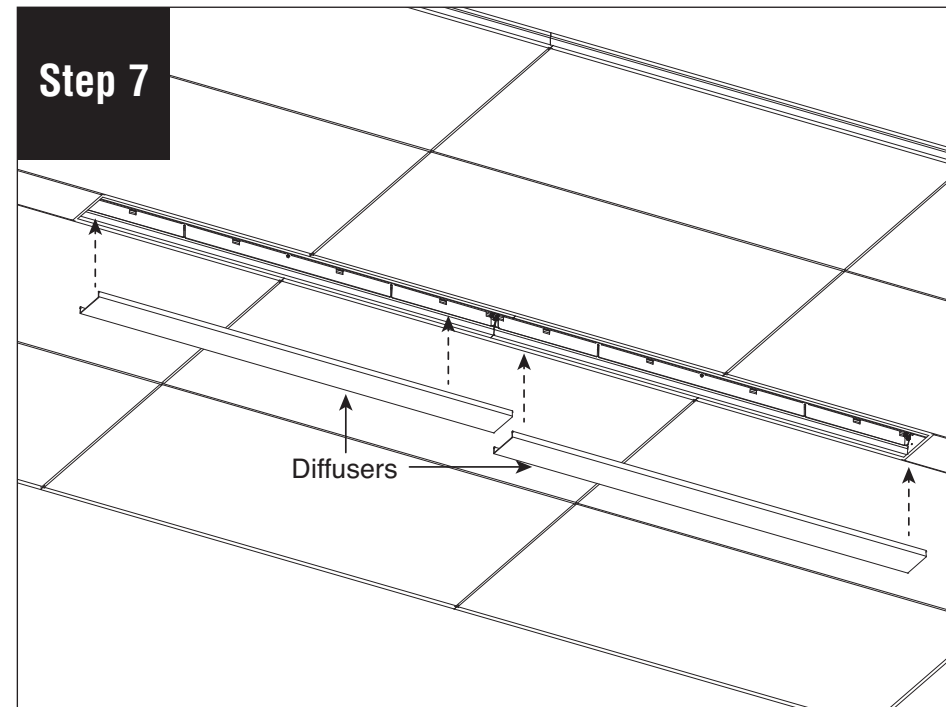
CAUTION: Do not over-tighten.

Note: All power connections to be installed to local/national codes by a Certified Electrician.

HP-4 Recessed with Regressed Diffuser Tech Zone 6" Joiner/Ender Installation Instructions



Secure luminaire to T-Bar by driving #6-20 x 1/2" self drilling screws (provided) through the T-Bar brackets (provided) into the T-Bar.



Reinstall diffuser and turn power on to luminaire. **NOTE:** If part of a longer run, diffuser will be reinstalled back into original luminaire section as lengths vary.