
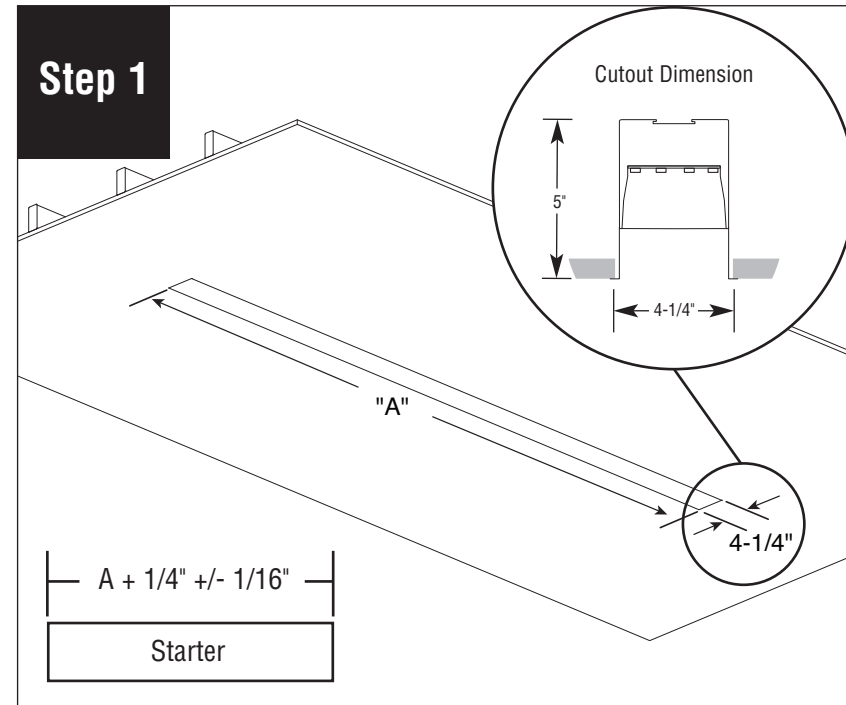


HP-4 Recessed with Regressed Visible Flange Starter/Independent Installation Instructions

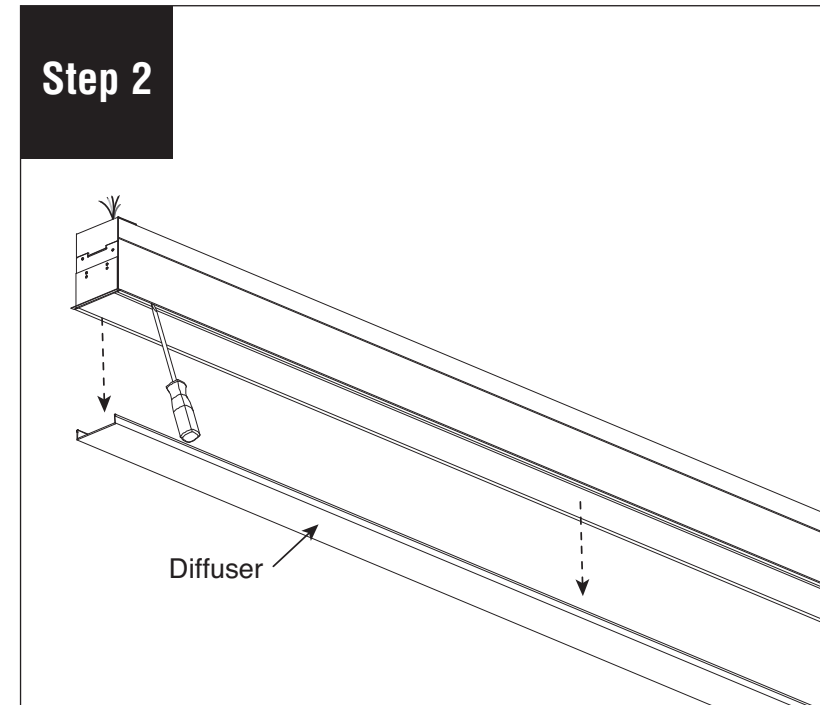
Scan QR code for helpful video(s)



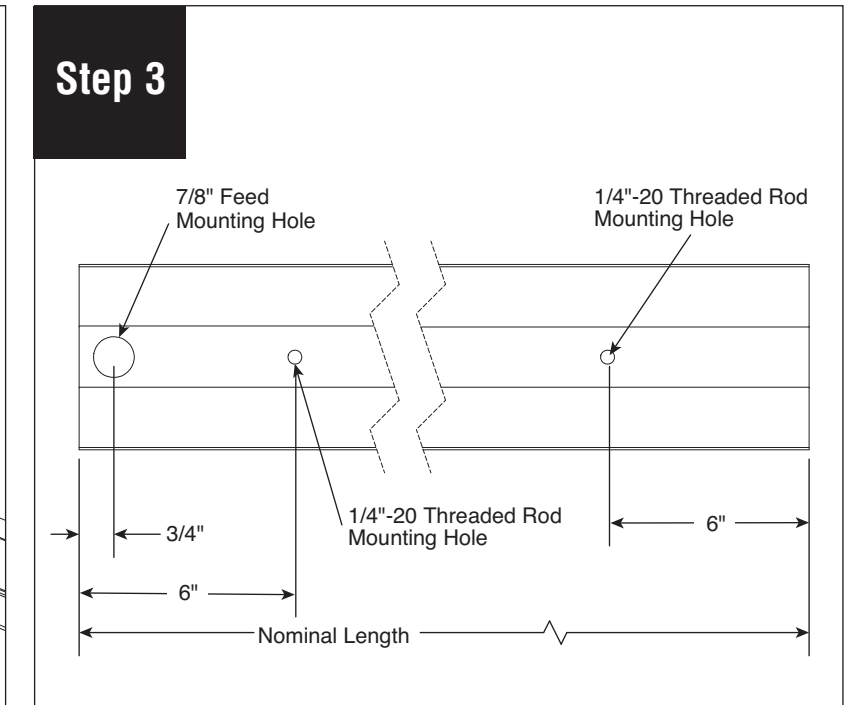
0 - 10V Dimming



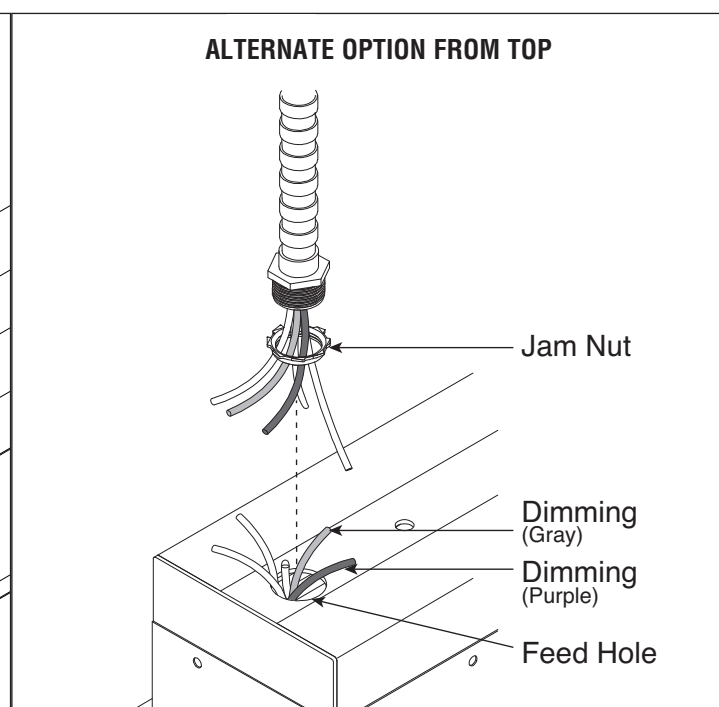
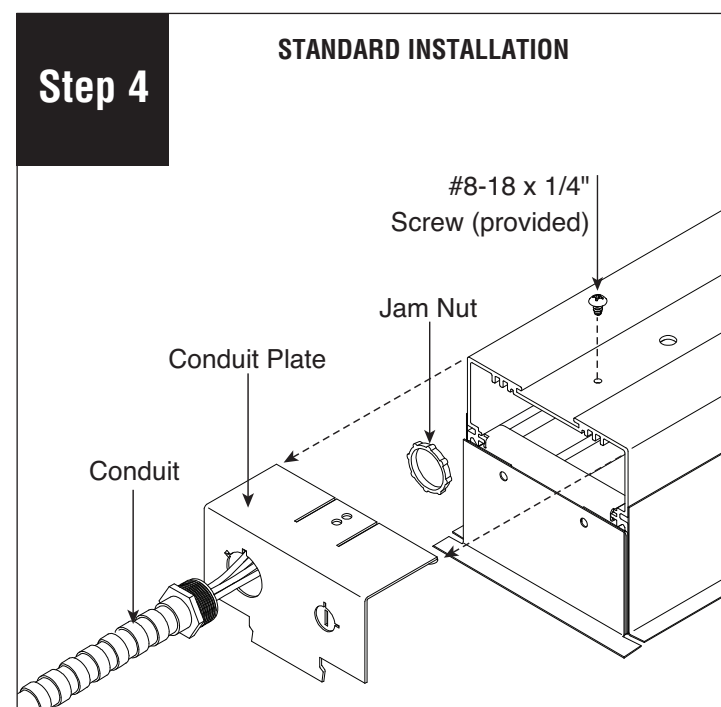
Add 1/4" to body/row length (A), +/- 1/16" to simplify installation. Luminaire installed next to support blocking.



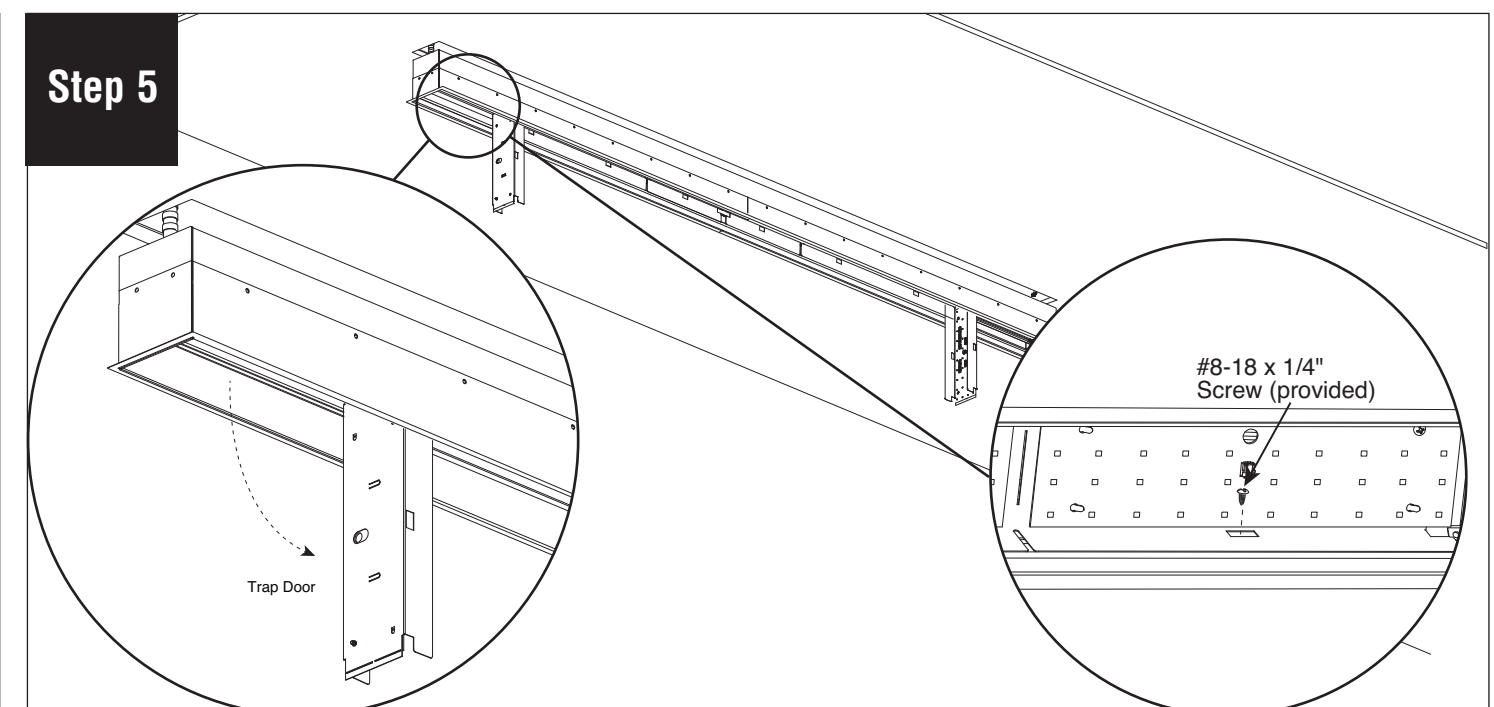
Remove diffuser and set aside to prevent from getting dirty or damaged.



Refer to threads and feed hole locations above before connecting luminaire wires.



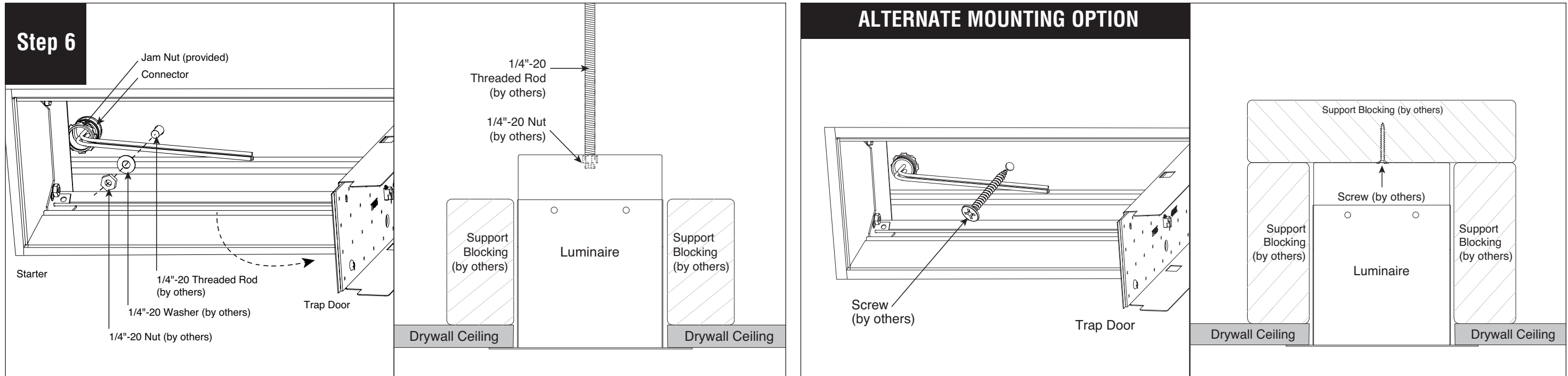
Remove jam nut from conduit then insert wires and connector through feed hole. **NOTE:** Purple and gray wires are for Low Voltage Control.



Remove #8-18 x 1/4" screw (provided) to open trap door and then insert luminaire into ceiling. Align luminaire within rough opening in drywall and 1/4"-20 threaded rod (by others).

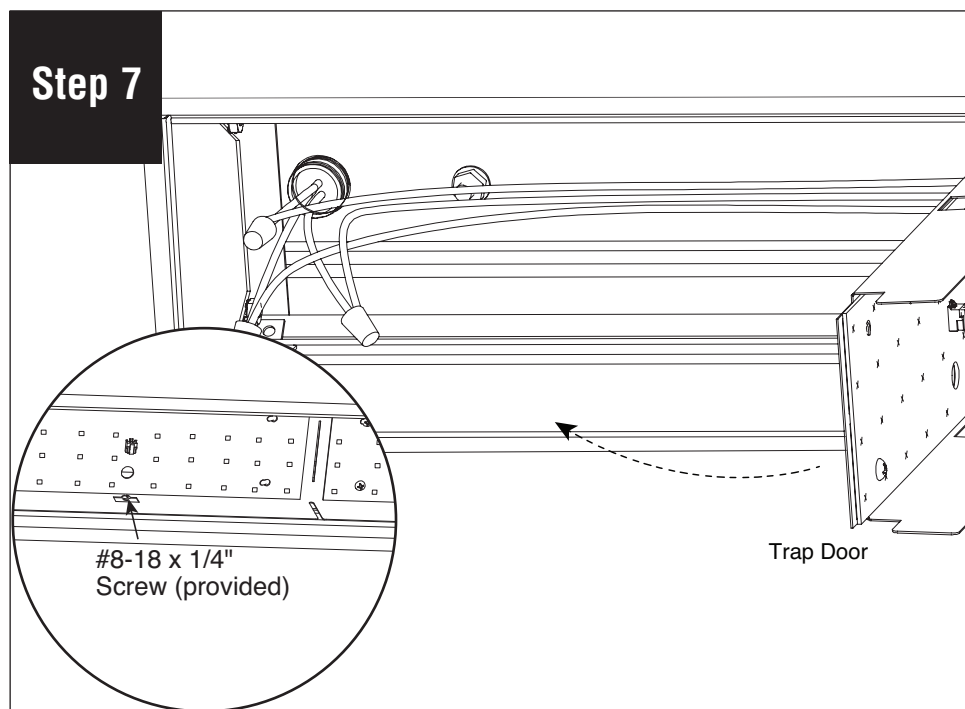
Note: All power connections to be installed to local/national codes by a Certified Electrician.

HP-4 Recessed with Regressed Visible Flange Starter/Independent Installation Instructions

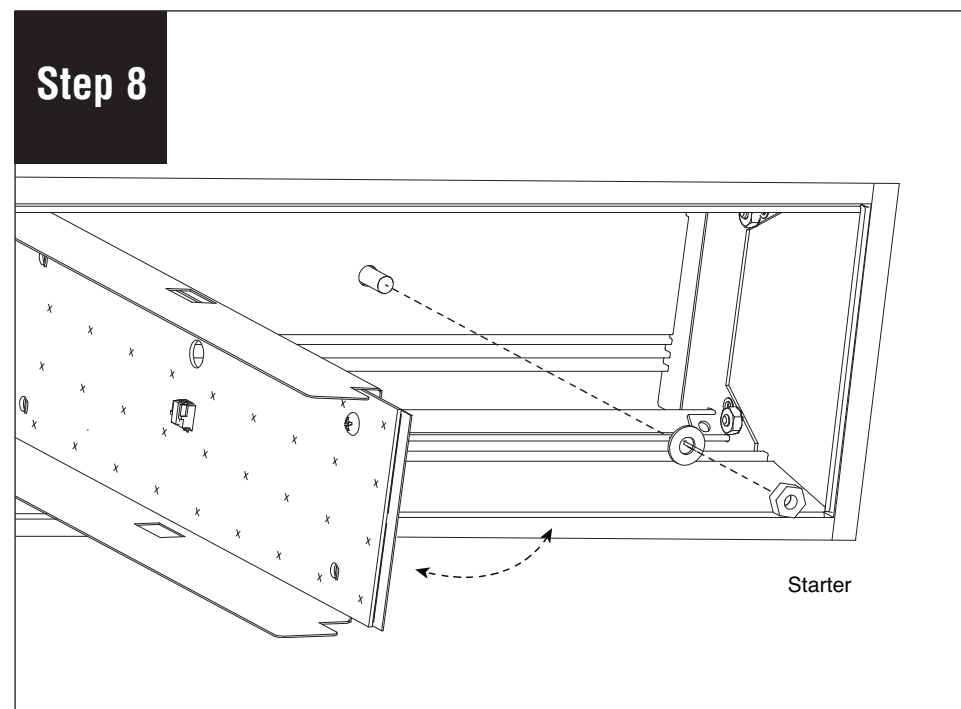


Secure to structure by installing 1/4" washers (by others) and 1/4"-20 nuts (by others) onto 1/4"-20 threaded rod (by others).

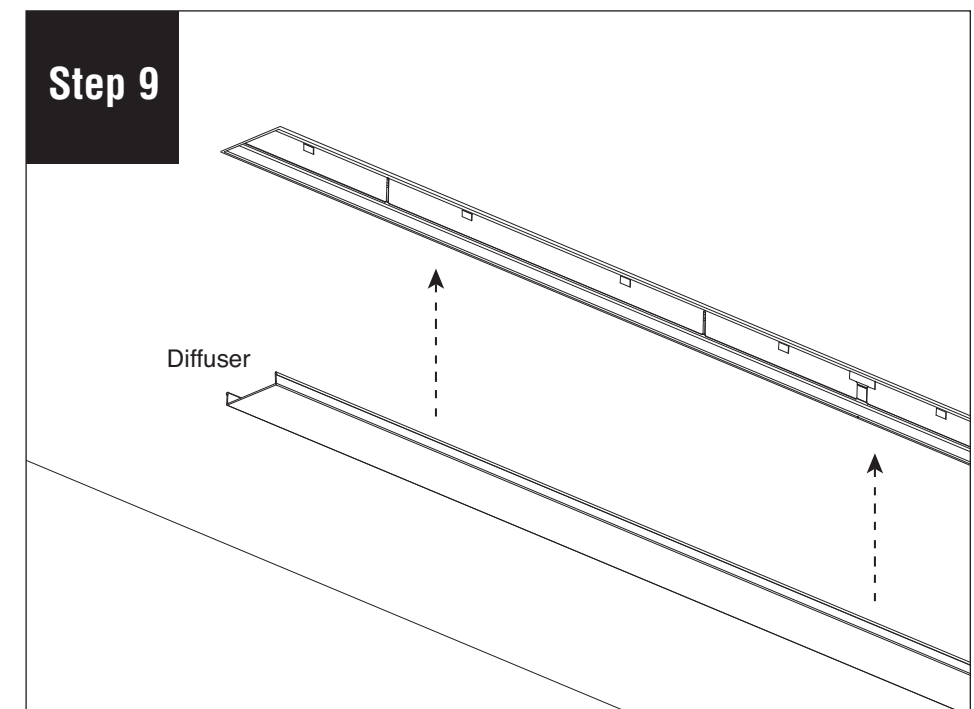
ALTERNATE MOUNTING OPTION: Install screw (by others) through mounting hole into proper structurally supported blocking (by others).



Make wire connections and secure trap door with #8-18 x 1/4" screw (provided).



On opposite end of luminaire, fold trap door down. Install 1/4"-20 nut and 1/4" washer onto 1/4"-20 threaded rod (by others) or use ALTERNATE MOUNTING OPTION in step 6. Replace trap door and fasten with #8-18 x 1/4" screws (provided).




Reinstall diffuser and turn power on. **NOTE:** If part of a longer run, diffuser will be reinstalled back into original luminaire section as lengths vary.

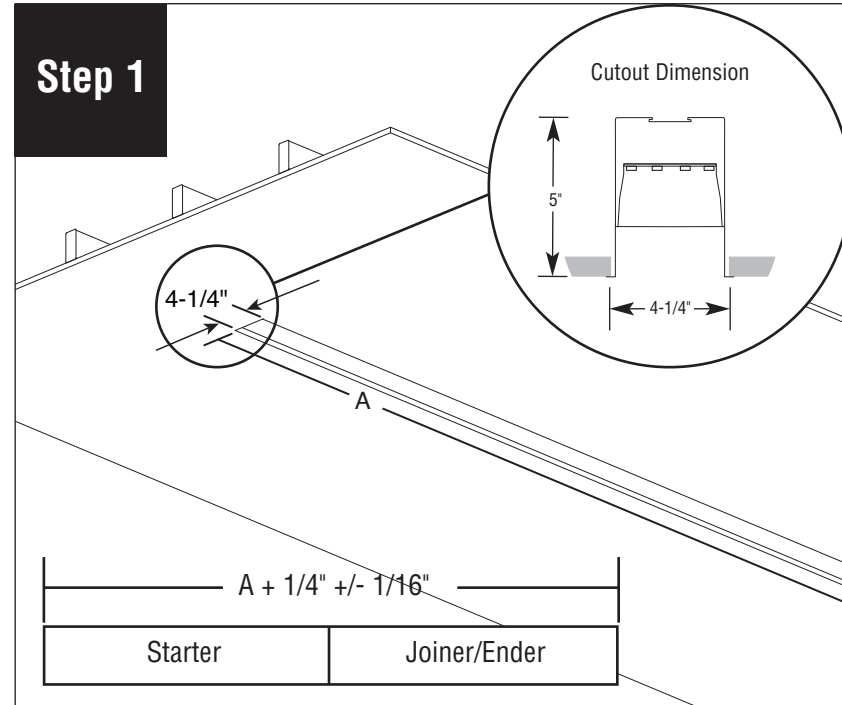
Note: All power connections to be installed to local/national codes by a Certified Electrician.

HP-4 Recessed with Regressed Diffuser Visible Flange Joiner/Ender Installation Instructions

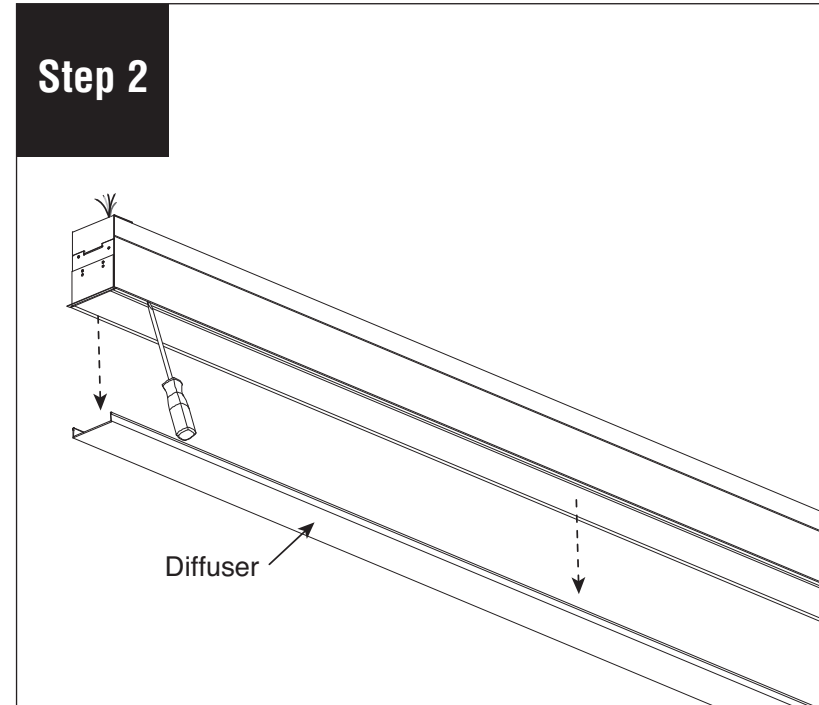
Scan QR code for helpful video(s)



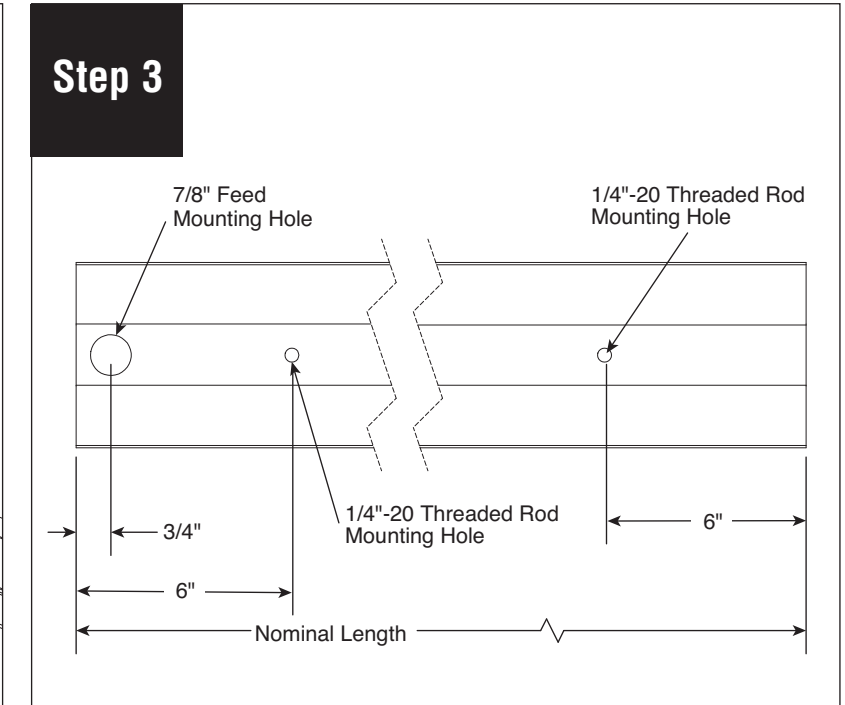
0 - 10V Dimming



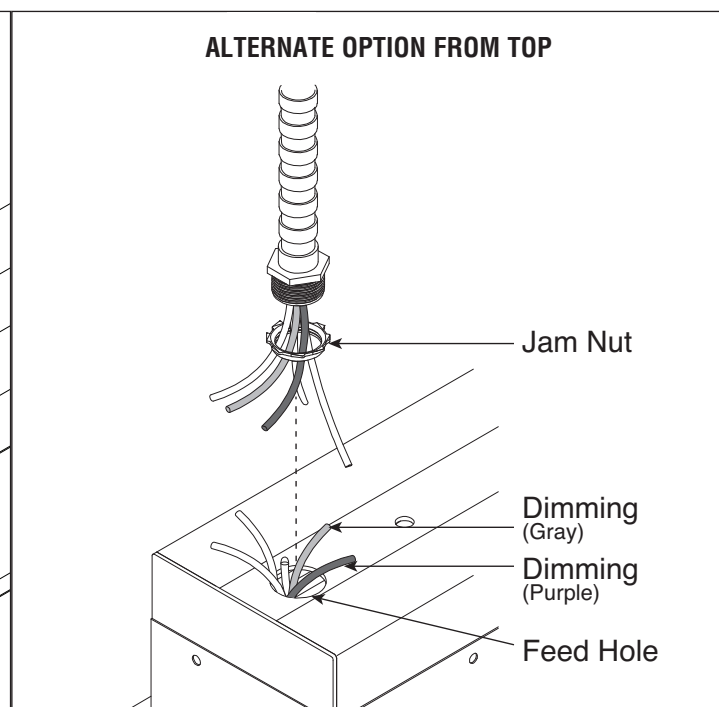
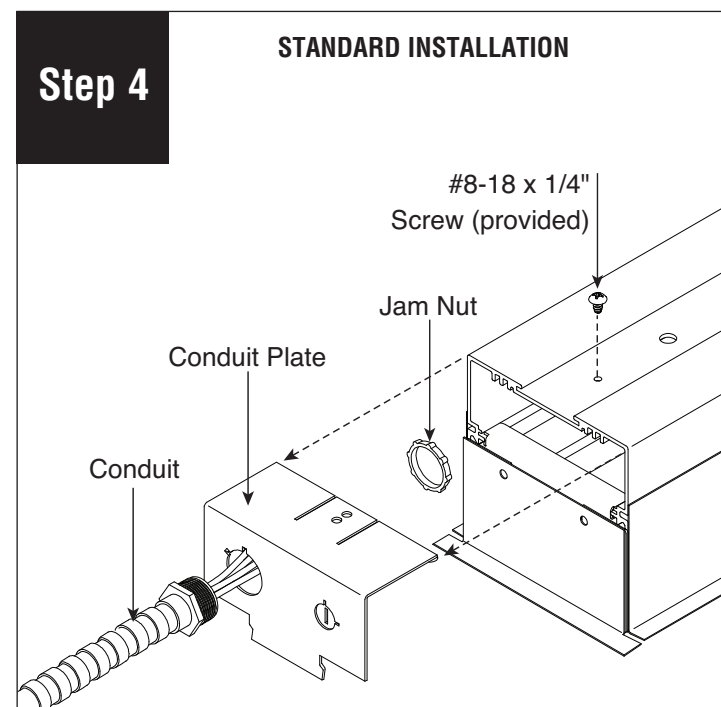
Add 1/4" to body/row length (A), +/- 1/16" to simplify installation. Luminaire needs to be installed next to support blocking.



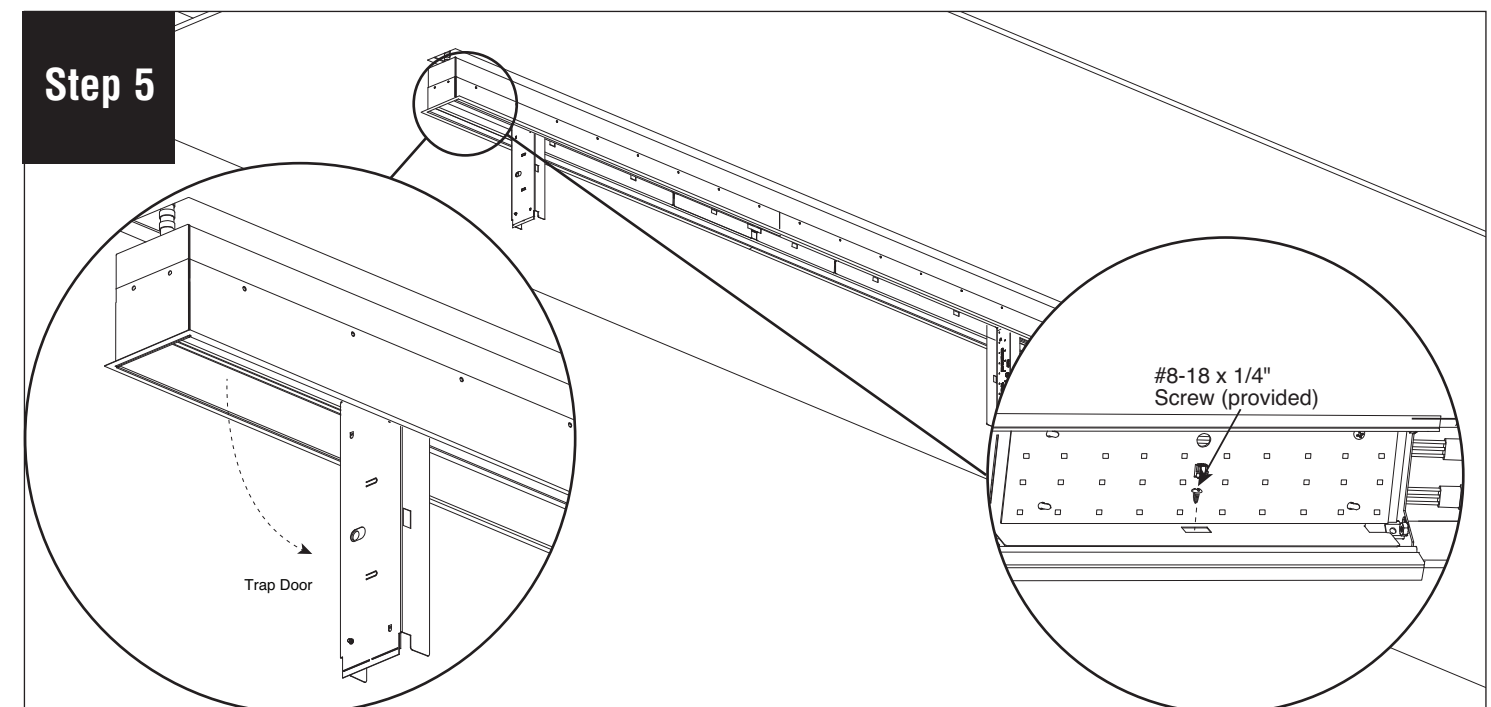
Remove diffuser and set aside to prevent from getting dirty or damaged. **NOTE:** If part of a longer run, diffuser will be reinstalled back into original luminaire section as lengths vary.



Refer to threads and feed hole locations above before connecting luminaire wires.



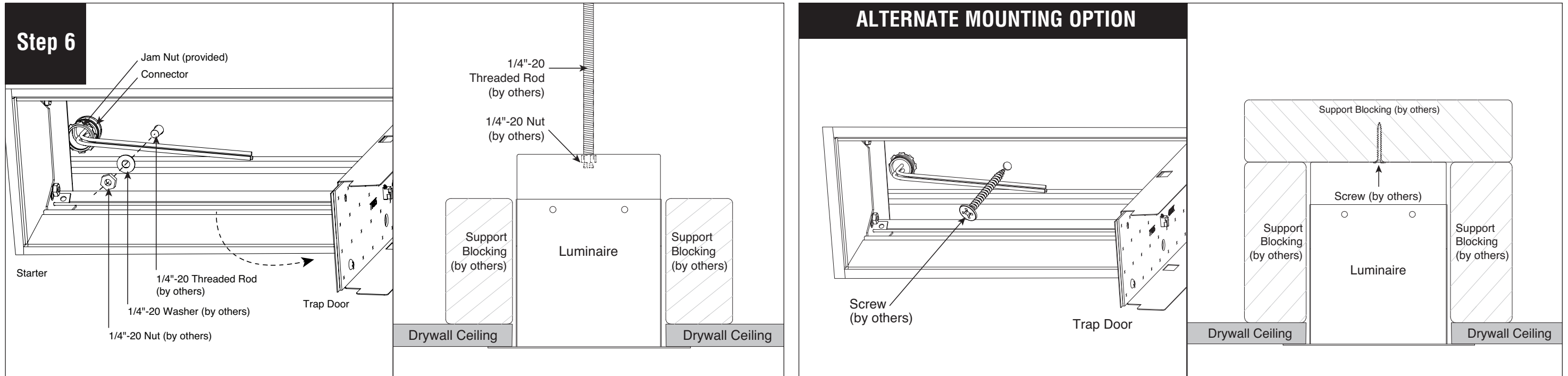
Remove jam nut from conduit then insert wires and connector through feed hole.



Remove #8-18 x 1/4" screw (provided) to open trap door and then insert luminaire into ceiling. Align luminaire within rough opening in drywall and 1/4"-20 threaded rod (by others).

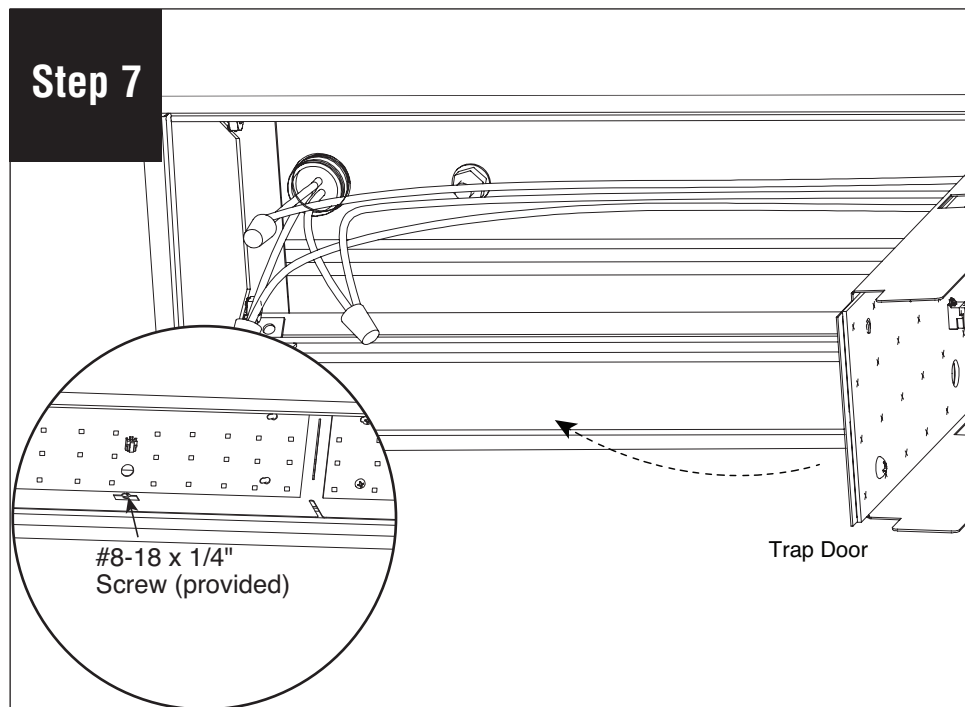
Note: All power connections to be installed to local/national codes by a Certified Electrician.

HP-4 Recessed with Regressed Diffuser Visible Flange Joiner/Ender Installation Instructions

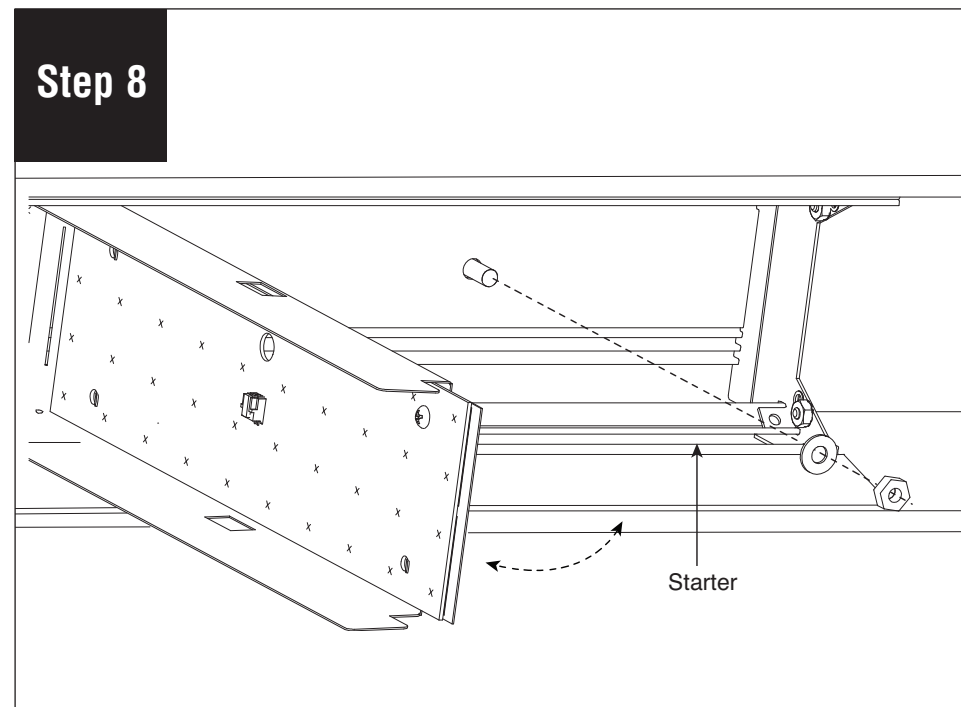


Secure to structure by installing 1/4" washers (by others) and 1/4"-20 nuts (by others) onto 1/4"-20 threaded rod (by others).

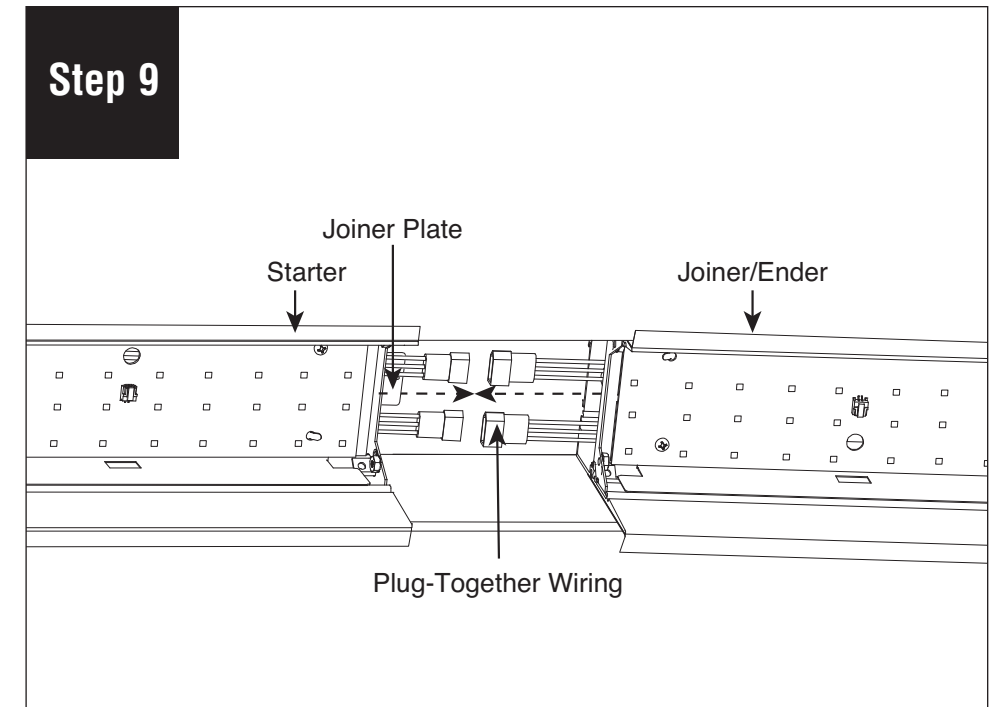
ALTERNATE MOUNTING OPTION: Install screw (by others) through mounting hole into proper structurally supported blocking (by others).



Make wire connections and secure trap door with #8-18 x 1/4" screw (provided).



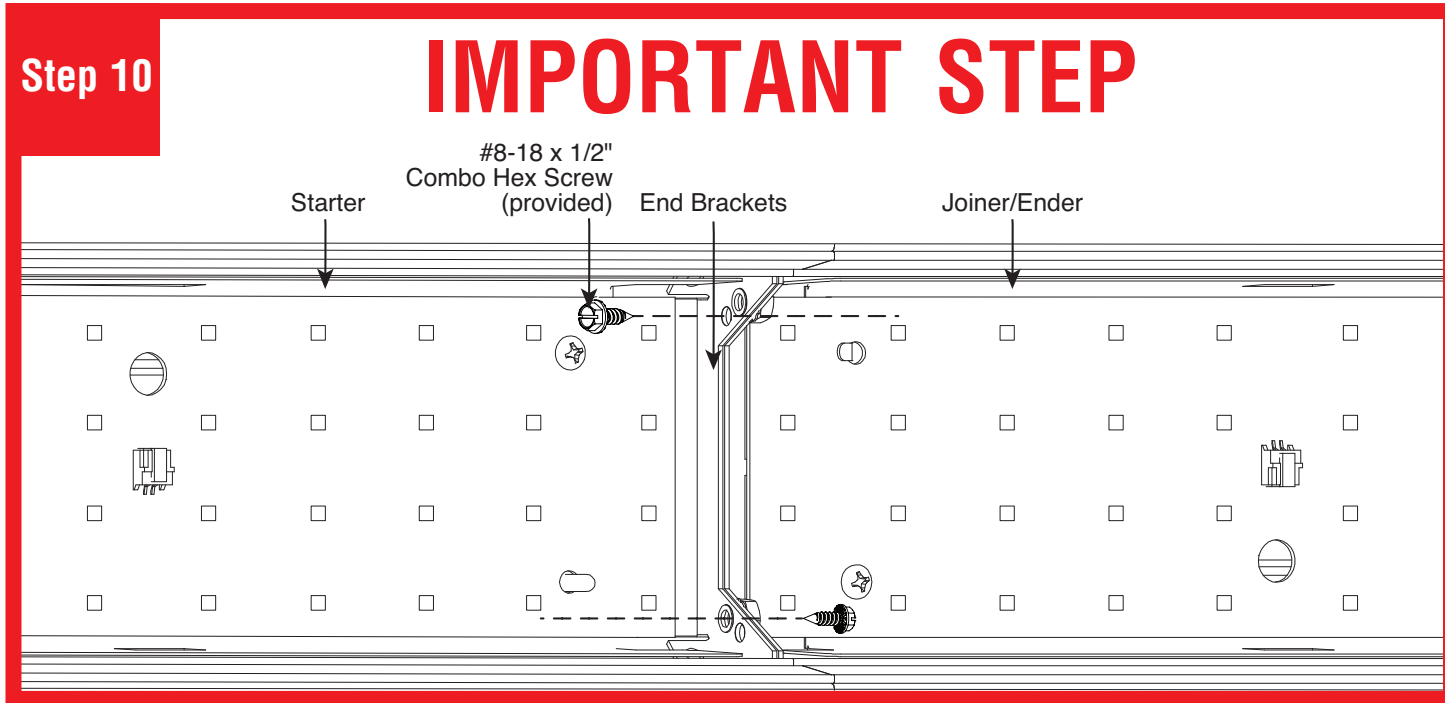
On opposite end of luminaire, fold trap door down. Install 1/4"-20 nut (by others) and 1/4" washer (by others) onto 1/4"-20 threaded rod (by others) or use ALTERNATE MOUNTING OPTION in step 6. Replace trap door and fasten with #8-18 x 1/4" screws (provided).



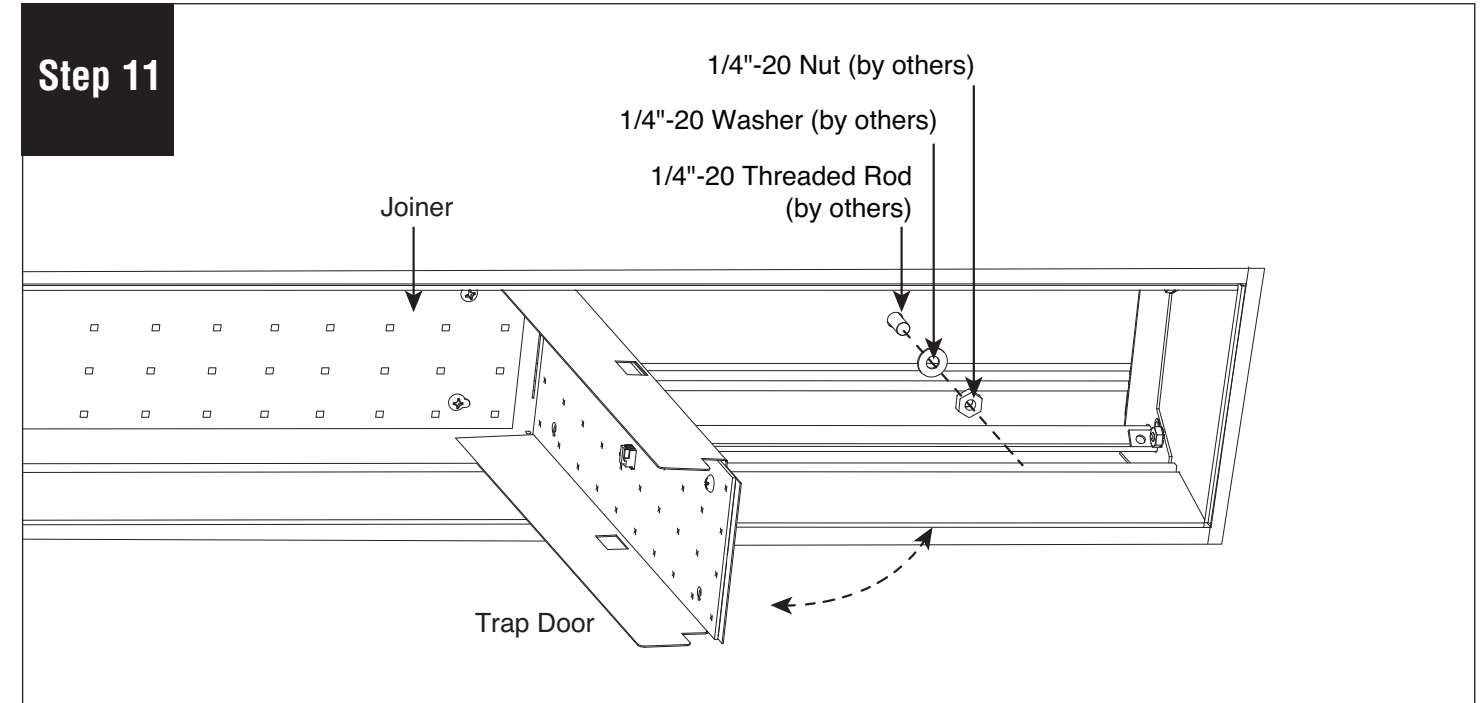
Connect plug-together wiring. Slide joiner luminaire against starter luminaire. Be careful not to damage any wiring.

Note: All power connections to be installed to local/national codes by a Certified Electrician.

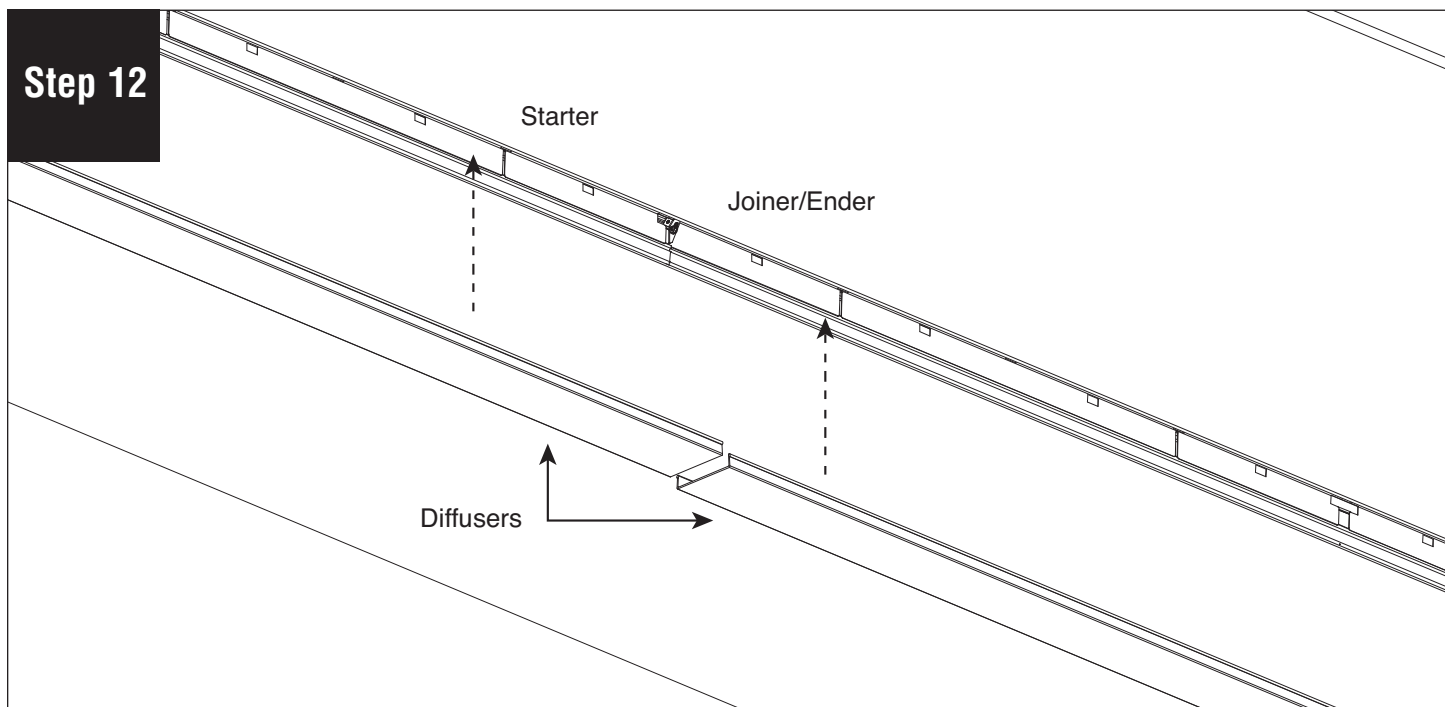
HP-4 Recessed with Regressed Diffuser Visible Flange Joiner/Ender Installation Instructions



IMPORTANT STEP: Install the two #8-18 x 1/2" combo hex screws (provided) into end bracket as shown. Screws can be installed from the left or right. **CAUTION: Do not over-tighten.**



On opposite end of luminaire, fold trap door down. Install 1/4" washer (by others) and 1/4"-20 nut (by others) onto 1/4"-20 threaded rod (by others) or use ALTERNATE MOUNTING OPTION in step 6. Replace trap door and fasten with #8-18 x 1/4"



Reinstall diffusers to starter and joiner/enders and turn power on to luminaire. **NOTE:** If part of a longer run, diffuser will be reinstalled back into original luminaire section as lengths vary.

Note: All power connections to be installed to local/national codes by a Certified Electrician.