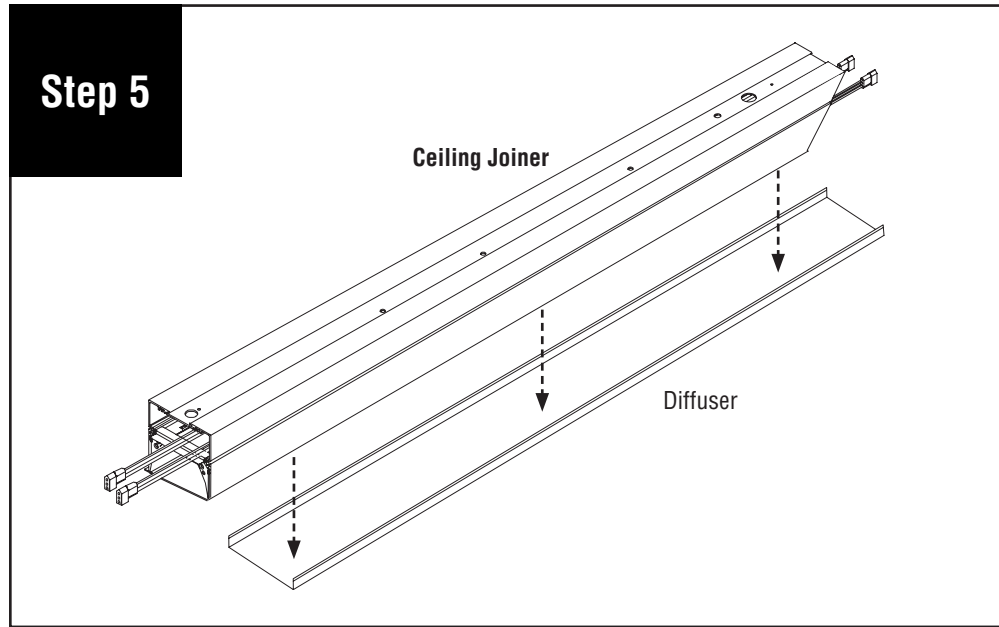
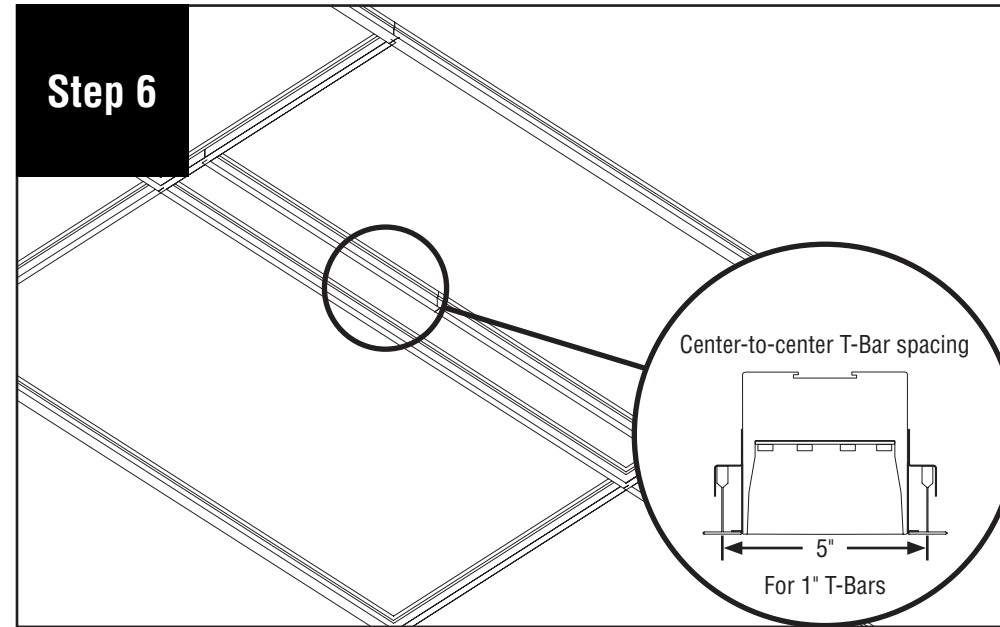


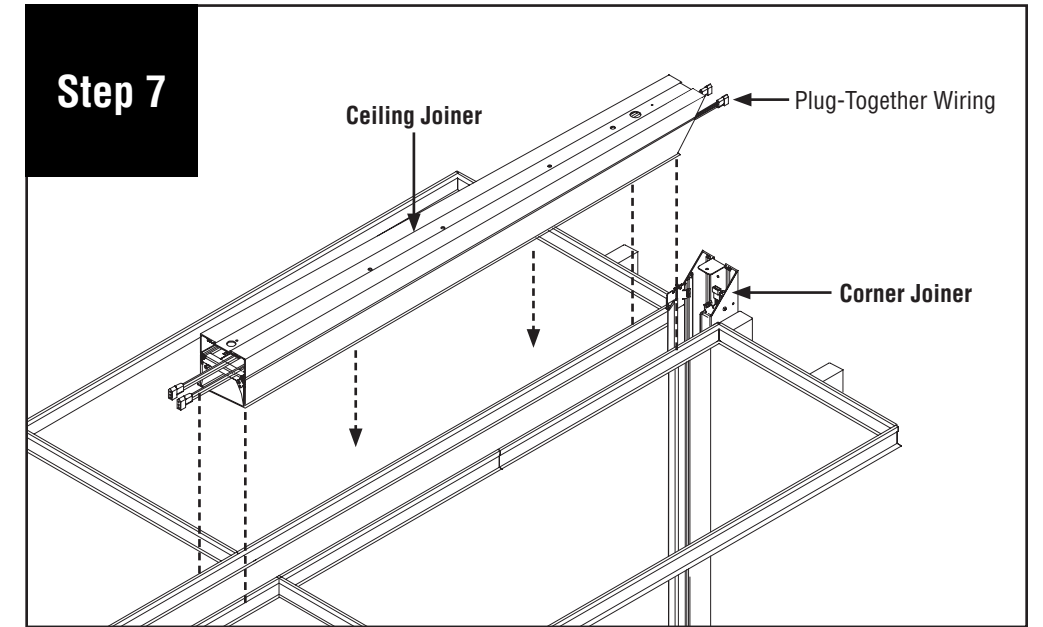
HP-4 Recessed 1" T-Bar to Visible Flange Installation Instructions



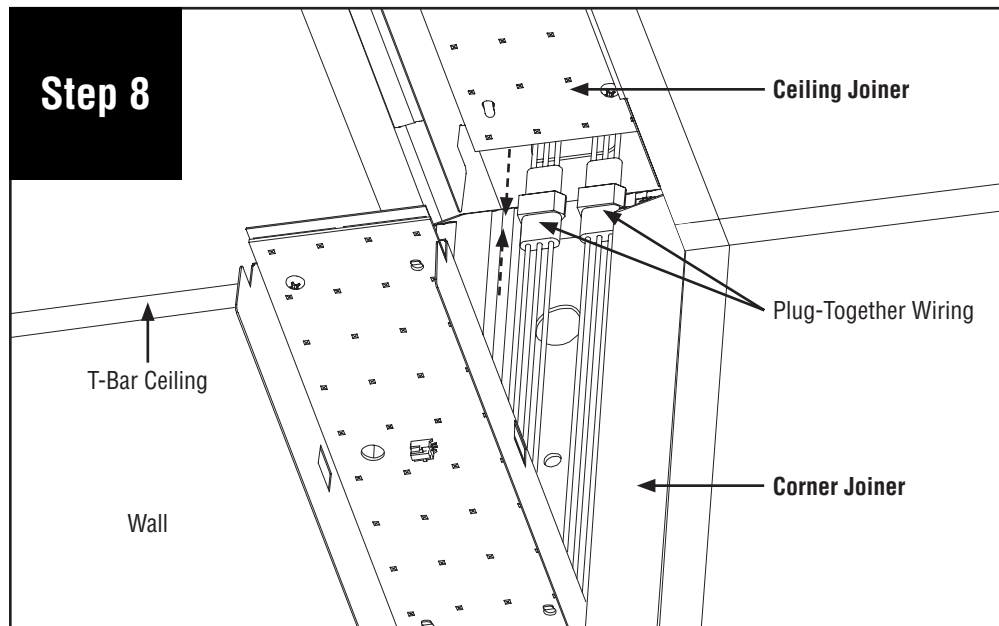
Remove diffuser from recessed 1" T-Bar joiner luminaire and set aside to prevent it from getting dirty or damaged. **NOTE:** If part of a longer run, diffuser will be reinstalled back into original luminaire section as lengths vary.



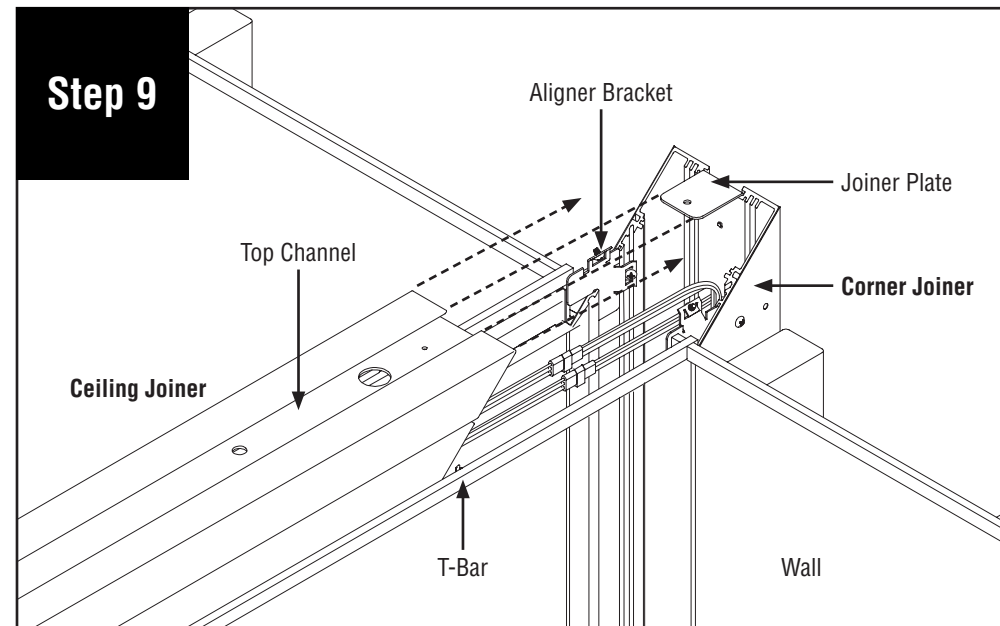
Configure T-Bar to luminaire size and leave an opening for luminaire. As noted above.



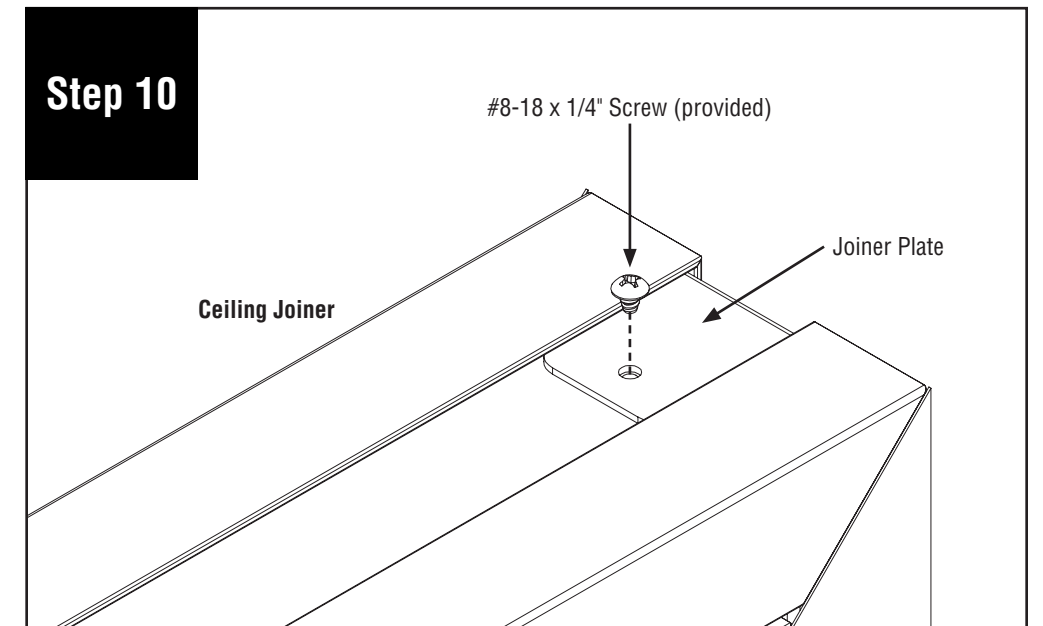
Place ceiling joiner luminaire on T-Bar.



Connect plug-together wiring.



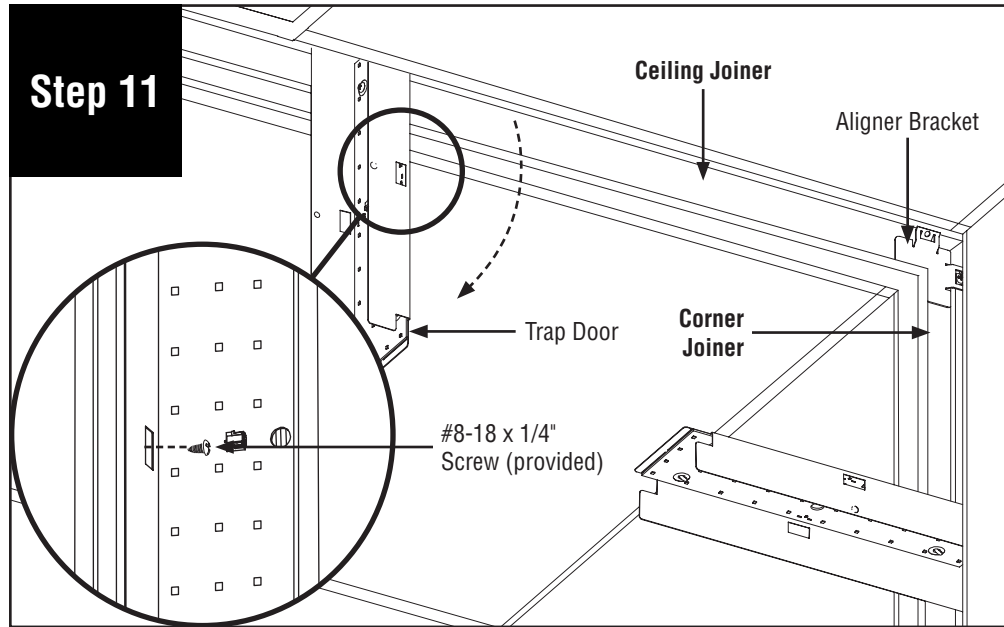
Slide ceiling joiner towards corner joiner. Align joiner plate with top channel.



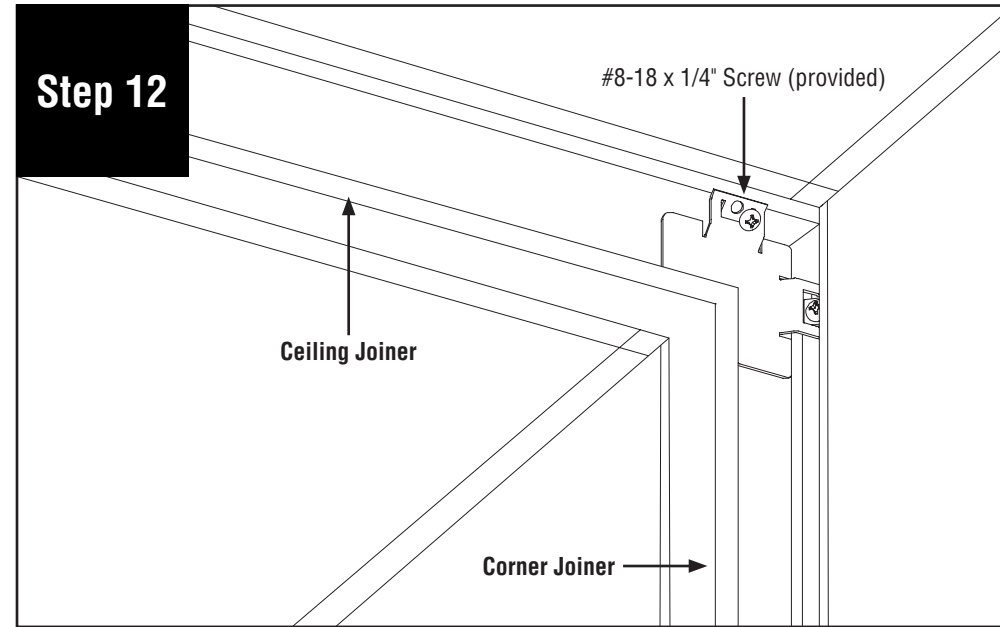
Install #8-18 x 1/4" screw (provided) onto joiner plate.

Note: All power connections to be installed to local/national codes by a Certified Electrician.

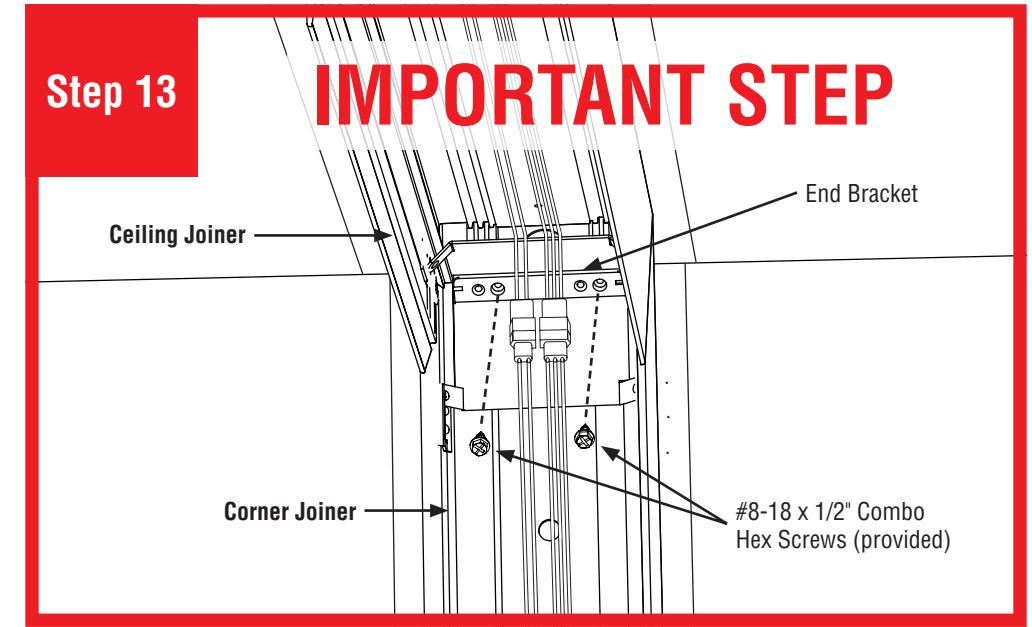
HP-4 Recessed 1" T-Bar to Visible Flange Installation Instructions



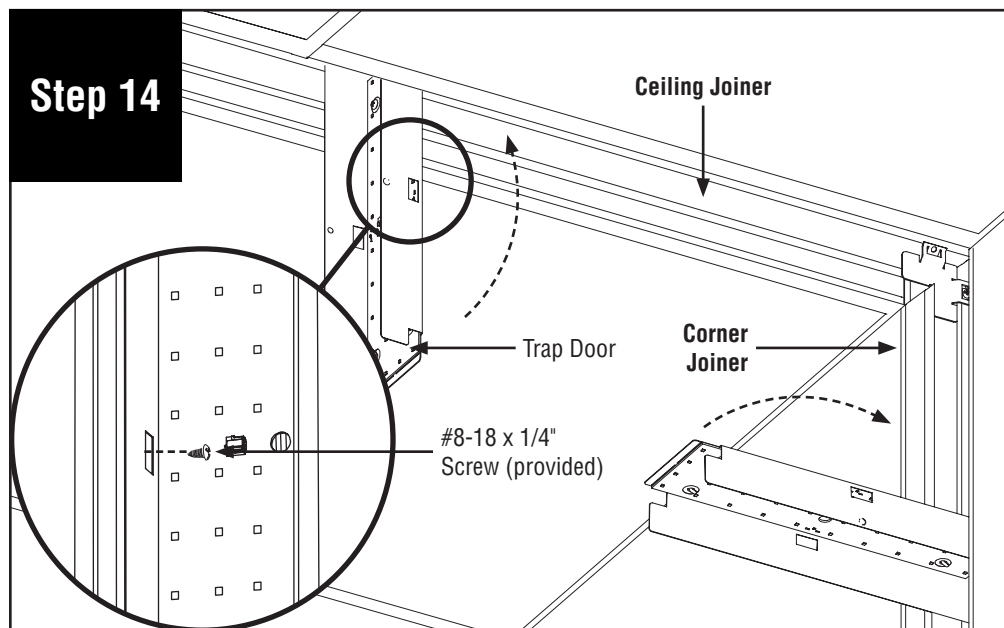
Remove #8-18 x 1/4" screw (provided) to open ceiling joiner trap door.



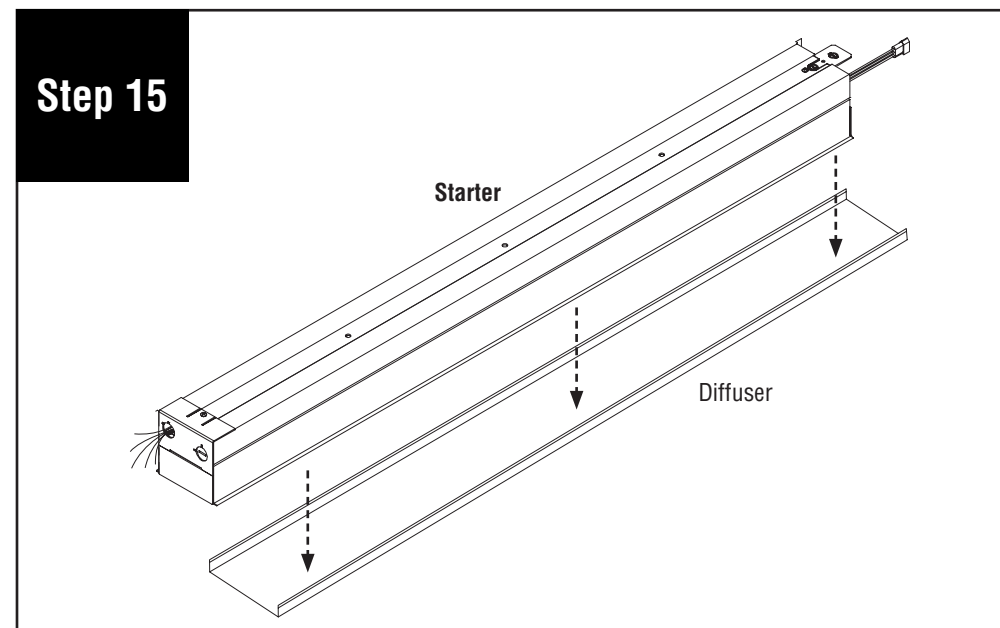
Install #8-18 x 1/4" screw (provided) into aligner brackets.



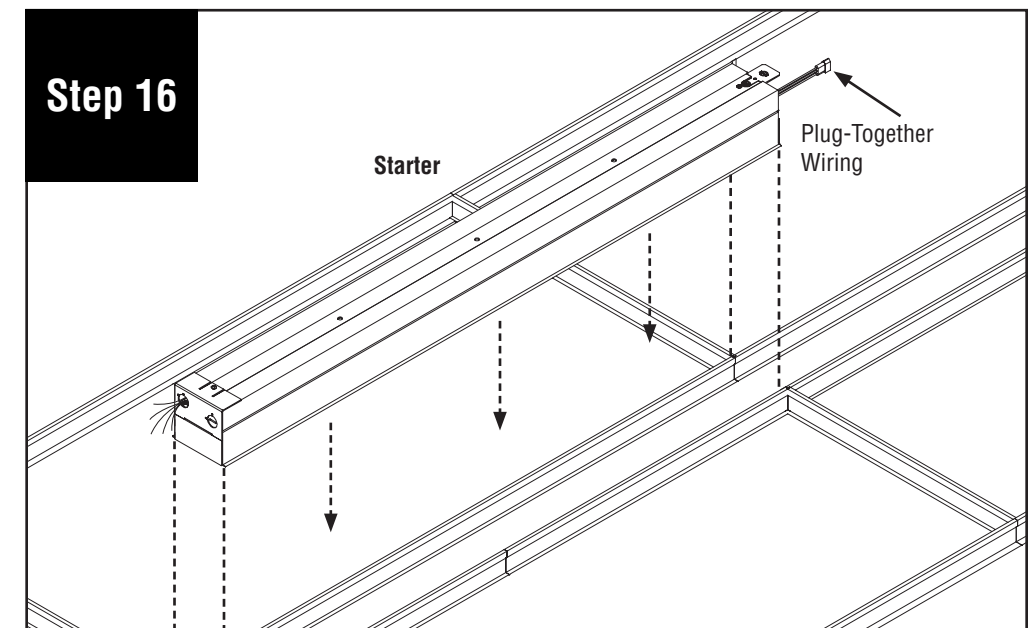
IMPORTANT STEP: Install 2 #8-18 x 1/2" combo hex screws (provided) into end bracket as shown. Screws can be installed from the left or right. **CAUTION: Do not over-tighten.**



Close trap doors and fasten with #8-18 x 1/4" screws (provided).



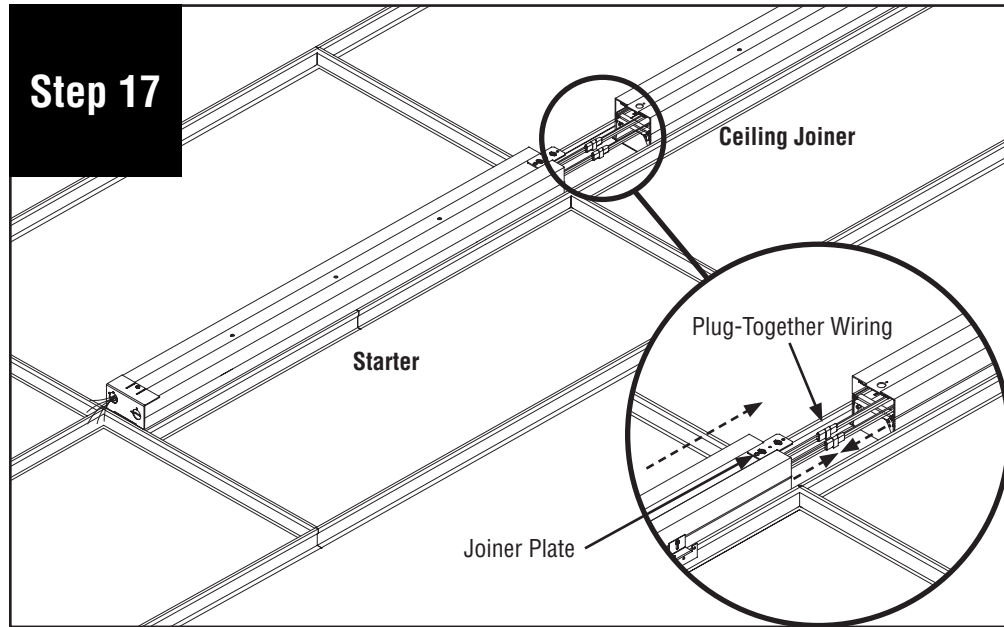
Remove diffuser from starter and set aside to prevent it from getting dirty or damaged.
NOTE: If part of a longer run, diffuser will be reinstalled back into original luminaire section as lengths vary.



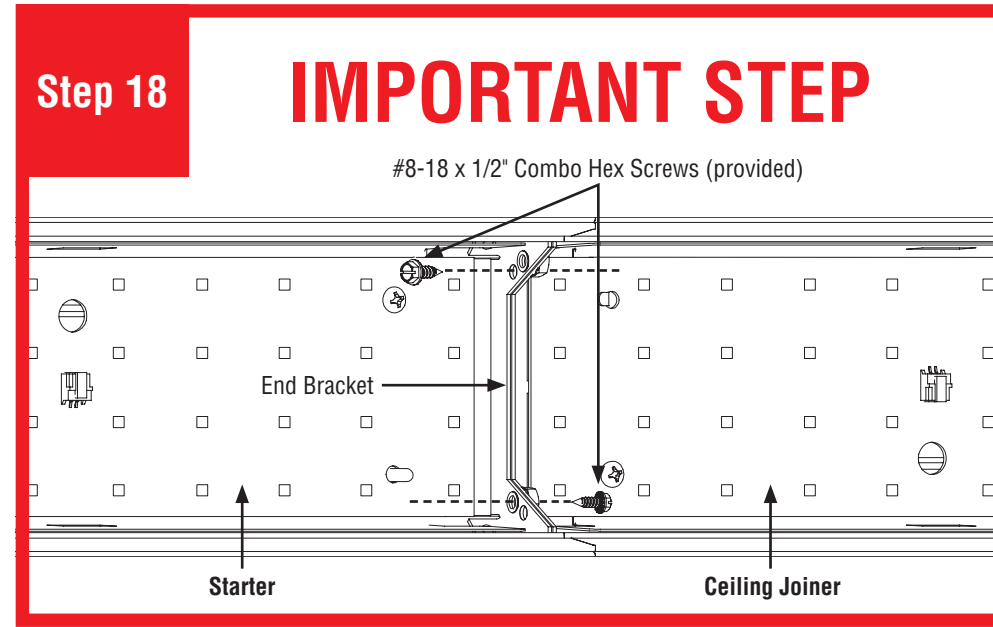
Place starter luminaire on T-Bar.

Note: All power connections to be installed to local/national codes by a Certified Electrician.

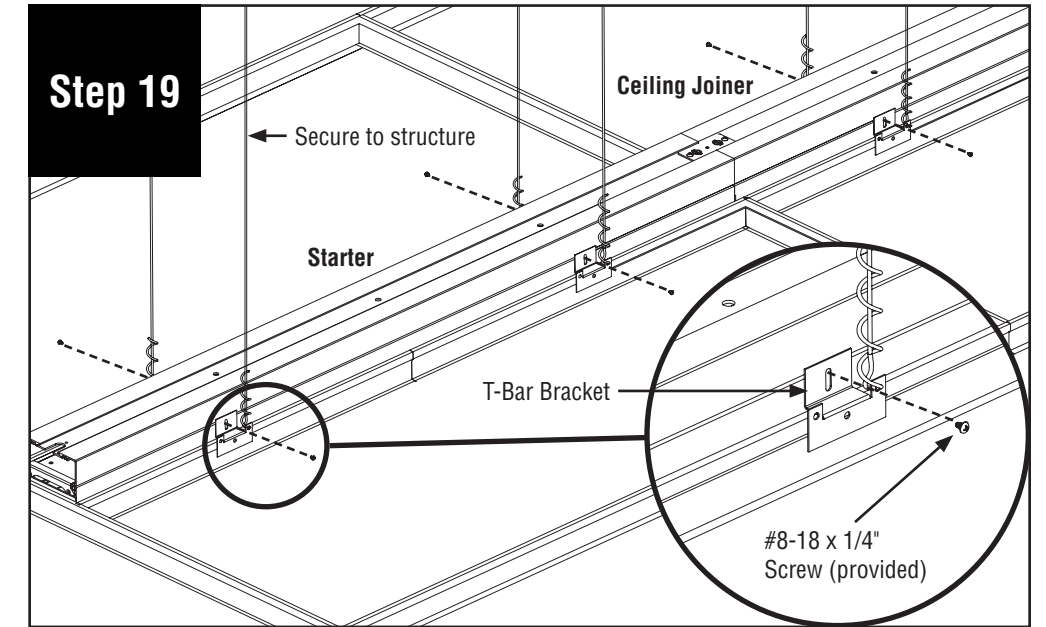
HP-4 Recessed 1" T-Bar to Visible Flange Installation Instructions



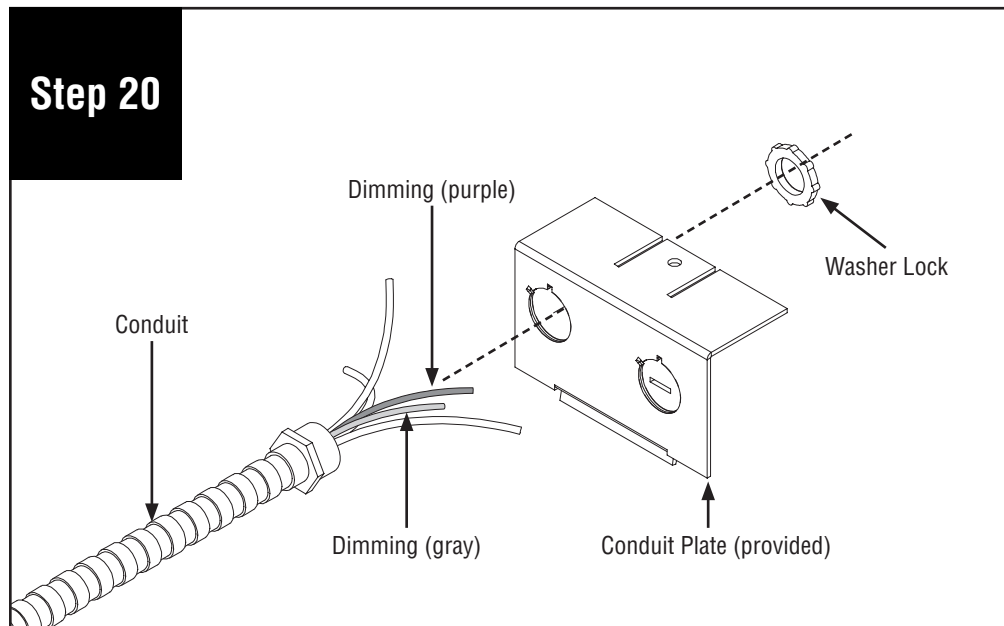
Connect plug-together wiring and align ceiling joiner with joiner plate and carefully slide starter and ceiling joiner together.



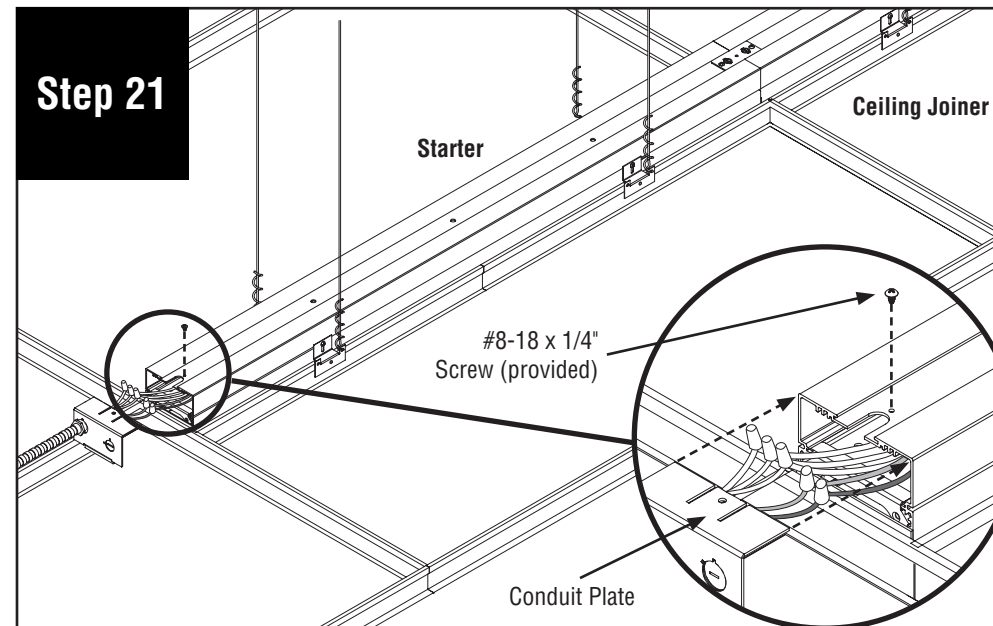
IMPORTANT STEP: Install two #8-18 x 1/2" combo hex screws (provided) into end bracket as shown. Screws can be installed from the left or right. **CAUTION: Do not over-tighten.**



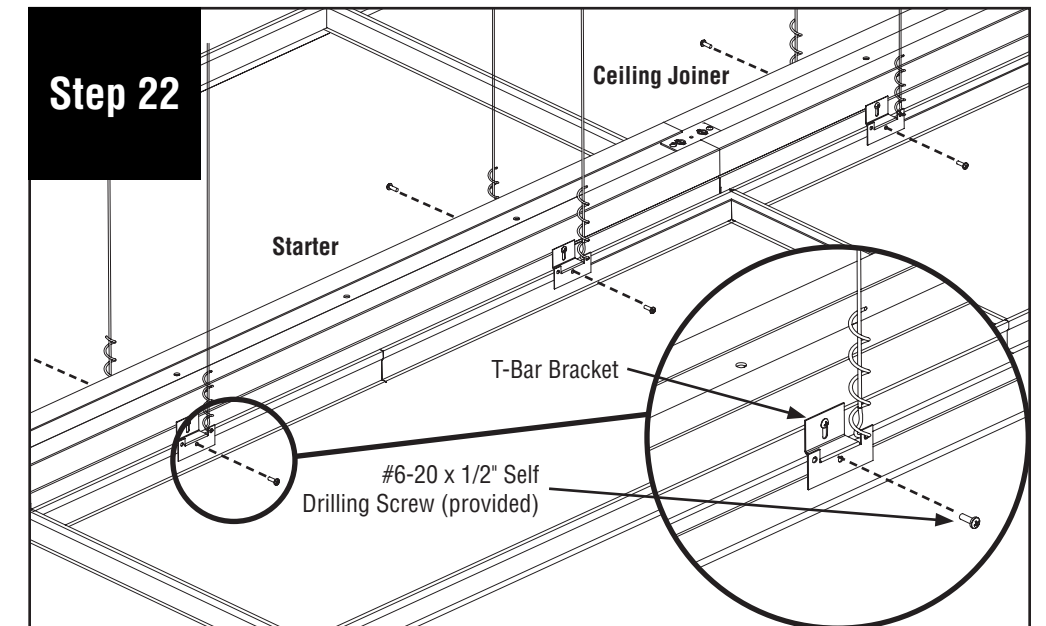
Connect all luminaires to building structure, as per code. Use #8-18 x 1/4" screws (provided) to install T-Bar brackets onto luminaires.



Remove conduit plate from end of the luminaire and insert conduit through conduit plate. **NOTE:** Purple and gray wires are for Low Voltage Control.



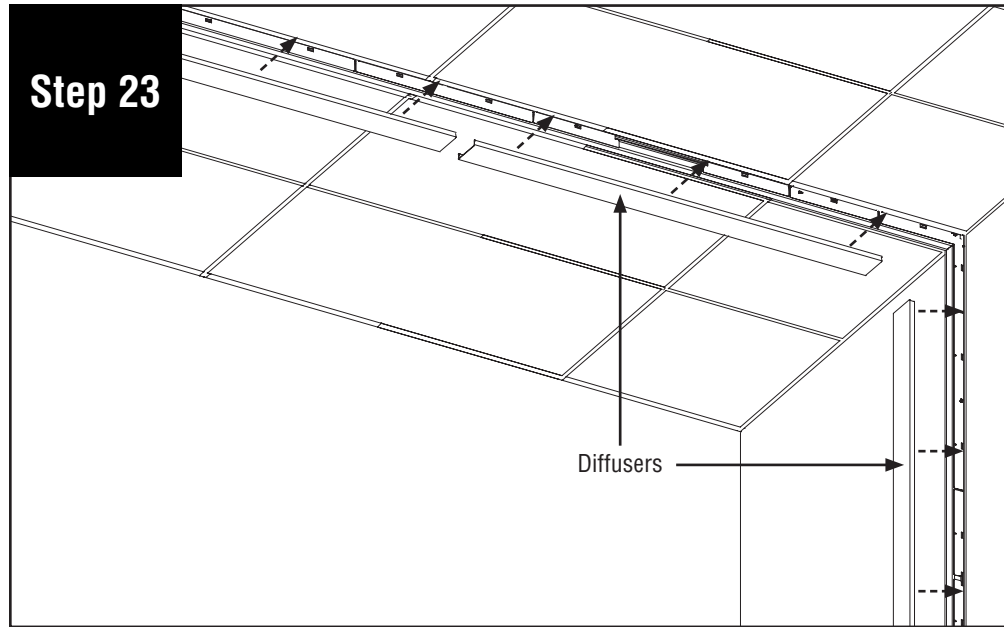
Make electrical connections and reinstall conduit plate to luminaire.



Secure all luminaires to T-Bar by driving #6-20 x 1/2" self drilling screws (provided) through T-Bar brackets into T-Bar.

Note: All power connections to be installed to local/national codes by a Certified Electrician.

HP-4 Recessed 1" T-Bar to Visible Flange Installation Instructions



Reinstall diffusers and turn power on to luminaires. **NOTE:** If part of a longer run, diffuser will be reinstalled back into original luminaire section as lengths vary.

Note: All power connections to be installed to local/national codes by a Certified Electrician.