

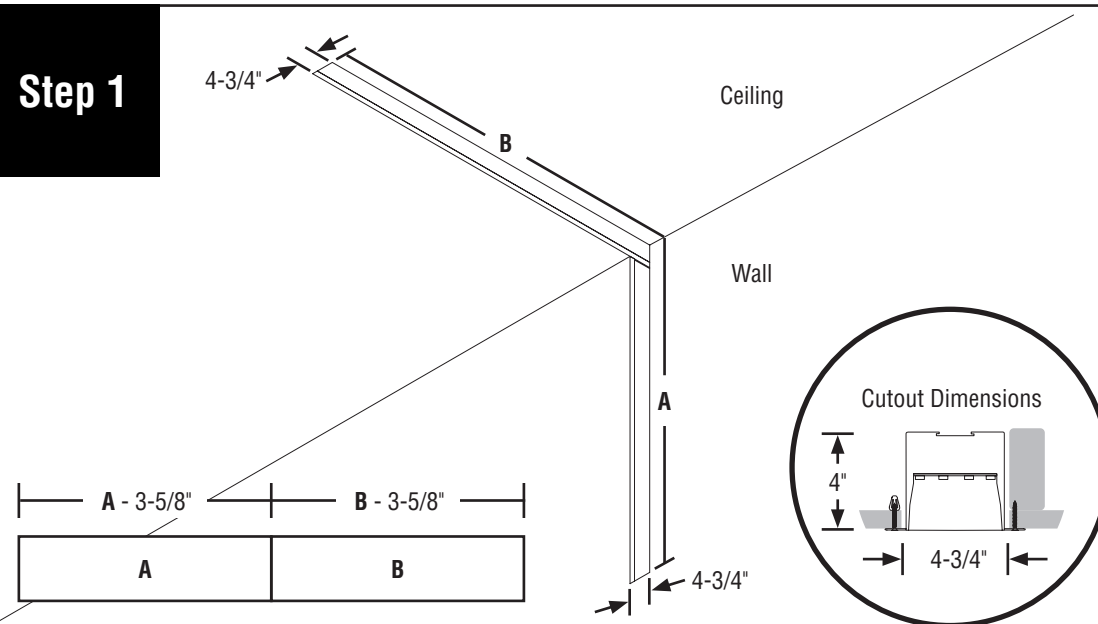
HP-4 Recessed Spackle Flange Ceiling to Wall Installation Instructions

Scan QR code for helpful video(s)



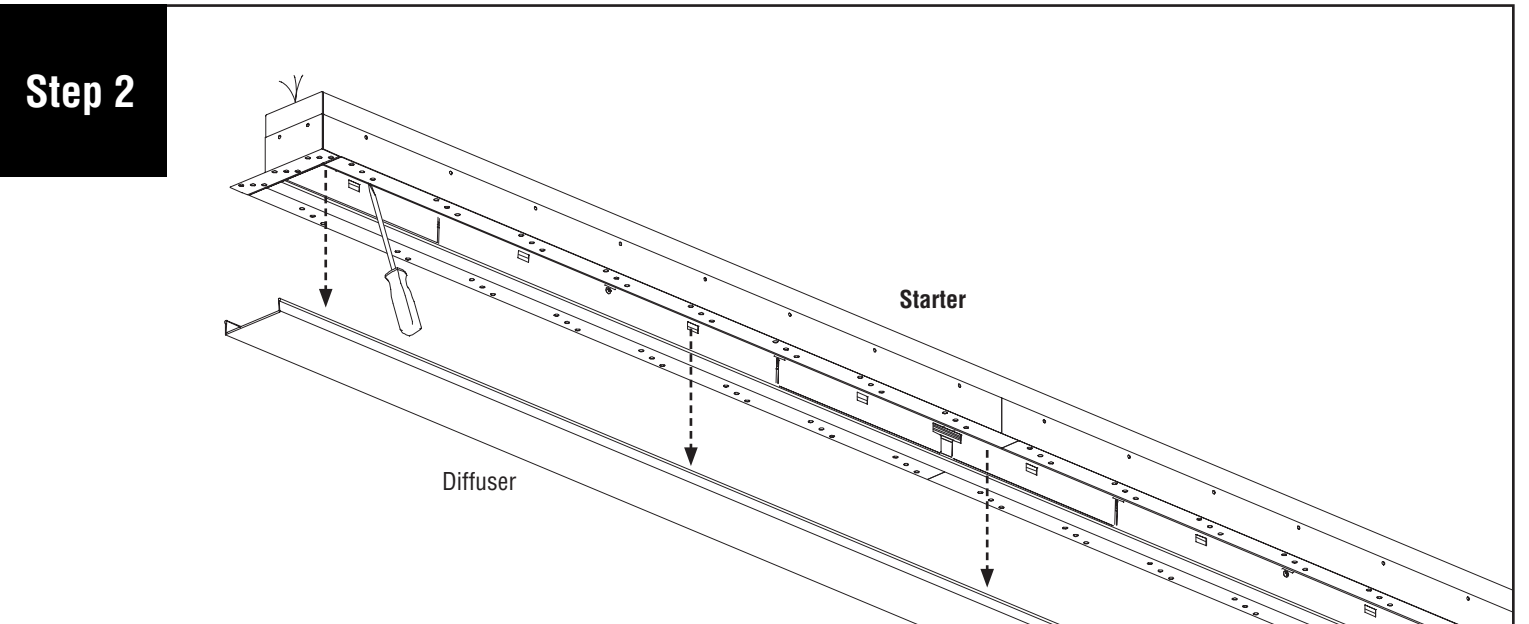
0 - 10V Dimming

Step 1



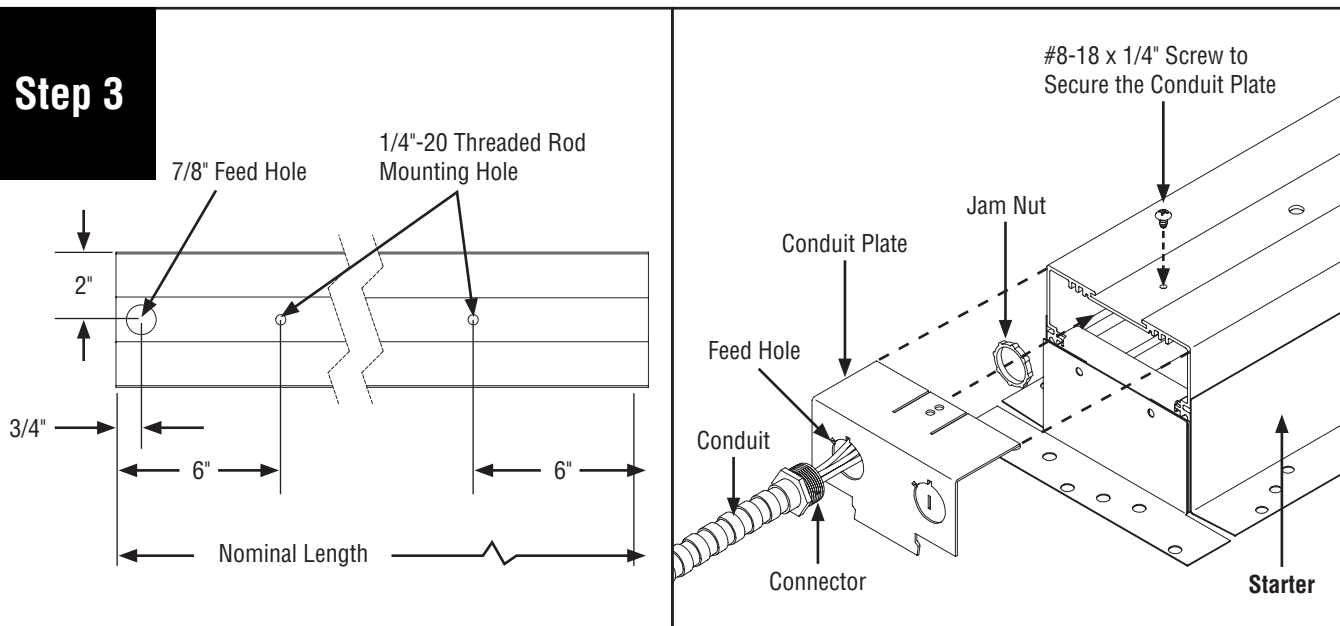
Subtract 3-5/8" from body/row length (A) and body/row length (B) to simplify installation. Luminaire needs to be installed next to support blocking. **NOTE:** Tolerances on dimensions are +/- 1/16". Please contact factory for dimensions of tailored luminaires with non-90° angles.

Step 2



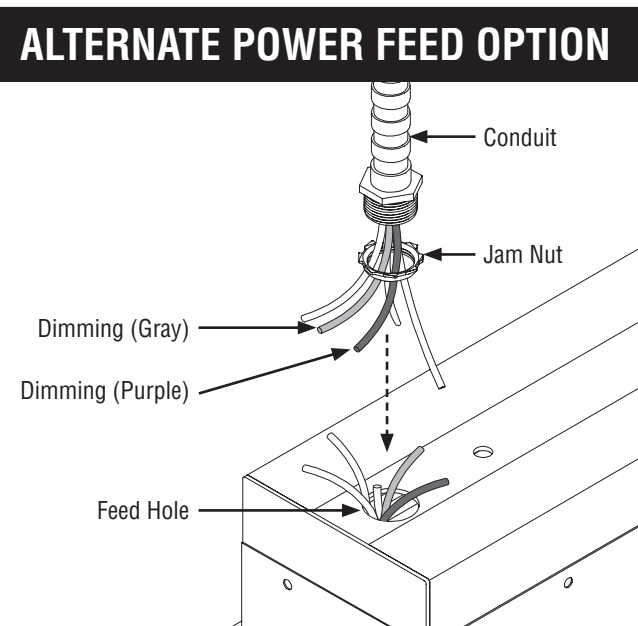
Remove diffuser from starter luminaire and set aside to prevent it from getting dirty or damaged. **NOTE:** If part of a longer run, diffuser will be reinstalled back into original luminaire section as lengths vary.

Step 3

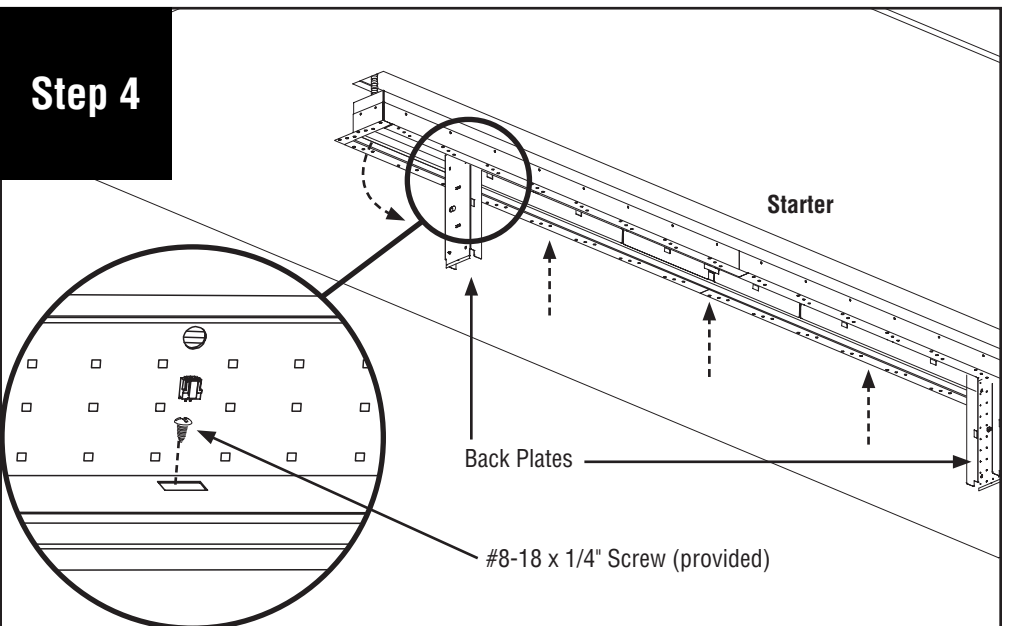


Refer to threaded rod and feed hole locations above before connecting luminaire wires. Remove jam nut from conduit then insert wires and connector through feed hole. **NOTE:** Purple and gray wires are for Low Voltage Control.

ALTERNATE POWER FEED OPTION



Step 4



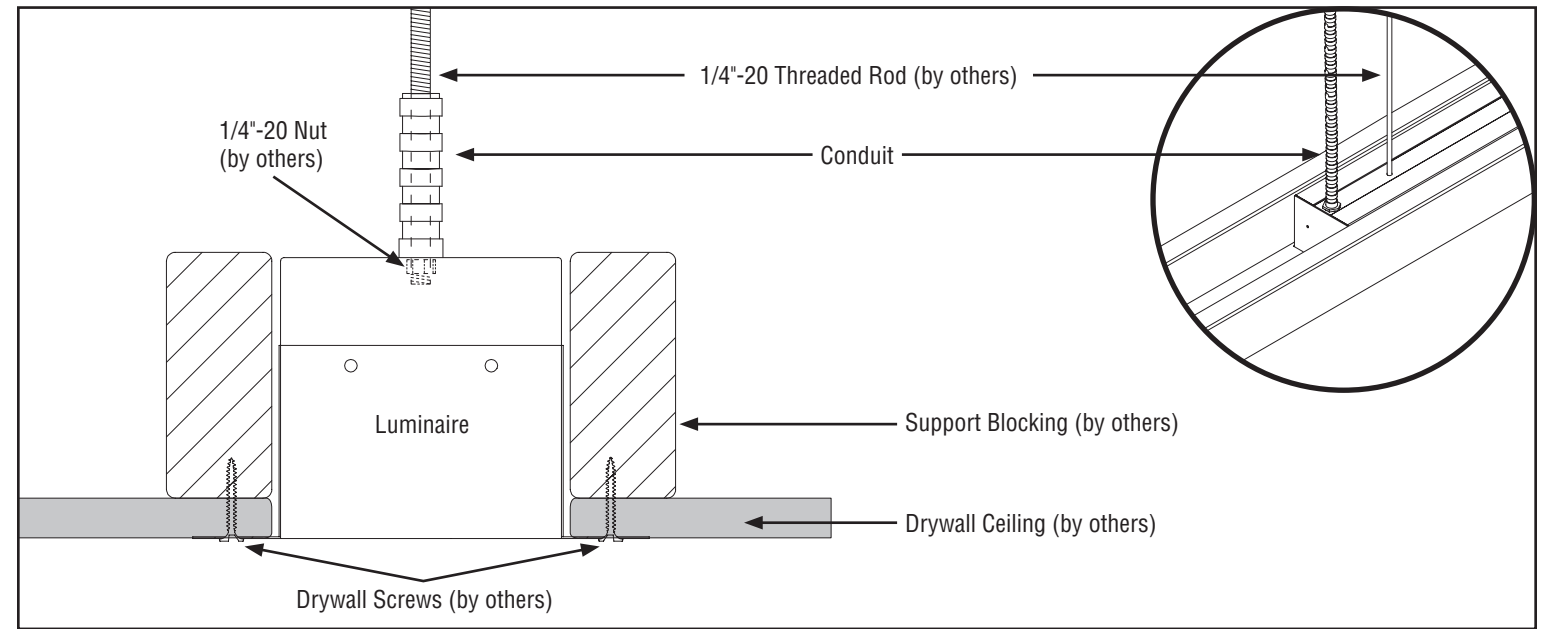
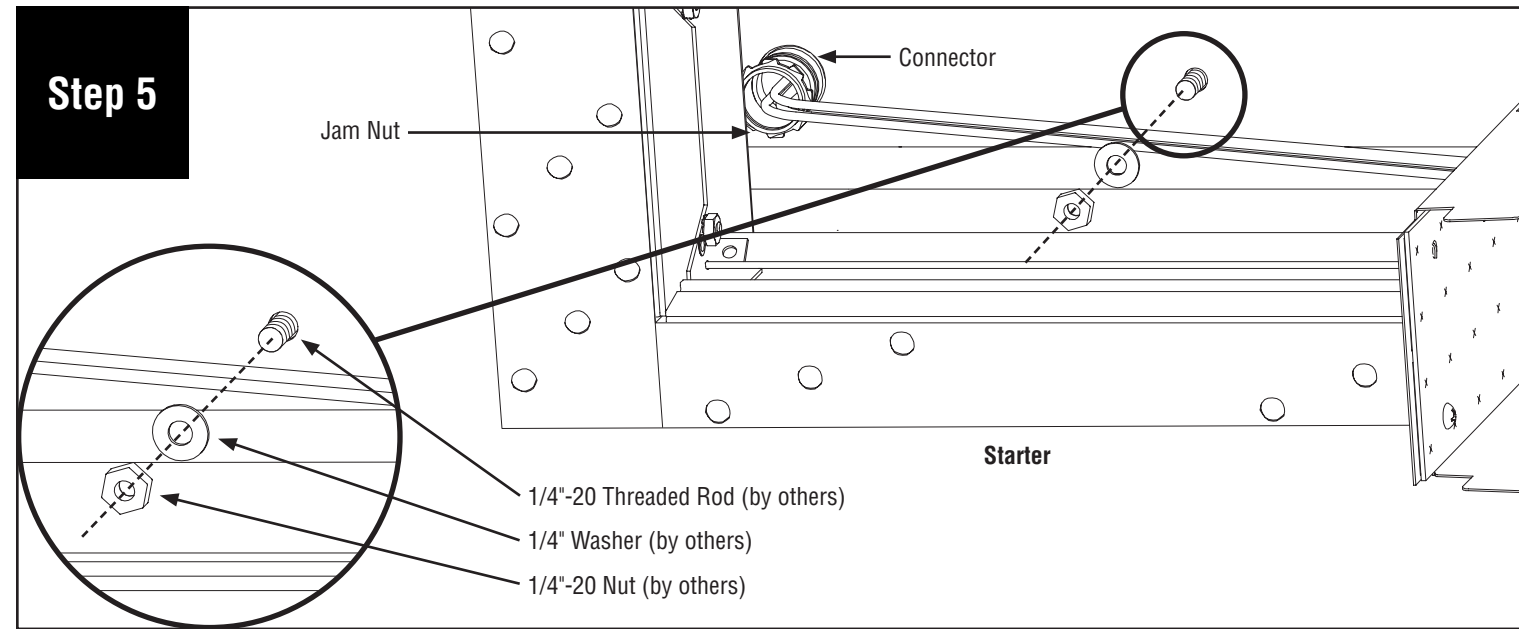
Remove #8-18 x 1/4" screw (provided) to open the trap door at both ends and align luminaire within rough opening in drywall and 1/4"-20 threaded rod. Insert luminaire into ceiling.

Note: All power connections to be installed to local/national codes by a Certified Electrician.

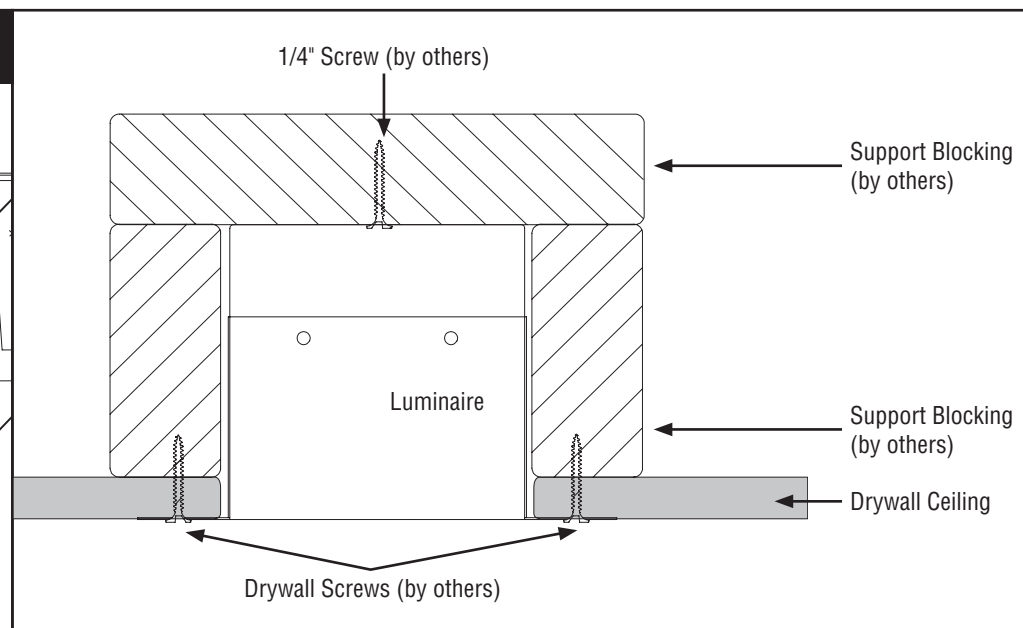
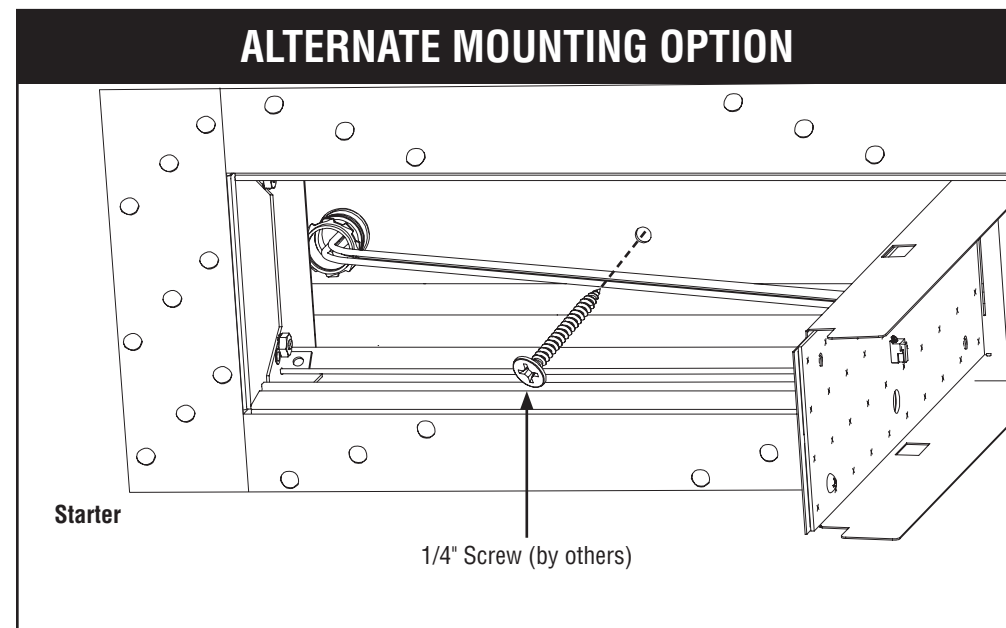
Protected by one or more US Patents: 8915613; D702,391; D702,390; D700,732; D727,554 S; D727,550 S; D727,551 S

© 2017 FINELITE, INC. ALL RIGHTS RESERVED. Form 98185 V2. 04/17

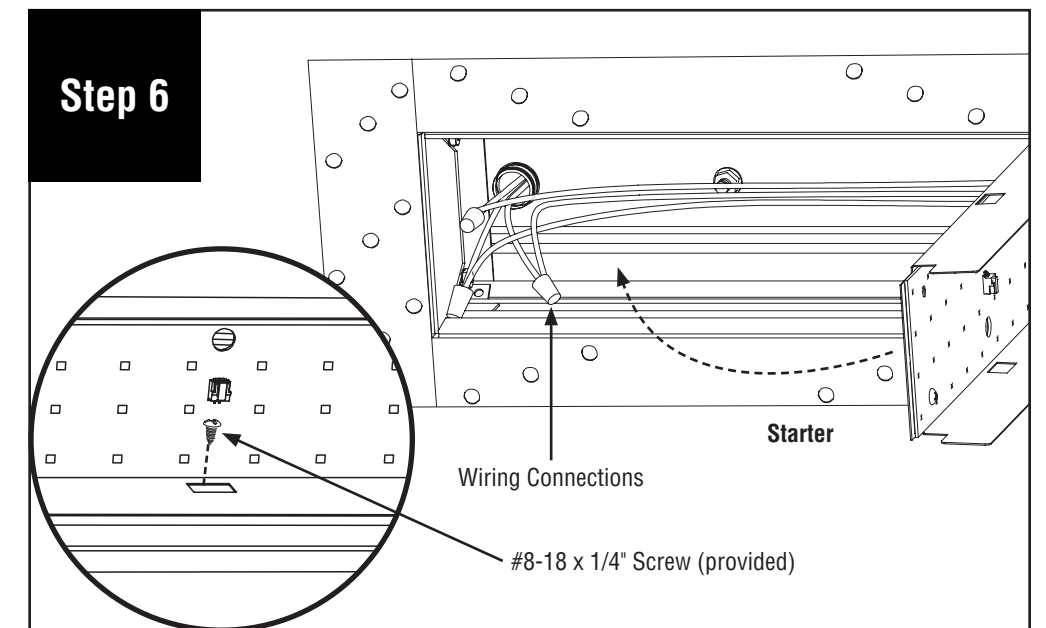
HP-4 Recessed Spackle Flange Ceiling to Wall Installation Instructions



Install jam nut onto connector. Install 1/4"-20 nut (by others) and 1/4" washer (by others) onto 1/4"-20 threaded rod (by others).



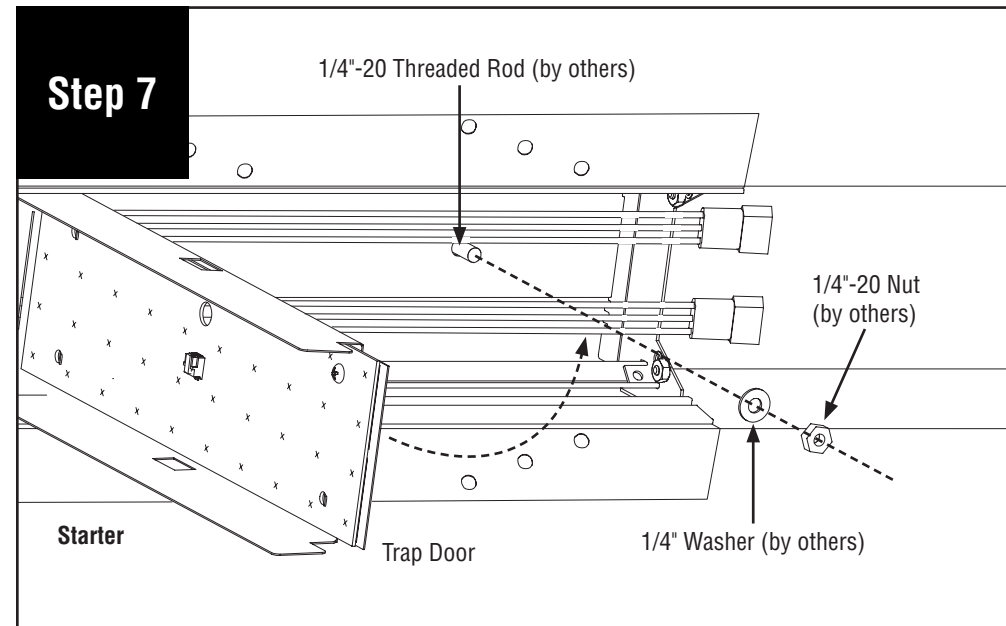
ALTERNATE MOUNTING OPTION: Install 1/4" screw (by others) through mounting hole into proper structurally supported blocking (by others).



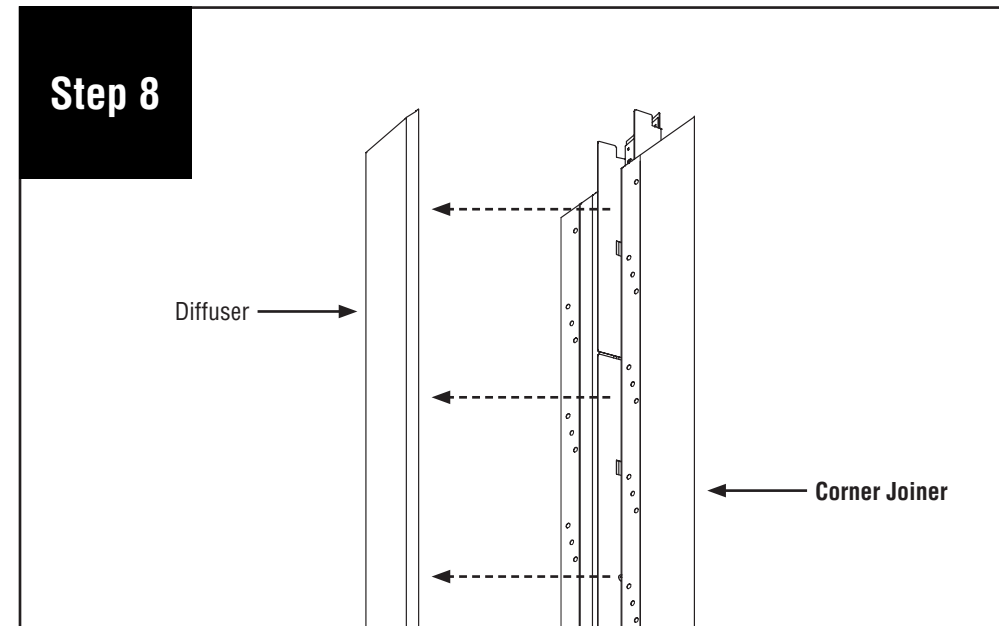
Make wiring connections and secure trap door with #8-18 x 1/4" screw (provided).

Note: All power connections to be installed to local/national codes by a Certified Electrician.

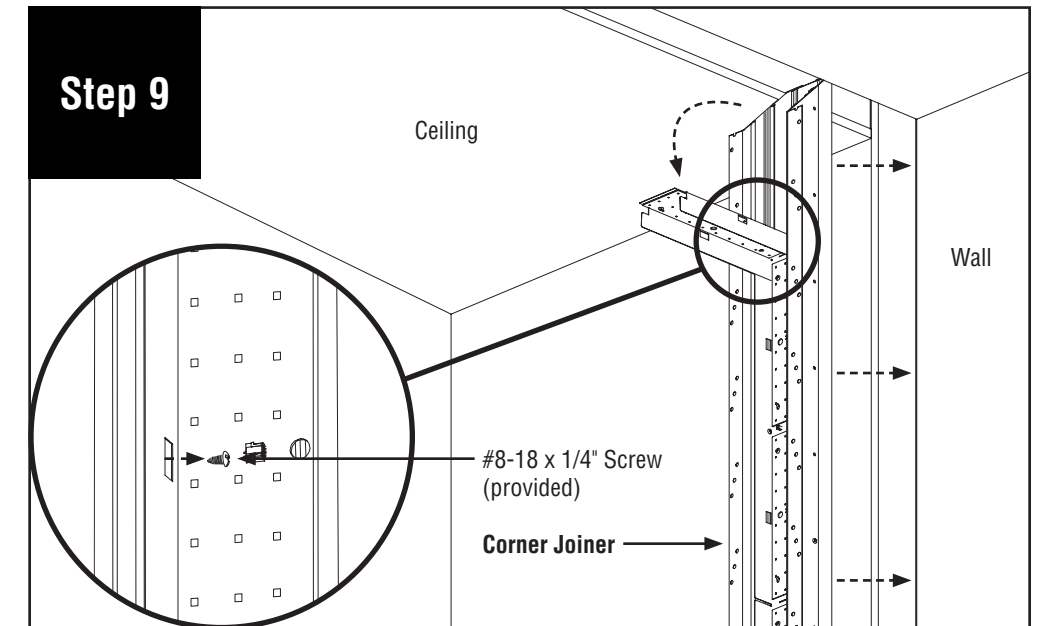
HP-4 Recessed Spackle Flange Ceiling to Wall Installation Instructions



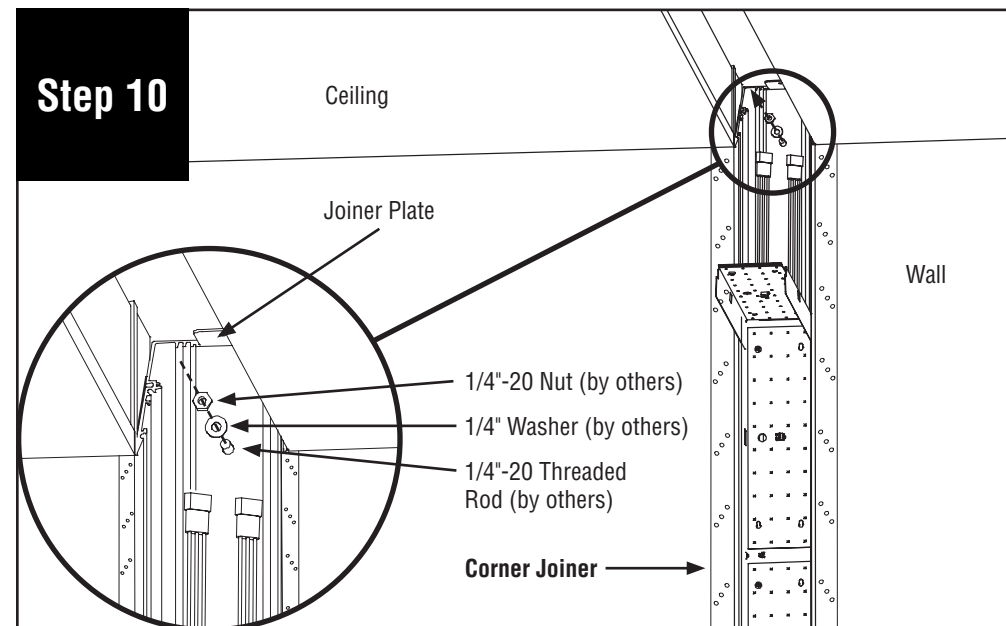
On opposite end of luminaire, install 1/4"-20 nut (by others) and 1/4" washer (by others) onto 1/4"-20 threaded rod (by others) or use alternate mounting option (use fastener and washer compatible to structural blocking to secure luminaire). Replace trap door and fasten with #8-18 x 1/4" screws (provided).



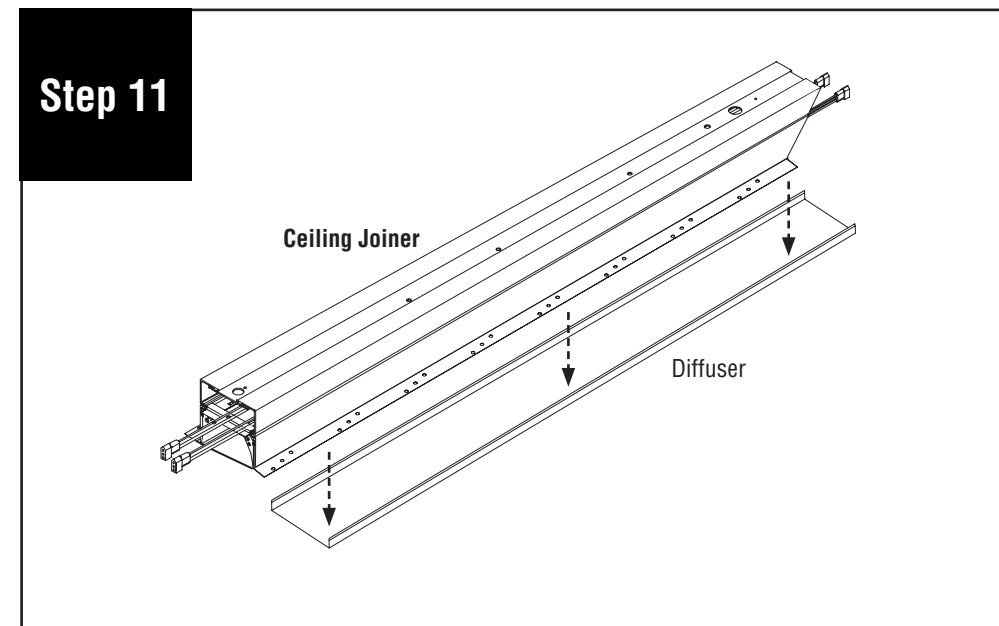
Remove diffuser from the corner joiner luminaire and set aside to prevent it from getting dirty or damaged.



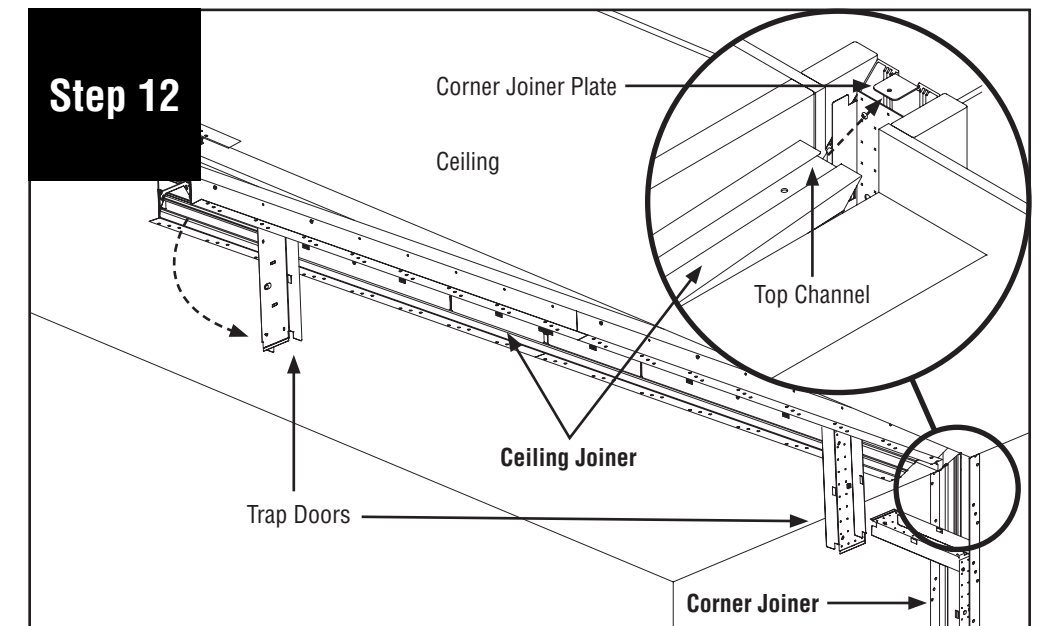
Remove #8-18 x 1/4" screw (provided) to open the trap doors at both ends of the corner joiner and then insert luminaire into rough wall opening.



Install 1/4"-20 nut (by others) and 1/4" (by others) washer onto 1/4"-20 threaded rod (by others) or use alternate mounting option (use fastener and washer compatible to structural blocking to secure luminaire). Repeat this step at the opposite end of the luminaire.



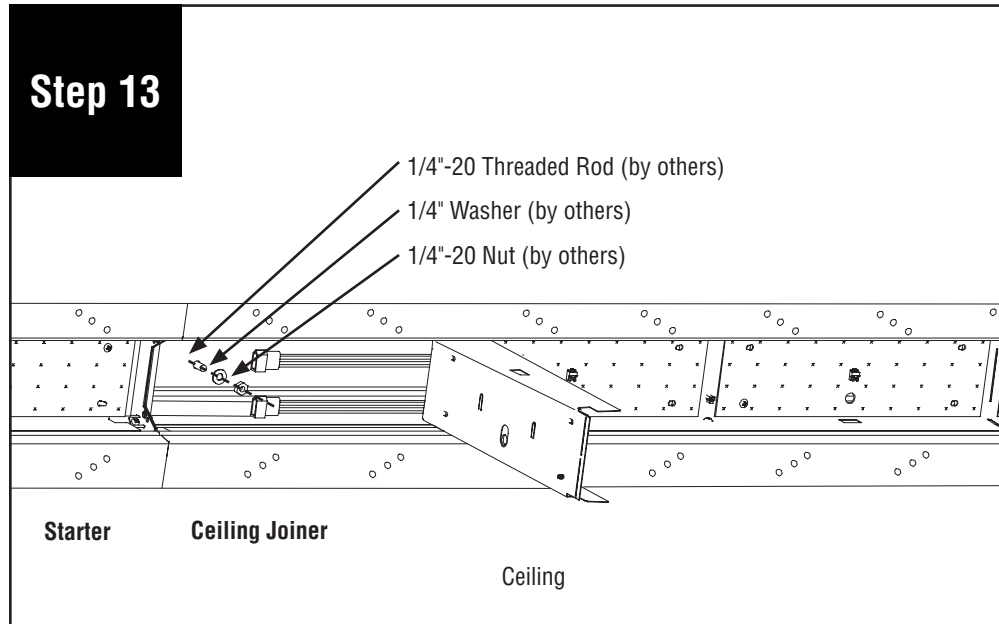
Remove diffuser from ceiling joiner luminaire and set aside to prevent it from getting dirty or damaged.



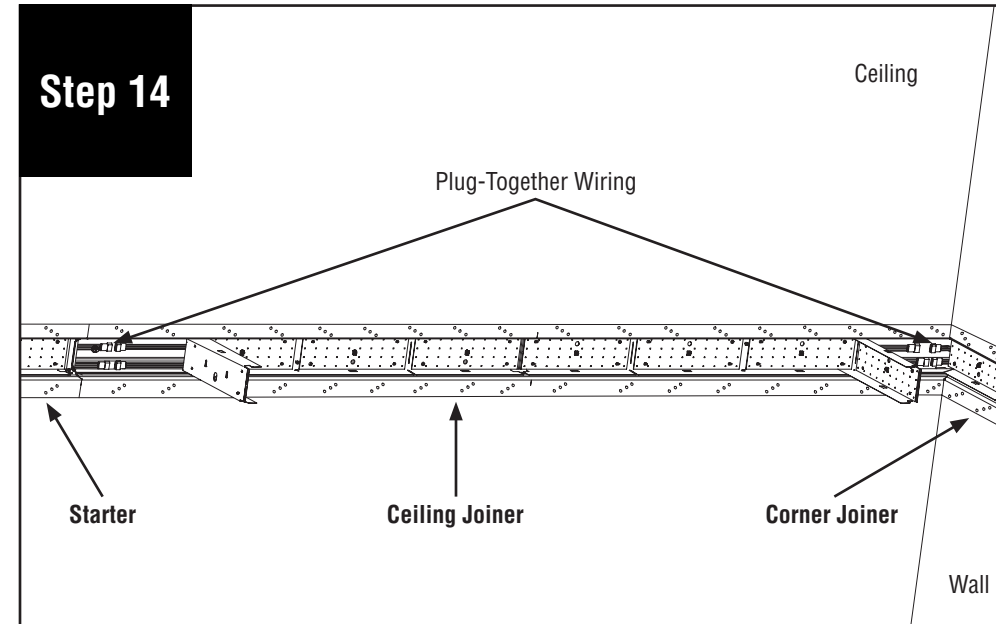
Remove #8-18 x 1/4" screw (provided) to open ceiling joiner trap doors. Insert ceiling joiner luminaire into rough wall opening, corner end first by aligning top channel to corner joiner plate.

Note: All power connections to be installed to local/national codes by a Certified Electrician.

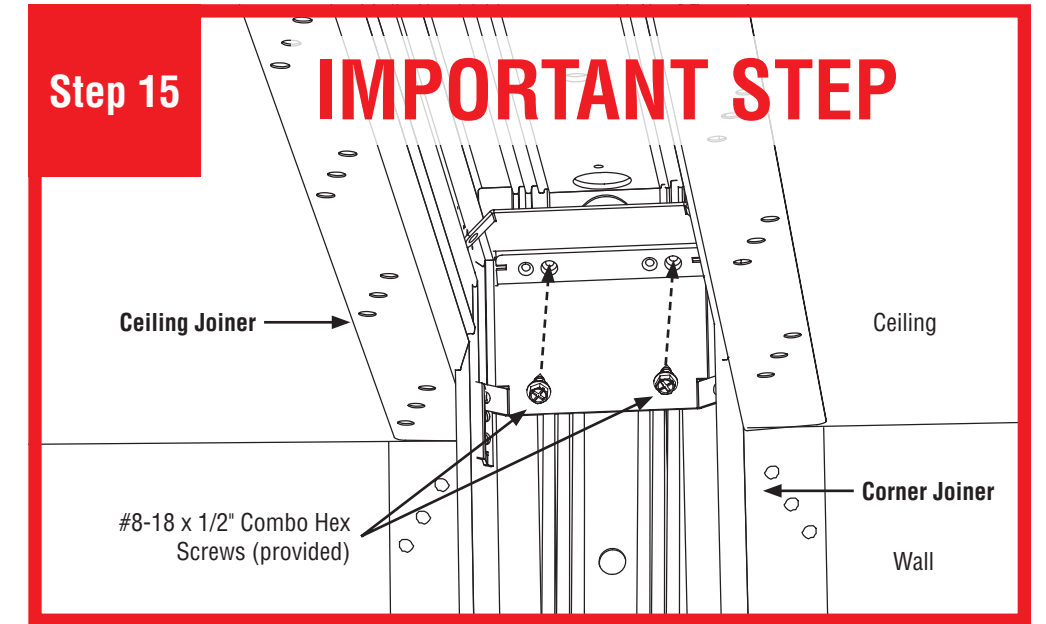
HP-4 Recessed Spackle Flange Ceiling to Wall Installation Instructions



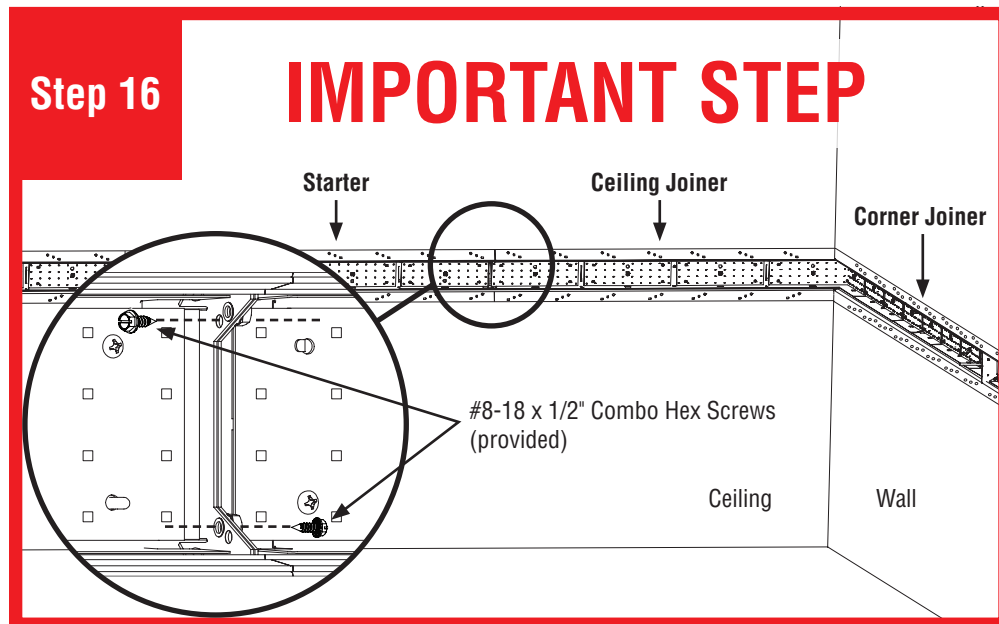
Install 1/4" washer (by others) and 1/4"-20 nut (by others) onto 1/4"-20 threaded rod (by others) or use alternate mounting option (use fastener and washer compatible to structural blocking to secure luminaire).



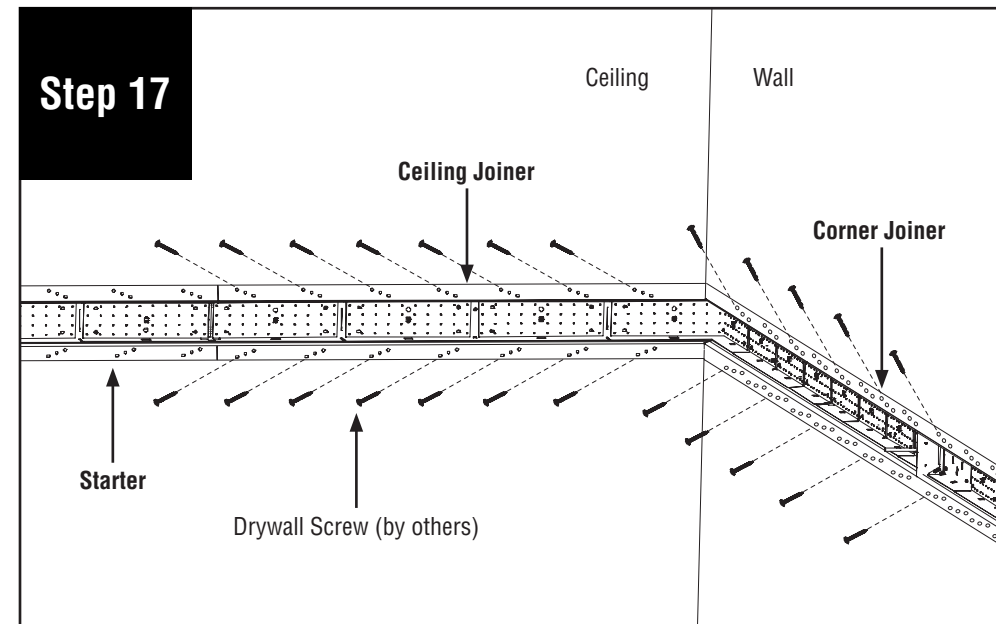
Connect plug-together wiring on both ends of the ceiling joiner luminaire.



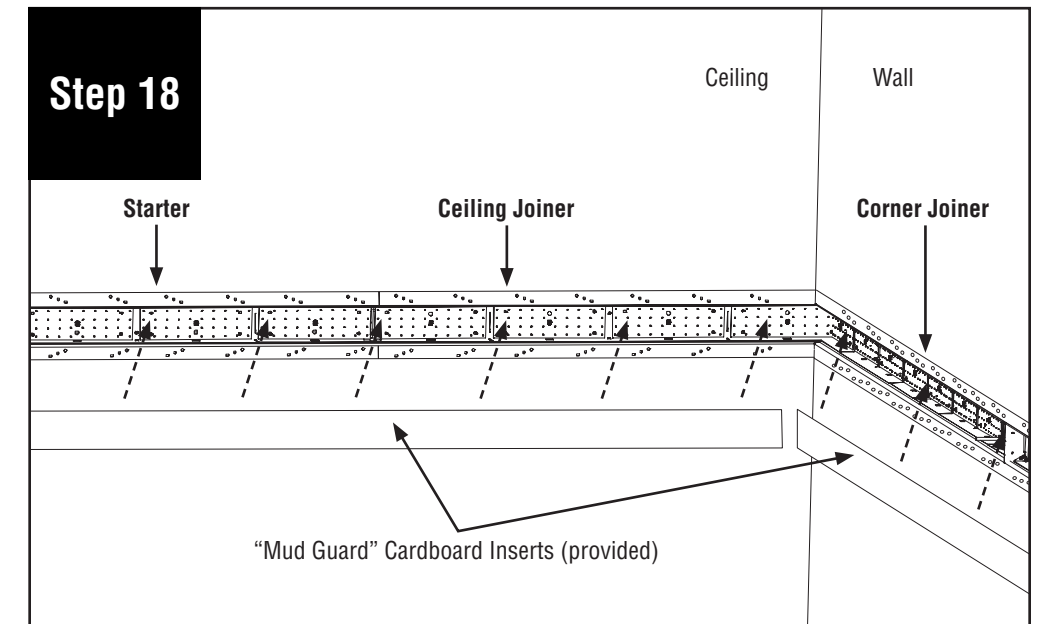
IMPORTANT STEP: Install 2 #8-18 x 1/2" combo hex screws (provided) into end bracket as shown. Screws can be installed from the left or right. **CAUTION: Do not over-tighten.** Replace all trap doors and fasten with #8-18 x 1/4" screws (provided).



IMPORTANT STEP: Install 2 #8-18 x 1/2" combo hex screws (provided) into end bracket as shown. Screws can be installed from the left or right. **CAUTION: Do not over-tighten.**



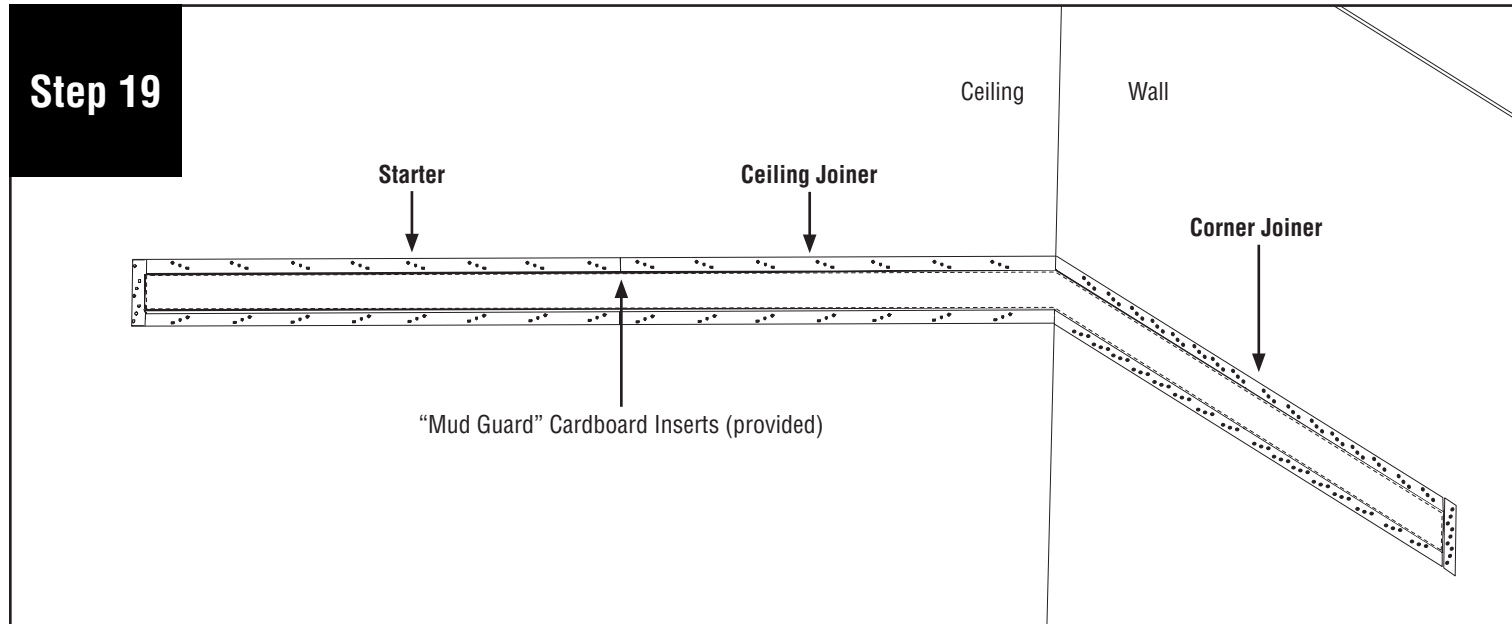
Fasten luminaires to the ceiling and wall with drywall screws (by others) through the flange into blocking.



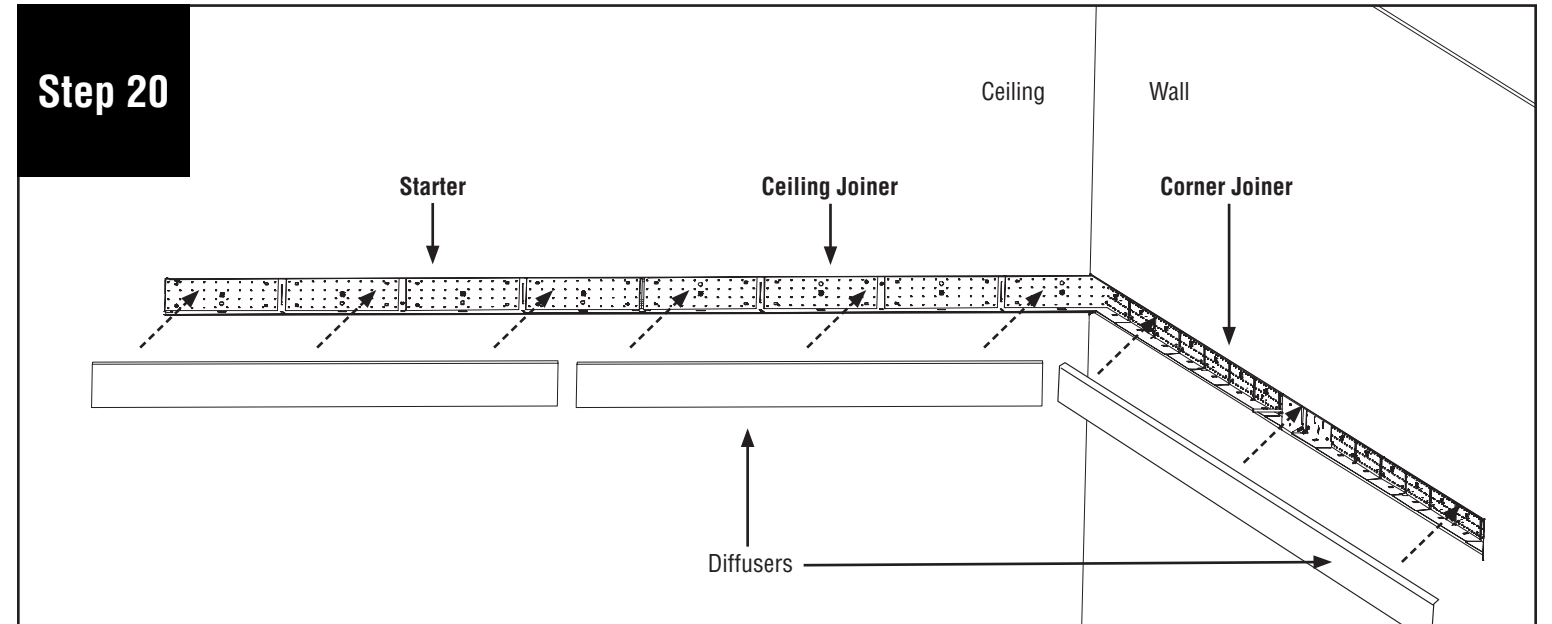
Install the "mud guard" cardboard inserts (provided) to help prevent spackle from getting into the luminaire.

Note: All power connections to be installed to local/national codes by a Certified Electrician.

HP-4 Recessed Spackle Flange Ceiling to Wall Installation Instructions



Use spackle to cover up the flange. Once the spackling is complete, remove the mud guards.



Reinstall diffusers, and turn power on to the luminaires. **NOTE:** If part of a longer run, diffuser will be reinstalled back into original luminaire section as lengths vary.

Note: All power connections to be installed to local/national codes by a Certified Electrician.