
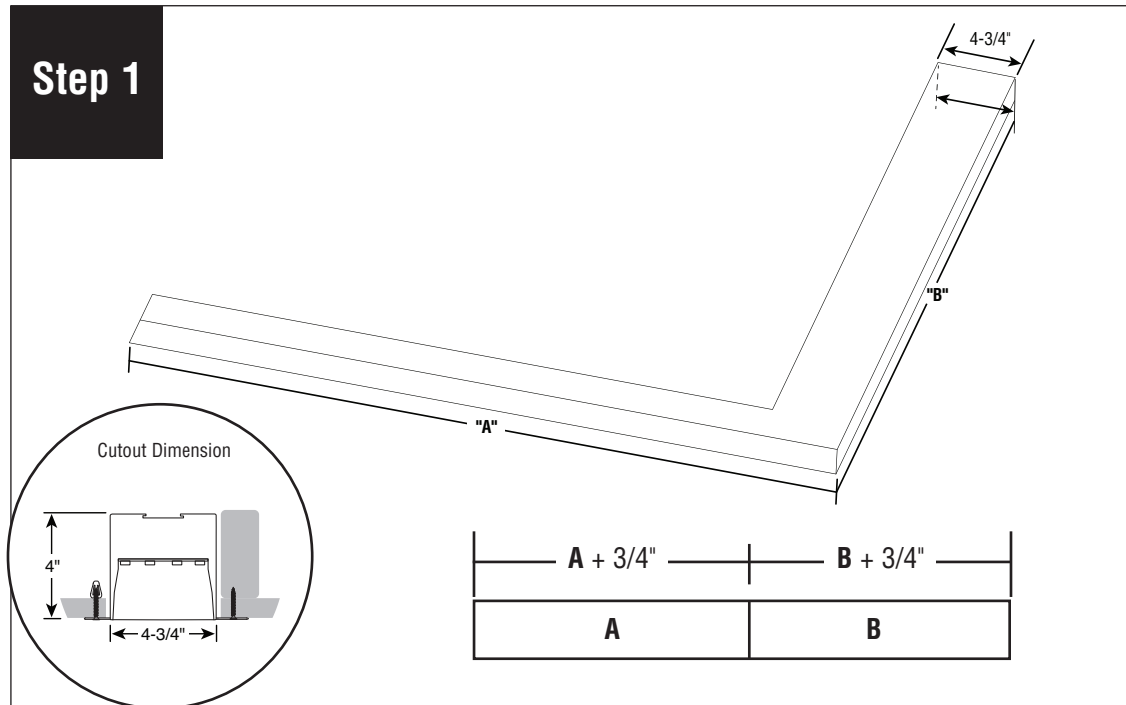


HP-4 Recessed Flush Diffuser Spackle Flange Mitered Corner Installation Instructions

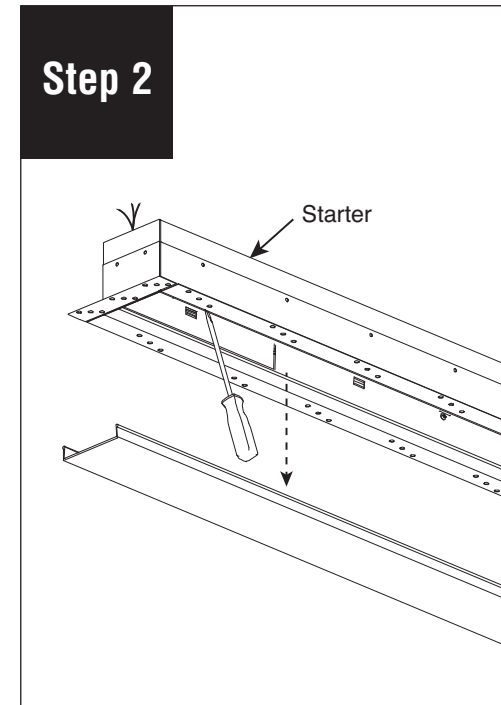
Scan QR code for helpful video(s)



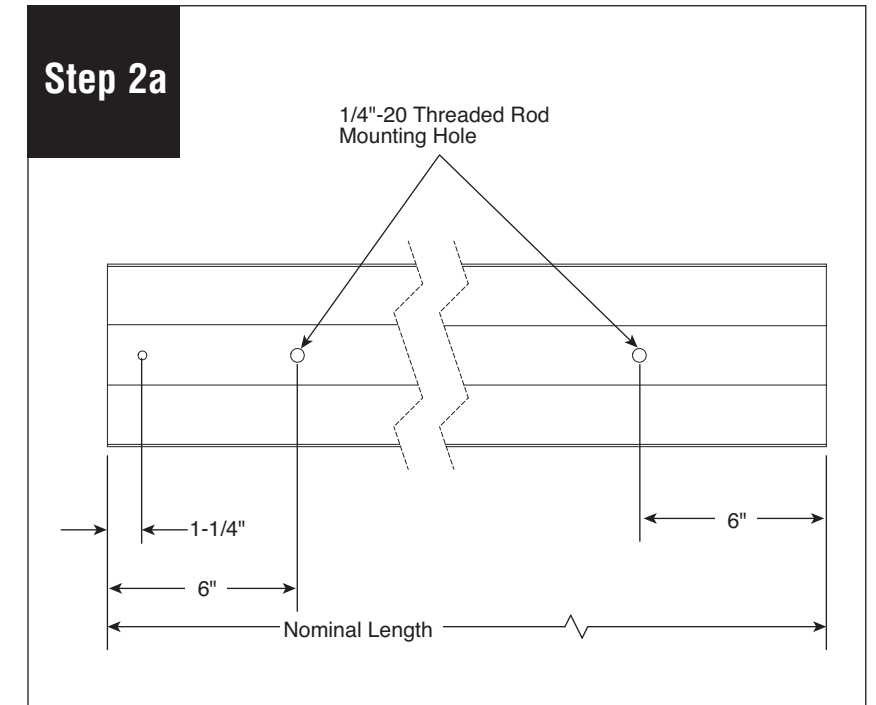
0 - 10V Dimming



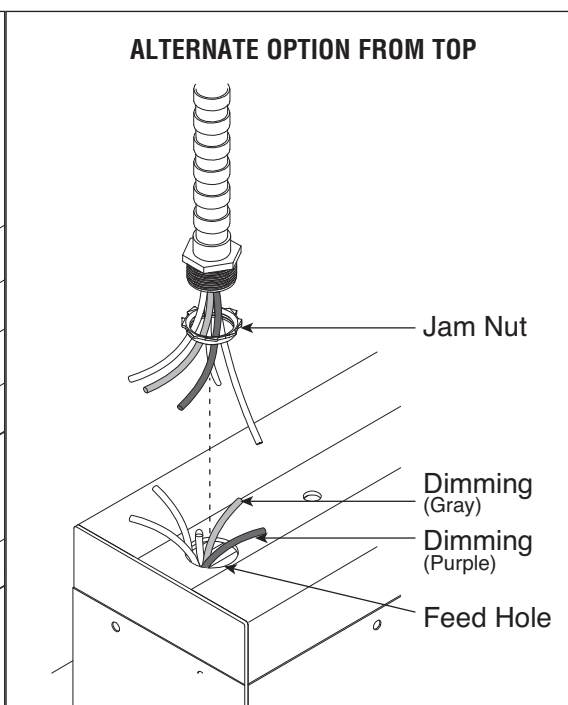
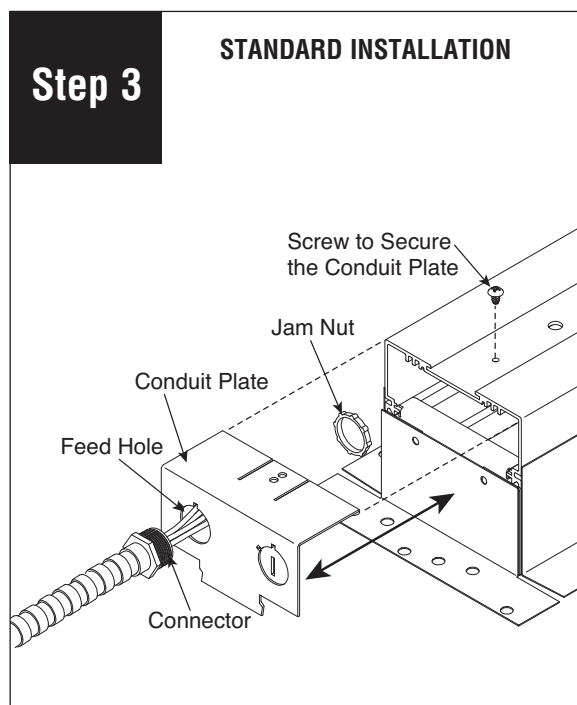
Add 3/4" to body/row length (A) and body/row length (B), to simplify installation. Luminaire needs to be installed next to support blocking. **NOTE:** Tolerances on dimensions are +/- 1/16". Please contact factory for dimensions of tailored luminaires with non-90° angles.



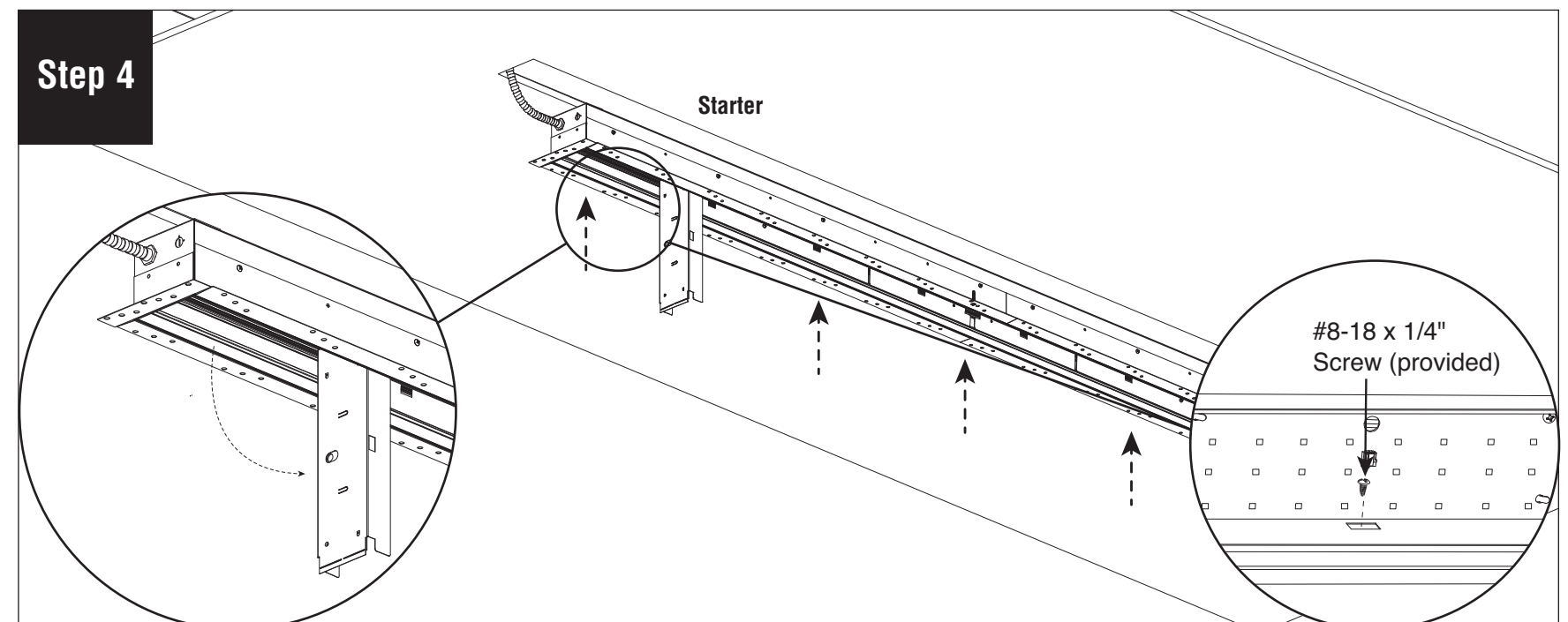
Remove diffuser and set it aside to prevent it from getting dirty or damaged.



Refer to threads and feed hole locations above before connecting luminaire wires.



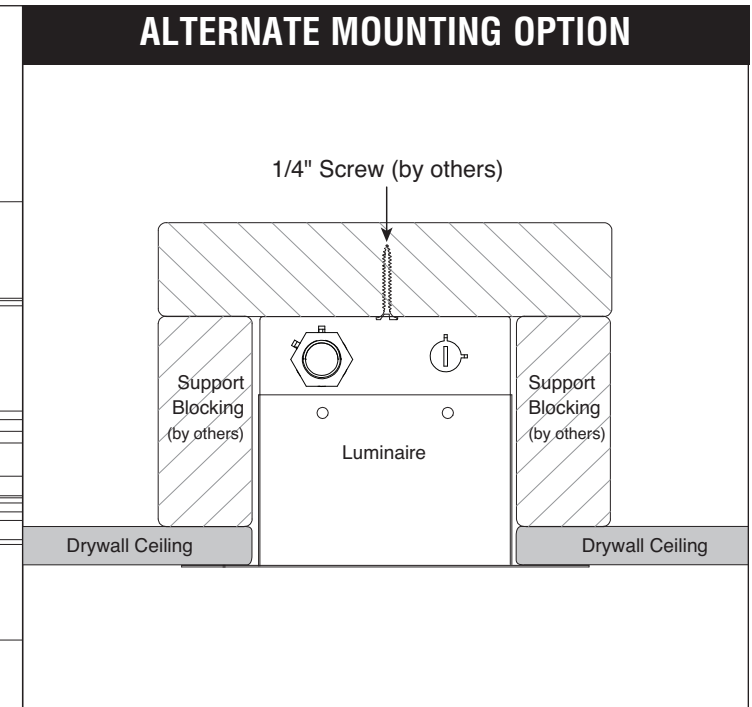
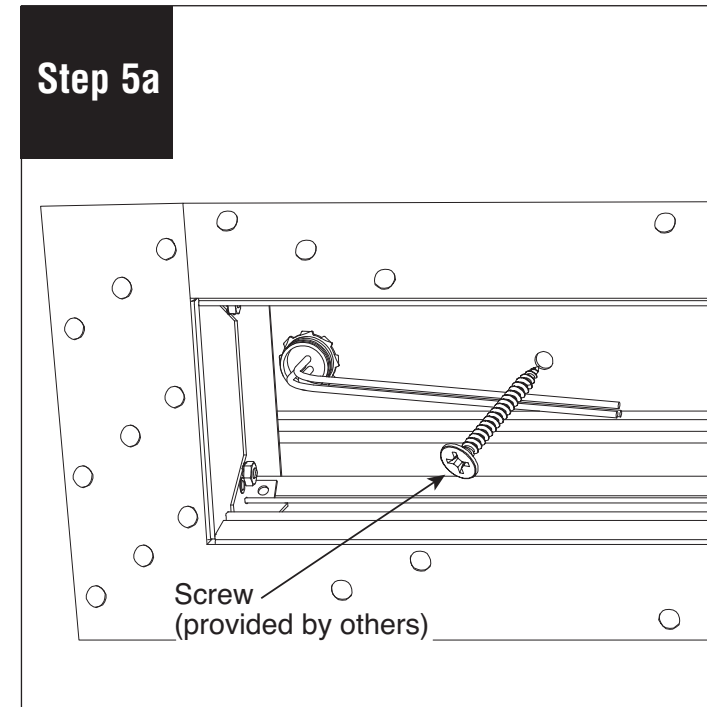
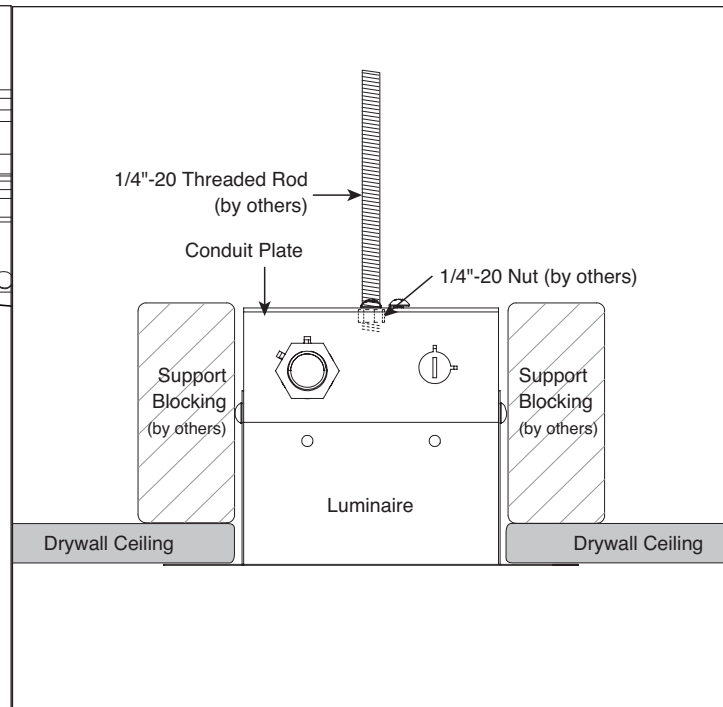
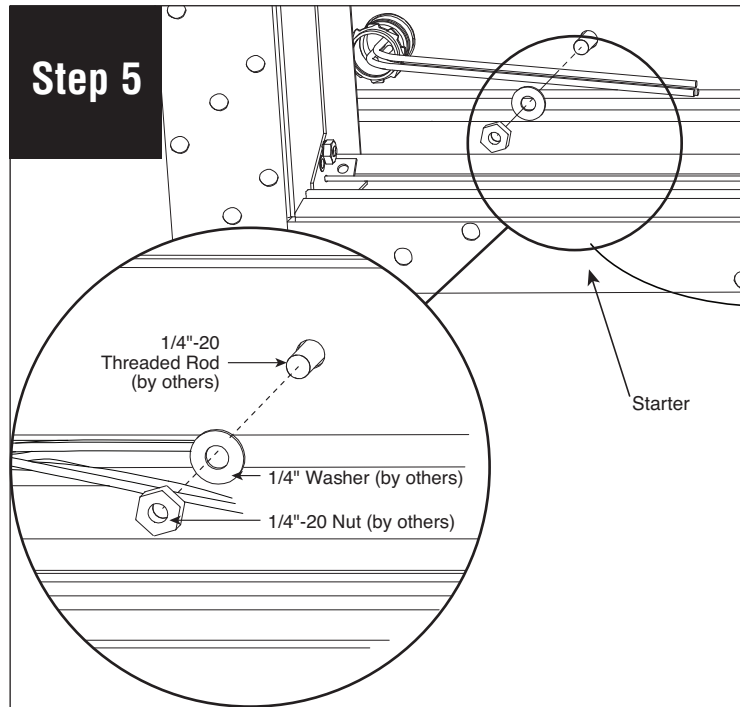
Remove jam nut from conduit then insert wires and connector through feed hole. **NOTE:** Purple and gray wires are for Low Voltage Control.



Remove #8-18 x 1/4" screw to open trap door at both ends and align luminaire within rough opening in drywall and 1/4"-20 threaded rod (by others). **NOTE:** When adding a joiner/ender, allow the luminaire to hang below ceiling while still having it supported by the threaded rod, washers and nuts.

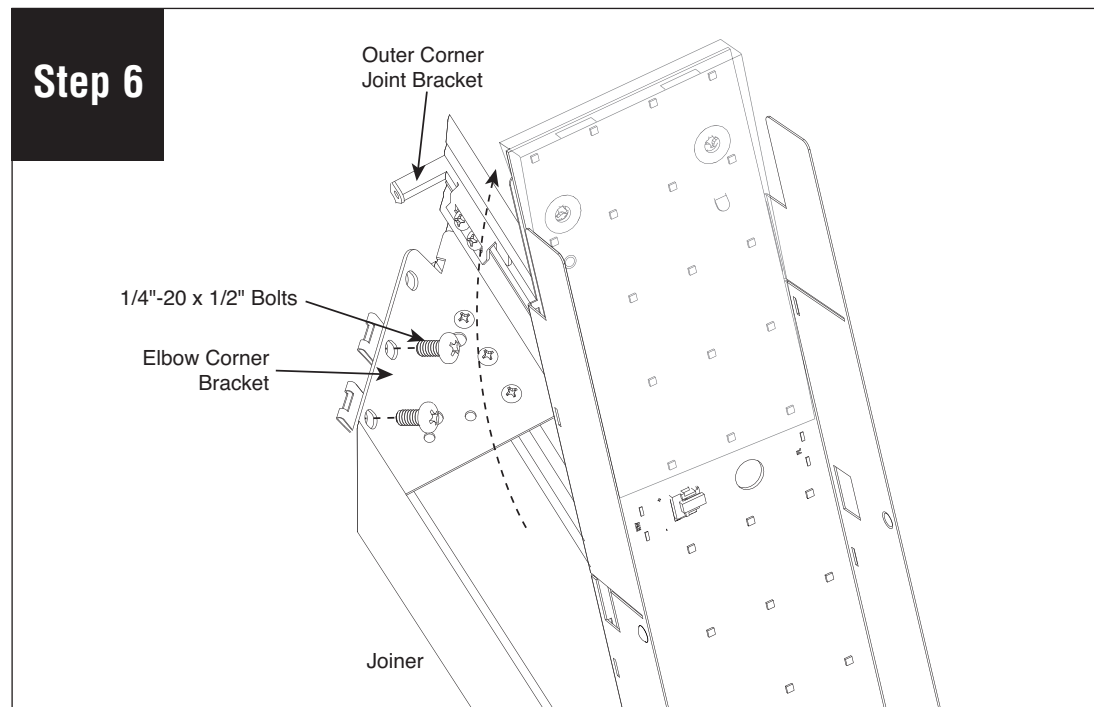
Note: All power connections to be installed to local/national codes by a Certified Electrician.

HP-4 Recessed Flush Diffuser Spackle Flange Mitered Corner Installation Instructions

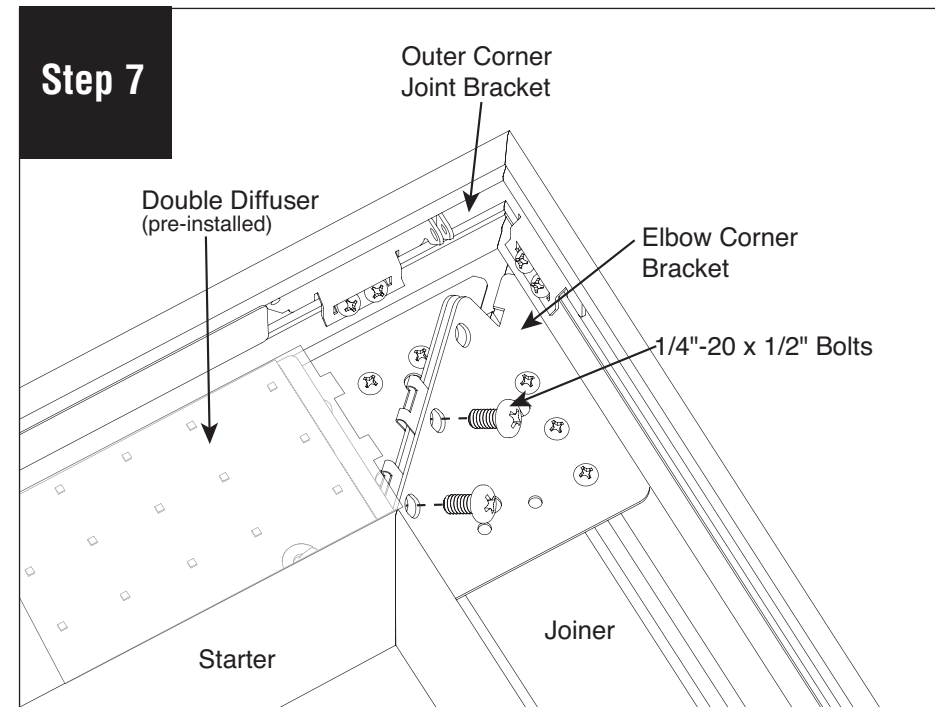


Install jam nut onto connector. Secure luminaire to structure using 1/4"-20 threaded rod. Install 1/4"-20 nut (by others) and 1/4" washer (by others) onto 1/4"-20 threaded rod (by others).

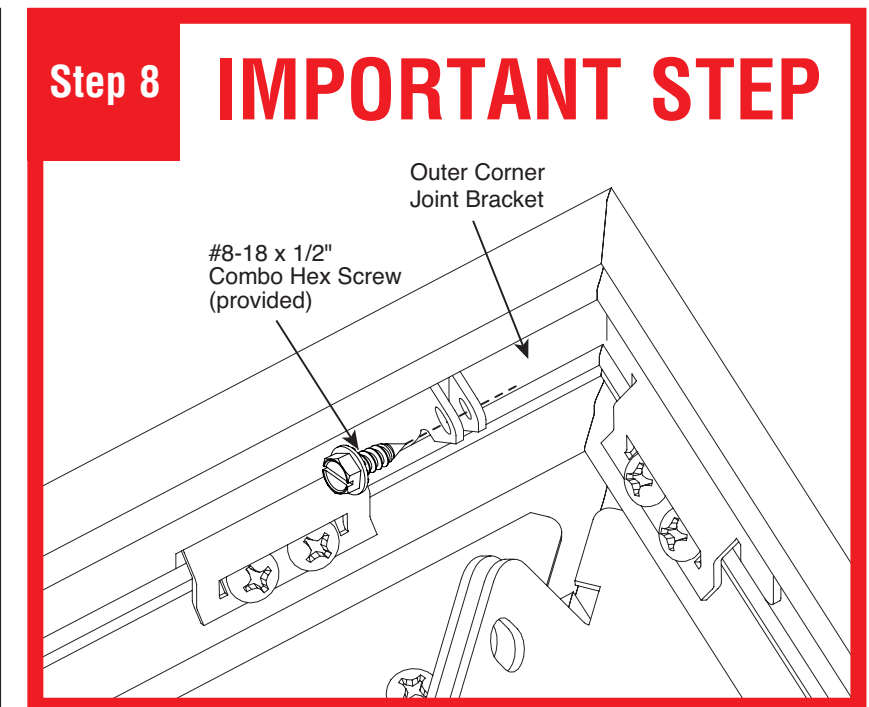
ALTERNATE MOUNTING OPTION: Install 1/4" screw (provided by others) through mounting hole into proper structurally supported blocking (provided by others).



Remove #8-18 x 1/4" screw (provided) to open joiner trap door then remove two 1/4"-20 x 1/2" bolts from elbow corner bracket. Connect plug-together wiring. Align joint brackets to channels and slide luminaires together.



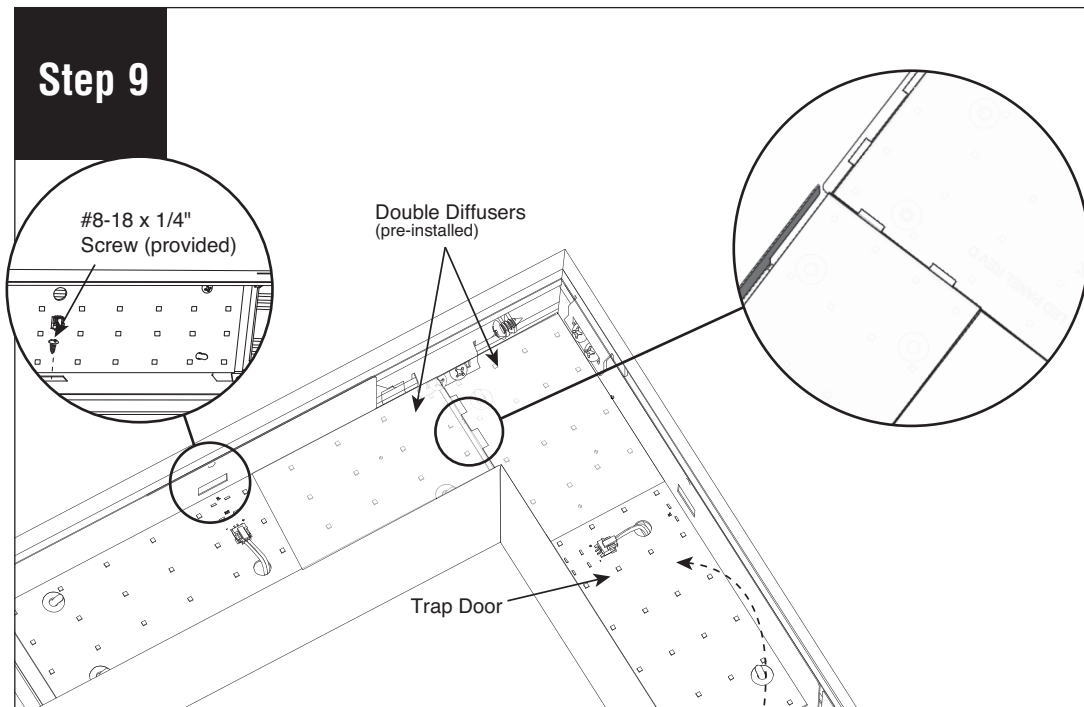
Fasten the elbow corner brackets with two 1/4"-20 x 1/2" bolts (provided).



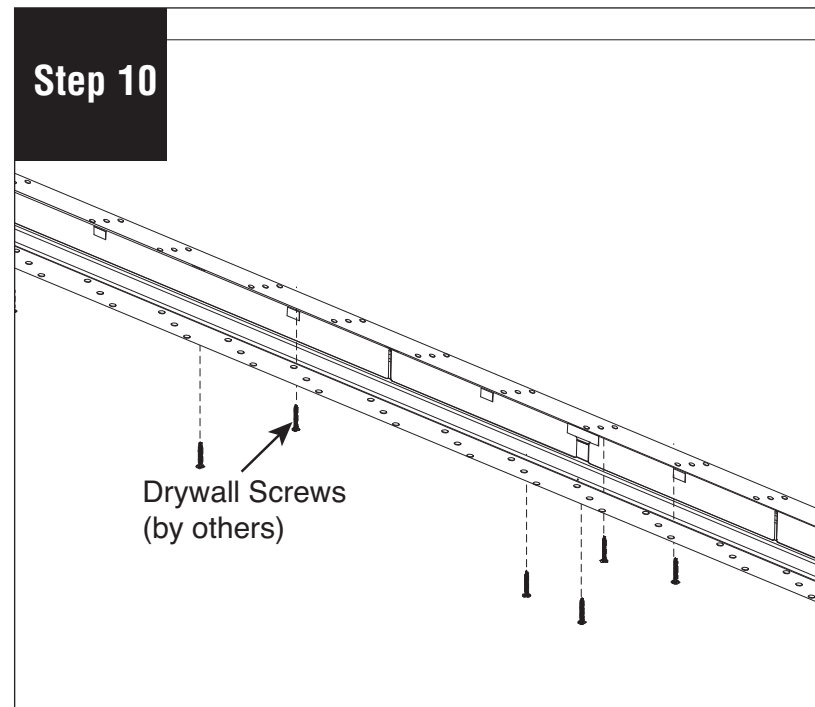
IMPORTANT STEP: Install the #8-18 x 1/2" combo hex screw (provided) into outer joint bracket as shown. When installed correctly these hex screws will pull luminaires together to make a tight joint. **CAUTION: Do not over-tighten.**

Note: All power connections to be installed to local/national codes by a Certified Electrician.

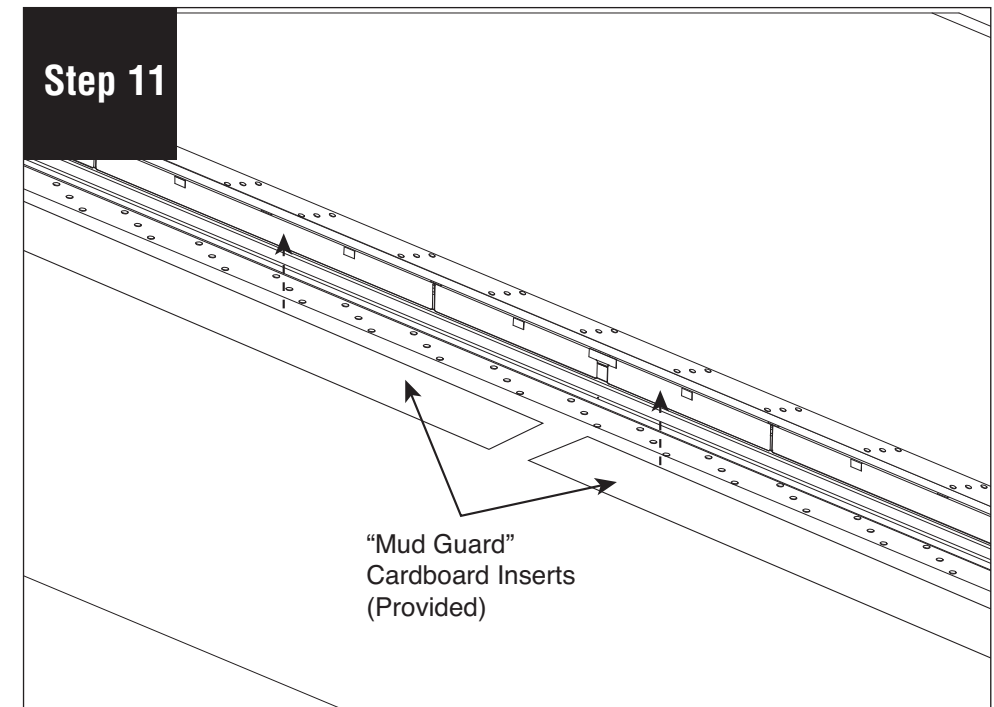
HP-4 Recessed Flush Diffuser Spackle Flange Mitered Corner Installation Instructions



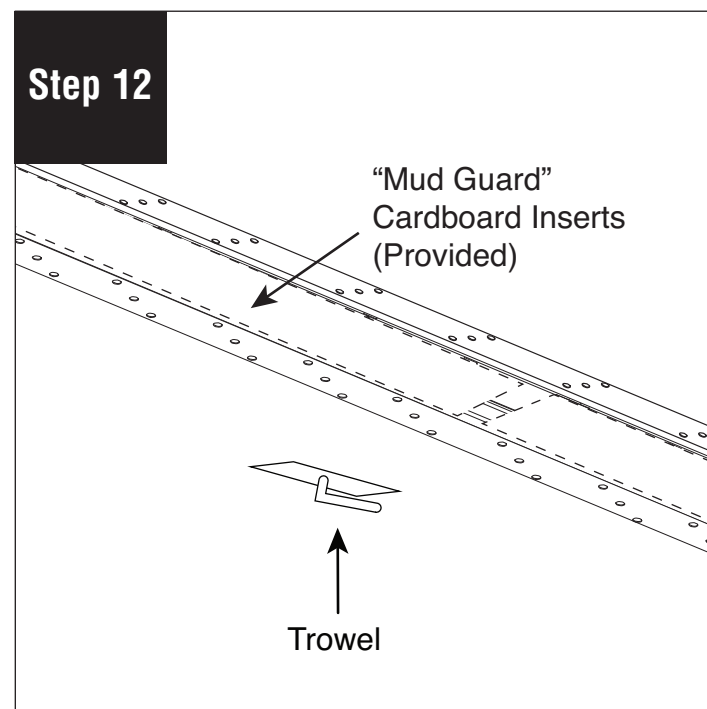
Replace trap door and fasten with #8-18 x 1/4" screws (provided). Ensure right (long section) diffuser is under left (short section) diffuser tabs.



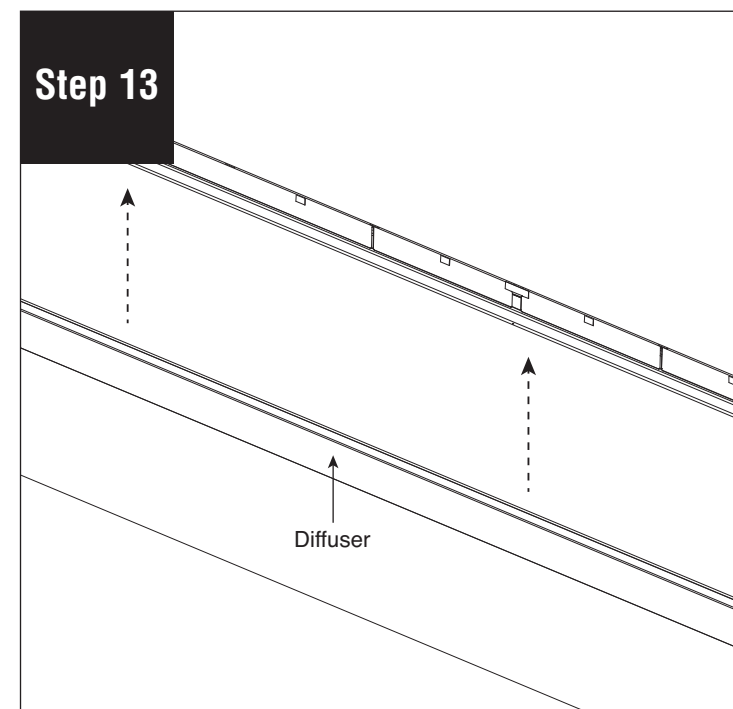
Fasten all luminaires to the ceiling with drywall screws (by others) through flange into blocking.



Install the "mud guard" cardboard inserts (provided) to help prevent spackle from getting into the luminaire.



Use the spackle to cover the flange. Remove the "mud guard" cardboard inserts (provided) when done.



Reinstall diffusers and turn power on to luminaire. **NOTE:** If part of a longer run, diffuser will be reinstalled back into original luminaire section as lengths vary.

Note: All power connections to be installed to local/national codes by a Certified Electrician.