

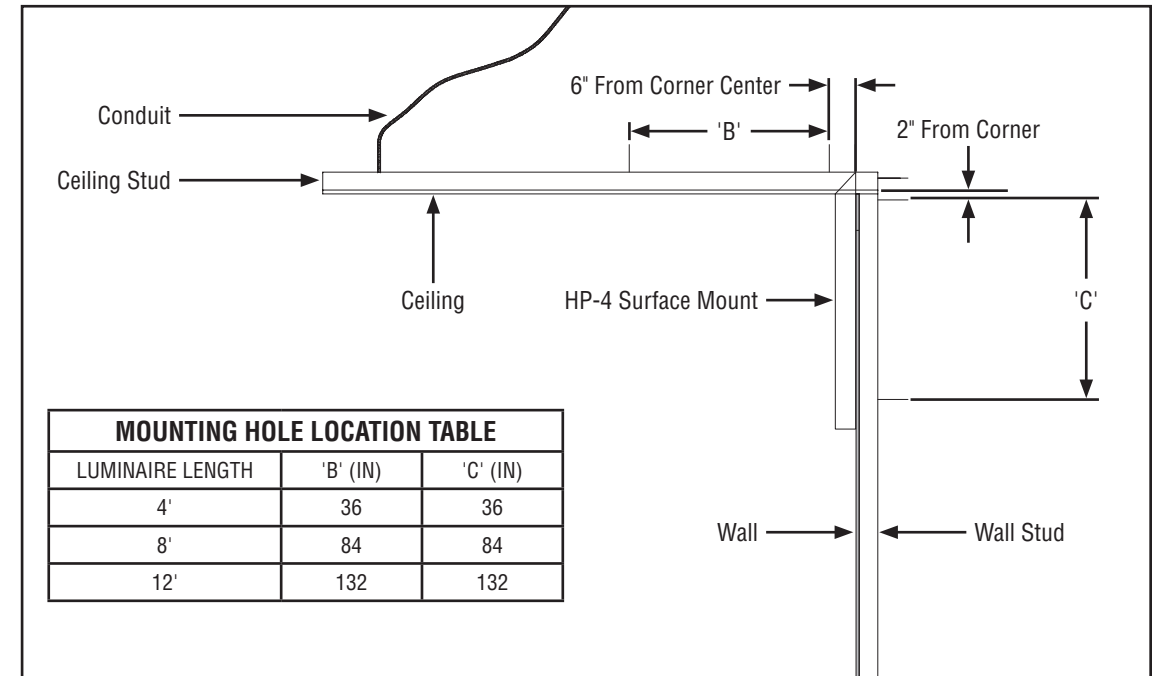
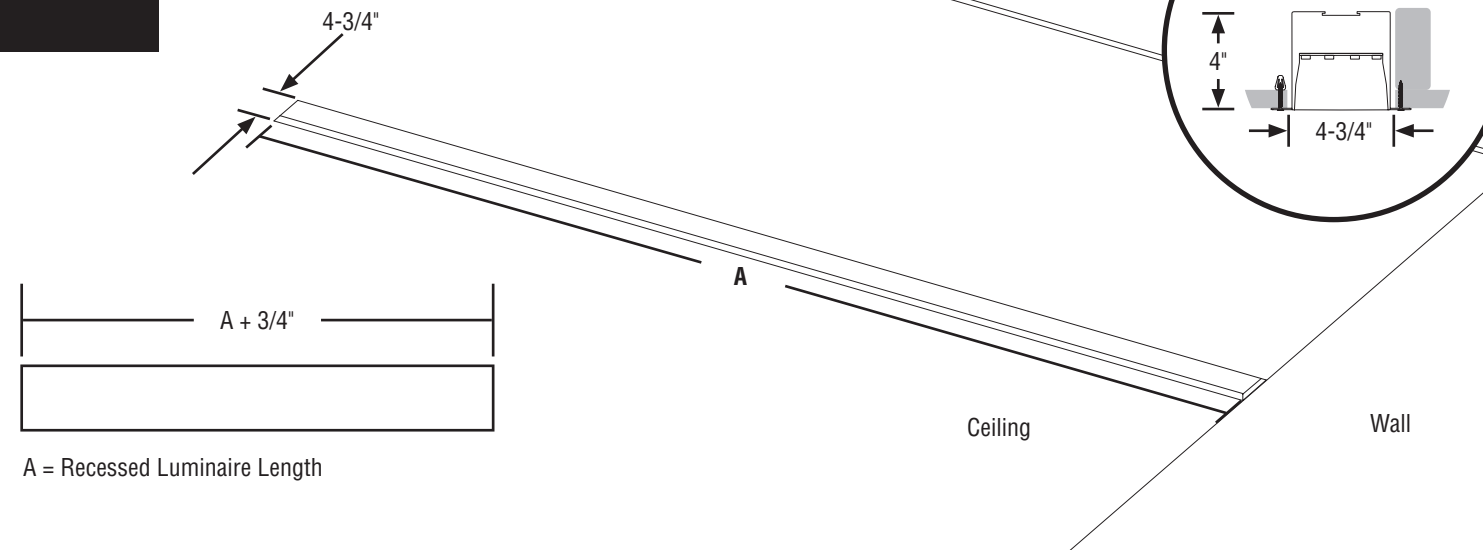
HP-4 Recessed Spackle Flange to Surface Mount Installation Instructions

Scan QR code for helpful video(s)



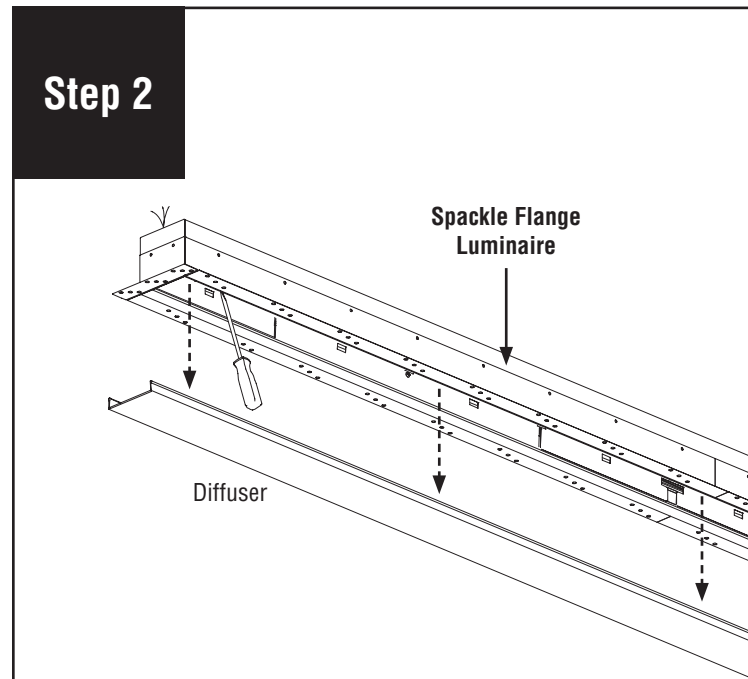
0 - 10V Dimming

Step 1



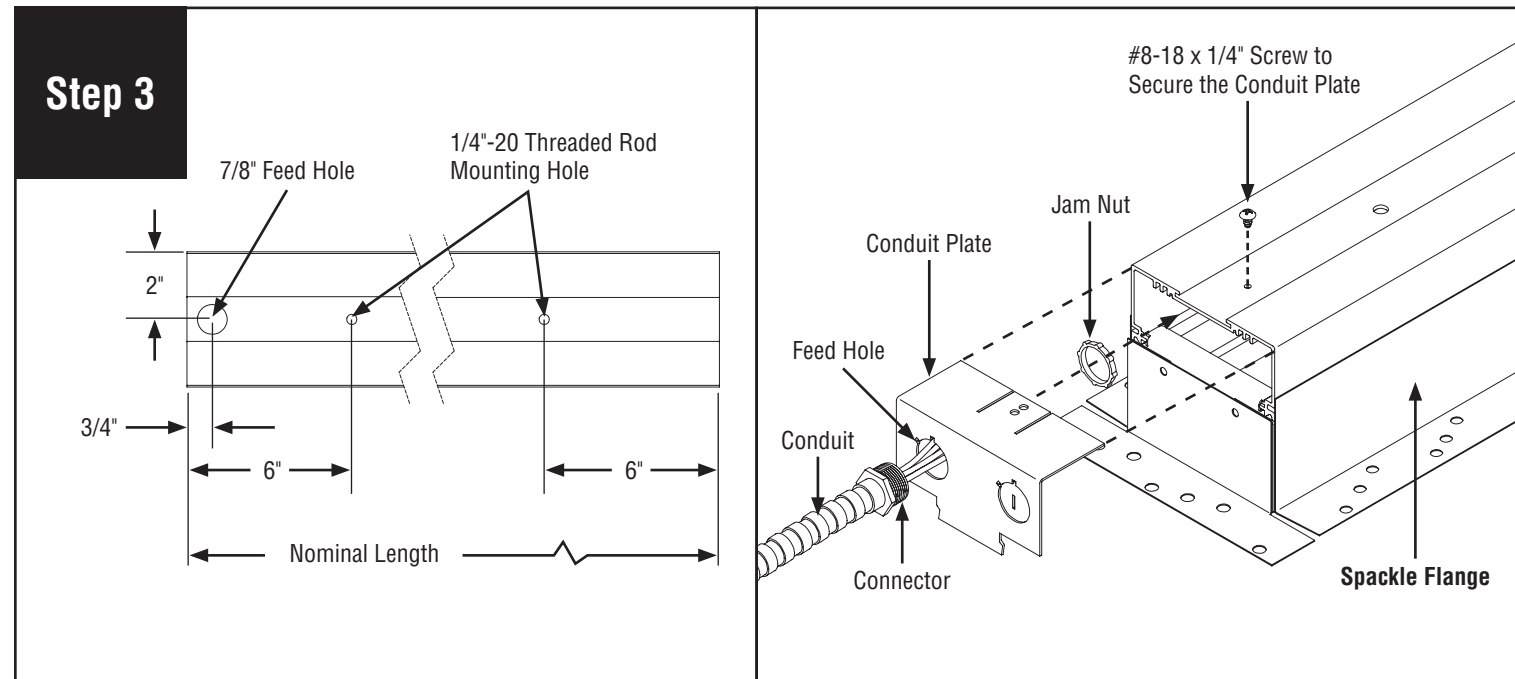
For recessed spackle flange rough in, add 3/4" to the body/row length (A), +/- 1/16" to simplify installation. Luminaire needs to be installed next to support blocking. Use mounting hole location table for mounting positions.

Step 2



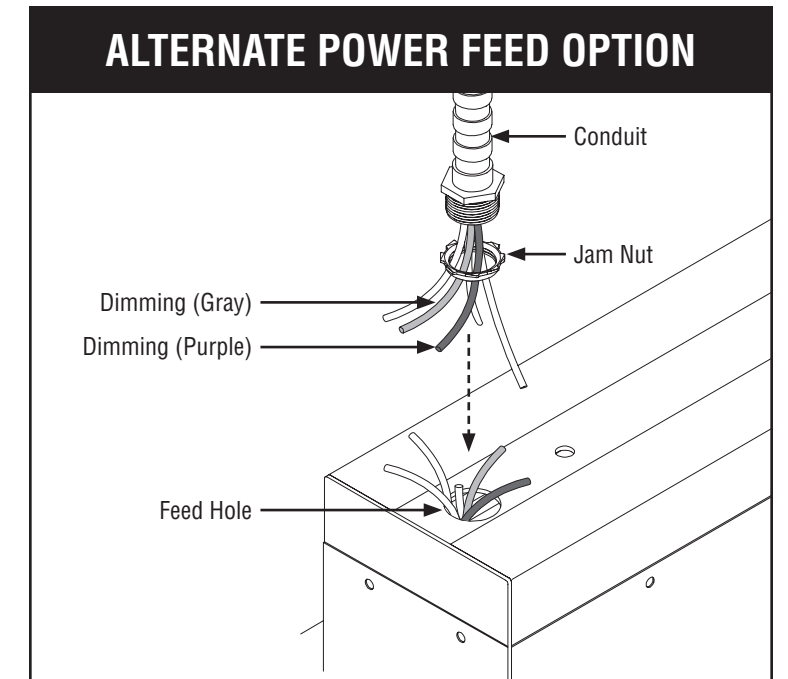
Remove diffuser from spackle flange luminaire and set aside to prevent it from getting dirty or damaged. **NOTE:** If part of a longer run, diffuser will be reinstalled back into original luminaire section as lengths vary.

Step 3



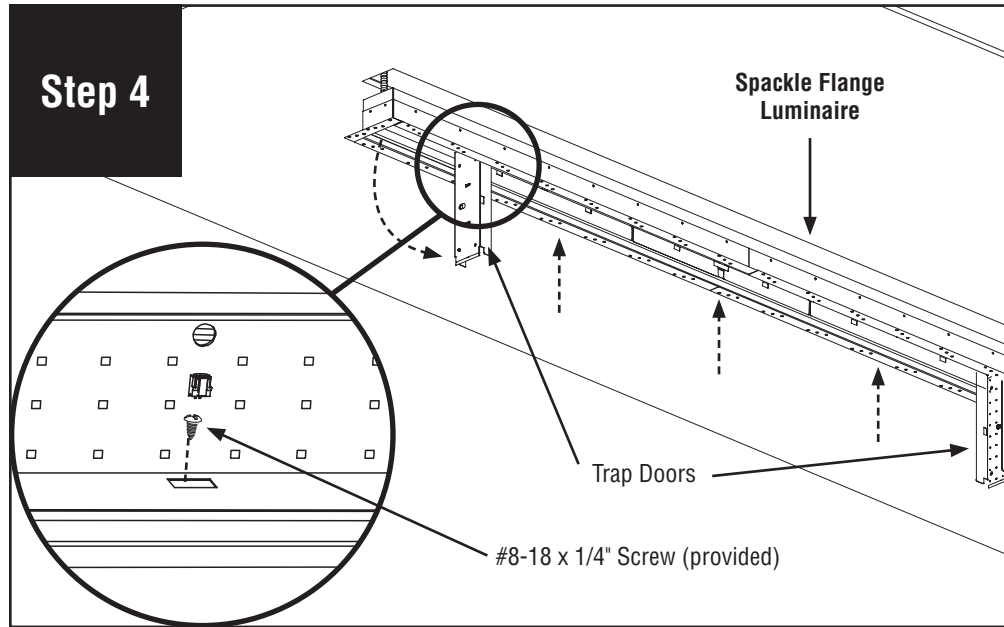
Refer to threaded rod and feed hole locations above before connecting luminaire wires. Remove jam nut from conduit then insert wires and connector through feed hole. **NOTE:** Purple and gray wires are for Low Voltage Control.

ALTERNATE POWER FEED OPTION

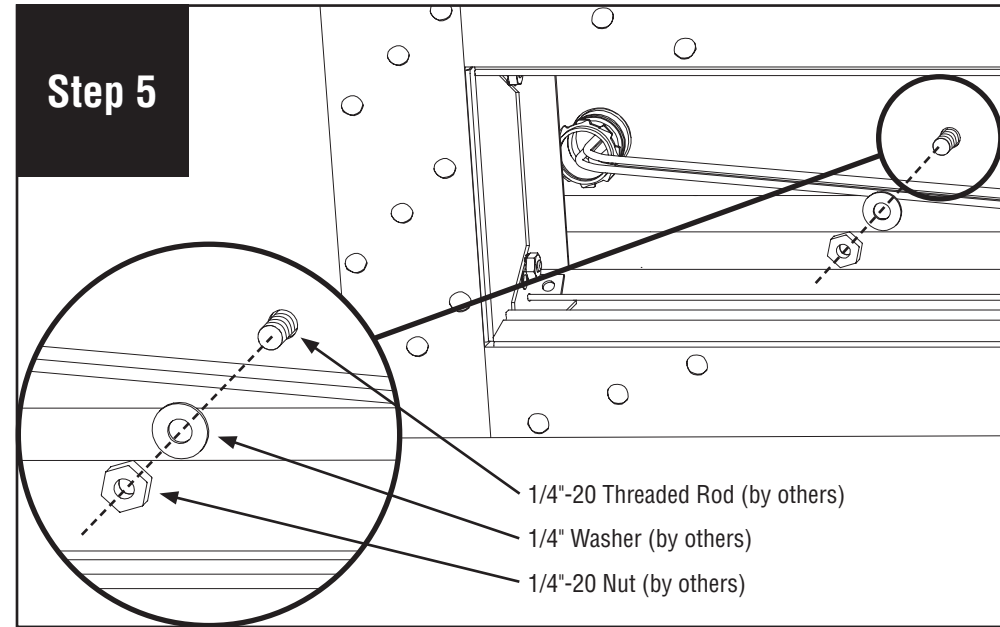


Note: All power connections to be installed to local/national codes by a Certified Electrician.

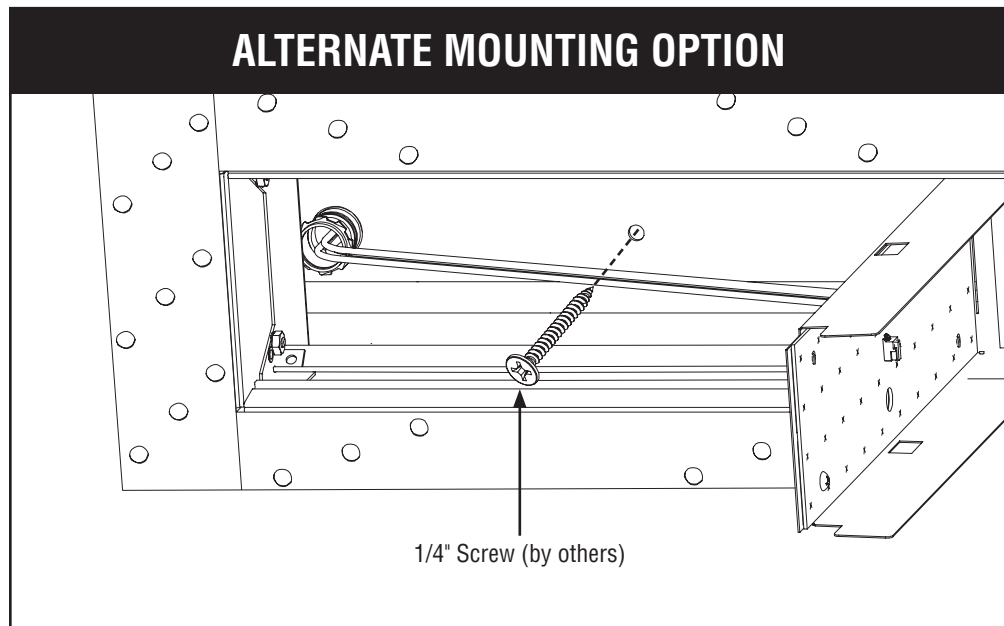
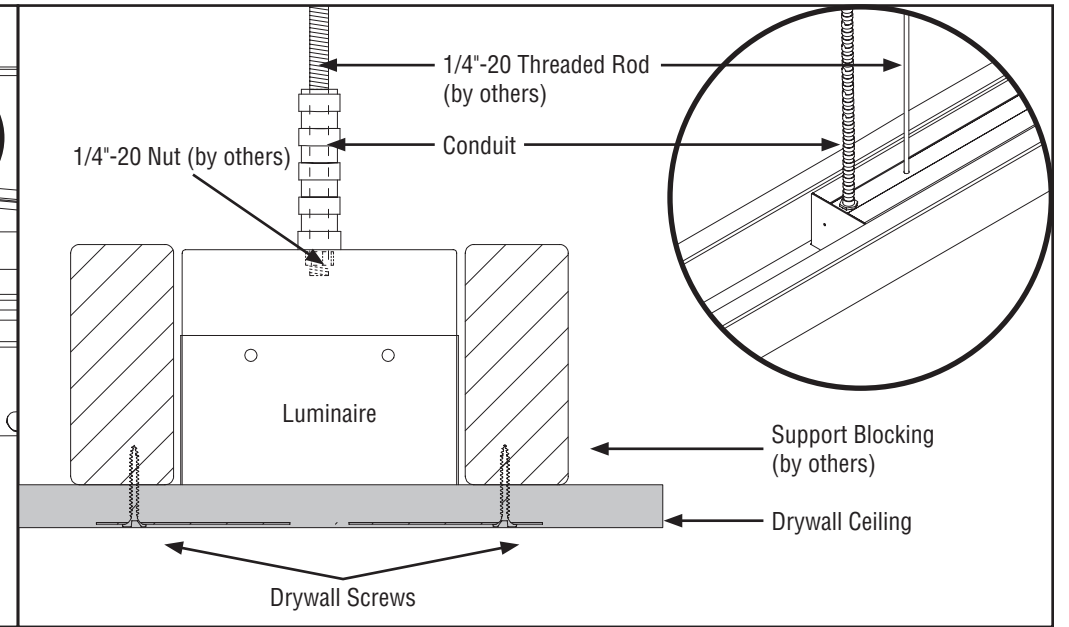
HP-4 Recessed Spackle Flange to Surface Mount Installation Instructions



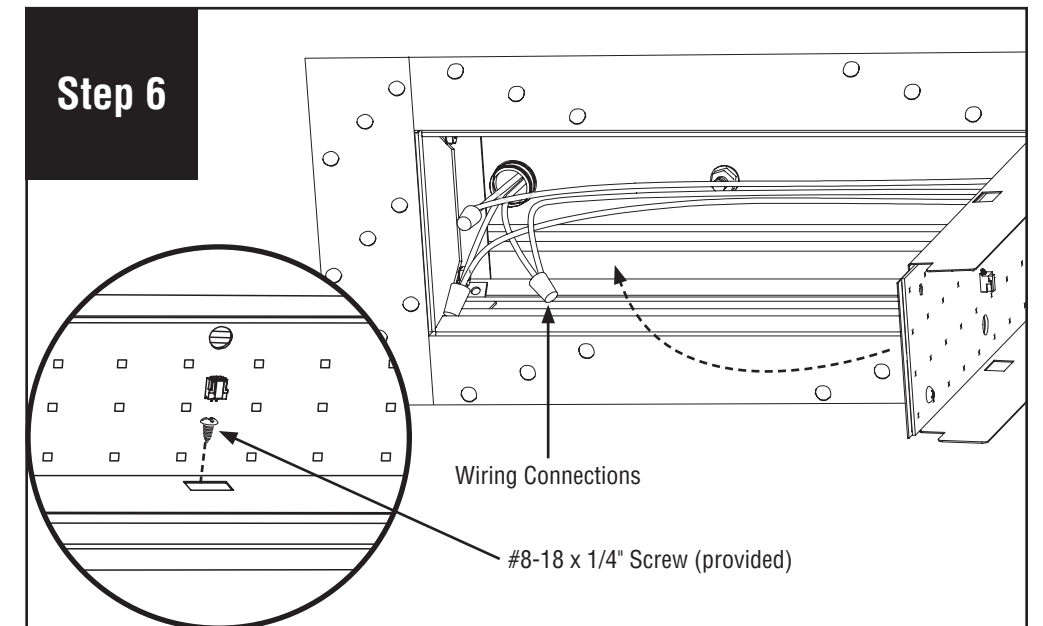
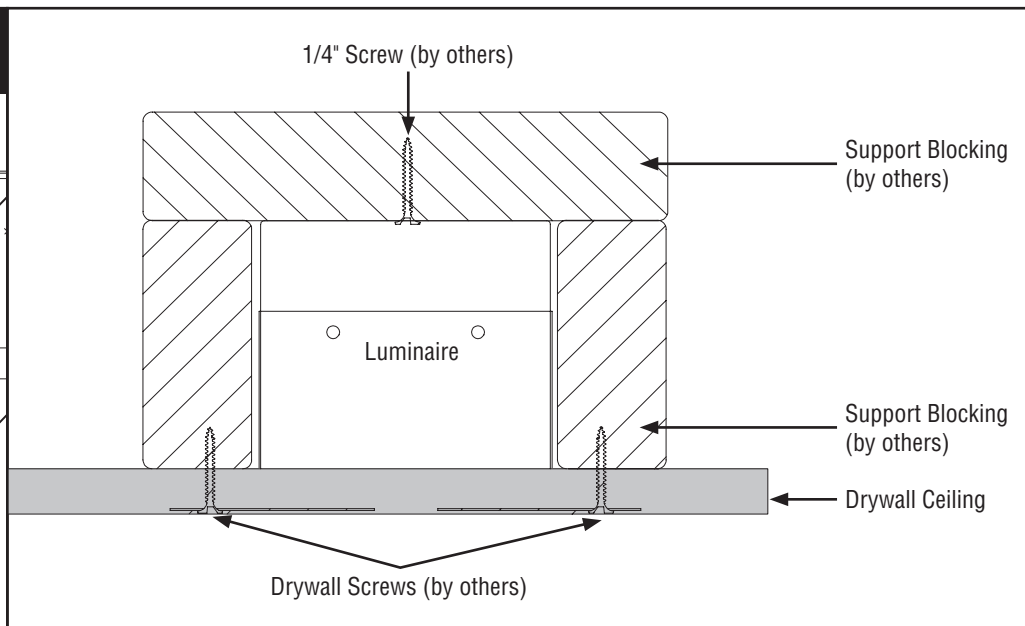
Remove #8-18 x 1/4" screw (provided) to open the trap doors at both ends of the luminaire. Align luminaire within rough opening in drywall and 1/4"-20 threaded rod (by others) and insert luminaire into ceiling.



Install jam nut onto connector. Install 1/4"-20 nut (by others) and 1/4" washer (by others) onto 1/4"-20 threaded rod (by others).



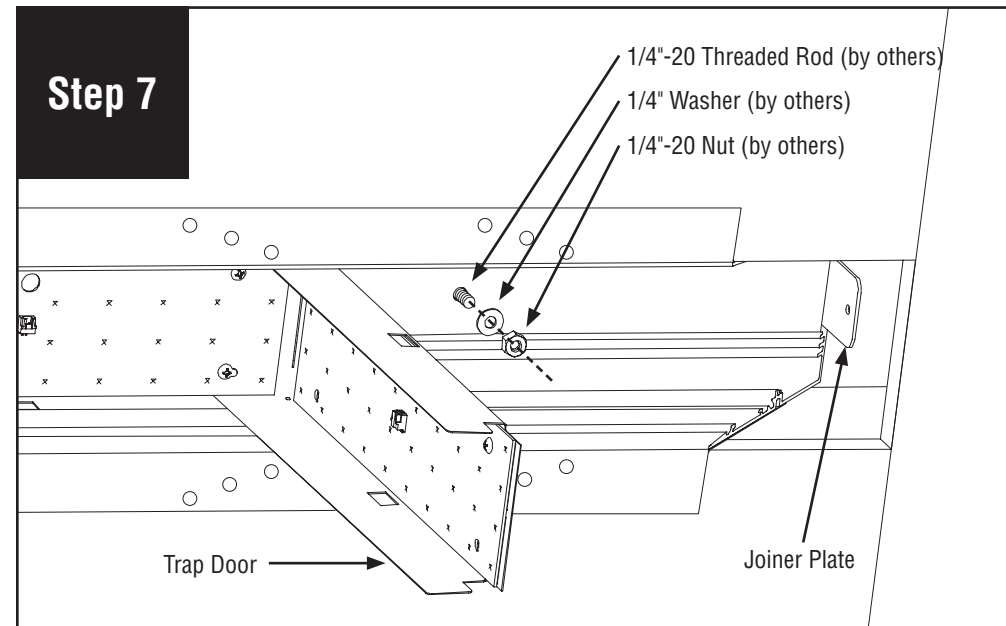
ALTERNATE MOUNTING OPTION: Install 1/4" screw (by others) through mounting hole into proper structurally supported blocking (by others).



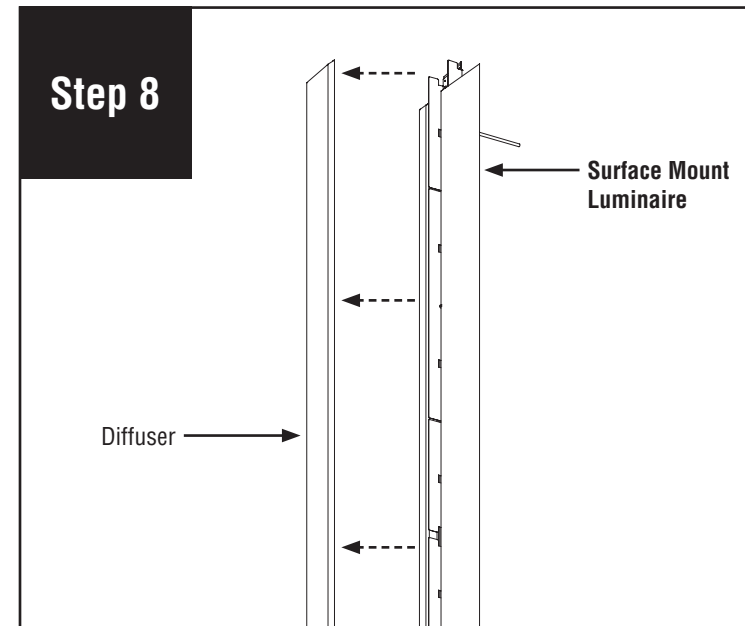
Make wiring connections and secure trap door with #8-18 x 1/4" screw (provided).

Note: All power connections to be installed to local/national codes by a Certified Electrician.

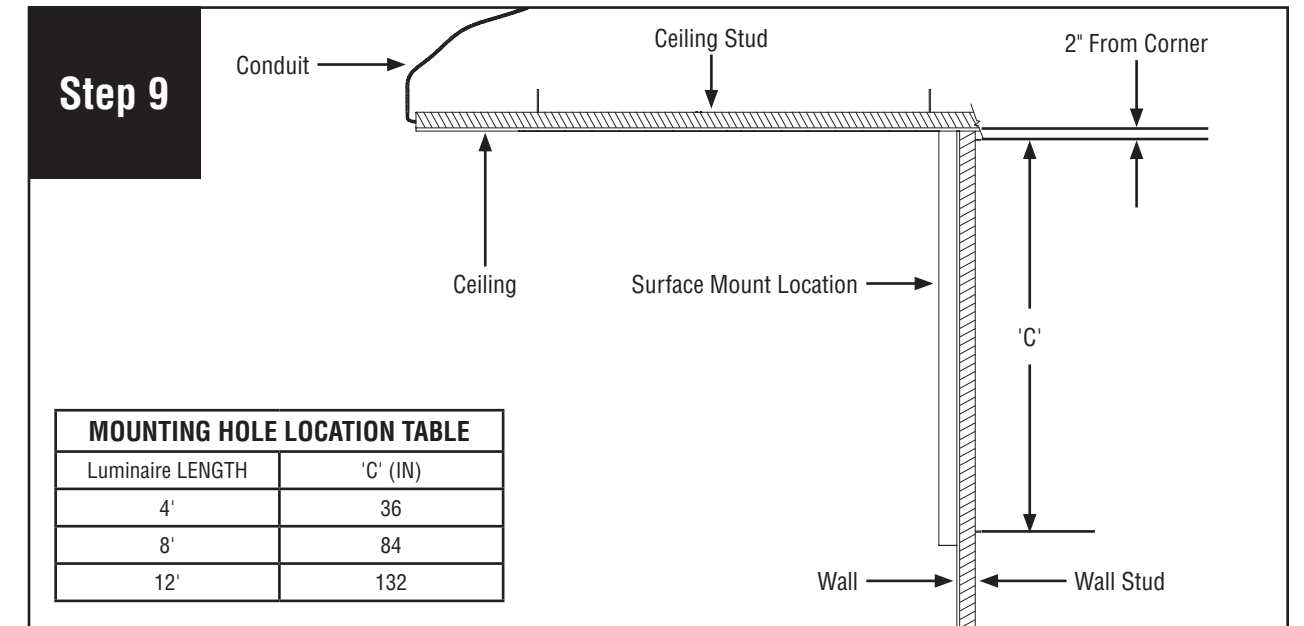
HP-4 Recessed Spackle Flange to Surface Mount Installation Instructions



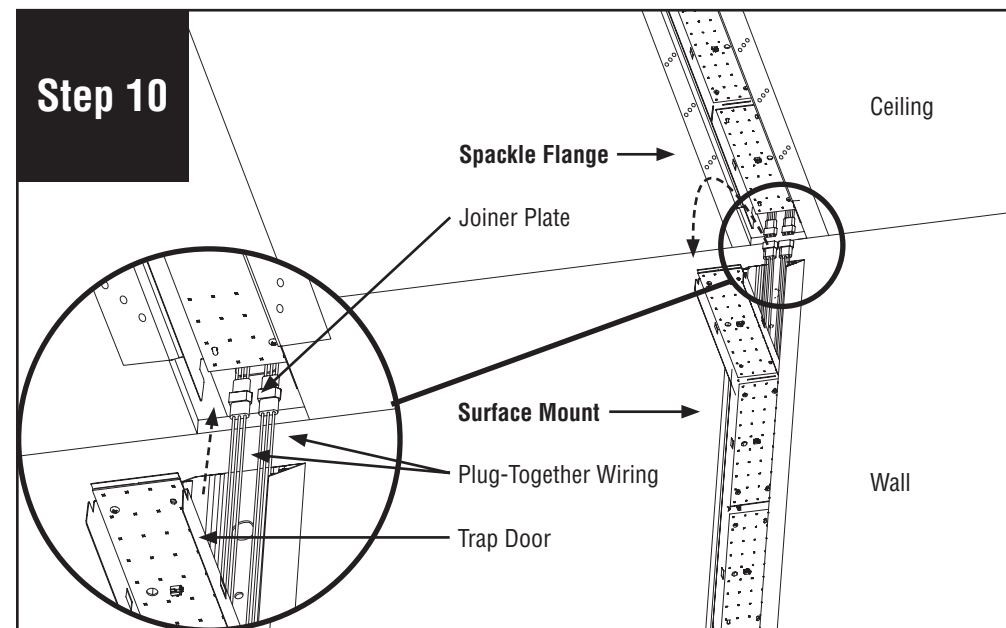
On opposite end of spackle flange luminaire, install 1/4"-20 nut (by others) and 1/4" washer (by others) onto 1/4"-20 threaded rod (by others) or use alternate mounting option (use fastener and washer compatible to structural blocking to secure luminaire).



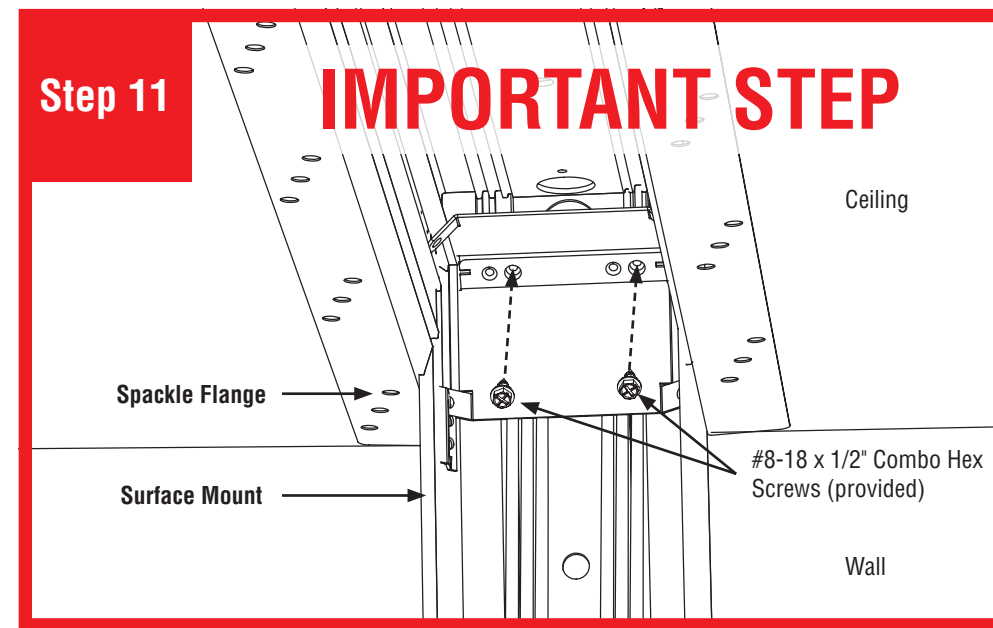
Remove diffuser from surface mount and set aside to prevent it from getting dirty or damaged.



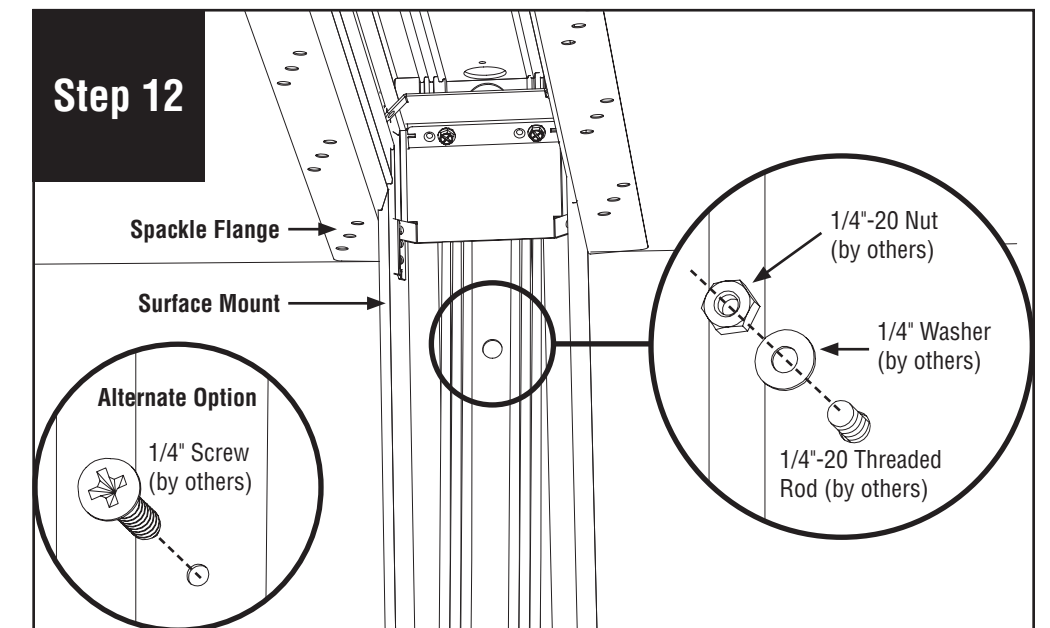
Indicate where surface mount luminaire will be installed. Ensure proper backing (by others).



Remove #8-18 x 1/4" screw (provided) to open trap door at both ends of the surface mount. Connect plug-together wiring and slide luminaires together. Align joiner plate with top channel of luminaire.



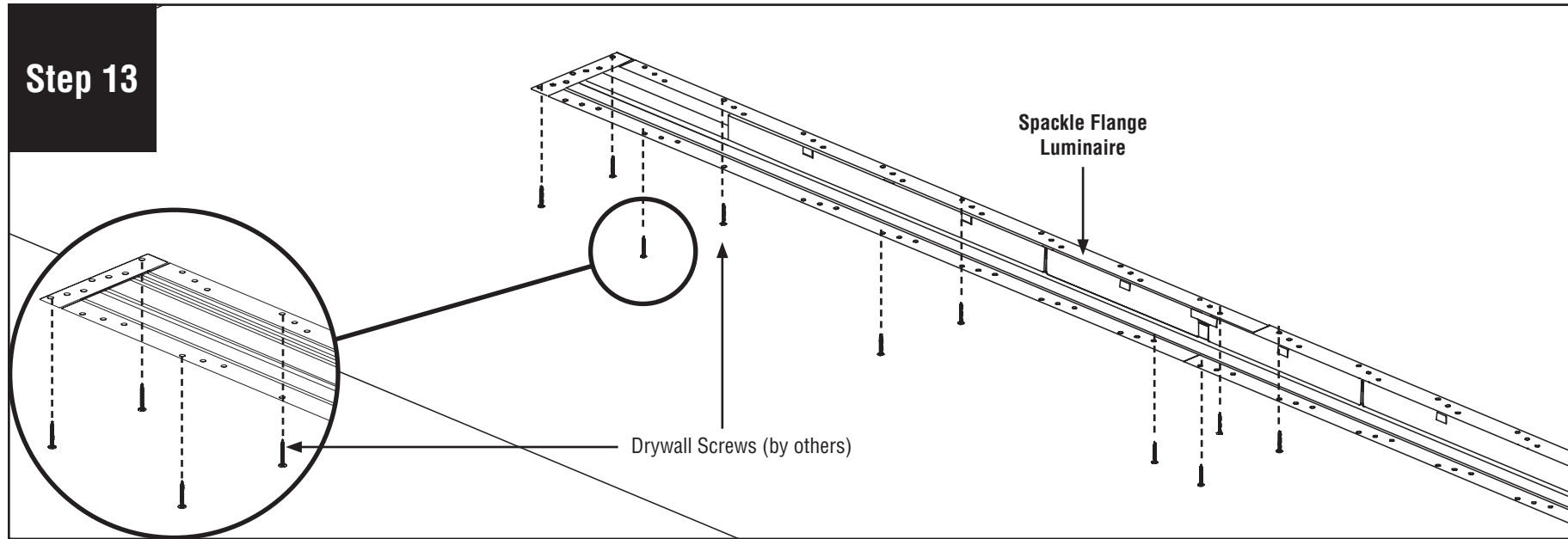
IMPORTANT STEP: Install 2 #8-18 x 1/2" combo hex screws (provided) into end brackets as shown. Screws can be installed from the left or right. **CAUTION: Do not over-tighten.**



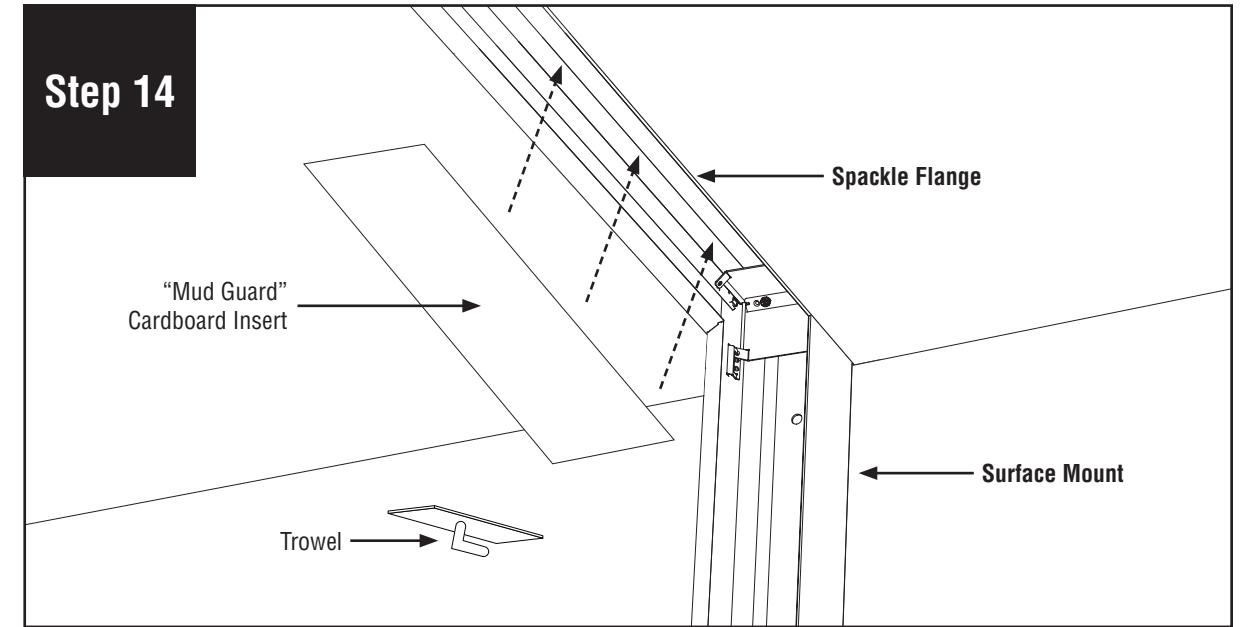
Install 1/4"-20 nut (by others) and 1/4" washer (by others) onto 1/4"-20 threaded rod (by others) or use alternate mounting option. Replace spackle flange and surface mount trap doors and fasten with #8-18 x 1/4" screws (provided).

Note: All power connections to be installed to local/national codes by a Certified Electrician.

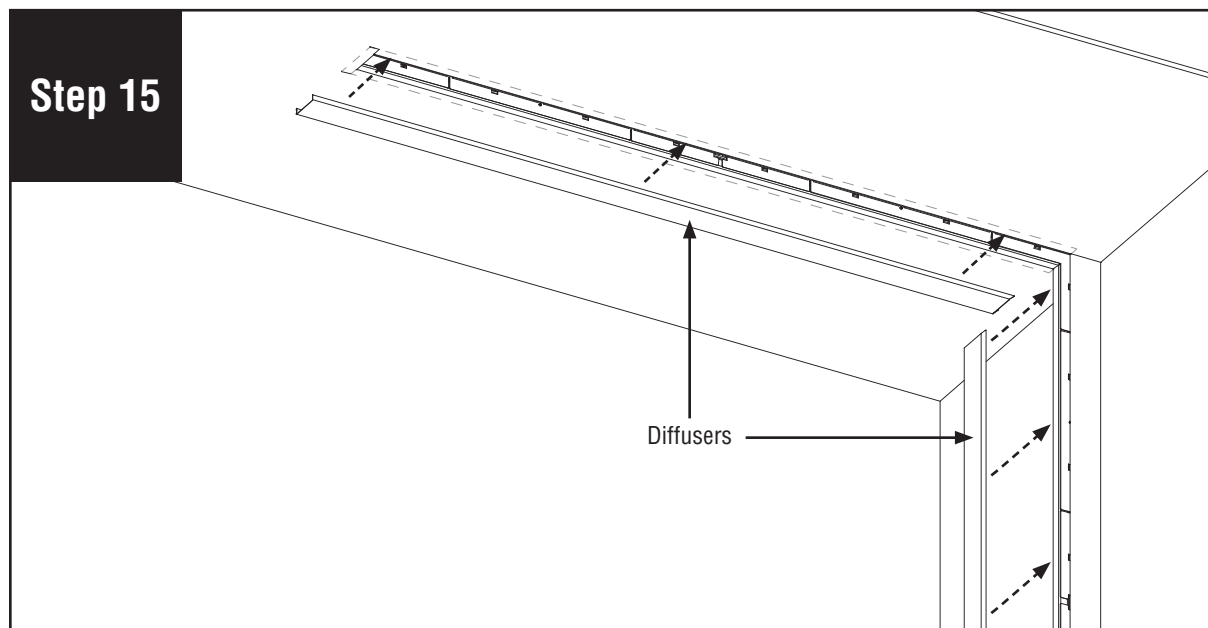
HP-4 Recessed Spackle Flange to Surface Mount Installation Instructions



Fasten spackle flange luminaire to the ceiling with drywall screws (by others) through flange into blocking.



Install the "mud guards" cardboard inserts (provided) to help prevent spackle from getting into the luminaire. Use spackle to cover up the flange before reinstalling the diffuser.



Once the spackling is complete, remove the mud guards, reinstall diffusers, and turn power on to the luminaires.
NOTE: If part of a longer run, diffuser will be reinstalled back into original luminaire section as lengths vary.

Note: All power connections to be installed to local/national codes by a Certified Electrician.