
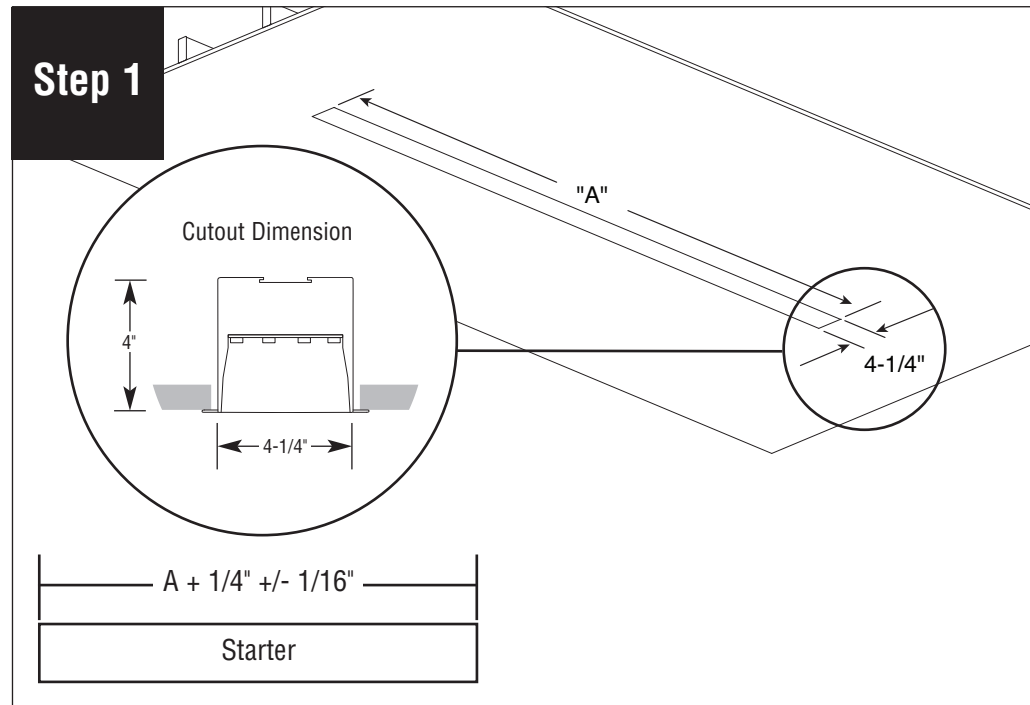


HP-4 Recessed Flush Diffuser Visible Flange Starter/Independent Installation Instructions

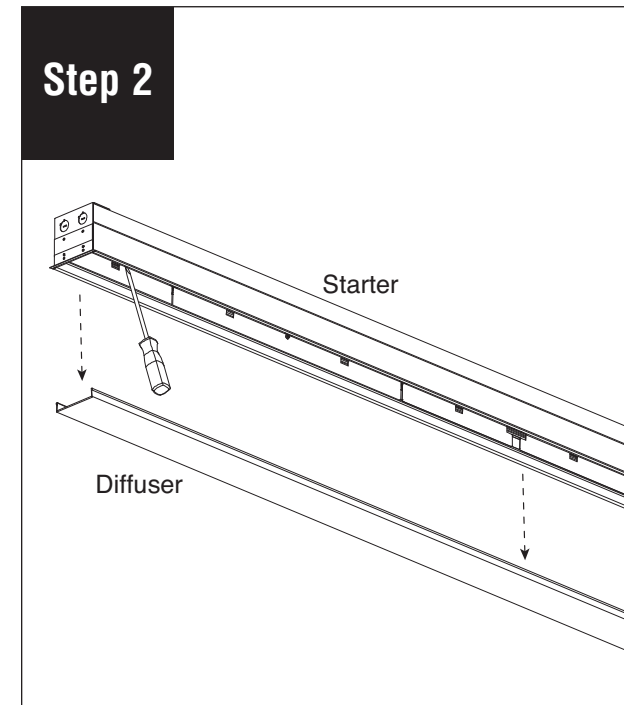
Scan QR code for helpful video(s)



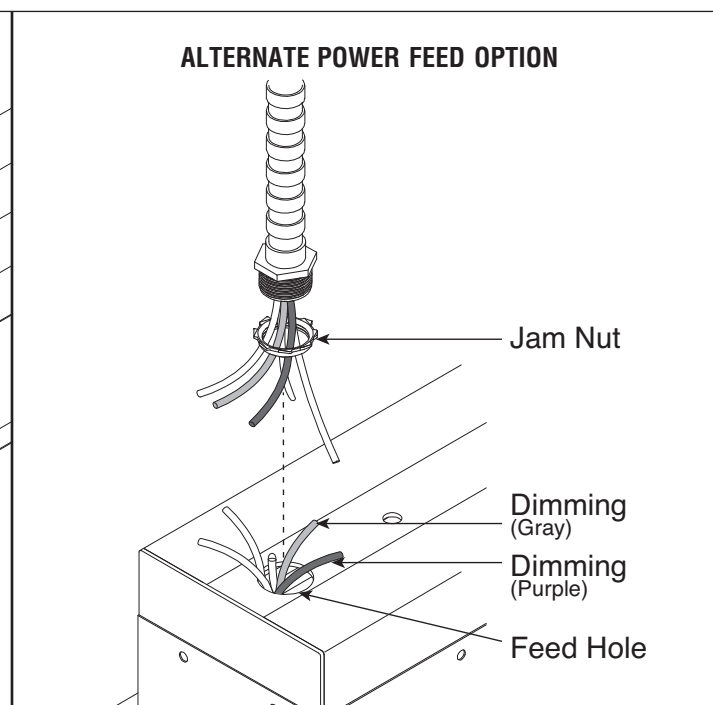
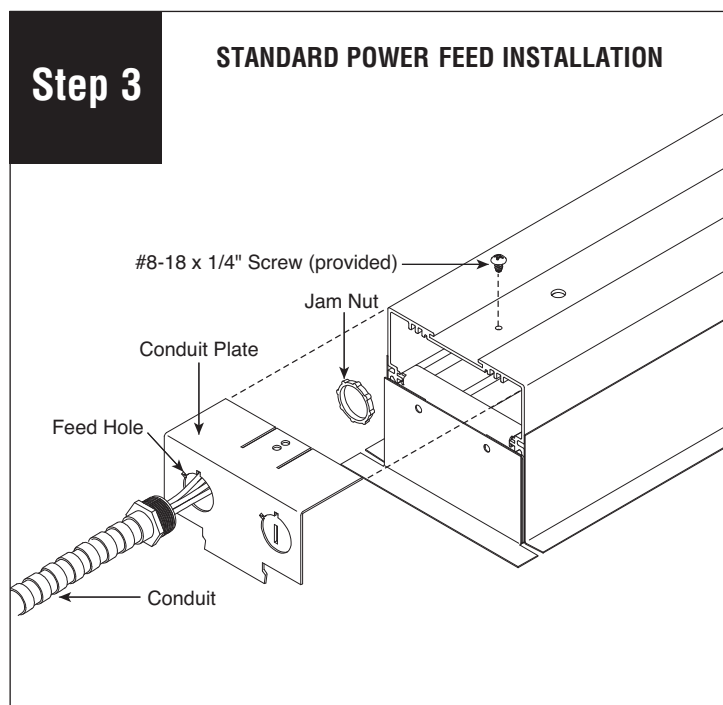
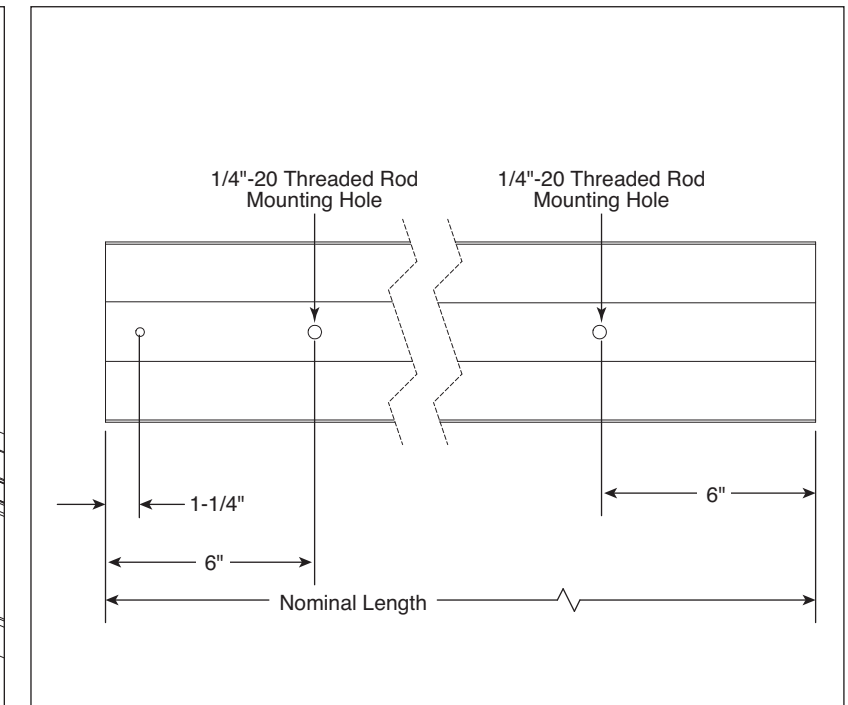
0 - 10V Dimming



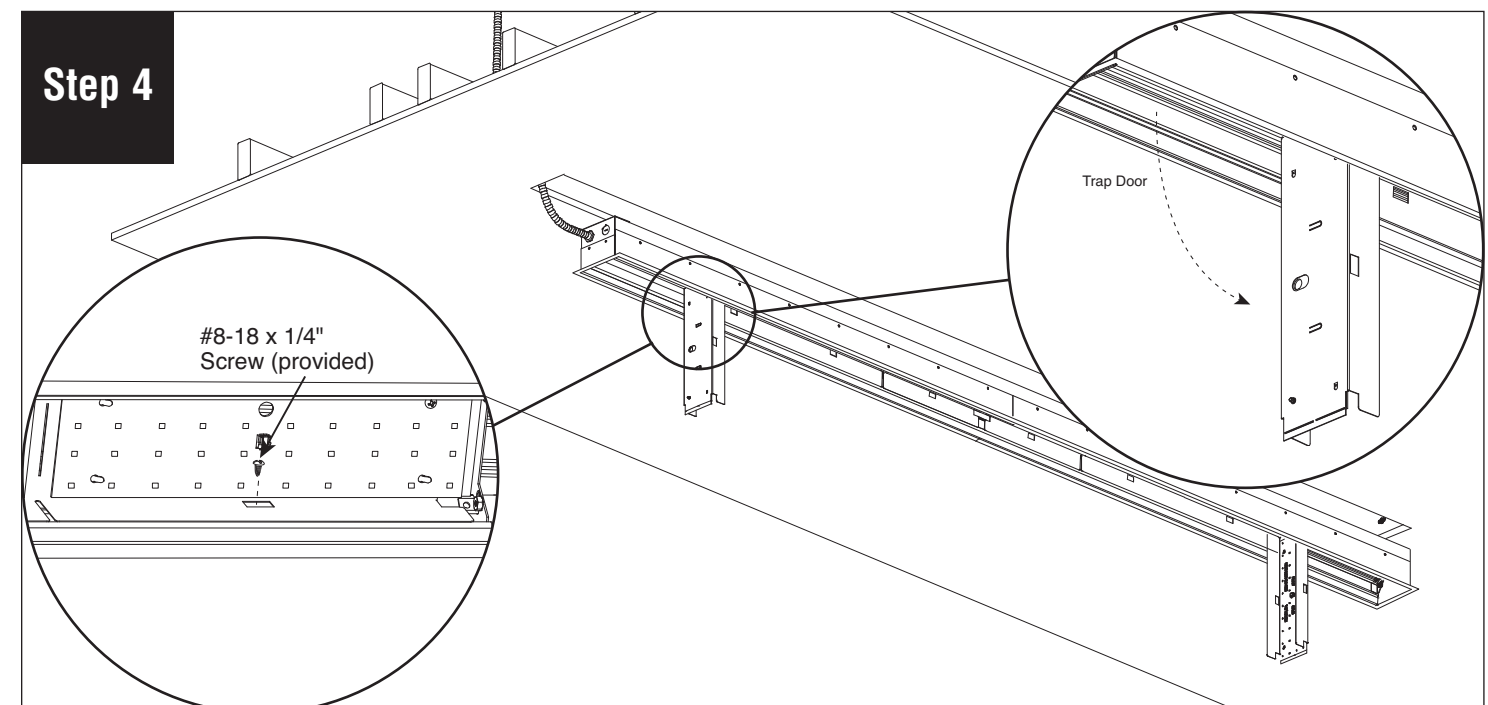
Add 1/4" to body/row length (**A**), +/- 1/16" to simplify installation. Luminaire needs to be installed next to support blocking.



Remove diffuser and set aside to prevent from getting dirty or damaged. Refer to threads and feed hole locations above before connecting luminaire wires.



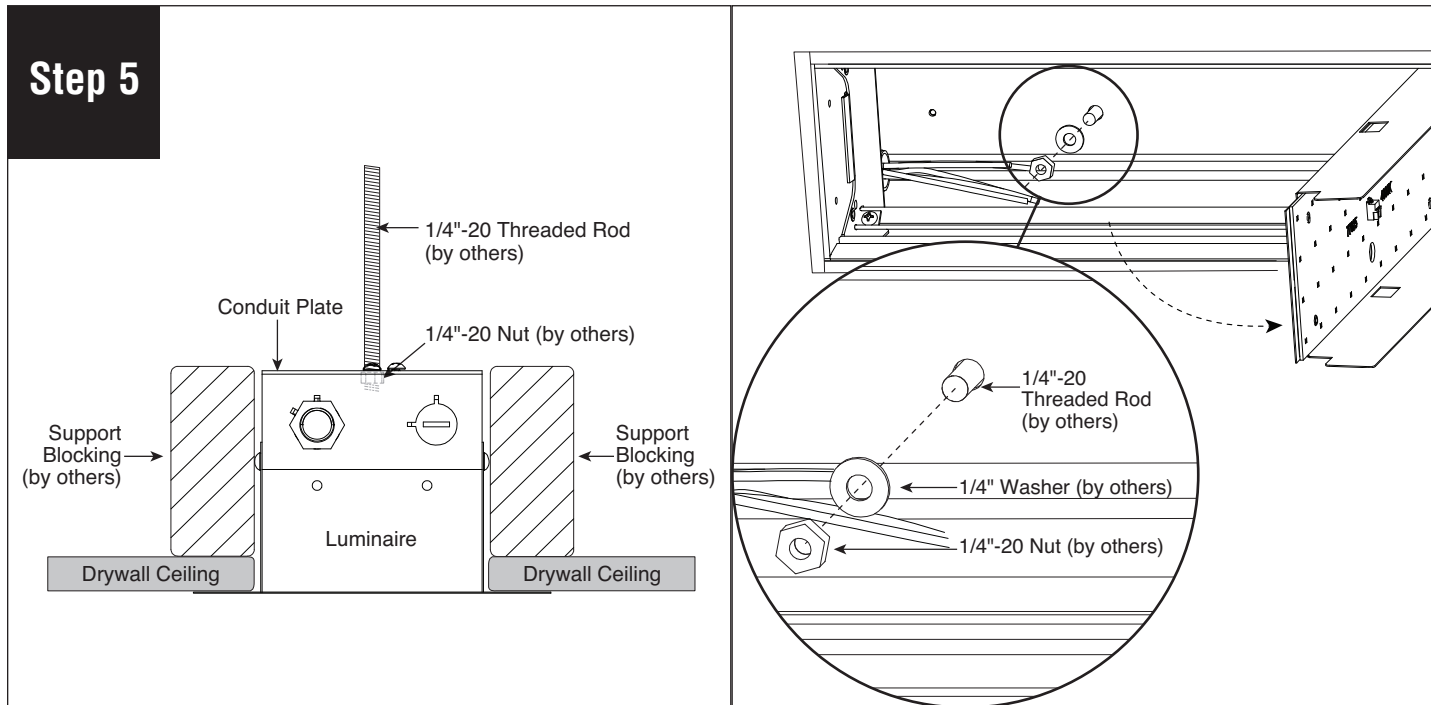
Remove jam nut from conduit then insert wires and connector through feed hole. **NOTE:** Purple and gray wires are for Low Voltage Control.



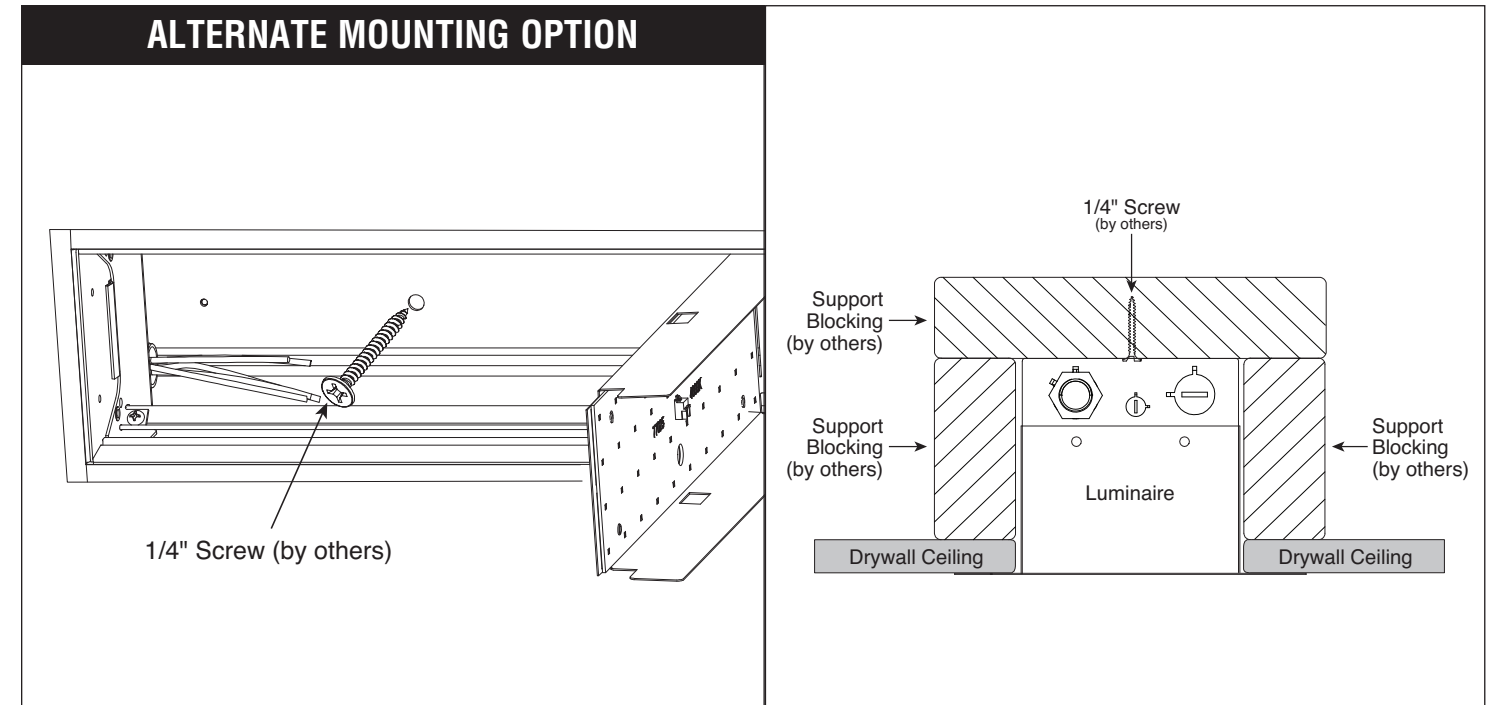
Remove #8-18 x 1/4" screw to open trap door at both ends and align luminaire within rough opening in drywall and 1/4"-20 threaded rod (by others).

Note: All power connections to be installed to local/national codes by a Certified Electrician.

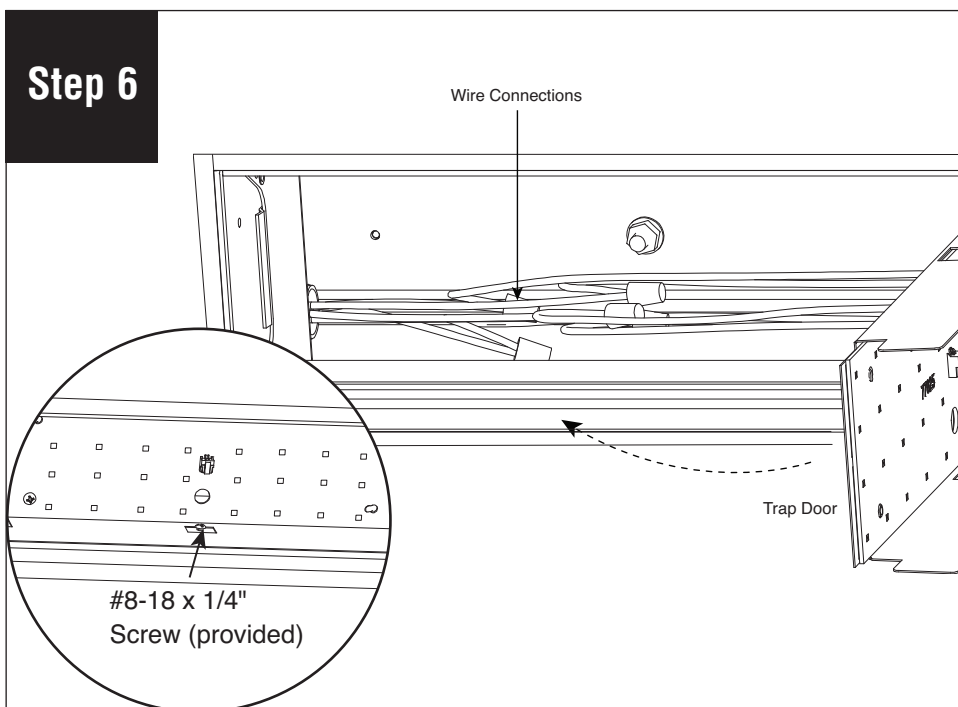
HP-4 Recessed Flush Diffuser Visible Flange Starter/Independent Installation Instructions



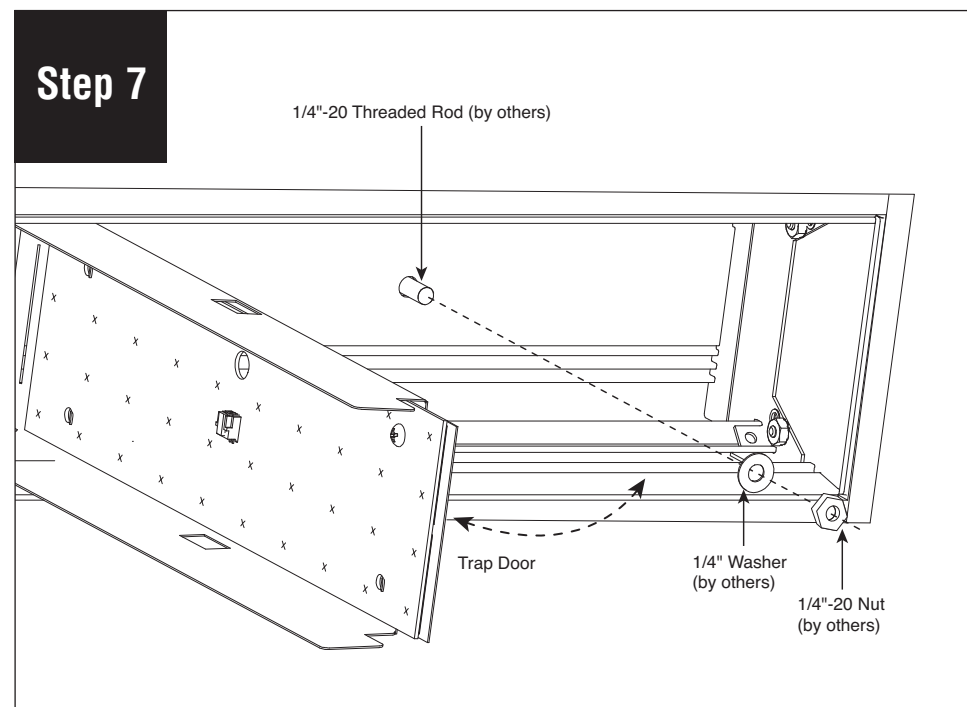
Secure luminaire to structure using 1/4"-20 threaded rod (by others). Install jam nut onto connector. Install 1/4"-20 nut (by others) and 1/4" washer (by others) onto 1/4"-20 threaded rod (by others).



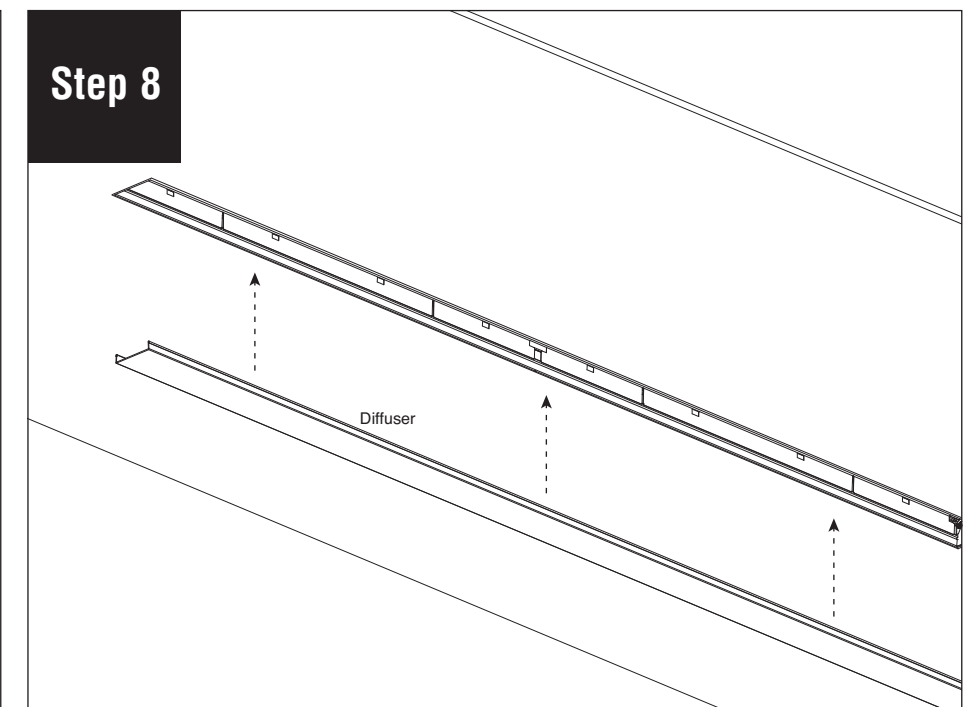
ALTERNATE MOUNTING OPTION: Install 1/4" screw (provided by others) through mounting hole into proper structurally supported blocking (by others).



Make wire connections and secure with #8-18 x 1/4" screw (provided).



On opposite end of luminaire, open trap door. Install 1/4"-20 nut (by others) and 1/4" washer (by others) onto 1/4"-20 threaded rod (by others) or use **ALTERNATE MOUNTING**. Replace trap door and fasten with #8-18 x 1/4" screws (provided).




Reinstall diffuser and turn power on to luminaire. **NOTE:** If part of a longer run, diffuser will be reinstalled back into original luminaire section as lengths vary.

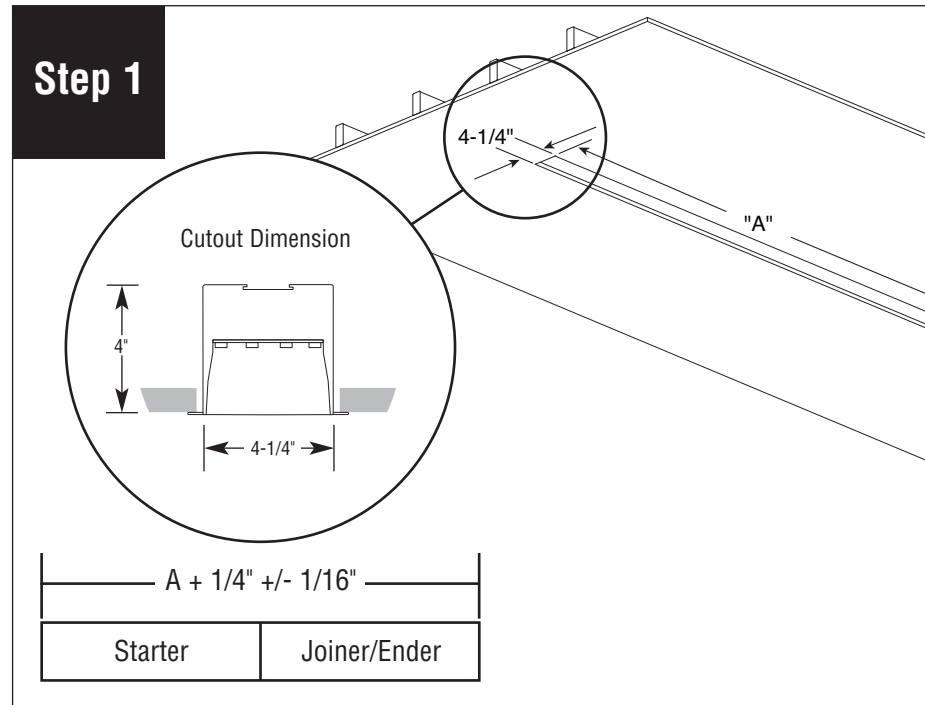
Note: All power connections to be installed to local/national codes by a Certified Electrician.

HP-4 Recessed Flush Diffuser Visible Flange Joiner/Ender Installation Instructions

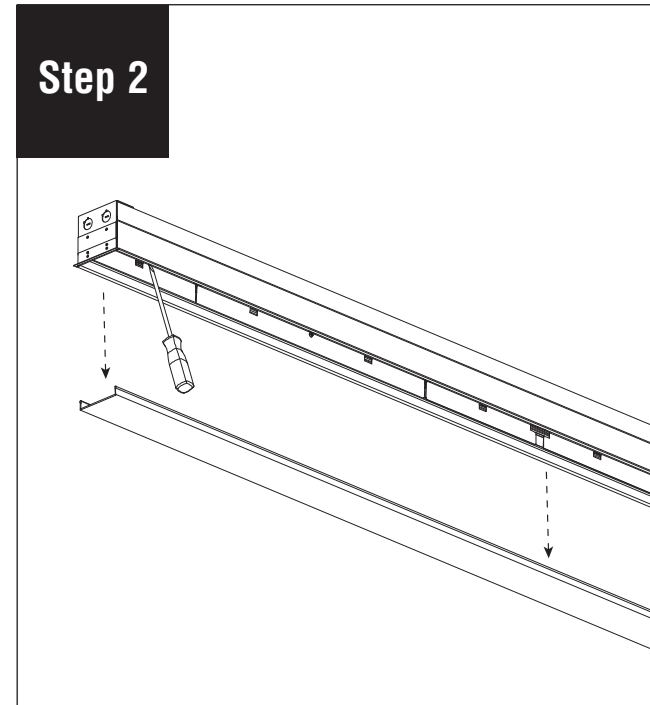
Scan QR code for helpful video(s)



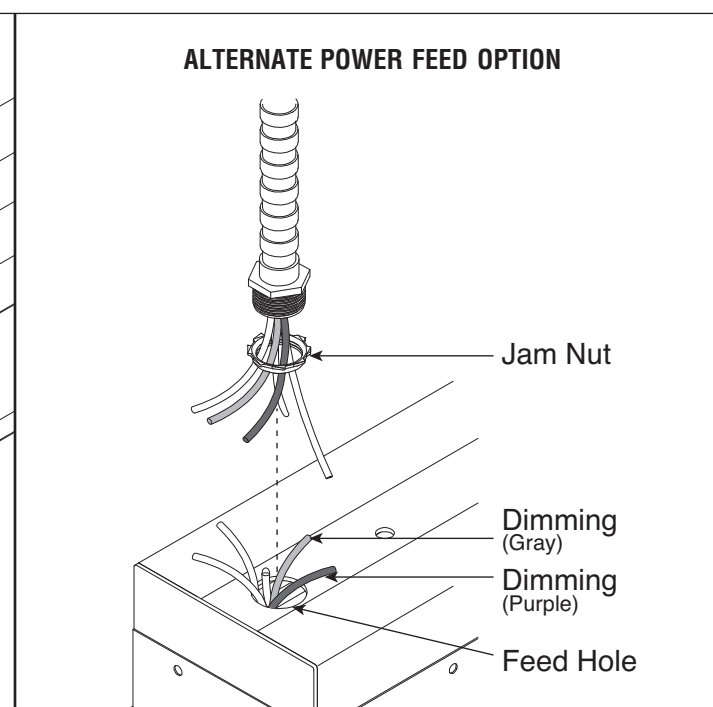
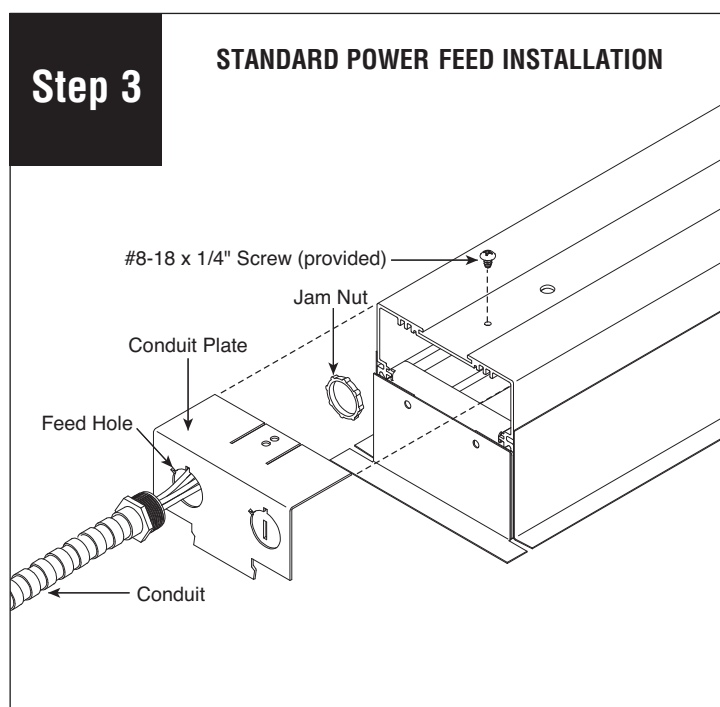
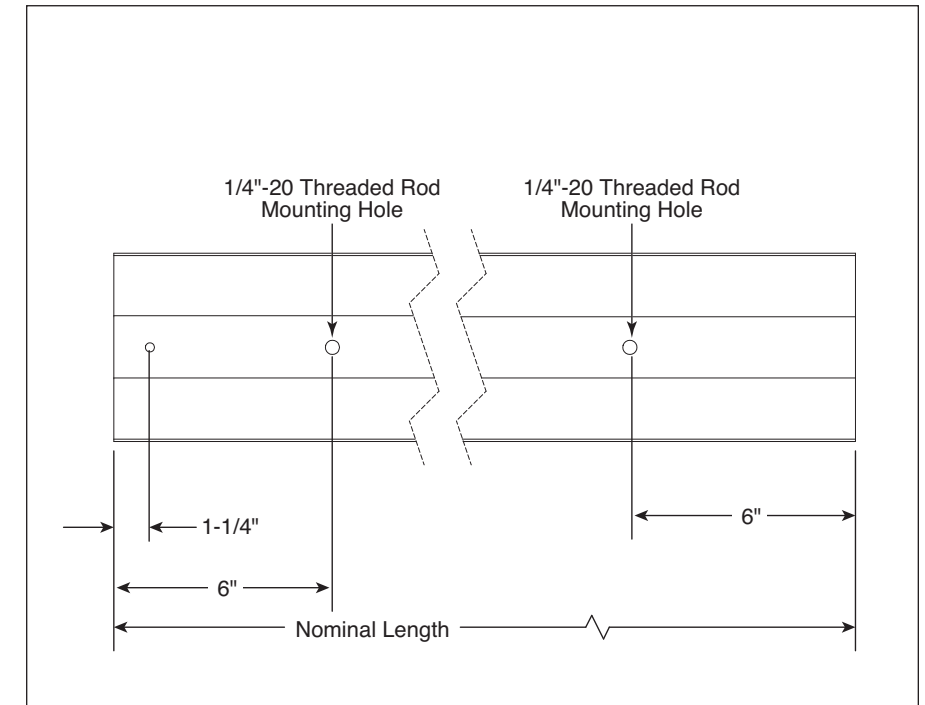
0 - 10V Dimming



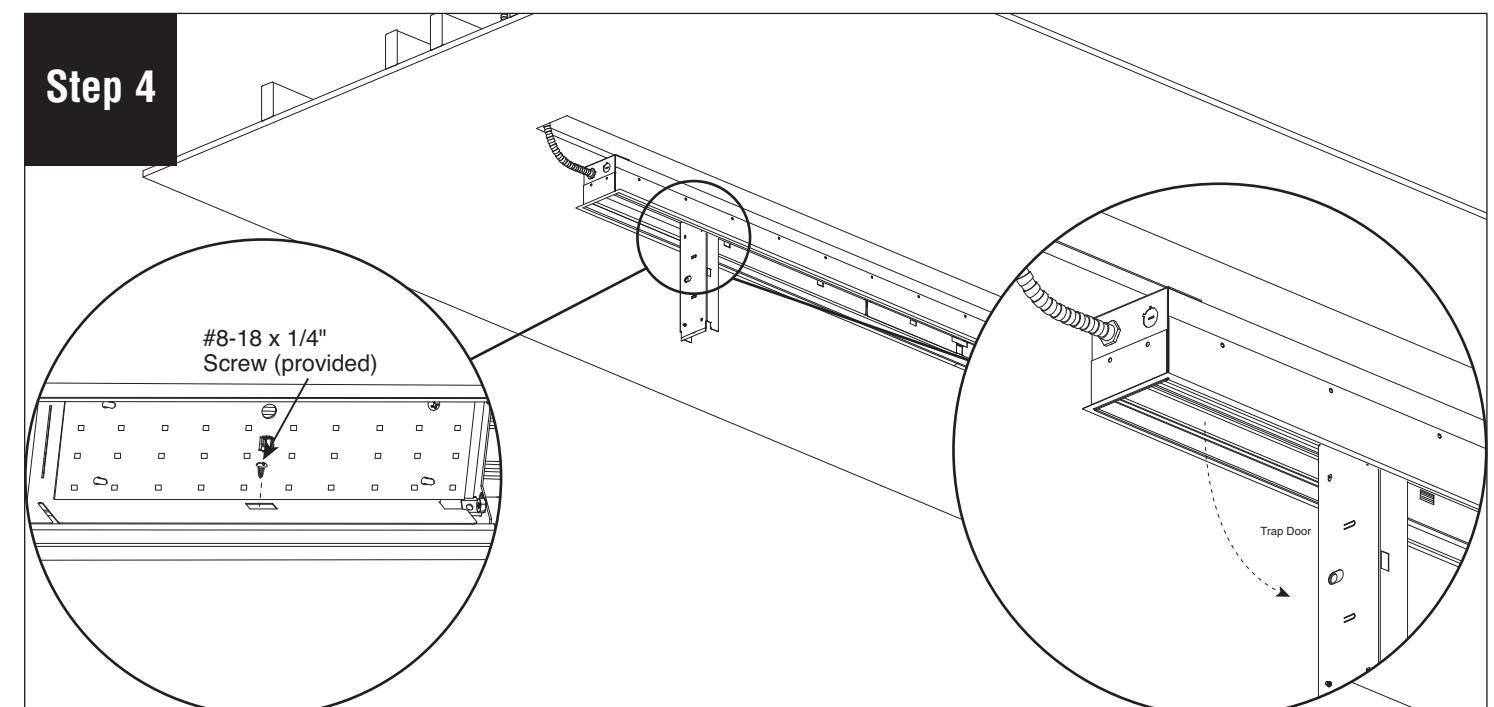
Add 1/4" to body/row length (A), +/- 1/16" to simplify installation. Luminaire needs to be installed next to support blocking.



Remove diffuser from starter and joiner/ender and set aside to prevent from getting dirty or damaged. Refer to threads and feed hole locations above before connecting luminaire wires. **NOTE:** If part of a longer run, diffuser will be reinstalled back into original luminaire section as lengths vary.



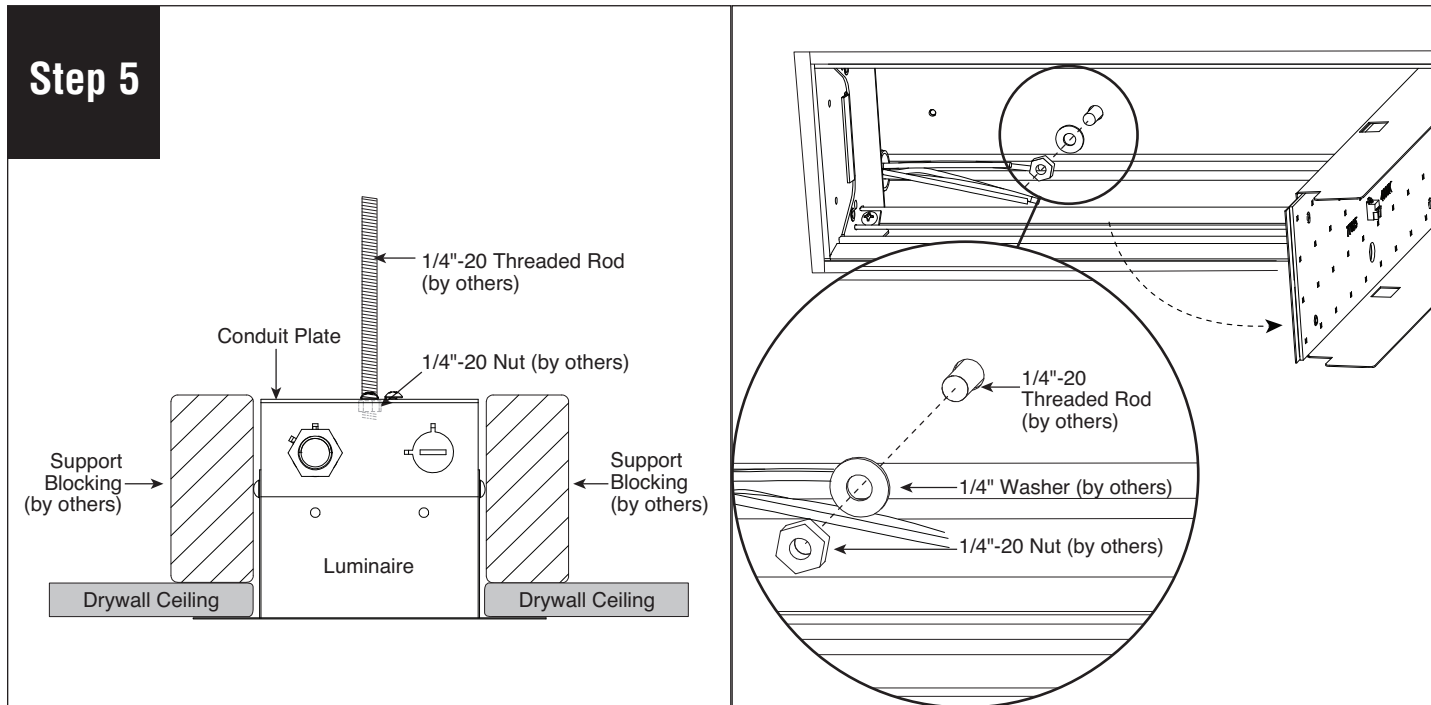
Remove jam nut from conduit then insert wires and connector through feed hole. **NOTE:** Purple and gray wires are for Low Voltage Control.



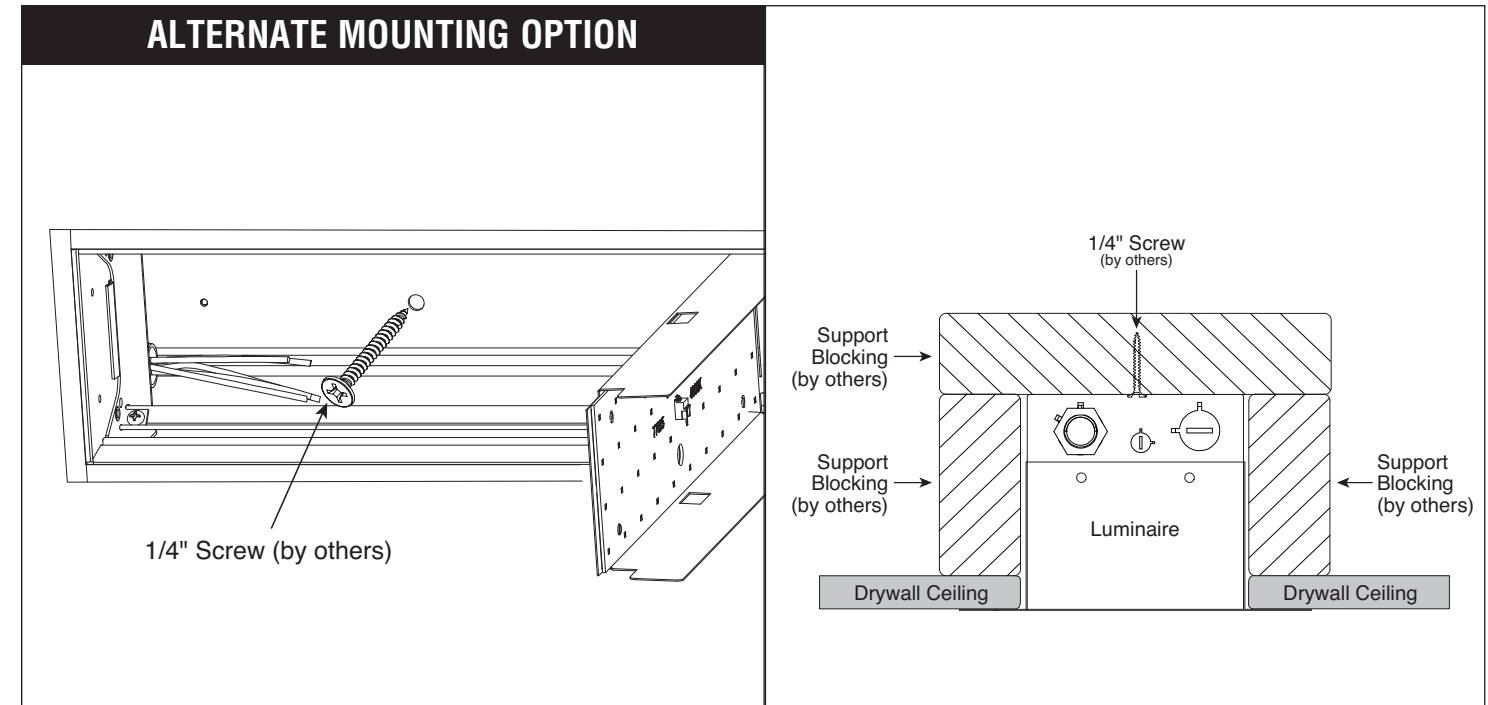
Remove #8-18 x 1/4" screw to open trap door at both ends and align luminaire within rough opening in drywall and 1/4"-20 threaded rod (by others). **NOTE:** When adding a joiner/ender, allow the luminaire to hang below ceiling while still having it supported by the threaded rod, washers and nuts.

Note: All power connections to be installed to local/national codes by a Certified Electrician.

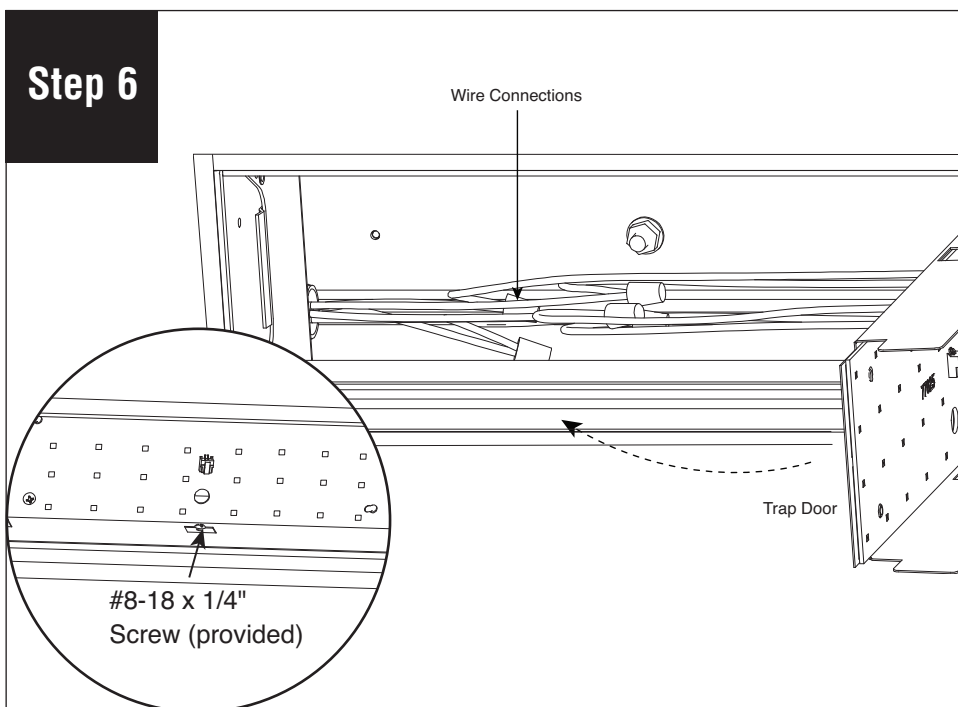
HP-4 Recessed Flush Diffuser Visible Flange Joiner/Ender Installation Instructions



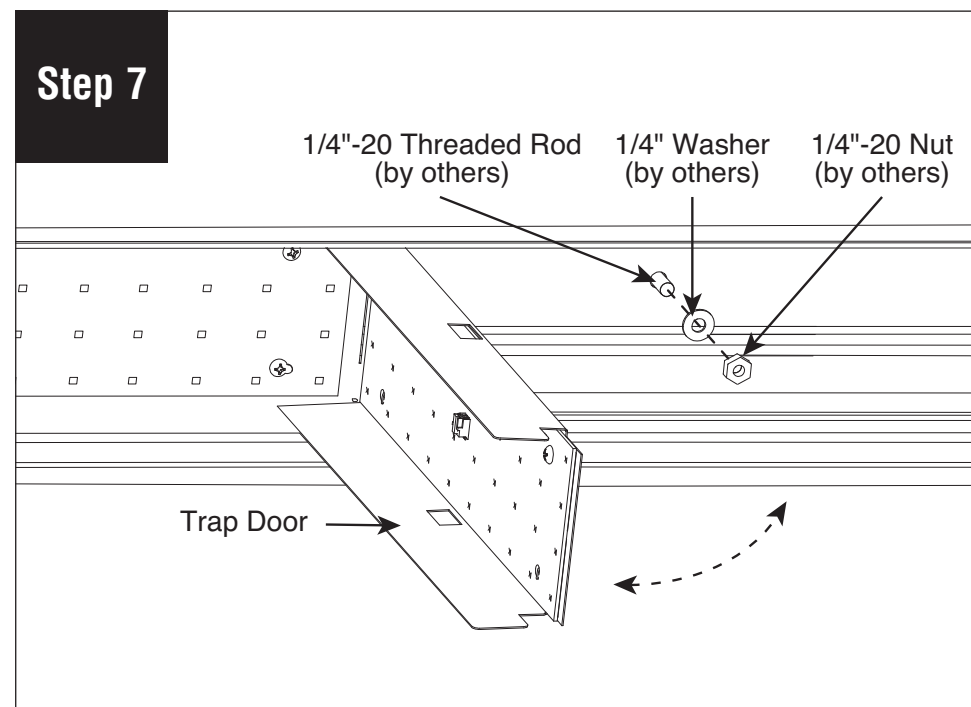
Secure luminaire to structure using 1/4"-20 threaded rod (by others). Install jam nut onto connector. Install 1/4"-20 nut (by others) and 1/4" washer (by others) onto 1/4"-20 threaded rod (by others).



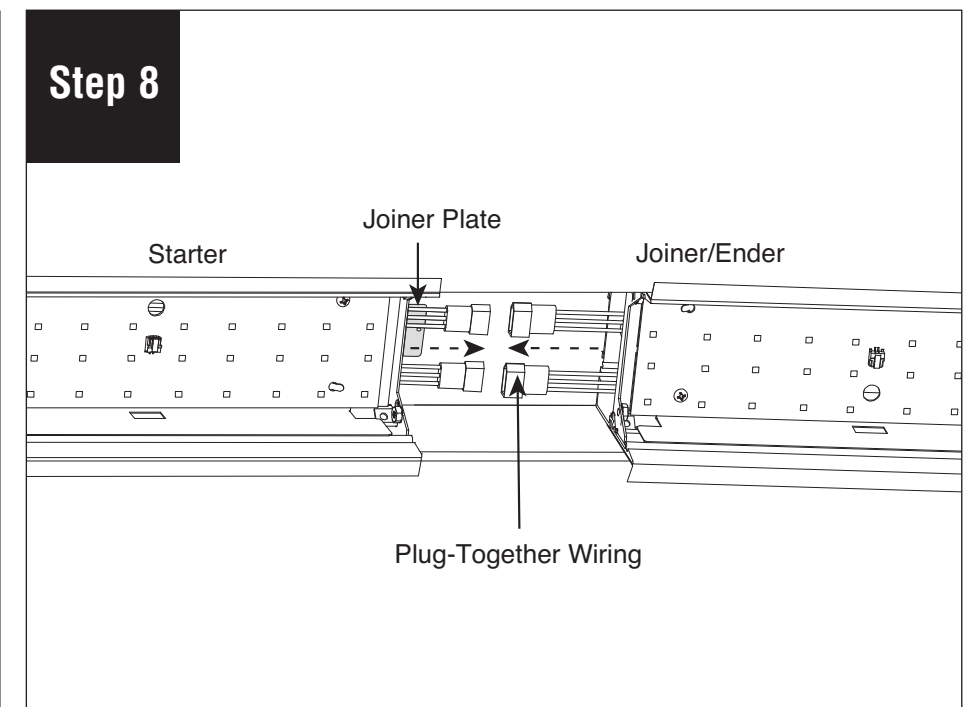
ALTERNATE MOUNTING OPTION: Install 1/4" screw (provided by others) through mounting hole into proper structurally supported blocking (by others).



Make wire connections and secure with #8-18 x 1/4" screw (provided).



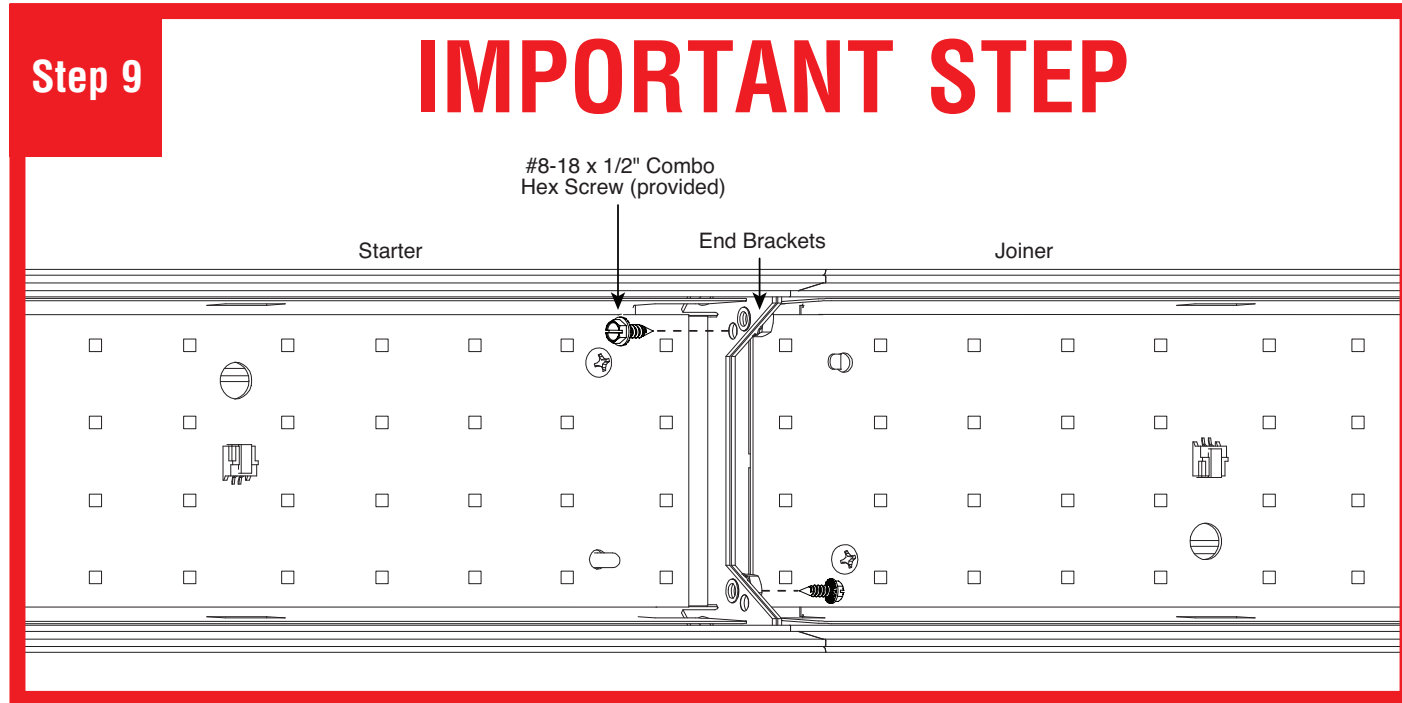
On opposite end of luminaire, open trap door. Install 1/4"-20 nut (by others) and 1/4" washer (by others) onto 1/4"-20 threaded rod (by others) or use **ALTERNATE MOUNTING**. Replace trap door and fasten with #8-18 x 1/4" screws (provided).



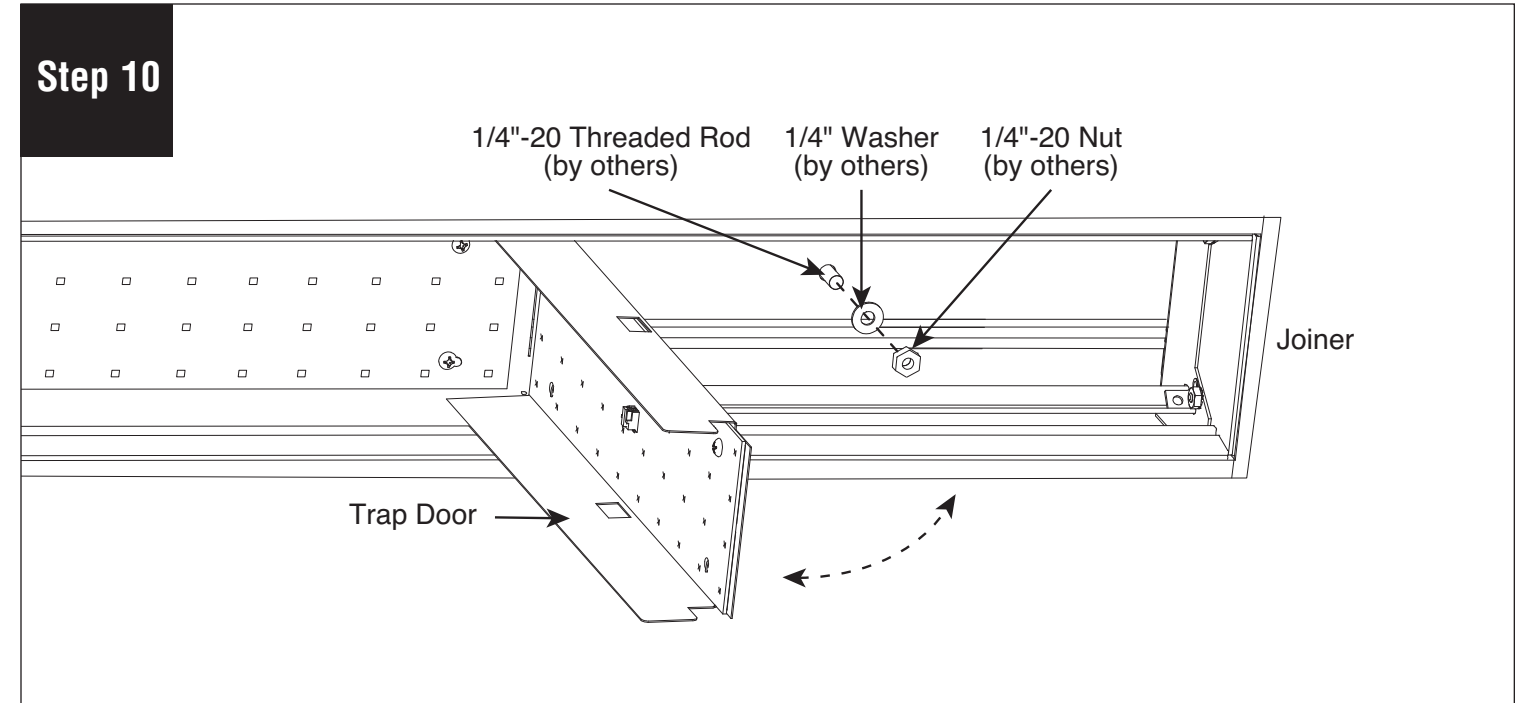
Connect plug-together wiring. Slide joiner luminaire against starter luminaire. Be careful not to damage any wiring. **NOTE:** If part of a longer run, diffuser will be reinstalled back into original luminaire section as lengths vary.

Note: All power connections to be installed to local/national codes by a Certified Electrician.

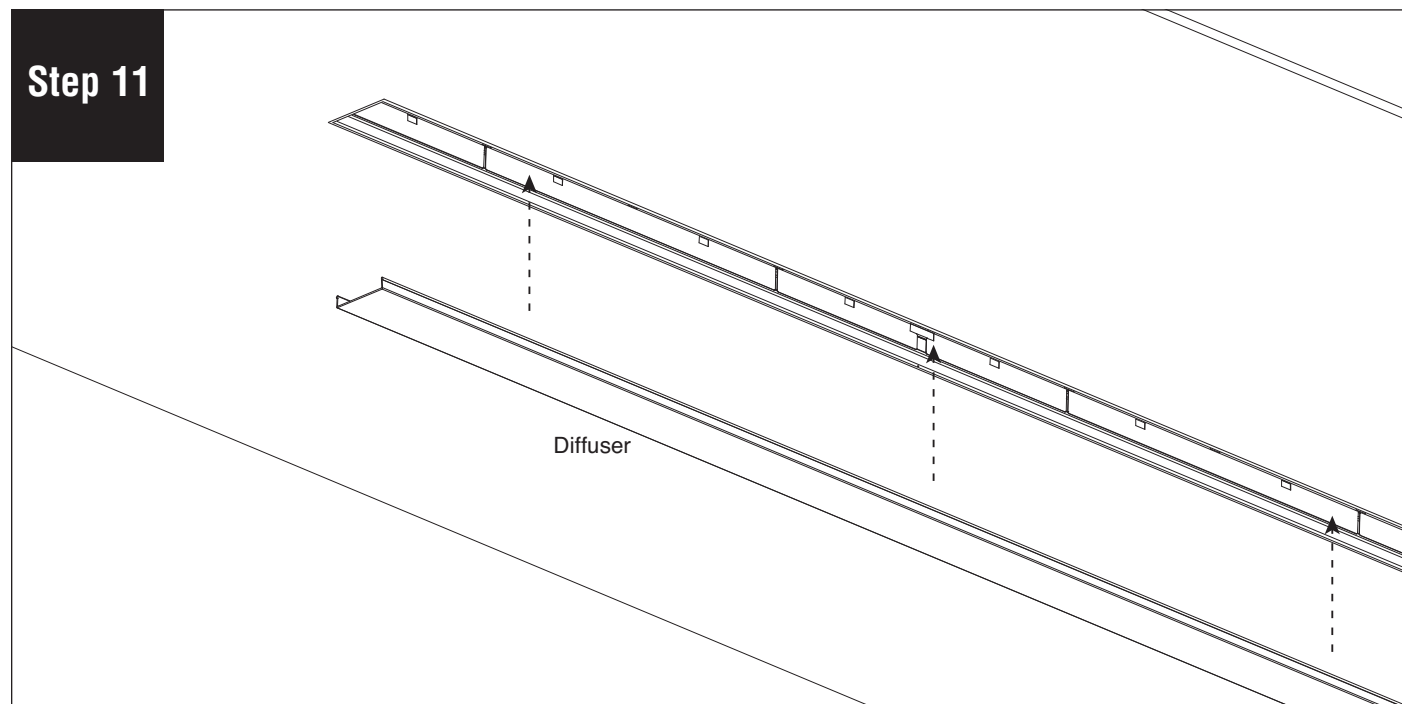
HP-4 Recessed Flush Diffuser Visible Flange Joiner/Ender Installation Instructions



IMPORTANT STEP: Secure the starter and joiner/ender using two #8-18 x 1/2" combo hex screws (provided). Screws can be installed from the left or right. **CAUTION: Do not over-tighten.**



On opposite end of luminaire, open trap door. Install 1/4"-20 nut (by others) and 1/4" washer (by others) onto 1/4"-20 threaded rod (by others) or use **ALTERNATE MOUNTING**. Replace trap door and fasten with #8-18 x 1/4" screws (provided).



Reinstall diffusers and turn power on to luminaire. **NOTE:** If part of a longer run, diffuser will be reinstalled back into original luminaire section as lengths vary.

Note: All power connections to be installed to local/national codes by a Certified Electrician.