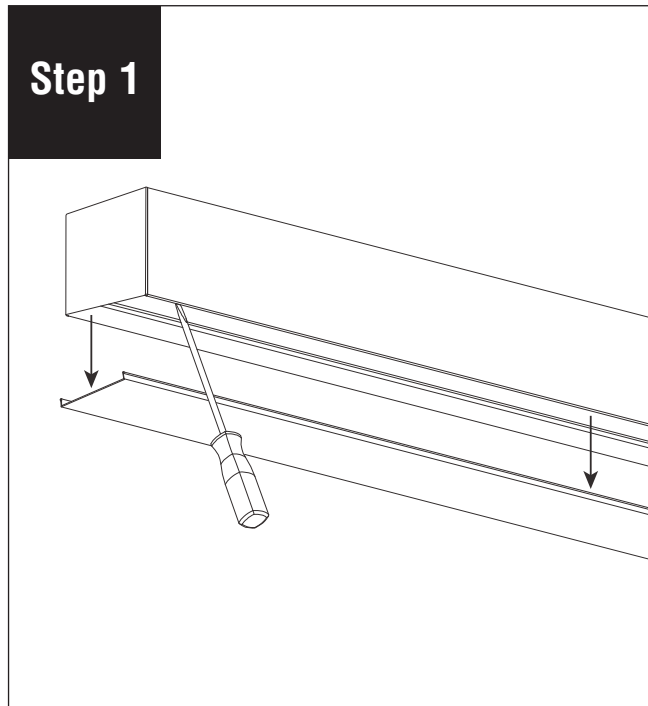
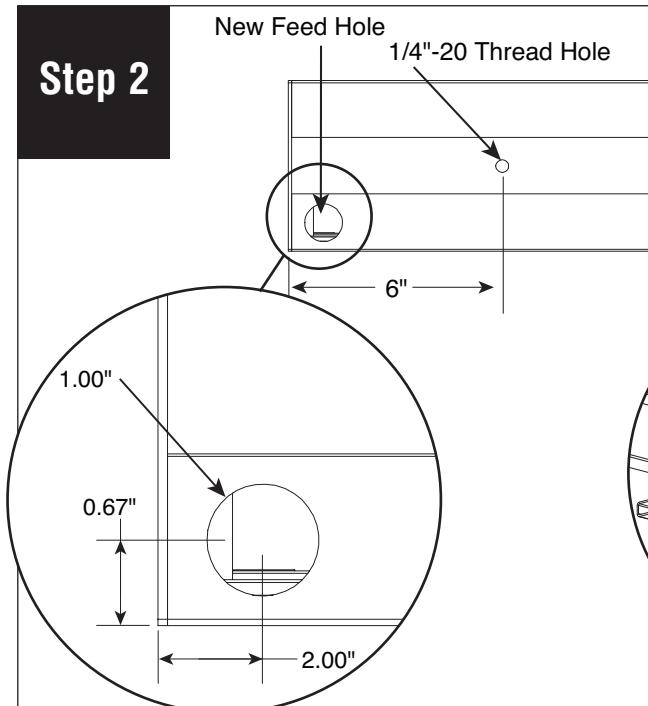


# FINELITE

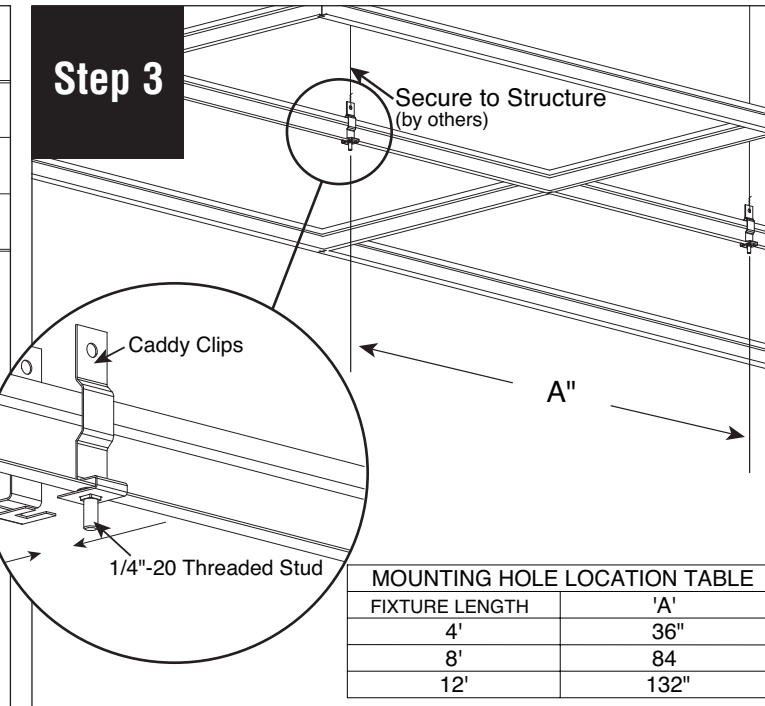
## HP-4 Surface Mount T-Bar Starter/Independent Installation Instructions



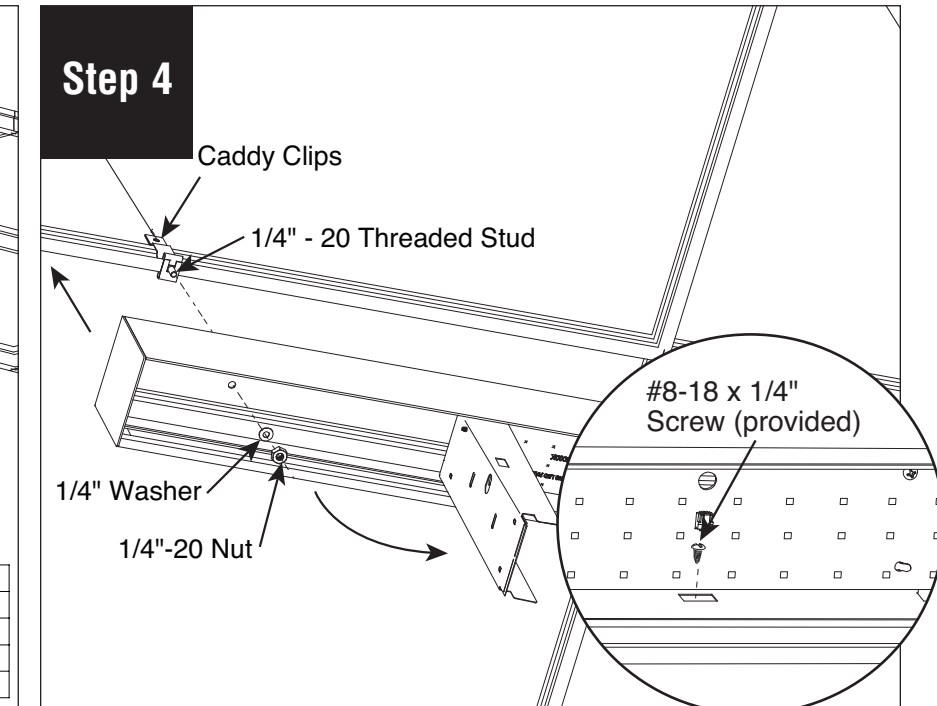
**Step 1**  
Remove lens and set aside to prevent it from getting dirty or damaged.



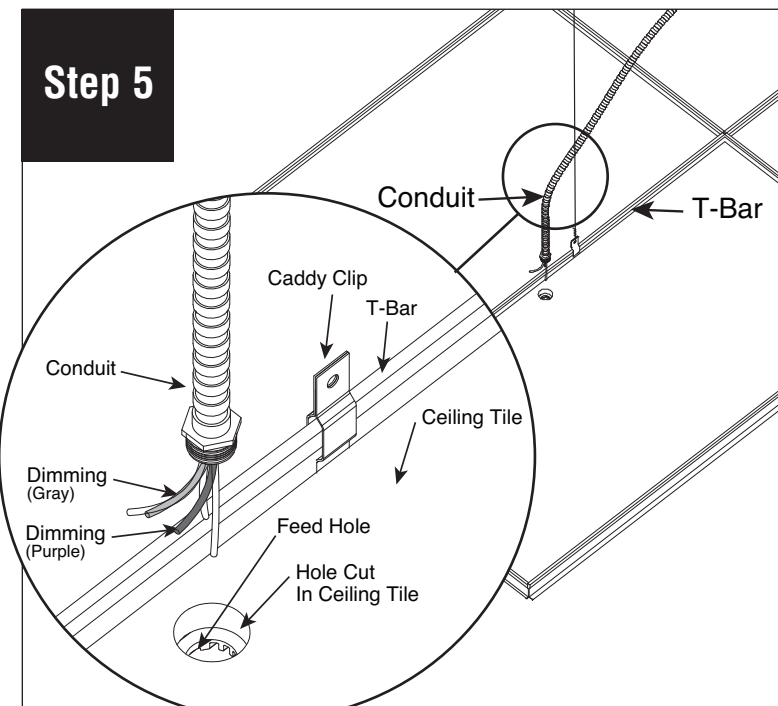
**Step 2**  
Note new feed hole on fixture as indicated above.



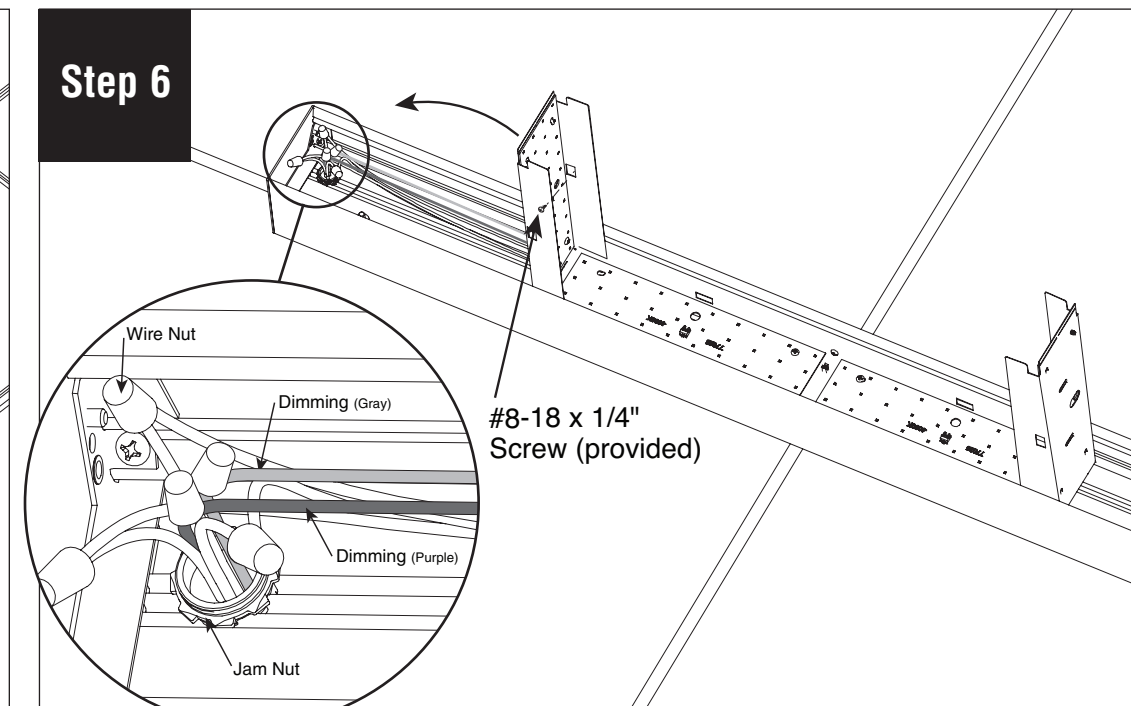
**Step 3**  
Install caddy clips accordingly. Secure fixture to structure using tie-wire (supplied by others) according to code.



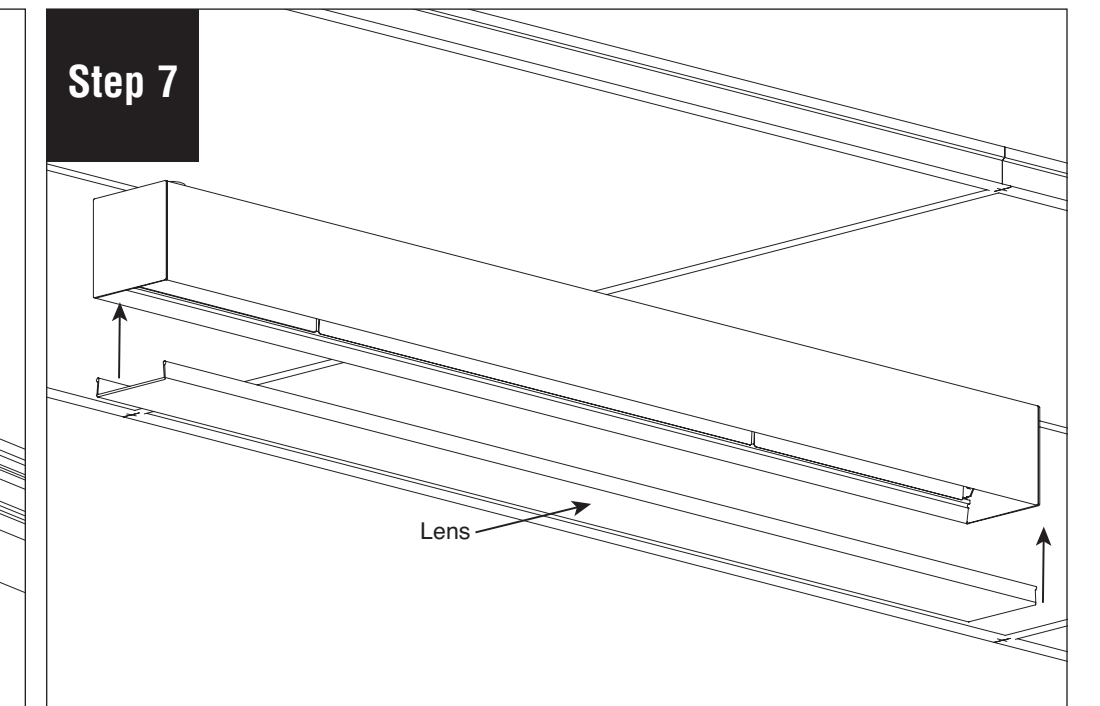
**Step 4**  
Remove #8-18 x 1/4" screw (provided) to open trap door and install fixture onto caddy clips with 1/4"-20 Nut and 1/4" washer onto 1/4"-20 threaded stud. Repeat this step on the other end of the fixture.



**Step 5**  
Cut hole in ceiling tile for conduit to pass through. Insert wires and conduit through ceiling tile and into fixture feed hole.



**Step 6**  
Insert wires through jam nut and install jam nut onto conduit connector. Make wiring connections. Replace trap door and fasten with #8-18 x 1/4" screws (provided).



**Step 7**  
Reinstall lens. Turn power on to fixture.

# FINELITE

## HP-4 Surface Mount T-Bar Joiner Installation Instructions

**Step 1**

MOUNTING HOLE LOCATION TABLE		
FIXTURE LENGTH	'A' (IN)	'B' (IN)
4'	36	48.00
8'	84	96.00
12'	132	144.00

Install caddy clips for Joiner accordingly. Secure fixture to structure using tie-wire (supplied by others) according to code.

**Step 2**

Remove lens and set aside to prevent it from getting dirty or damaged.

**Step 3**

Open trap door by removing #8-18 x 1/4" screw (provided) on the side of the trap door and move Joiner next to Starter.

**Step 4**

Connect Plug Together Wiring. Slide Joiner fixture to Starter and be careful not to damage any wiring.

**Step 5**

Install fixture onto caddy clip with 1/4"-20 Nut and 1/4" washer onto 1/4"-20 threaded stud. Replace trap door and fasten with #8-18 x 1/4" screws (provided).

**Step 6** **IMPORTANT STEP**

Secure joint with 2 #8-18 x 1/2" Combo Hex Screws (provided). Screws can be installed from the left or right.

**Step 7**

Reinstall lens. Turn power on to fixture.