

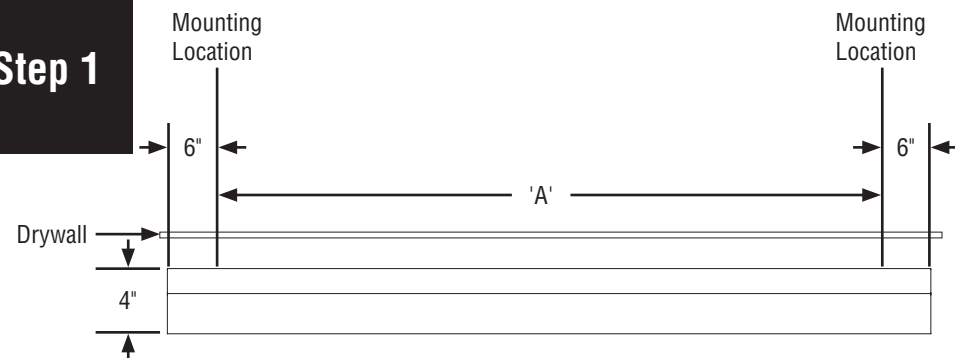
HP-4 Surface Mount Drywall Starter/Independent Installation Instructions

Scan QR code for helpful video(s)



0 - 10V Dimming

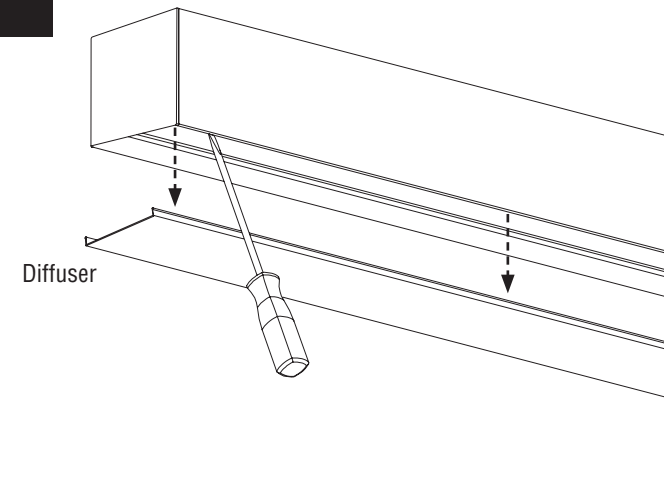
Step 1



MOUNTING HOLE LOCATION TABLE	
LUMINAIRE LENGTH	'A' (IN)
4'	38
8'	84
12'	132

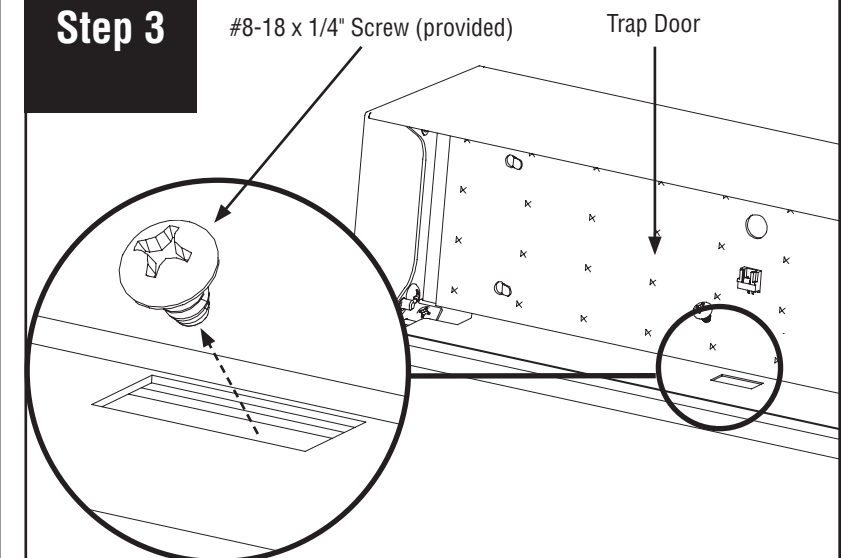
Use the chart above to determine the correct mounting points. Provide structural blocking at each mounting location (by others).

Step 2



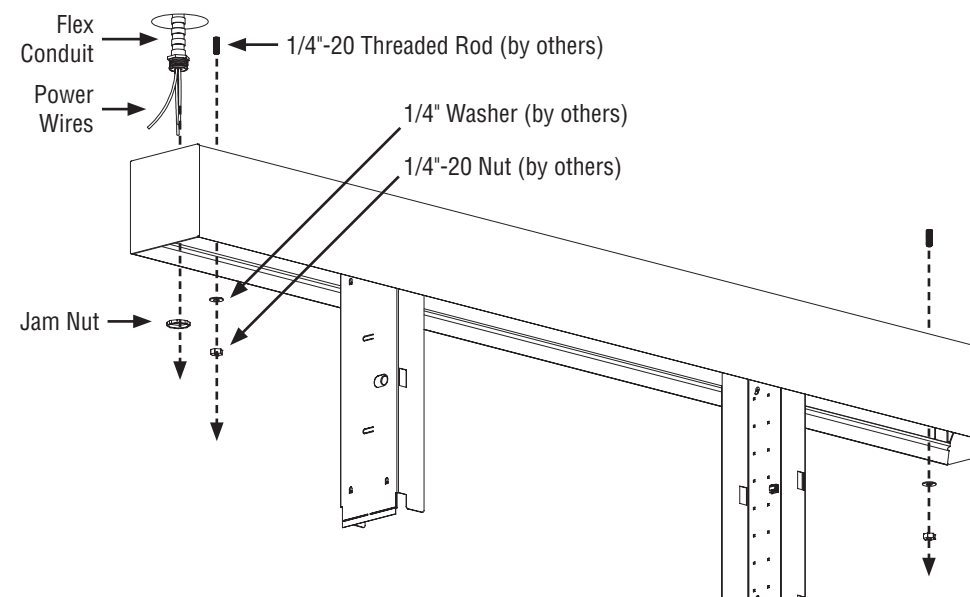
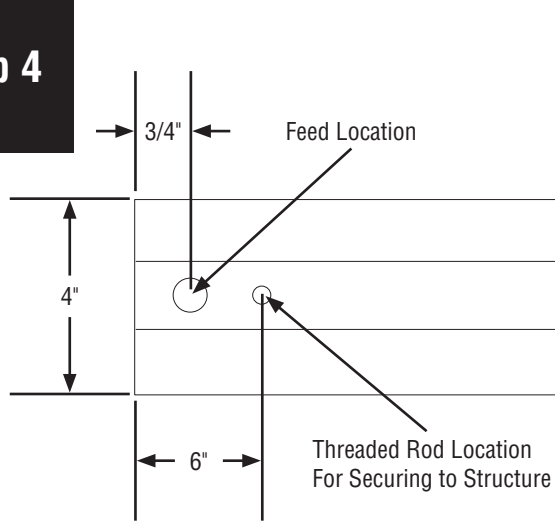
Remove diffuser and set aside to prevent it from getting dirty or damaged. **NOTE:** If part of a longer run, diffuser will be reinstalled back into original luminaire section as lengths vary.

Step 3



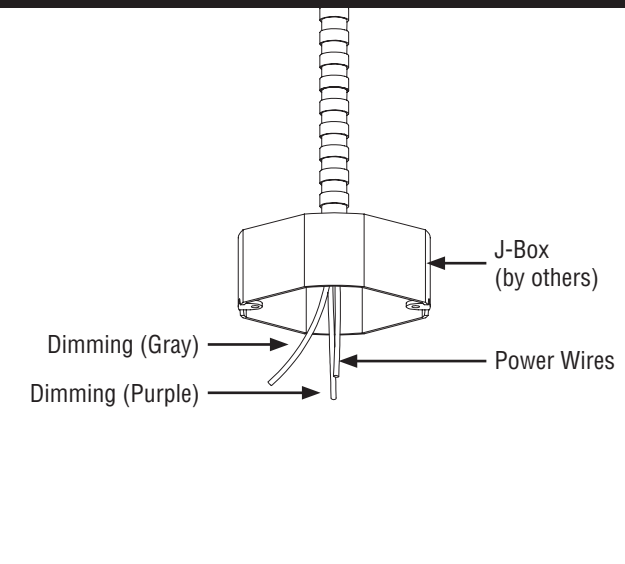
Remove #8-18 x 1/4" screws (provided) holding trap doors on both ends of the luminaire.

Step 4

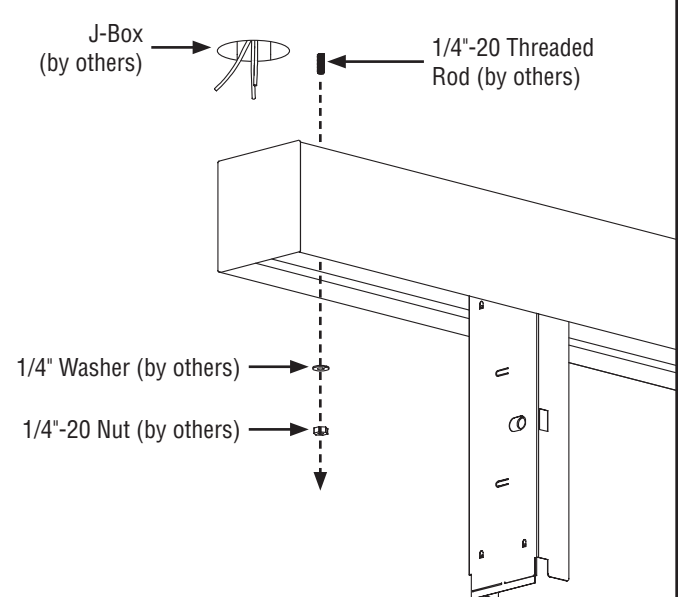


Determine new feed hole on luminaire as indicated above. Install luminaire onto drywall. Insert wires through jam nut and install jam nut onto conduit connector. **NOTE:** Purple and gray wires are for Low Voltage Control.

ALTERNATE POWER FEED OPTION

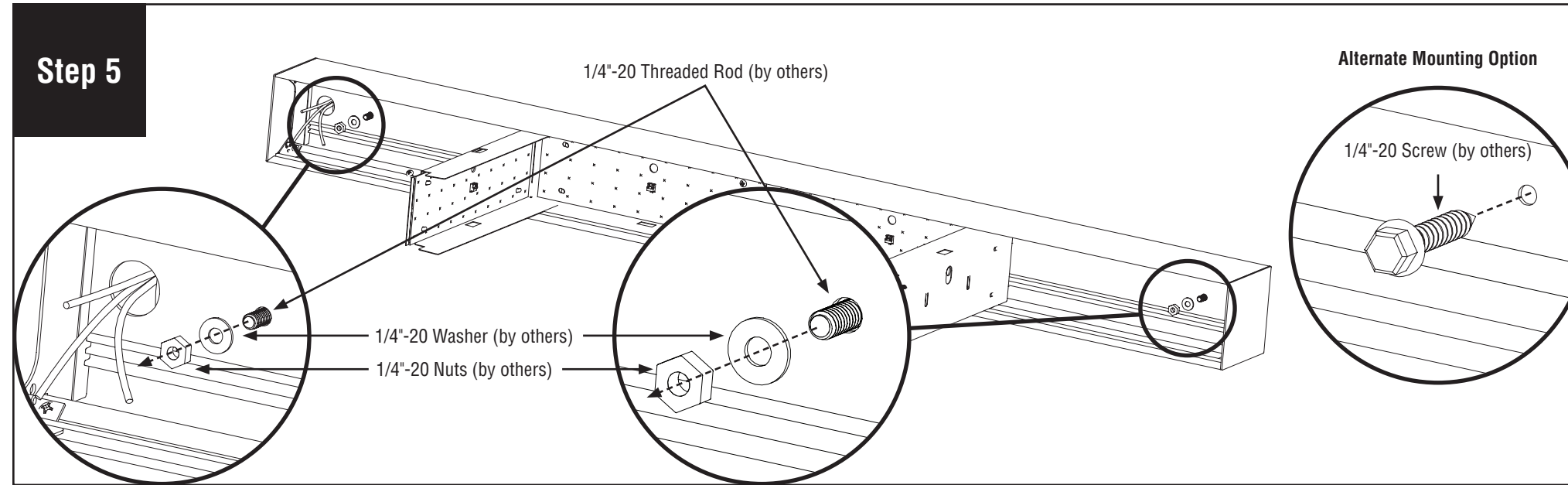


ALTERNATE POWER FEED OPTION with J-Box.

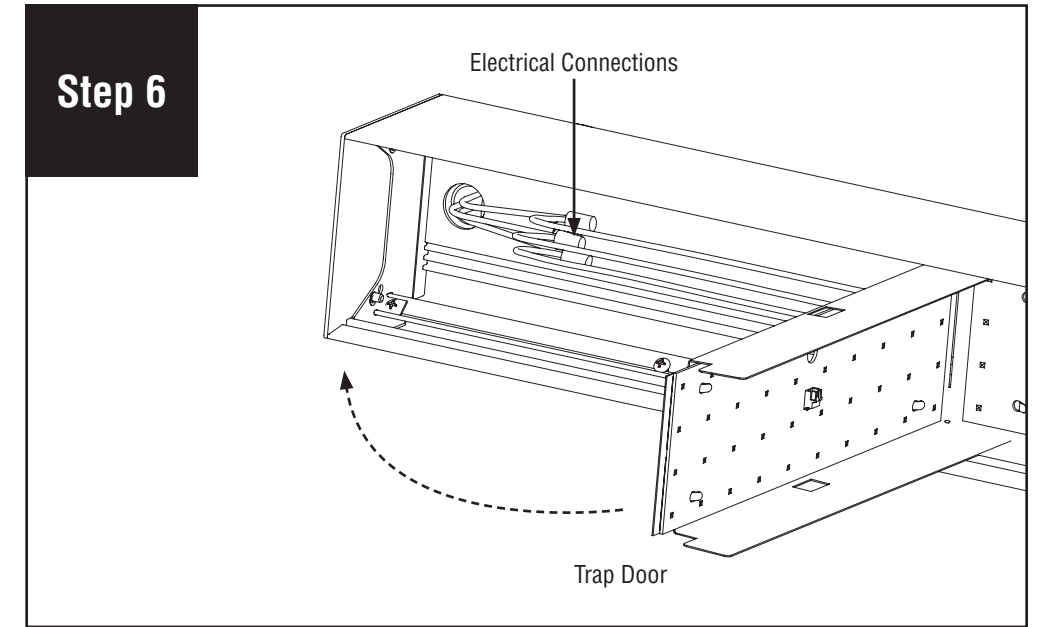


Note: All power connections to be installed to local/national codes by a Certified Electrician.

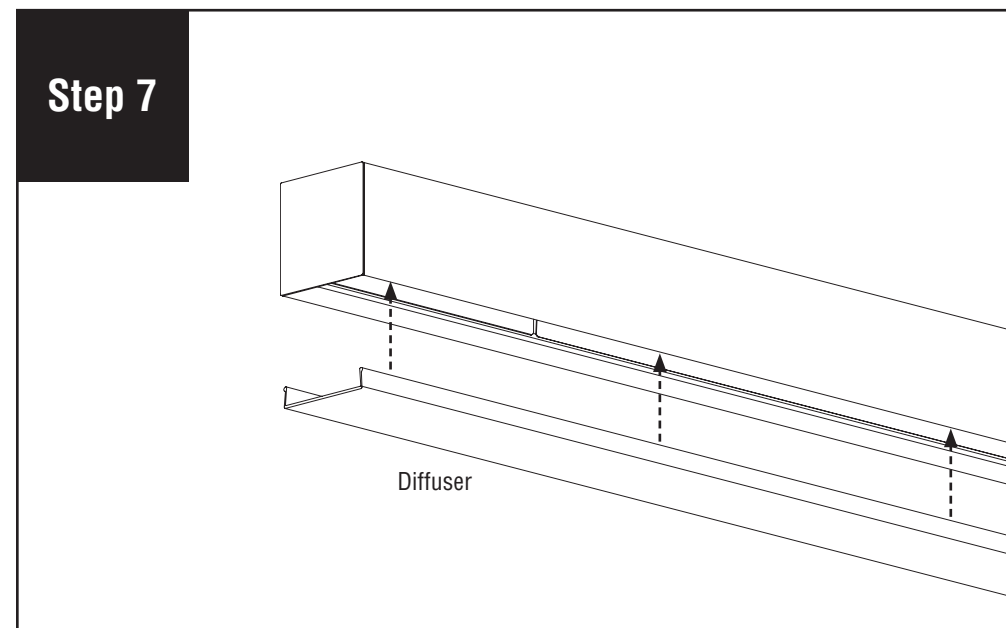
HP-4 Surface Mount Drywall Starter/Independent Installation Instructions



Install 1/4" washers (by others) and 1/4"-20 nuts (by others) onto 1/4"-20 threaded rod (by others), or use alternate mounting options (use fastener and washer compatible to structural blocking to secure luminaire).



Make electrical connections then replace trap door and screws.



Reinstall diffuser and turn power on to luminaire. **NOTE:** If part of a longer run, diffuser will be reinstalled back into original luminaire section as lengths vary.

Note: All power connections to be installed to local/national codes by a Certified Electrician.

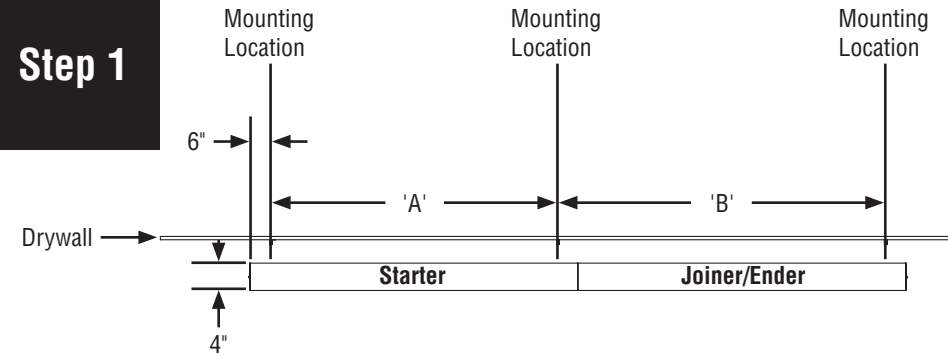
HP-4 Surface Mount Drywall Joiner/Ender Installation Instructions

Scan QR code for helpful video(s)



0 - 10V Dimming

Step 1

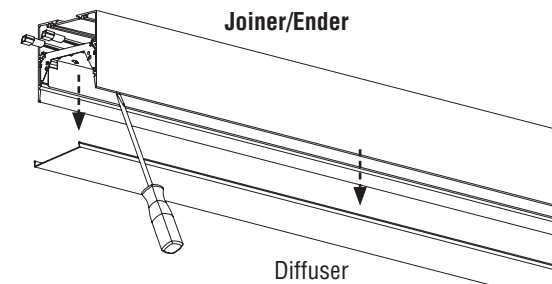


MOUNTING HOLE LOCATION TABLE

LUMINAIRE LENGTH	'A' (IN)	'B' (IN)
4'	46	48
8'	84	96
12'	132	144

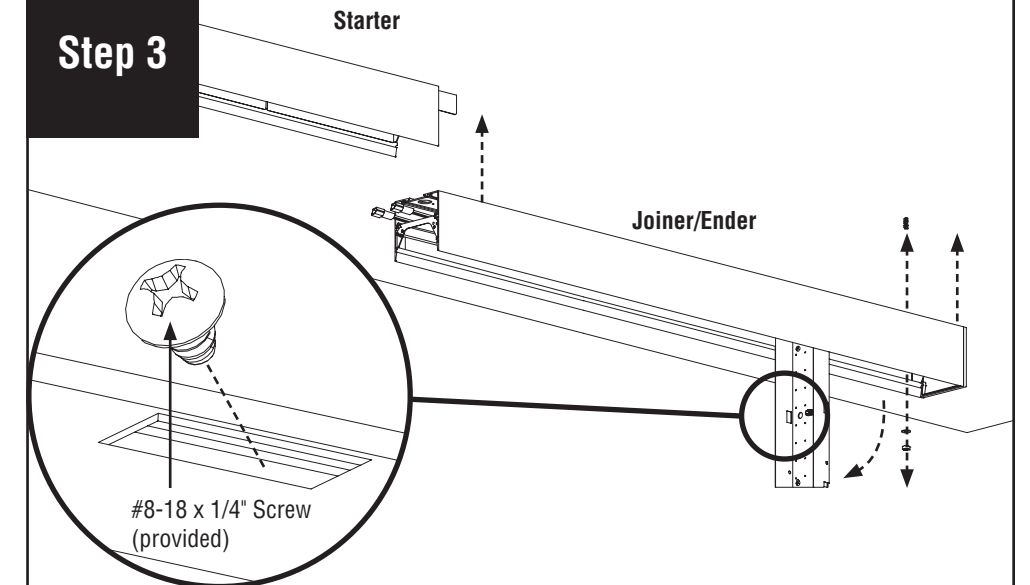
Use the chart above to determine the correct mounting points. Provide structural blocking at each mounting location (by others).

Step 2



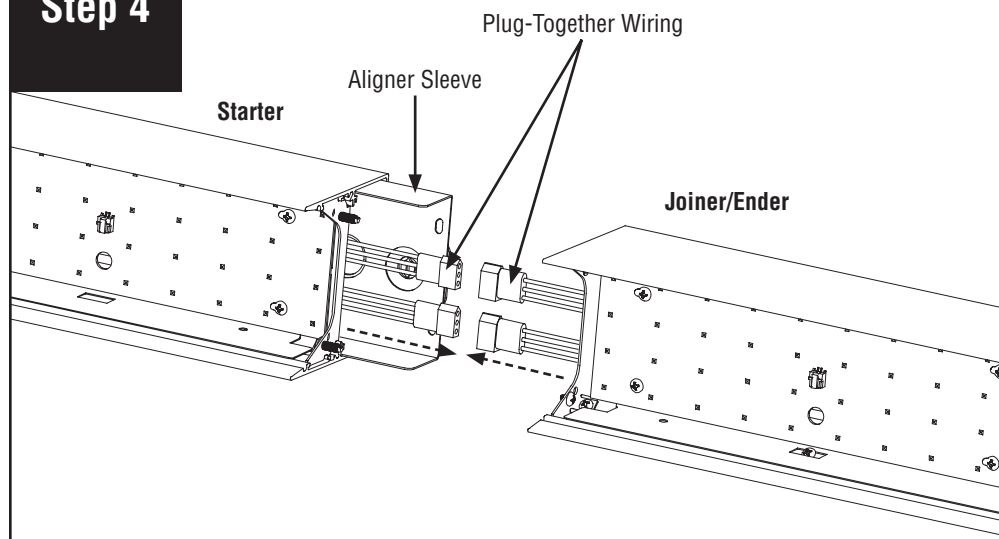
Remove diffuser from joiner/ender and set aside to prevent it from getting dirty or damaged. **NOTE:** If part of a longer run, diffuser will be reinstalled back into original luminaire section as lengths vary.

Step 3



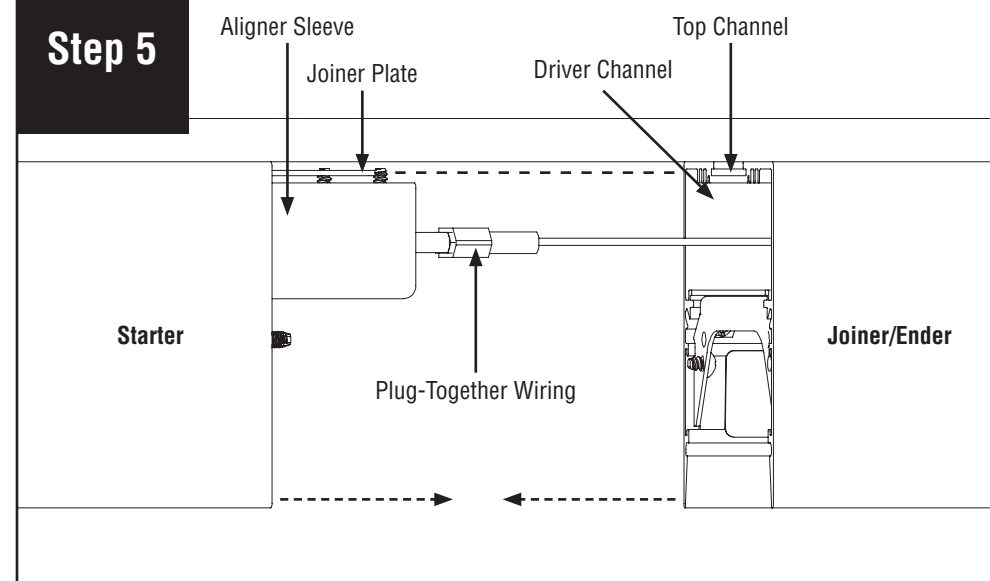
Open trap door by removing #8-18 x 1/4" screw (provided) on the side of the trap doors.

Step 4



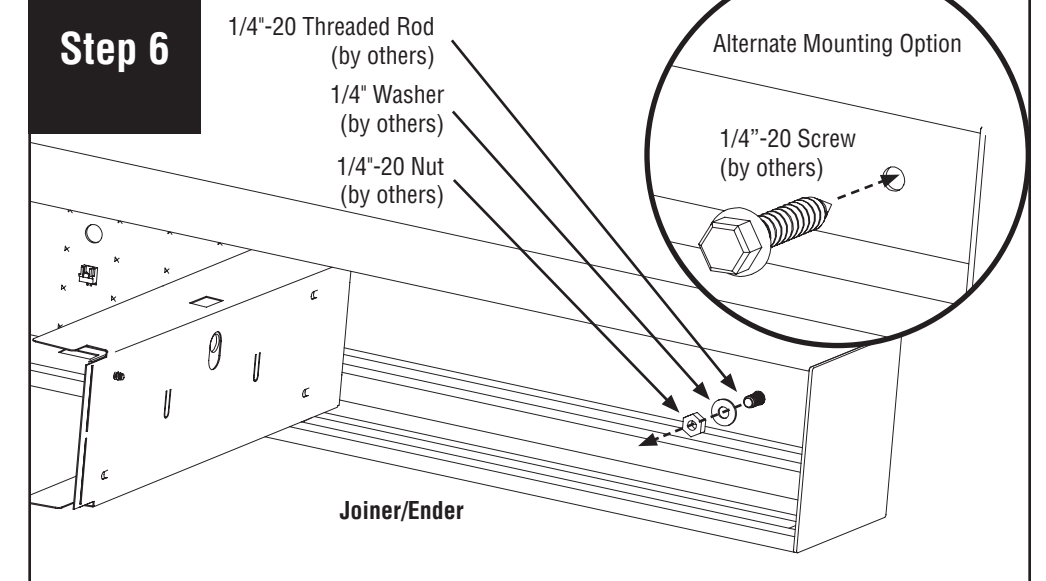
Connect plug-together wiring.

Step 5



Line up aligner sleeve with driver channel and joiner/ender plate with top channel then slide joiner/ender toward starter. Be careful not to damage any wiring.

Step 6



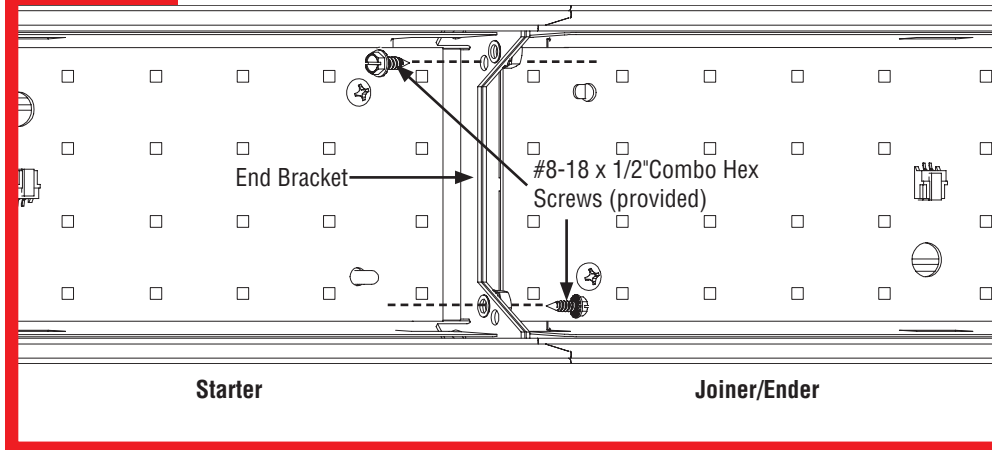
Install 1/4"-20 washers (by others) and 1/4"-20 nuts (by others) onto 1/4"-20 threaded rod (by others), or use alternate mounting option (use fastener and washer compatible to structural blocking to secure luminaire). Replace trap door and fasten with #8-18 x 1/4" screws.

Note: All power connections to be installed to local/national codes by a Certified Electrician.

HP-4 Surface Mount Drywall Joiner/Ender Installation Instructions

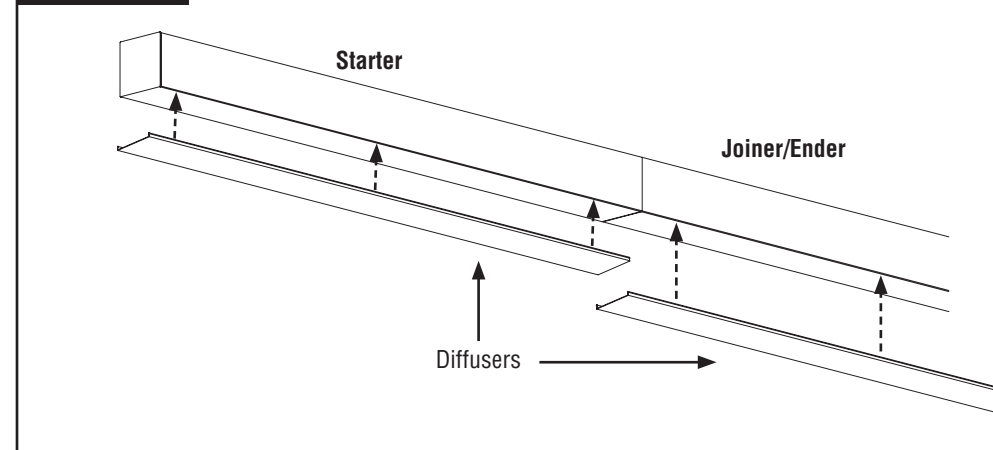
Step 7

IMPORTANT STEP



IMPORTANT STEP: Install two #8-18 x 1/2" combo hex screws (provided) into end bracket as shown. Screws can be installed from the left or right. **CAUTION: Do not over-tighten.**

Step 8



Reinstall diffusers. Turn power on to luminaire. **NOTE:** If part of a longer run, diffuser will be reinstalled back into original luminaire section as lengths vary.

Note: All power connections to be installed to local/national codes by a Certified Electrician.