
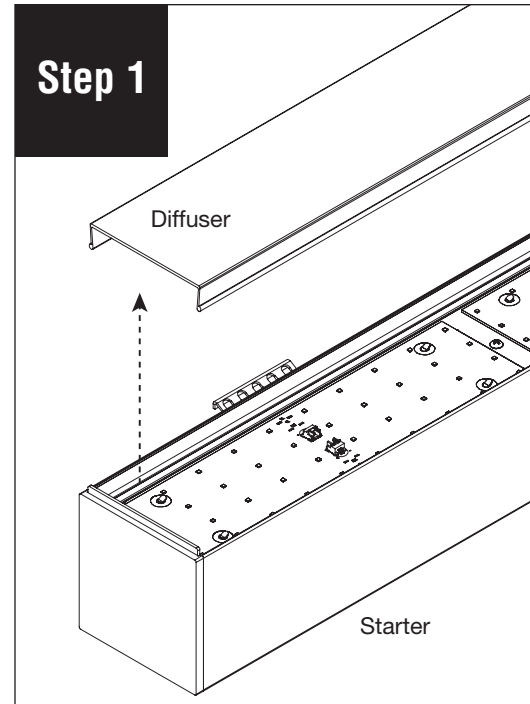


# HP-4 Wall Mount Indirect Starter/Independent Installation Instructions

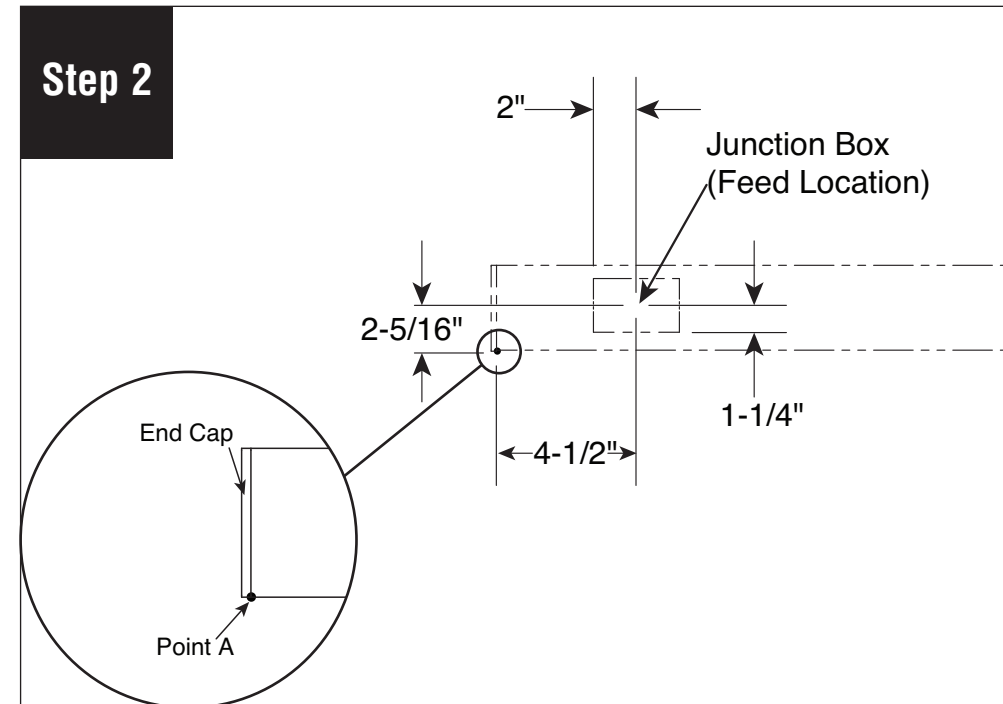
Scan QR code for helpful video(s)



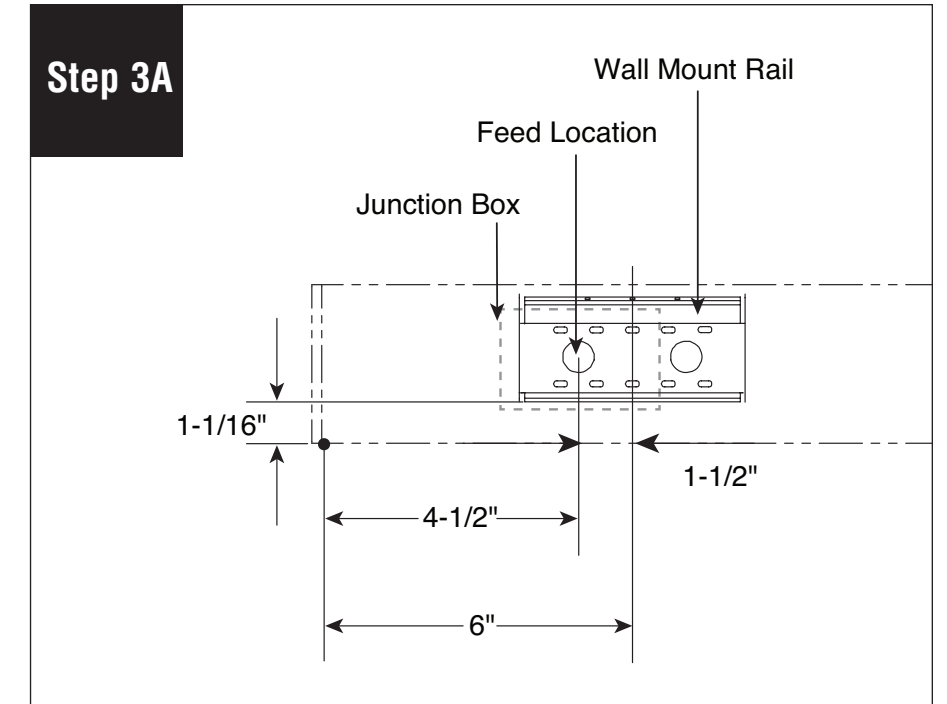
0 - 10V Dimming



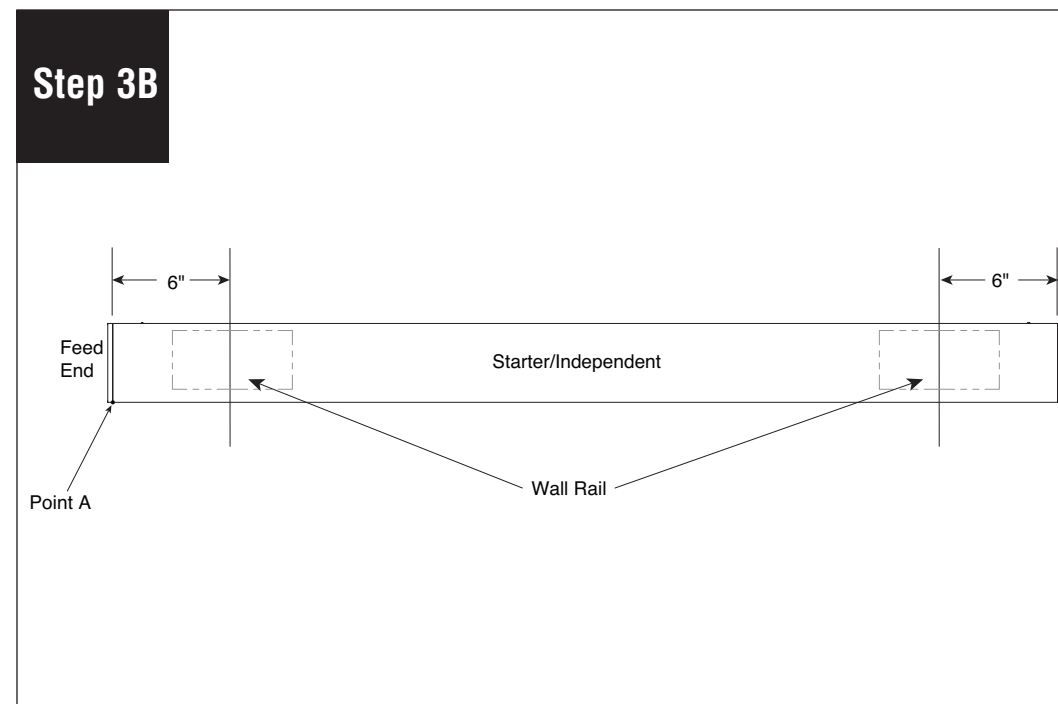
Remove Top Glow™ diffuser and set aside to prevent it from getting dirty or damaged.



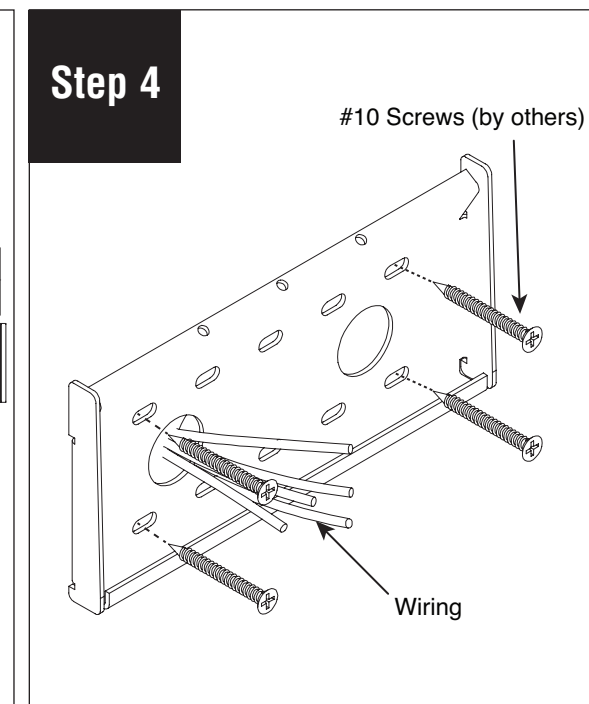
Position luminaire on wall in desired location. Mark the bottom corner of the luminaire, do not include end cap. This will be Point A. Use Point A to find and mark feed location.



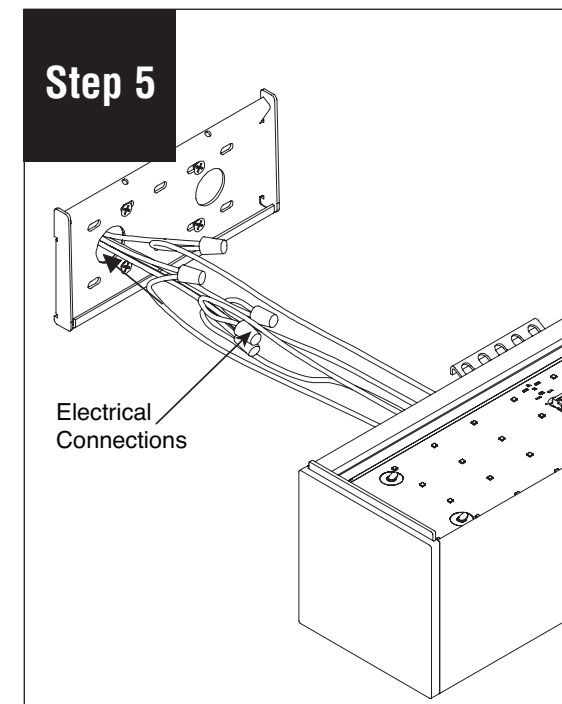
**A)** Use feed location to center and install junction box. Position and install starter wall rail.



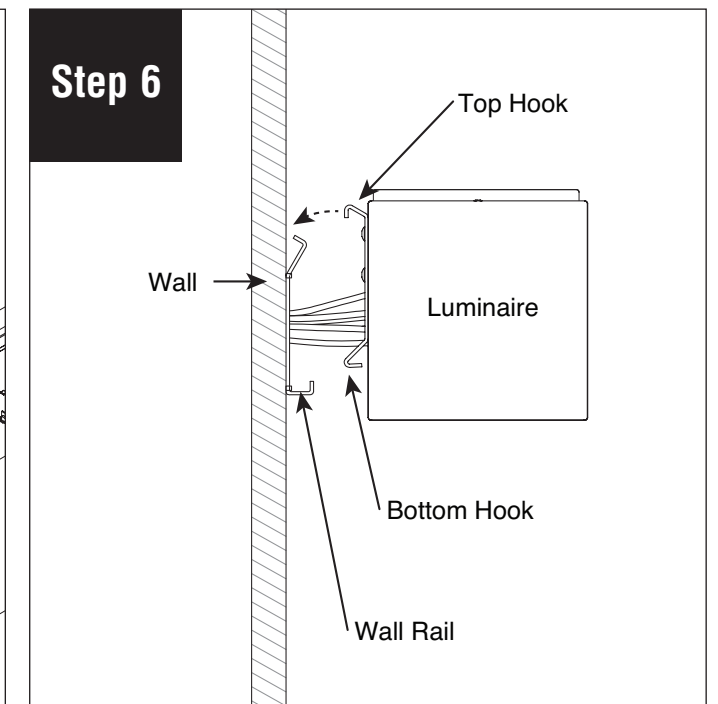
**B)** Center of mounting rail for independent is 6" from Point A as indicated. Make sure rail has proper backing (by others).



Level wall rail to ensure proper mounting. Install #10 screws (by others) through rail and into backing.



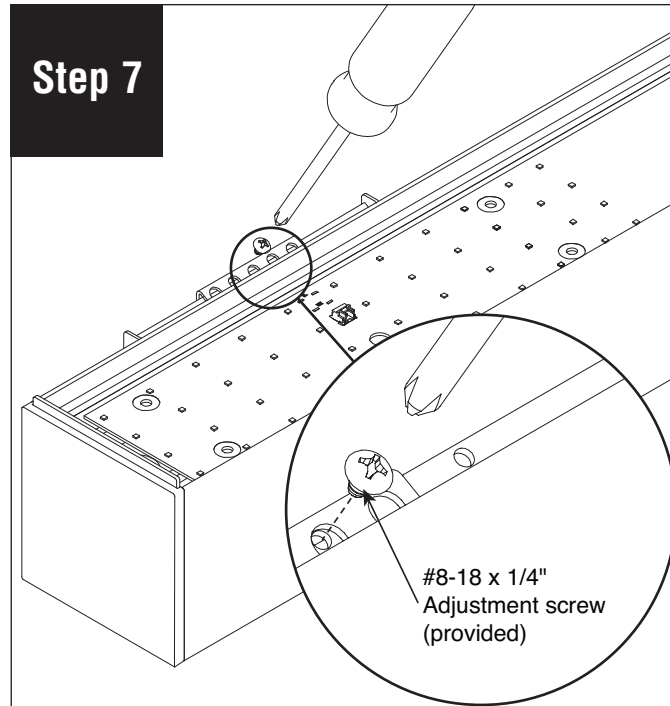
Make electrical connections and push completed wiring into junction box.



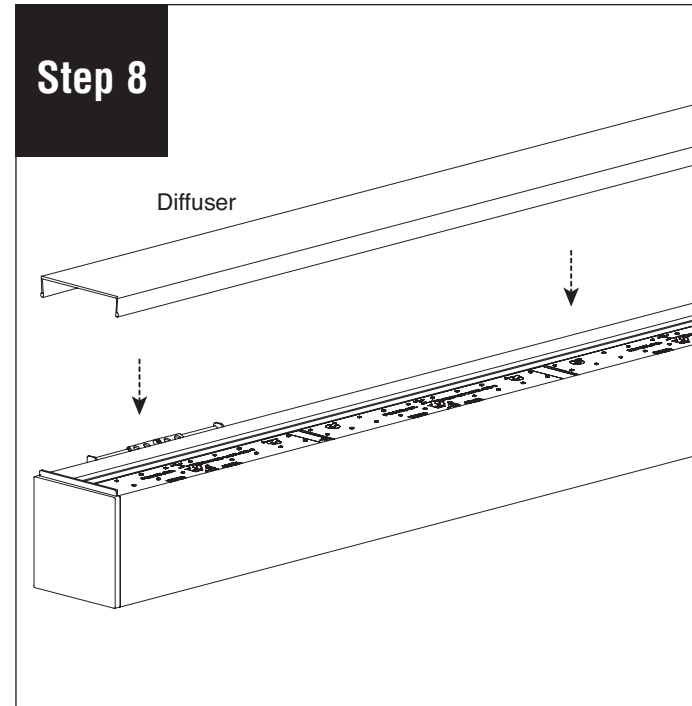
Install luminaire onto wall rails then slide it straight down to engage hooks on top and bottom of wall rail.

**Note:** All power connections to be installed to local/national codes by a Certified Electrician.

# HP-4 Wall Mount Indirect Starter/Independent Installation Instructions



Install #8-18 x 1/4" adjustment screws (provided) onto mounting brackets. Use screws to level luminaire. Tighten to raise and loosen to lower.



Reinstall Top Glow diffuser and power on luminaire. **NOTE:** If part of a longer run, diffuser will be reinstalled back into original luminaire section as lengths vary.

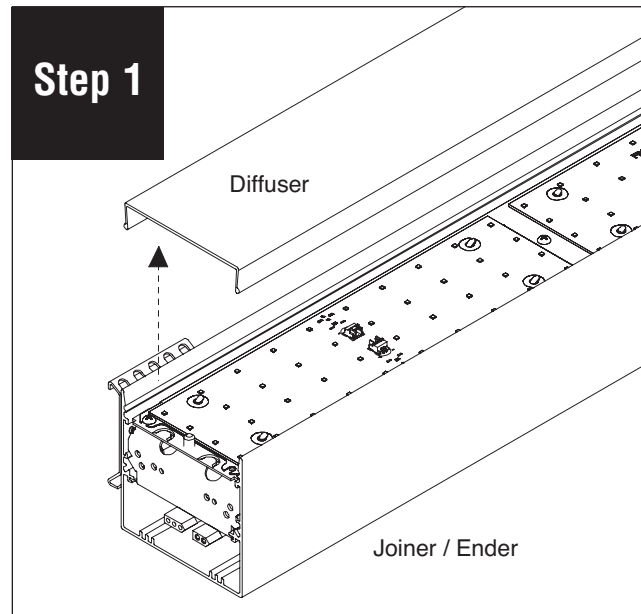
**Note:** All power connections to be installed to local/national codes by a Certified Electrician.

# HP-4 Wall Mount Indirect Joiner/Ender Installation Instructions

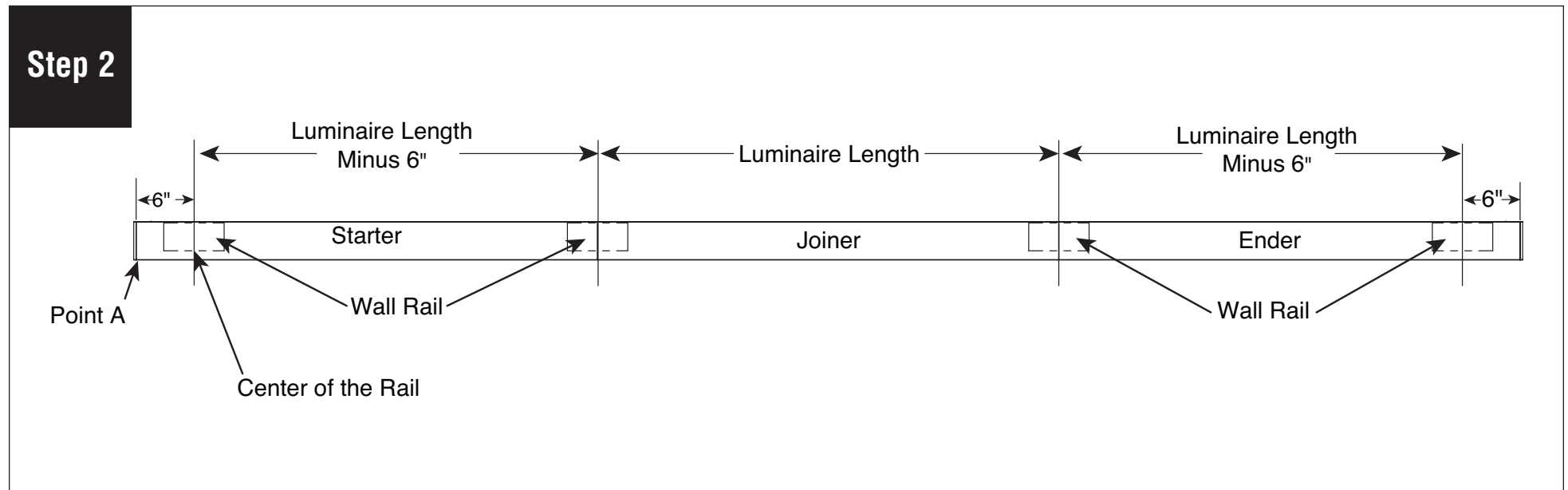
Scan QR code for helpful video(s)



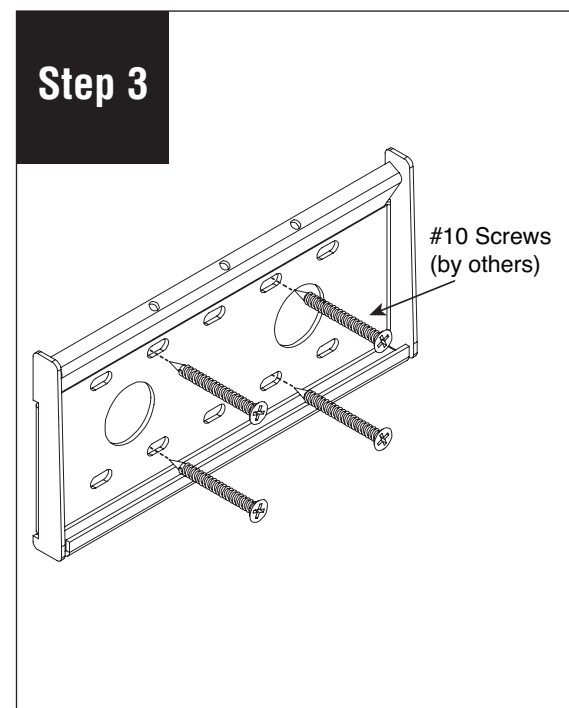
0 - 10V Dimming



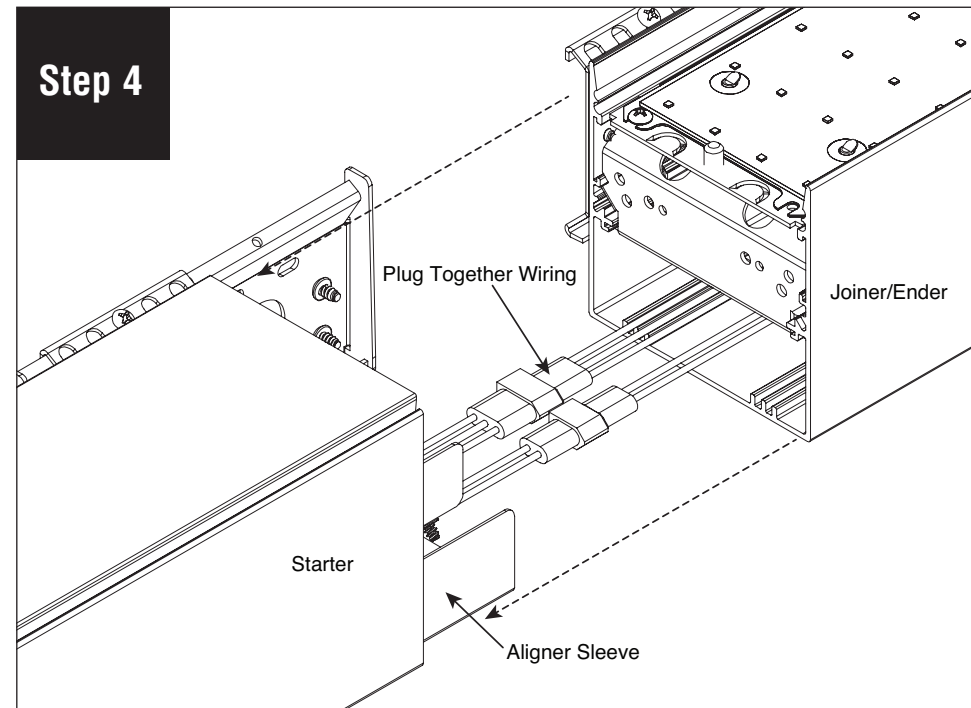
Remove joiner Top Glow™ diffuser and set aside to prevent it from getting dirty or damaged. **NOTE:** If part of a longer run, diffuser will be reinstalled back into original luminaire section as lengths vary.



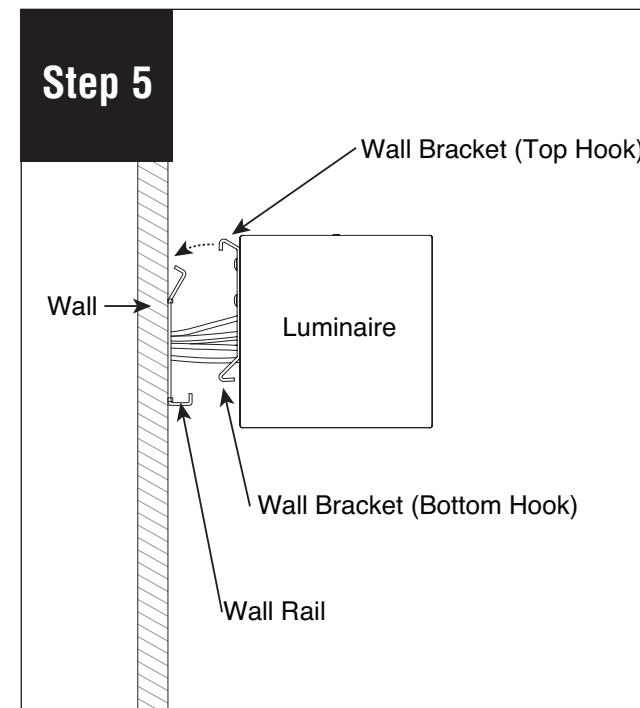
Position wall rails as indicated above. Center of mounting rail for starter is 6" from Point A as indicated on the Starter/Independent installation instructions (step 3A and 3B). Make sure wall rail has proper backing (by others).



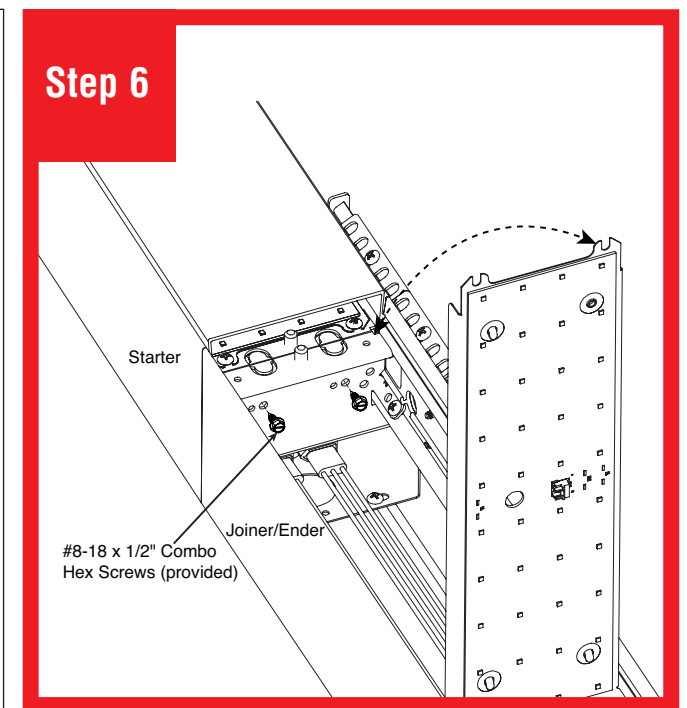
Level wall rail to ensure proper mounting. Install #10 screws (by others) through rail and into backing.



Connect plug-together wiring. Slide starter and joiner/ender luminaires together.



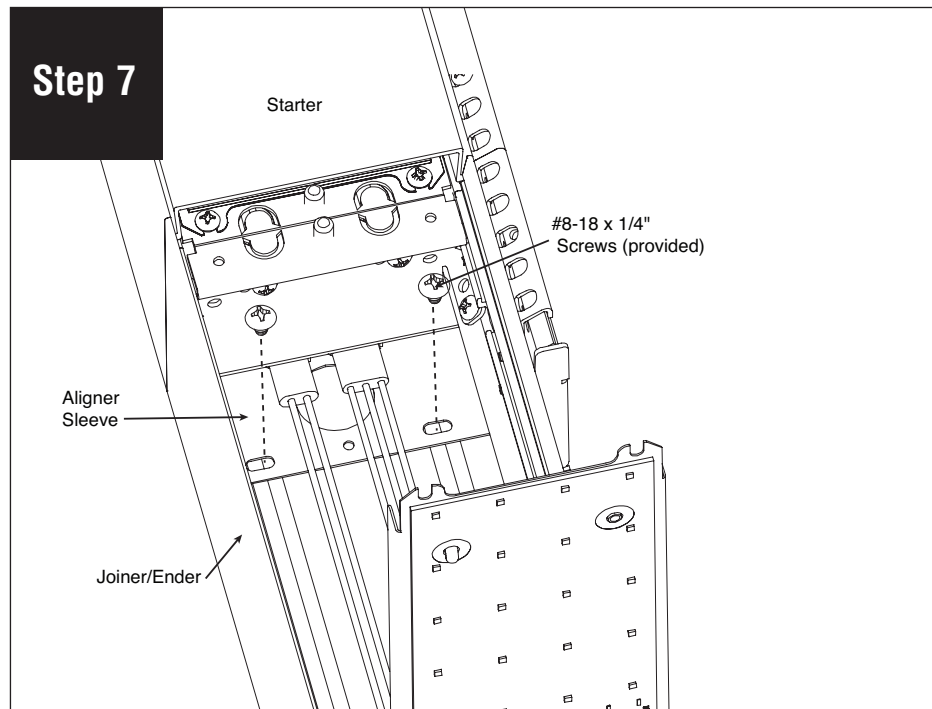
Position the luminaire in place and slide the wall bracket straight down to engage top top and bottom hooks of the wall bracket into the wall rail. Be careful not to damage any wiring.



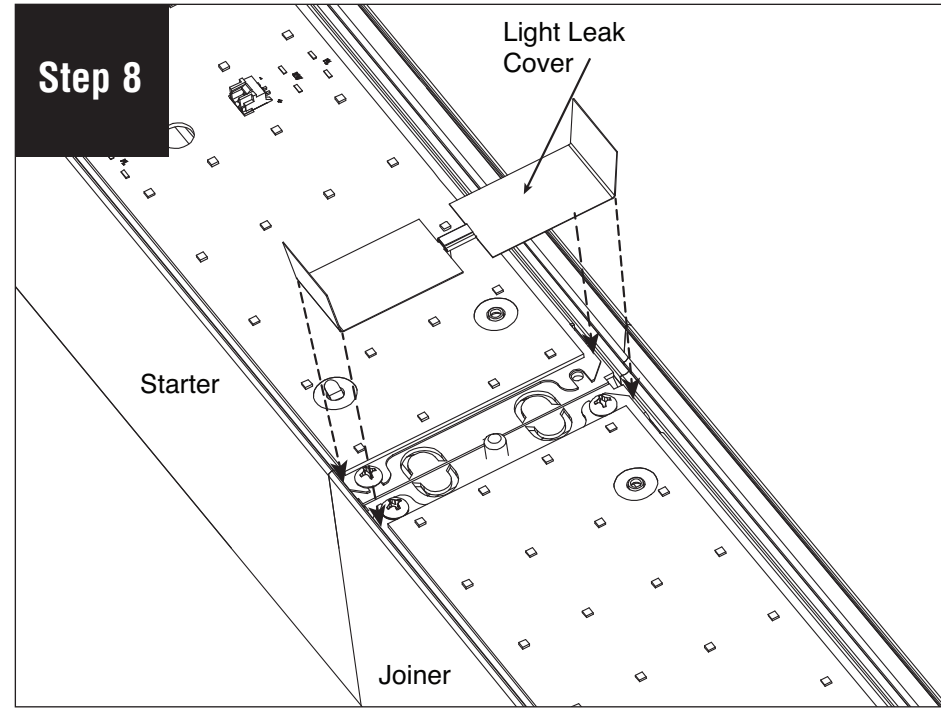
Remove trap door #8-18 x 1/4" screws (provided) to open trap door. Install #8-18 x 1/2" combo hex screws (provided) into end brackets. **CAUTION: Do not over-tighten.**

**Note:** All power connections to be installed to local/national codes by a Certified Electrician.

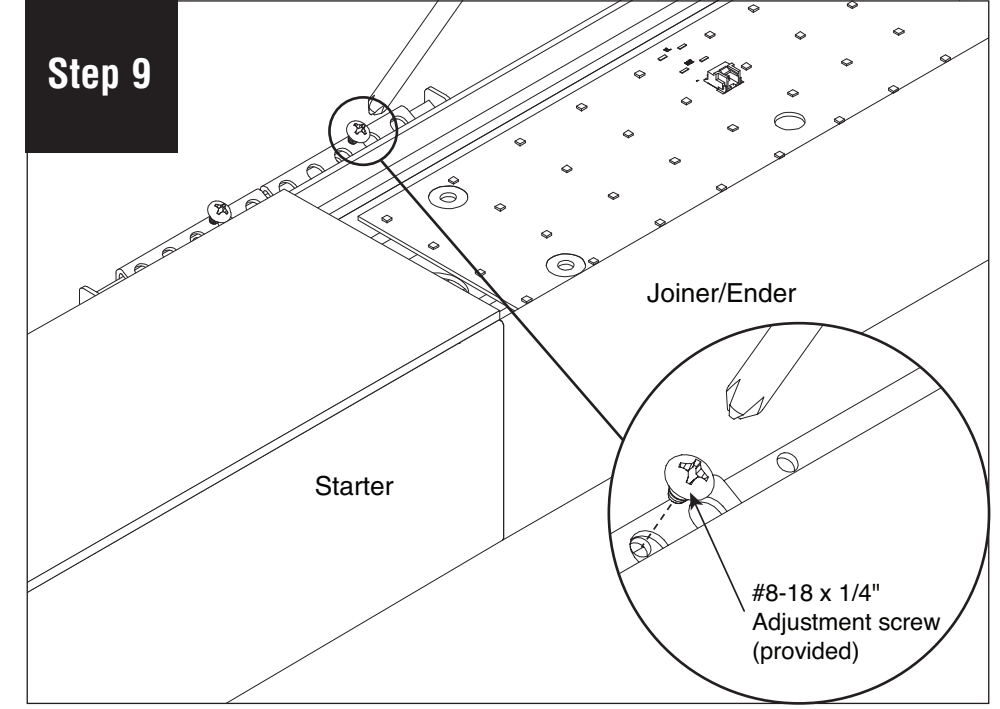
# HP-4 Wall Mount Indirect Joiner/Ender Installation Instructions



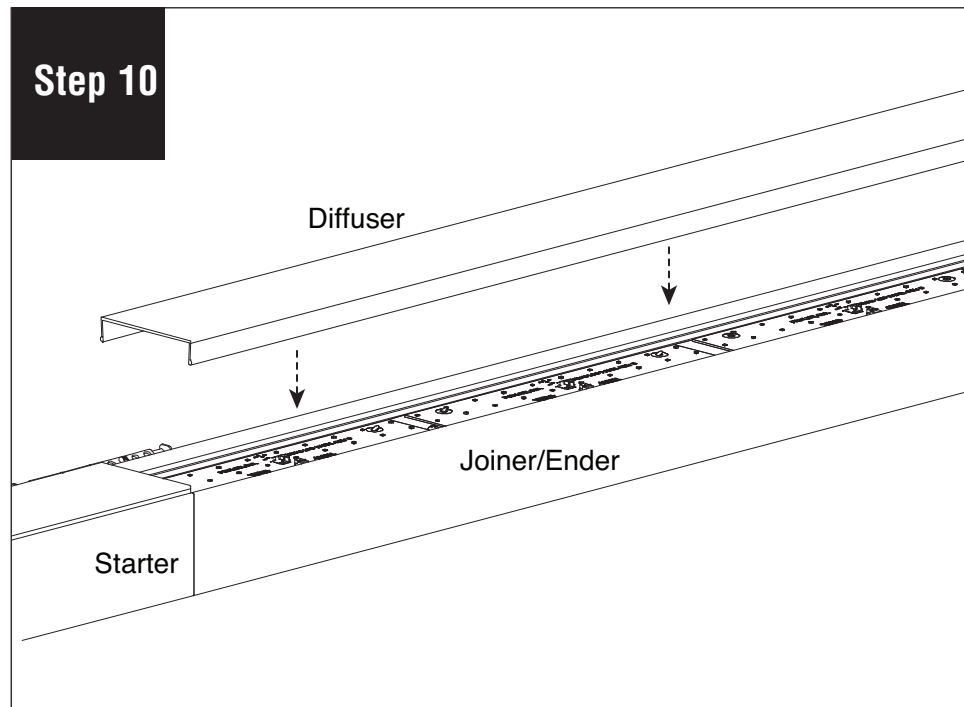
Install two #8-18 x 1/4" screws (provided) onto aligner sleeve. Replace trap door and fasten trap door screws.



Install light leak covers on all joints.



Install #8-18 x 1/4" adjustment screws (provided) onto mounting brackets. Use screws to level luminaire. Tighten to raise and loosen to lower.



Reinstall Top Glow™ diffuser and turn on luminaire. **NOTE:** If part of a longer run, diffuser will be reinstalled back into original luminaire section as lengths vary.

**Note:** All power connections to be installed to local/national codes by a Certified Electrician.