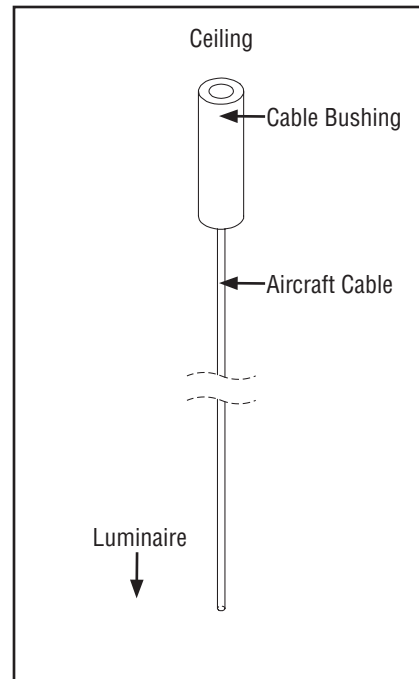


# HP-6 Direct Starter/Independent Installation Instructions

Scan QR code for helpful video(s)

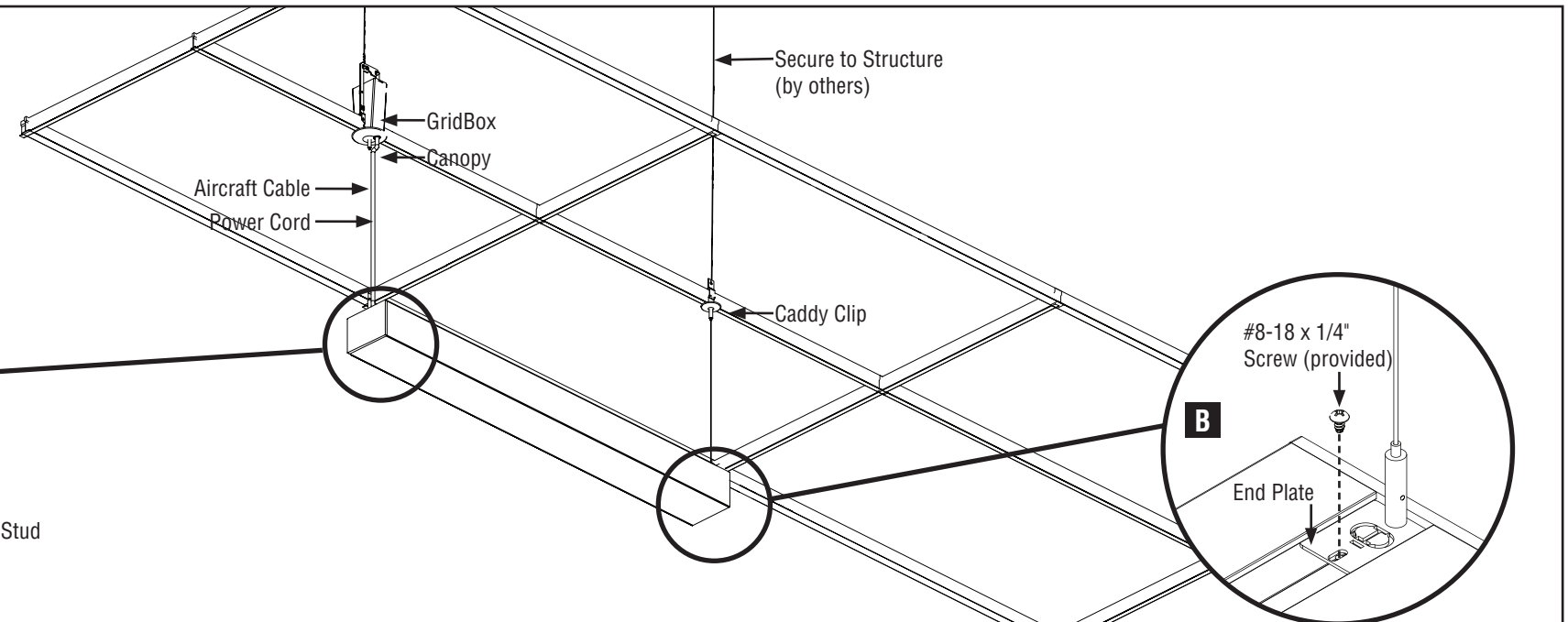
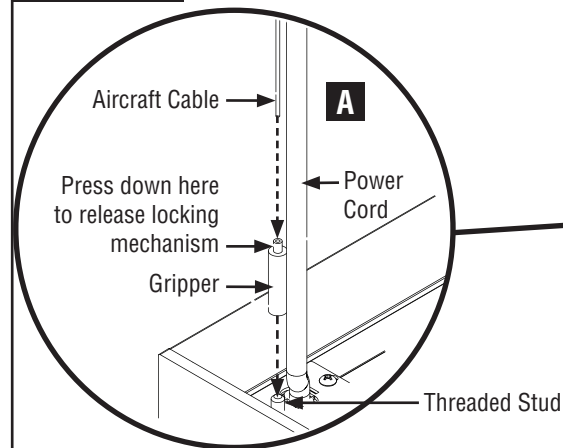


0 - 10V Dimming



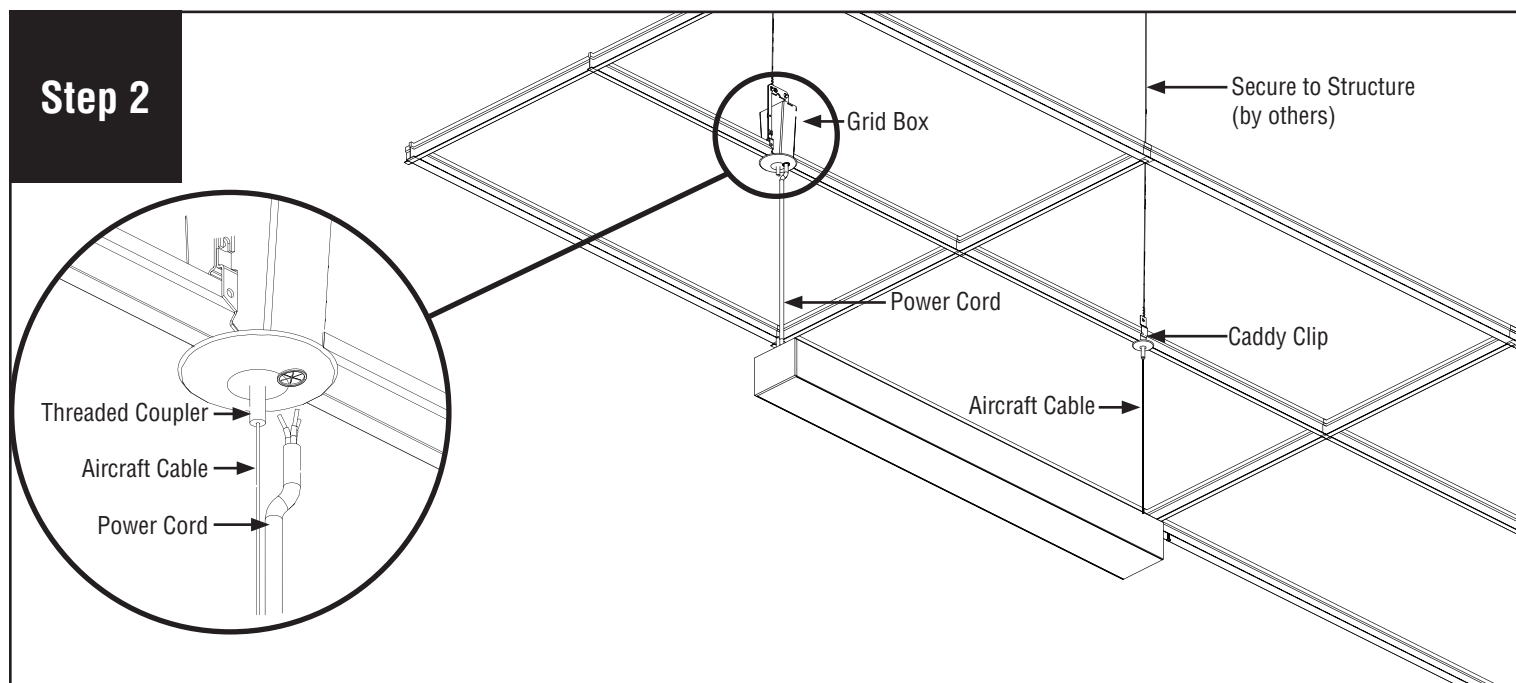
Locate aircraft cables.

## Step 1



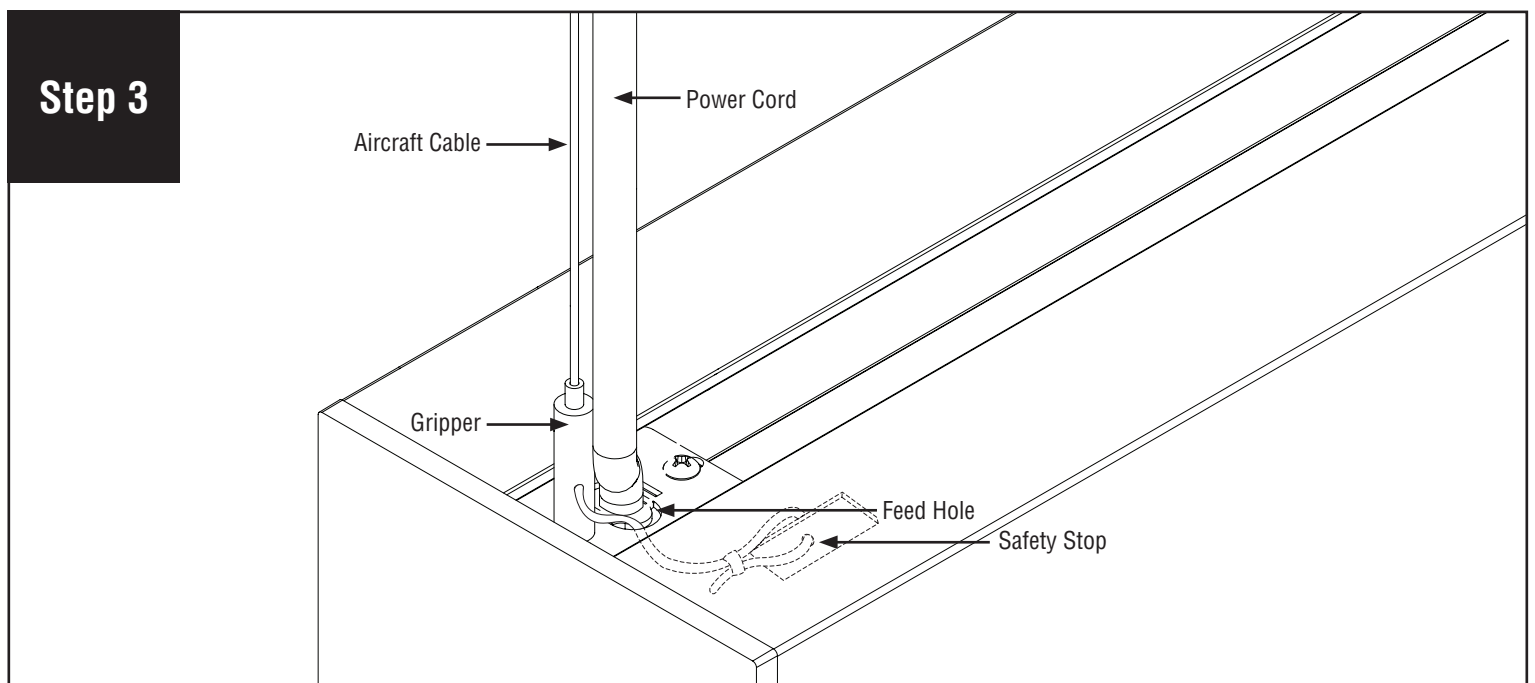
Install grippers onto threaded studs on both ends of the luminaire. Install GridBox™ and caddy clip onto ceiling grid, then canopies and aircraft cable assemblies. **A.** Align aircraft cables to grippers and insert on both ends of the luminaire. Adjust pendant to proper height and level. Press down on top of gripper to release locking mechanism if needed. Secure luminaire to structure using tie-wire (supplied by others) according to code. **B.** End plates are adjustable for custom mounting locations. Remove #8-18 x 1/4" screw (provided) from end plate, then slide end plate to desired location and reinstall #8-18 x 1/4" screw.

## Step 2



Install power cable through canopy and into GridBox™. Make electrical connections in GridBox. **NOTE:** Purple and gray wires in power cord are for Low Voltage Control.

## Step 3



Slide safety stop and safety crimp up to the aircraft cable within 9" of cable gripper. Trim excess cable and insert safety bar assembly through feed hole. Turn power on to luminaire.

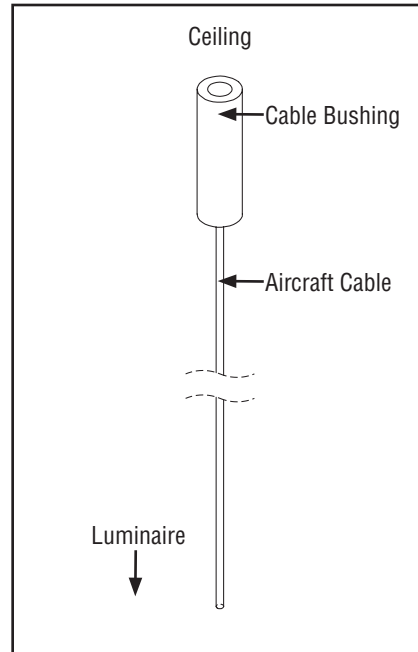
**Note:** All power connections to be installed to local/national codes by a Certified Electrician.

# HP-6 Direct Joiner/Ender Installation Instructions

Scan QR code for helpful video(s)

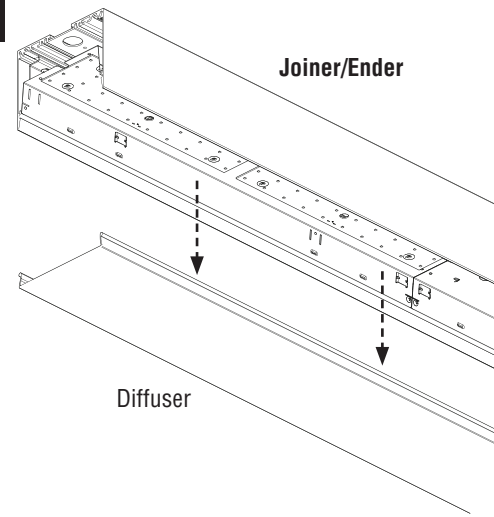


0 - 10V Dimming



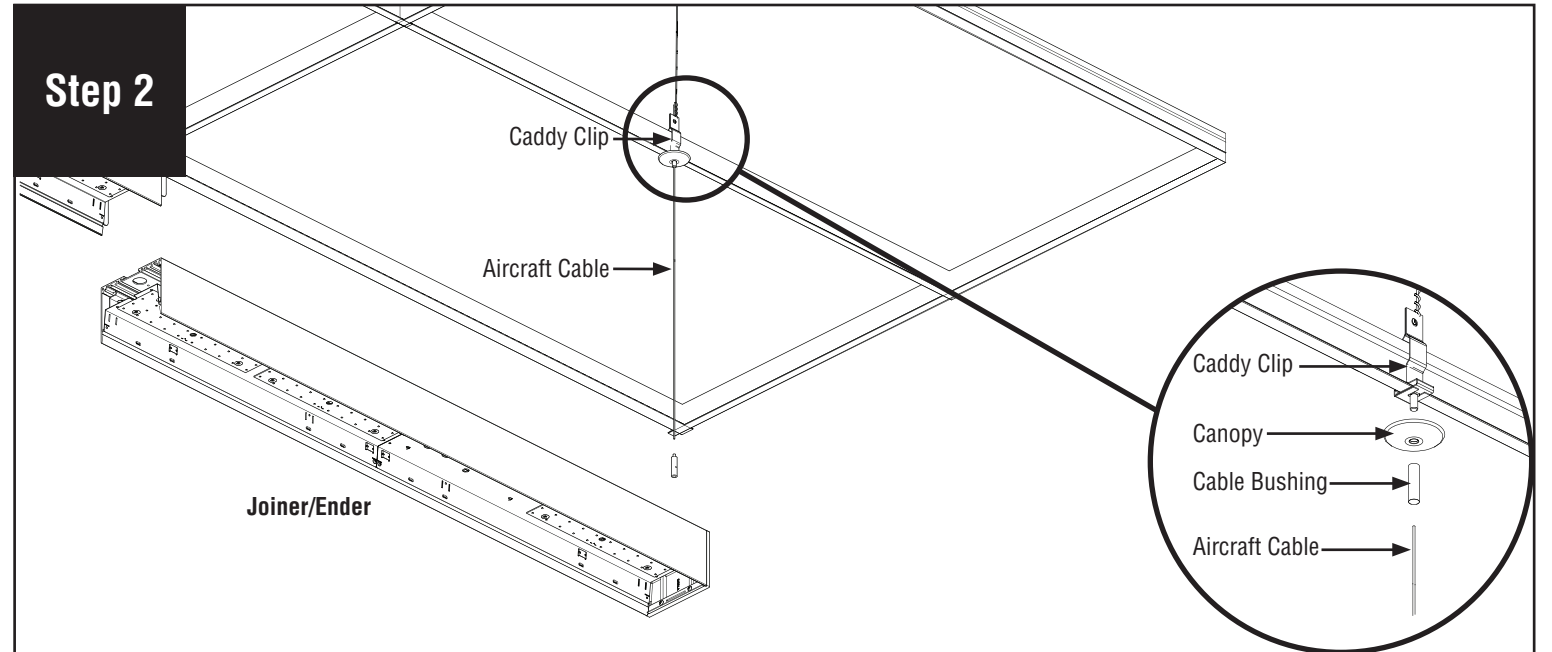
Locate aircraft cables.

## Step 1



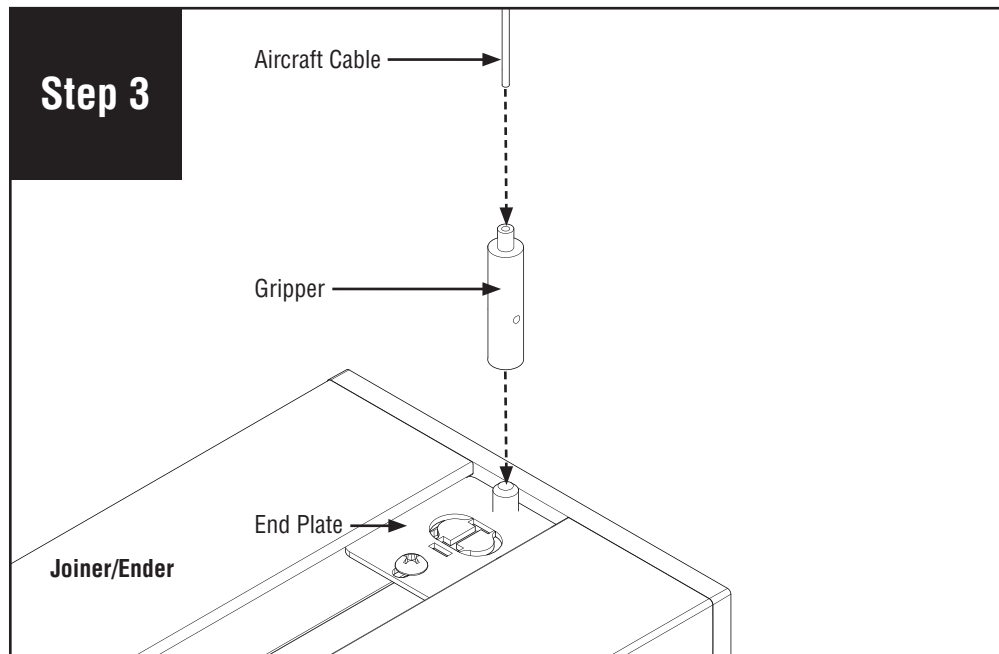
Remove diffusers and set aside to prevent it from getting dirty or damaged. **NOTE:** If part of a longer run, diffuser will be reinstalled back into original luminaire section as lengths vary.

## Step 2



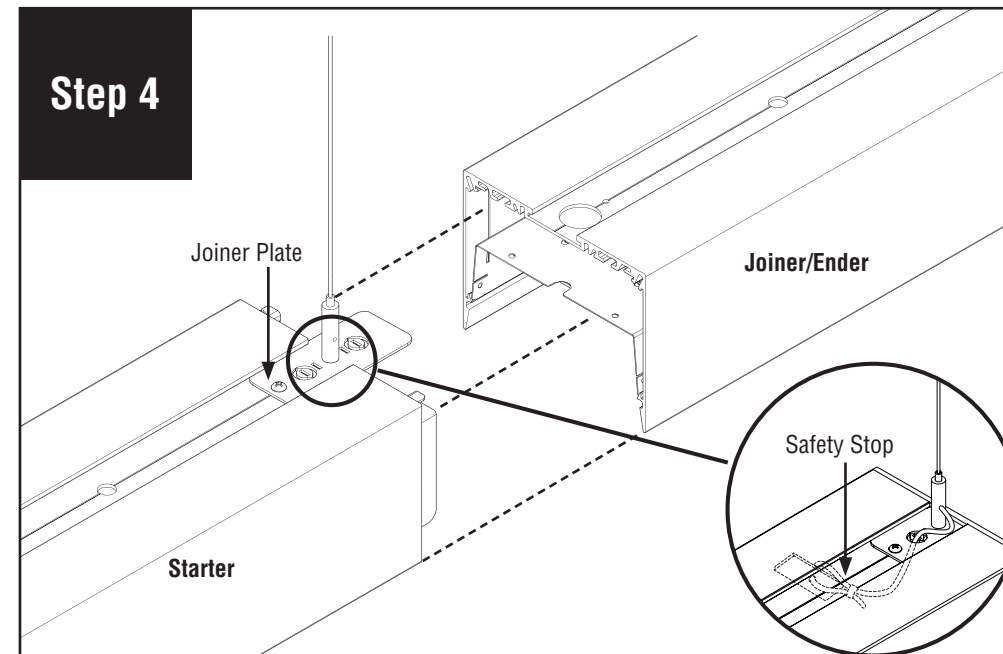
Make sure starter or previously installed joiner luminaire is level before attempting to install joiner luminaire. Install caddy clip for joiner/ender. Install canopy, cable bushing and aircraft cable into caddy clip.

## Step 3



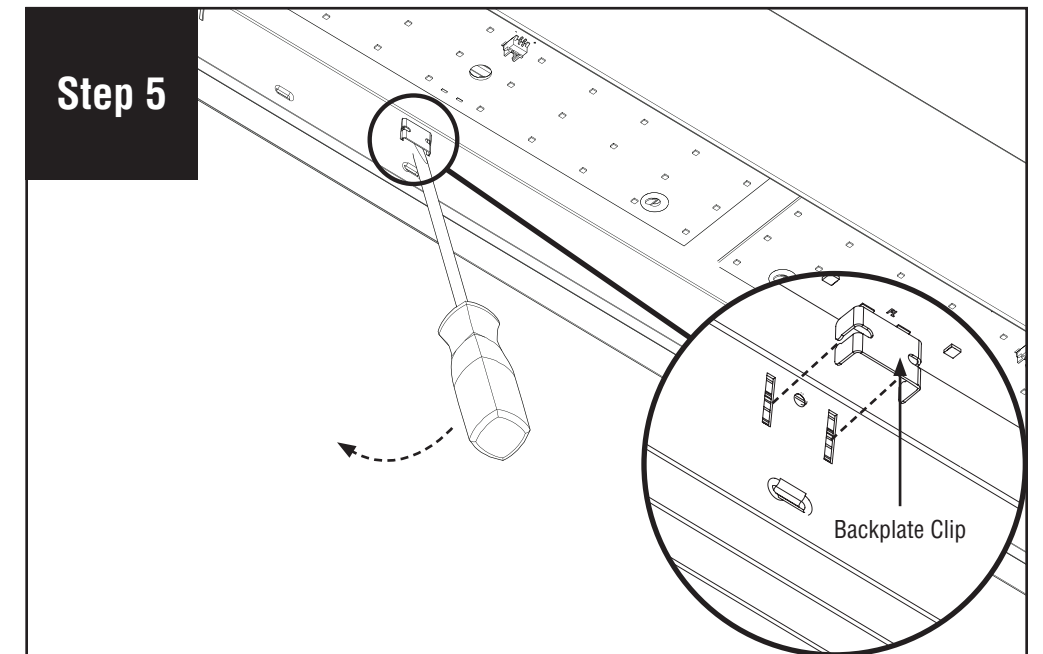
Install gripper onto end plate of luminaire then install aircraft cable into gripper. Adjust pendant to proper height and level.

## Step 4



Align starter and joiner/ender luminaires and slide luminaires together. Be careful not to damage any wiring. Slide safety stop and safety crimp up to the aircraft cable within 9" of cable gripper. Trim excess cable and insert safety bar assembly through feed hole. Ensure joiner luminaire is level by raising or lowering the opposite end of the joiner luminaire.

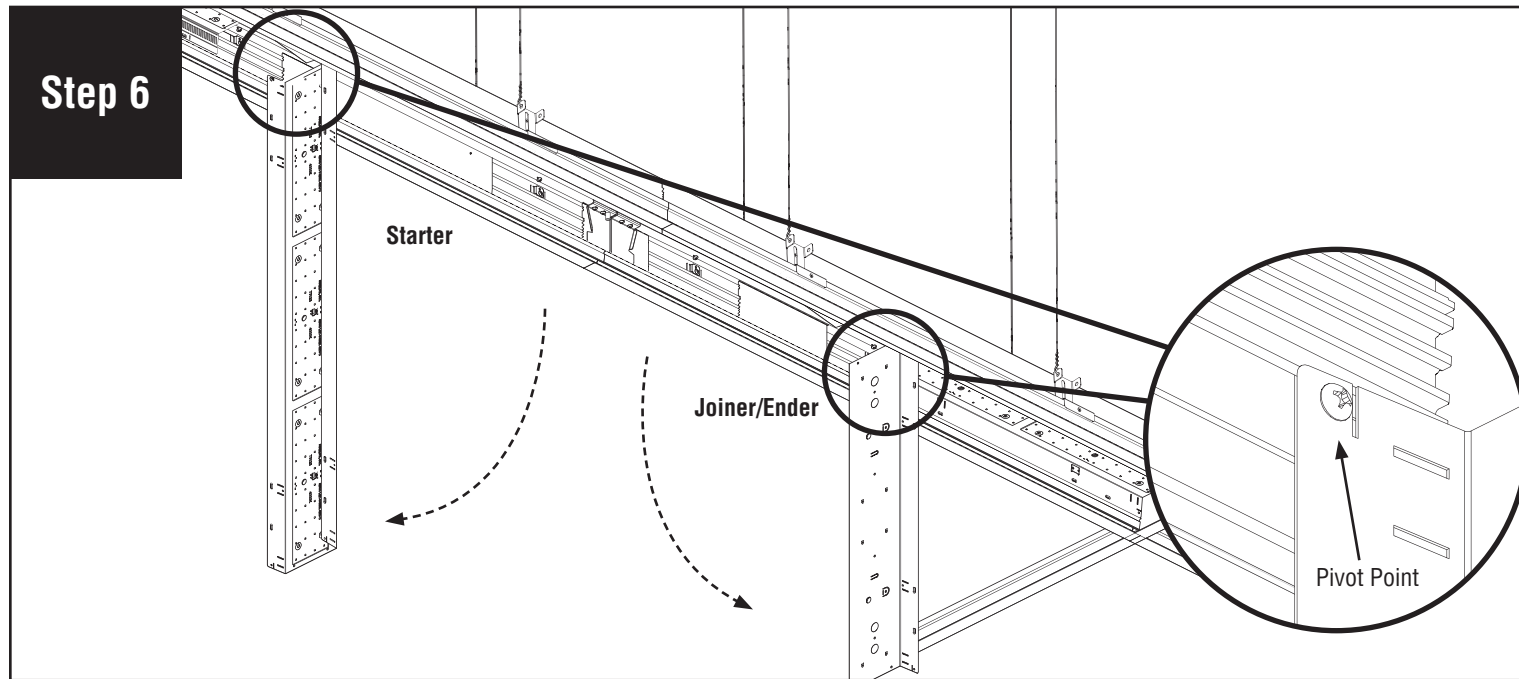
## Step 5



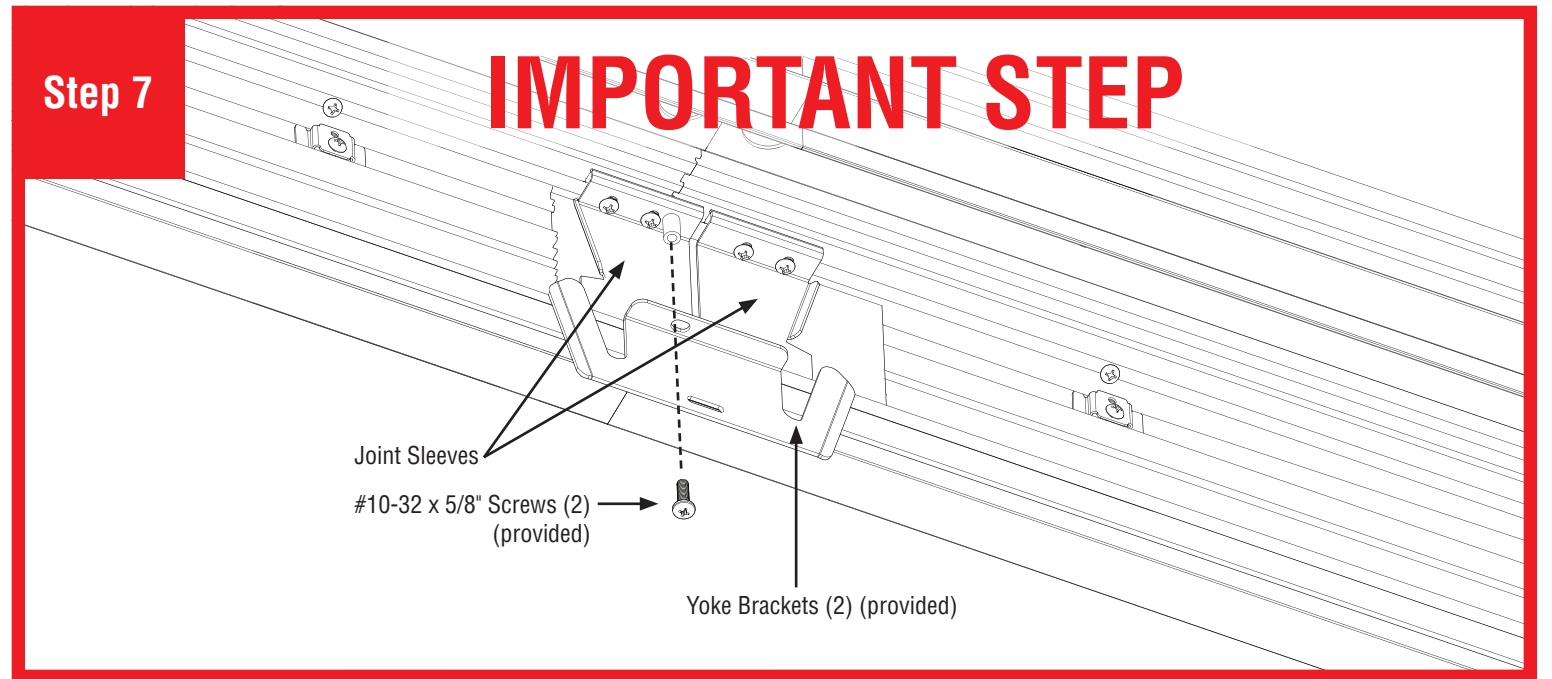
Remove backplate clips to release the backplate that is covering where you need access. We recommend using a flat head screwdriver to get them loose. **CAUTION: Do not lose these pieces.**

**Note:** All power connections to be installed to local/national codes by a Certified Electrician.

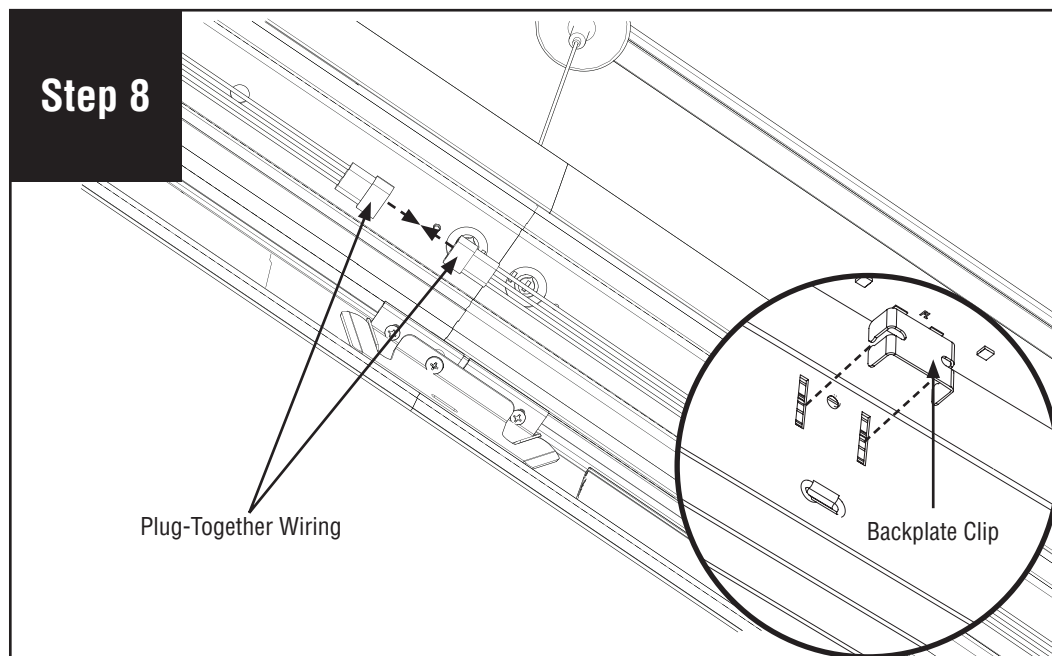
# HP-6 Direct Joiner/Ender Installation Instructions



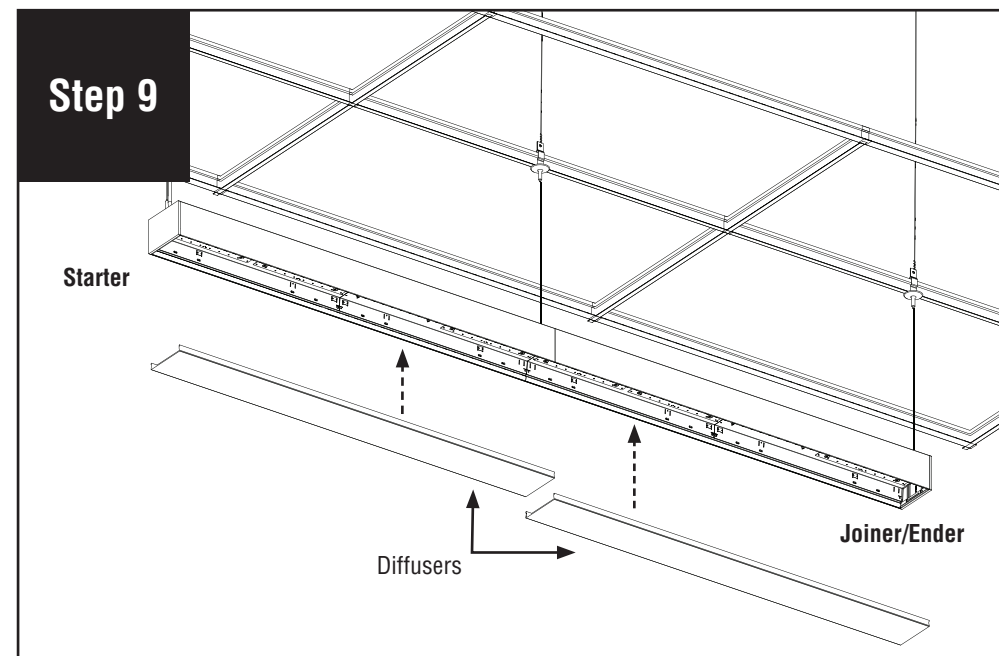
Slowly swing down backplate. **CAUTION: Do not twist the backplate when swinging down – it will come out of the support extrusion.** Note that the screws shown are the pivot point, and the backplate can be slid a few inches either way for ease of access to the driver space.



**IMPORTANT STEP:** Secure joint with two yoke brackets (provided) using 2 #10-32 x 5/8" screws (provided). When installed correctly these brackets will pull luminaires together to make a tight joint. **CAUTION: Do not over-tighten.**



Connect plug-together wiring. Re-position the backplates and secure by reinstalling the backplate clips. Make sure wire connections are not pinched. (If a 1ft. backplate assembly is near joint, reconnect feed harness to LED board.)



Reinstall diffusers and turn power on to luminaire. **NOTE:** If part of a longer run, diffuser will be reinstalled back into original luminaire section as lengths vary.

**Note:** All power connections to be installed to local/national codes by a Certified Electrician.