

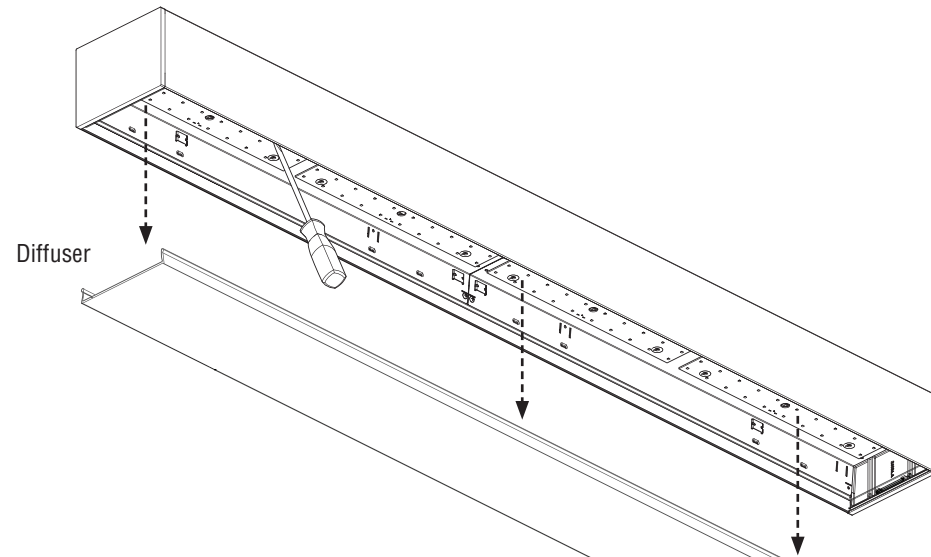
# HP-6 Driver Replacement Installation Instructions

Scan QR code for helpful video(s)



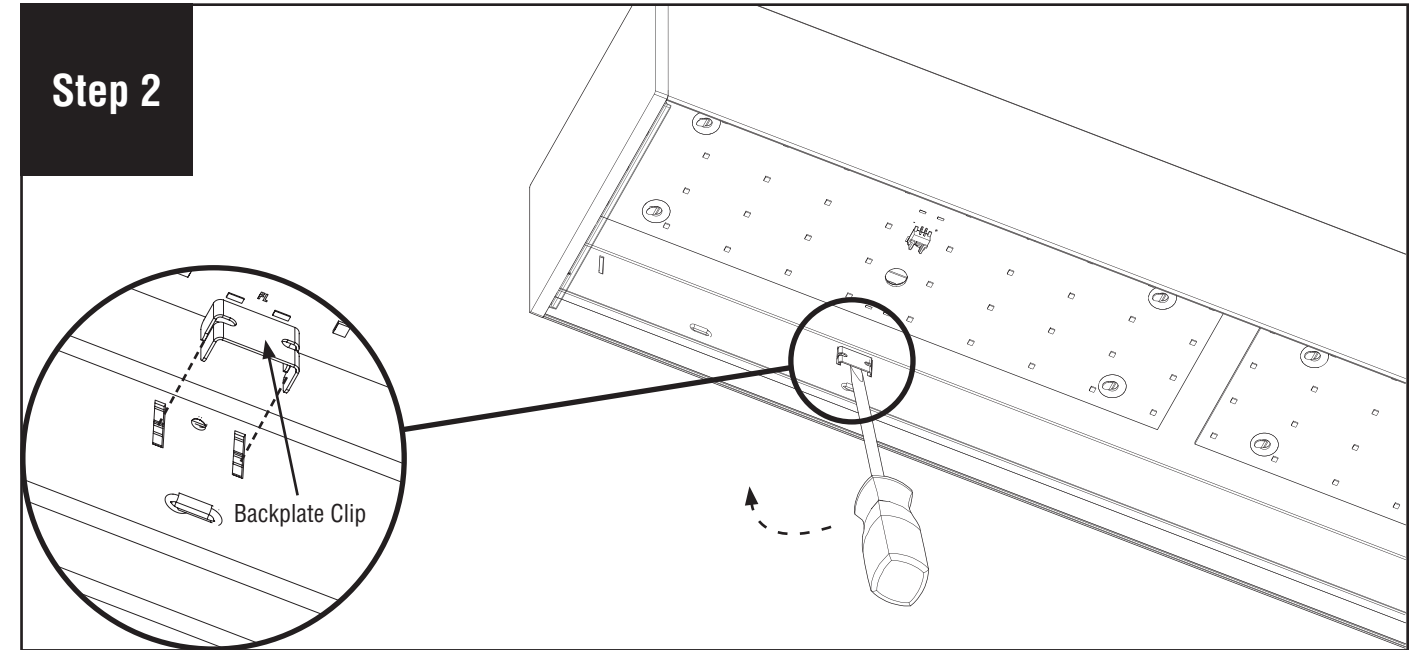
0 - 10V Dimming

## Step 1



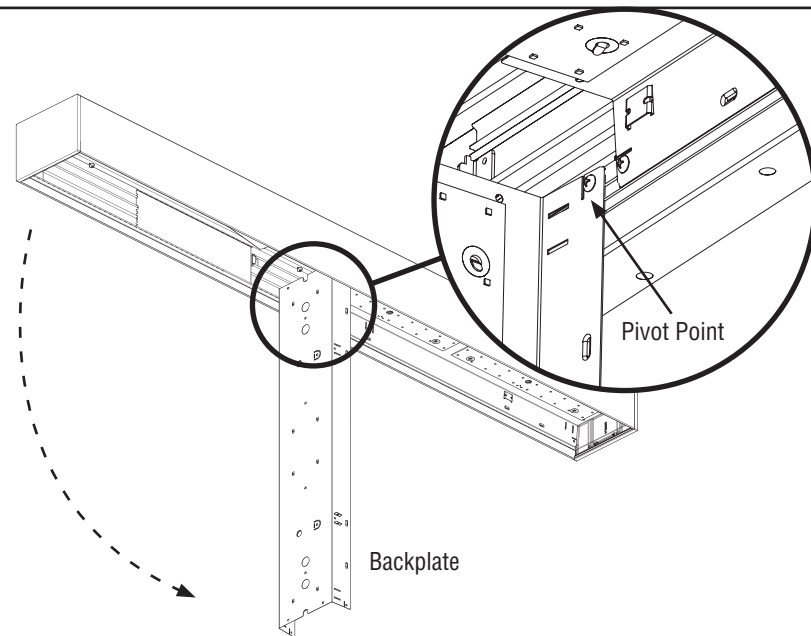
Remove diffuser and set aside to prevent it from getting dirty or damaged. **NOTE:** If part of a longer run, diffuser will be reinstalled back into original luminaire section as lengths vary.

## Step 2



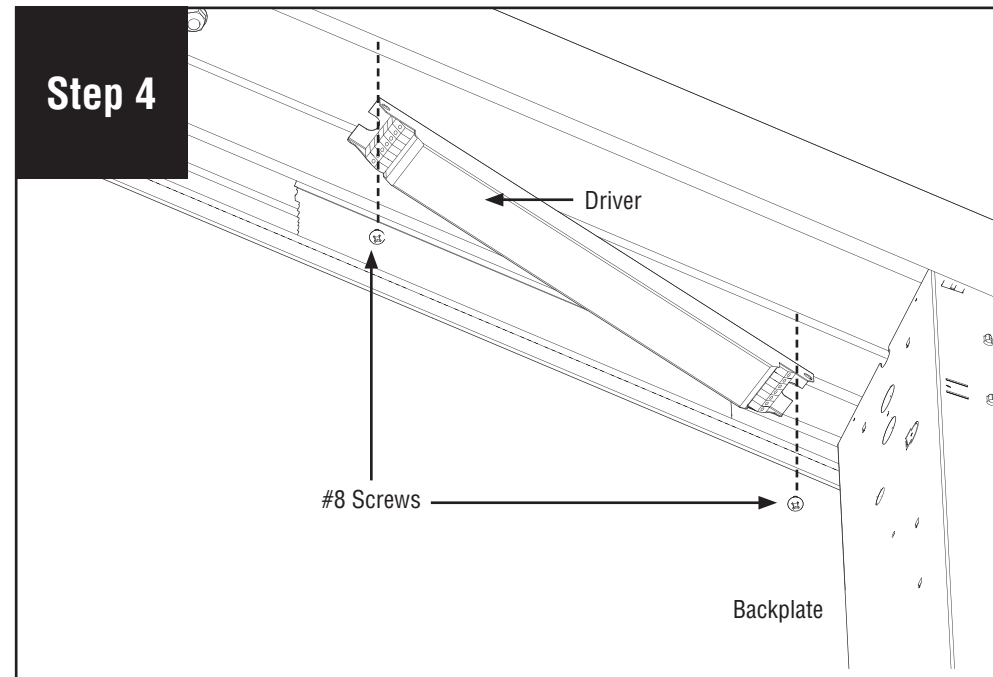
Remove backplate clips to release the backplate. We recommend using a flat head screwdriver to get them loose. **CAUTION: Do not lose these pieces.**

## Step 3



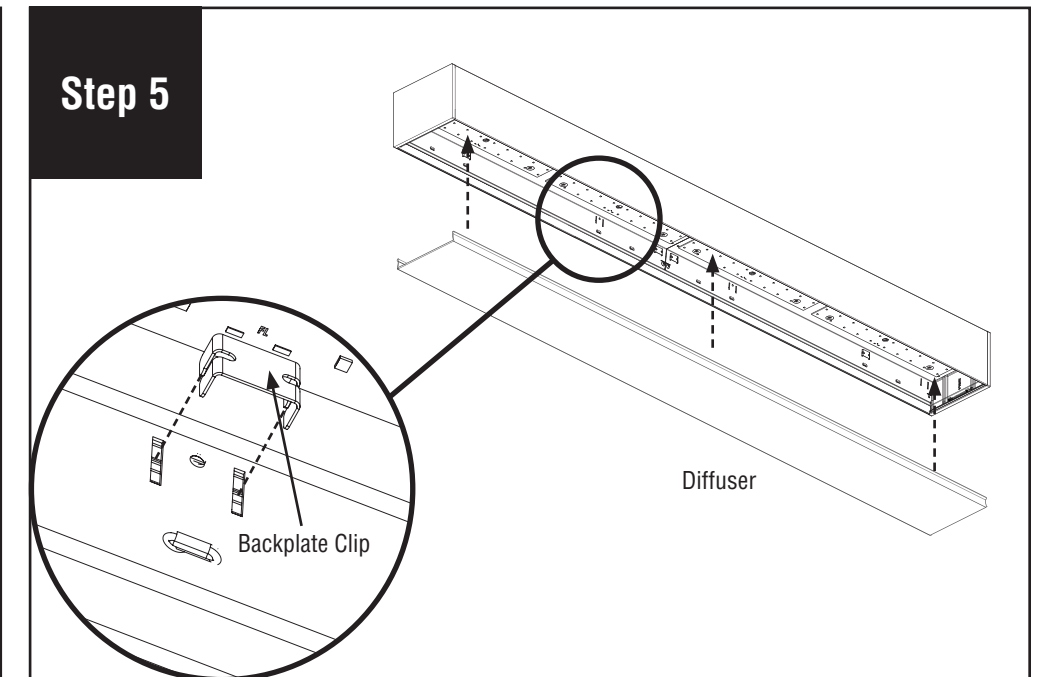
Slowly swing down backplate. **CAUTION: Do not twist the backplate when swinging down – it will come out of the support extrusion.** Note that the screws shown are the pivot point, and the backplate can be slid a few inches either way for ease of access to the driver space.

## Step 4



Remove #8 screws that attach the driver to the body screw channels. Disconnect all wiring from the driver.

## Step 5



Replace new driver and reconnect all wiring. Replace backplate by returning it to its original position and reinstalling the backplate clips. Replace diffuser and turn on power to luminaire.

**Note:** All power connections to be installed to local/national codes by a Certified Electrician.