

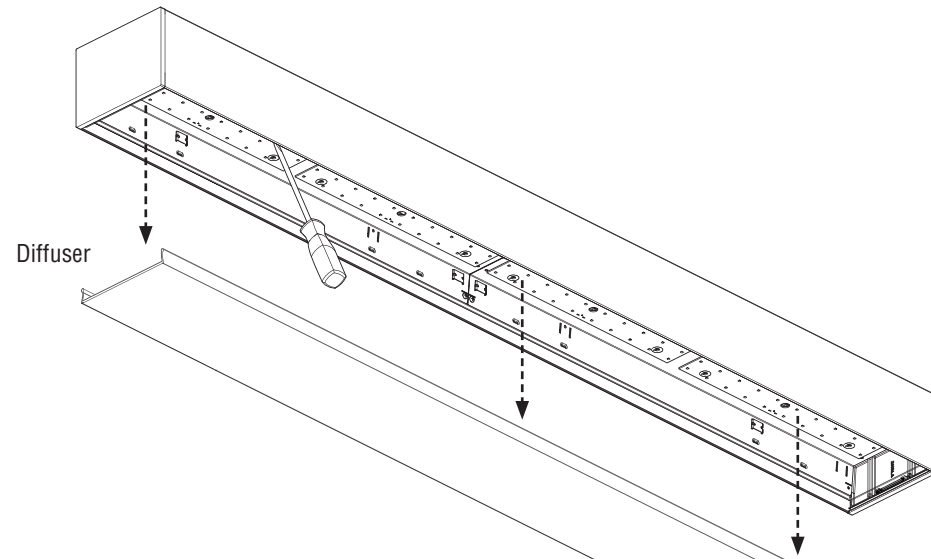
HP-6 Engine Replacement Installation Instructions

Scan QR code for helpful video(s)



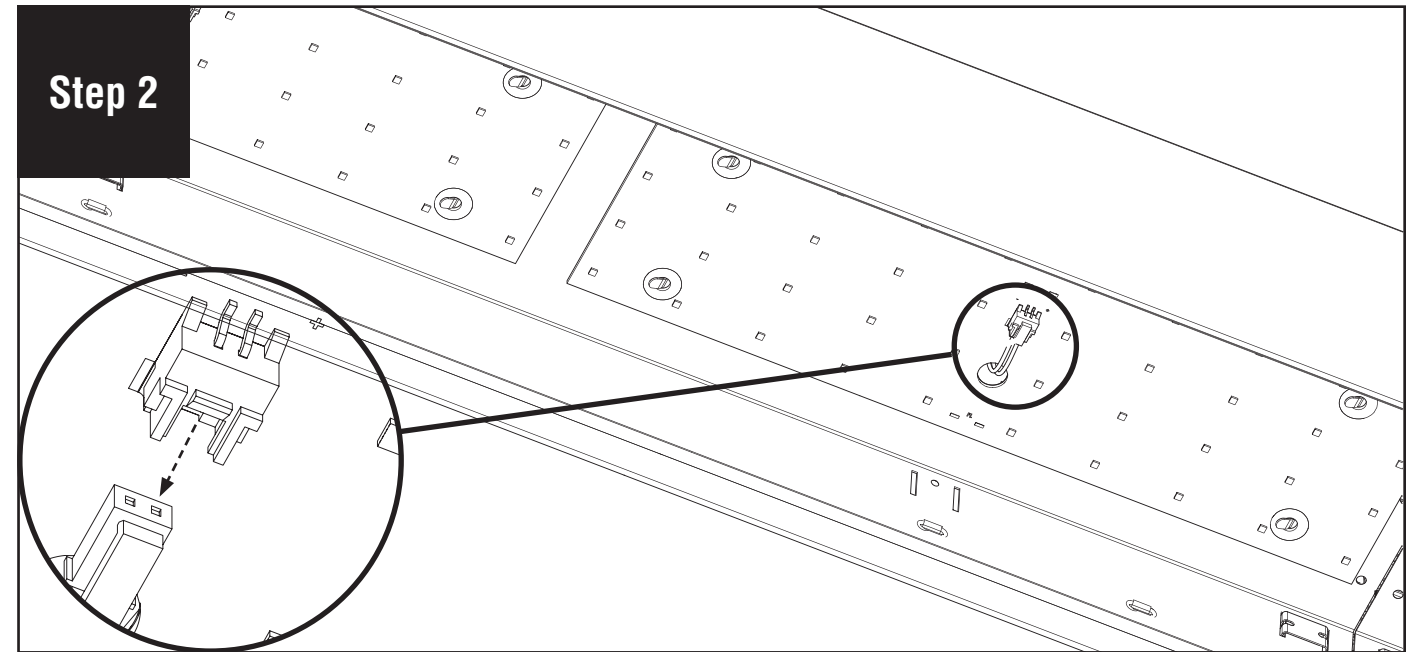
0 - 10V Dimming

Step 1



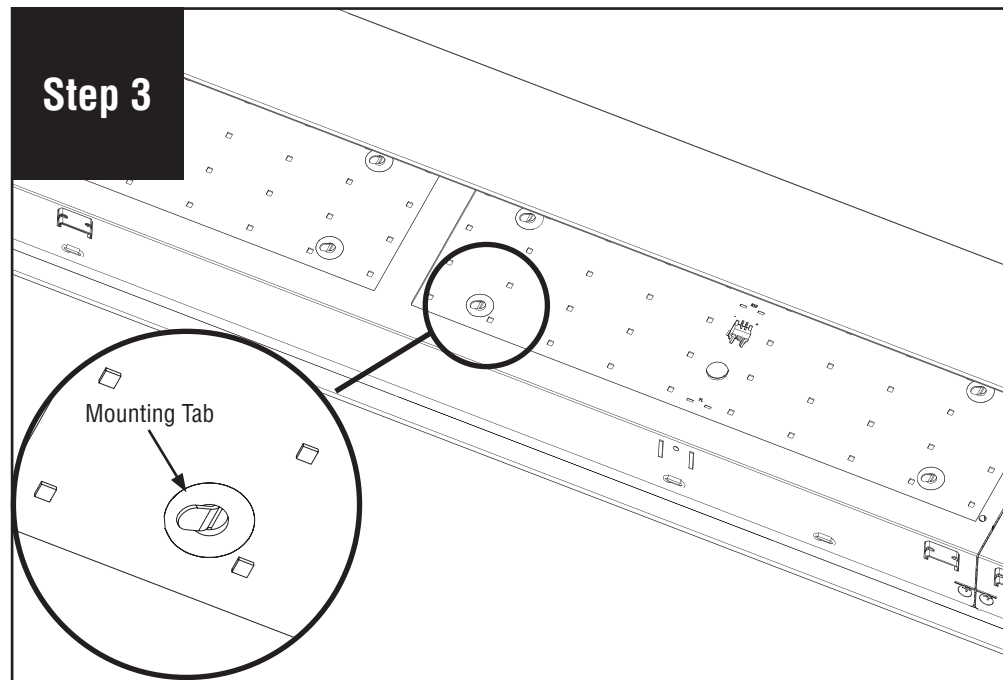
Remove diffuser and set aside to prevent it from getting dirty or damaged. **NOTE:** If part of a longer run, diffuser will be reinstalled back into original luminaire section as lengths vary.

Step 2



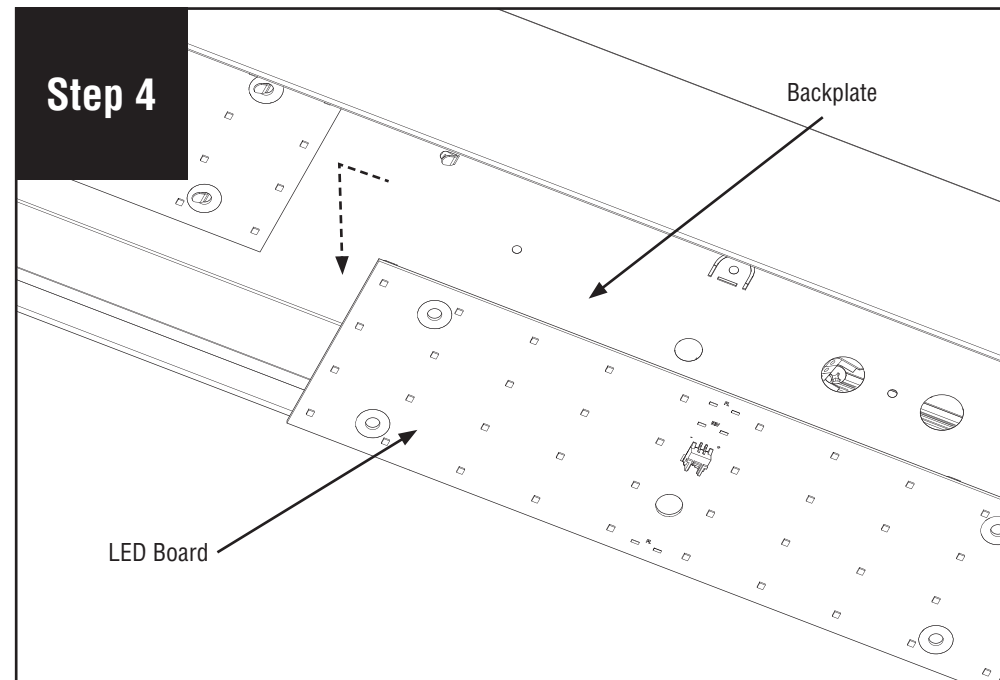
Disconnect the feed harnesses from LED boards.

Step 3



Shift LED board away from the Mounting Tab. Bend tabs open if needed.

Step 4



Lift LED board away from the back plate. Replace new LED board, bend tabs down to secure. Reconnect feed harnesses. Reinstall diffuser and turn power on to luminaire.

Note: All power connections to be installed to local/national codes by a Certified Electrician.