

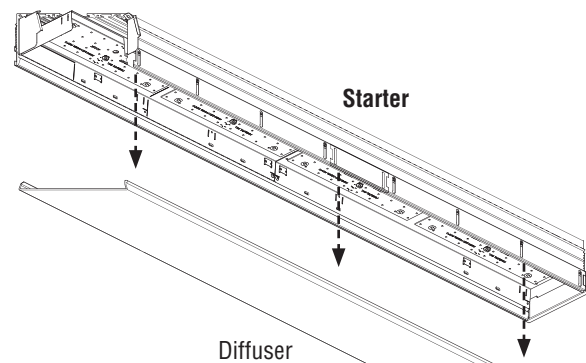
HP-6 Recessed 1" T-Bar Mitered Corner Installation Instructions

Scan QR code for helpful video(s)



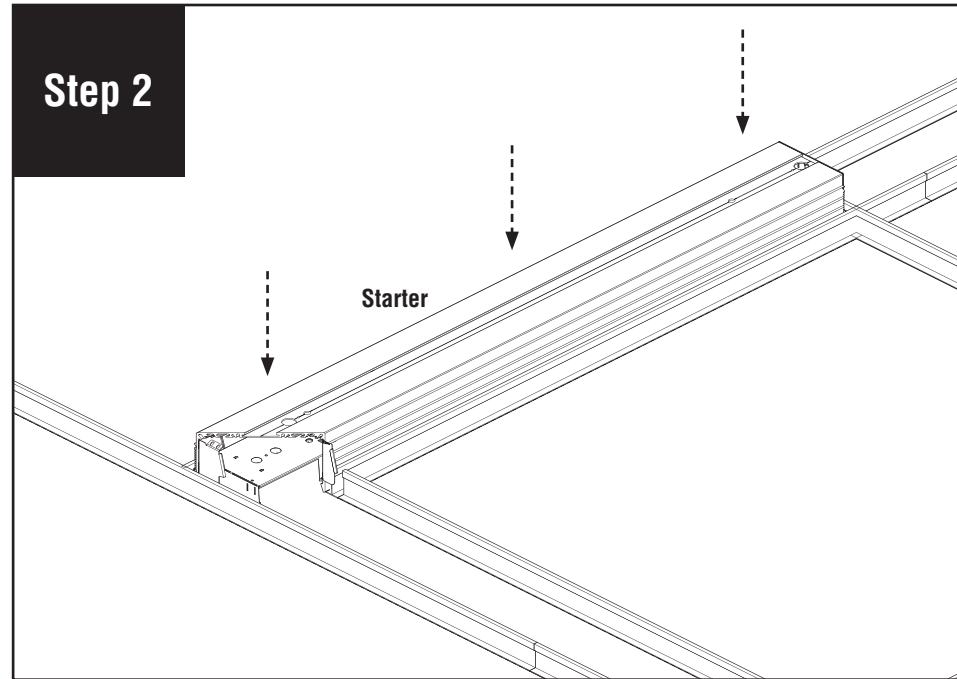
0 - 10V Dimming

Step 1



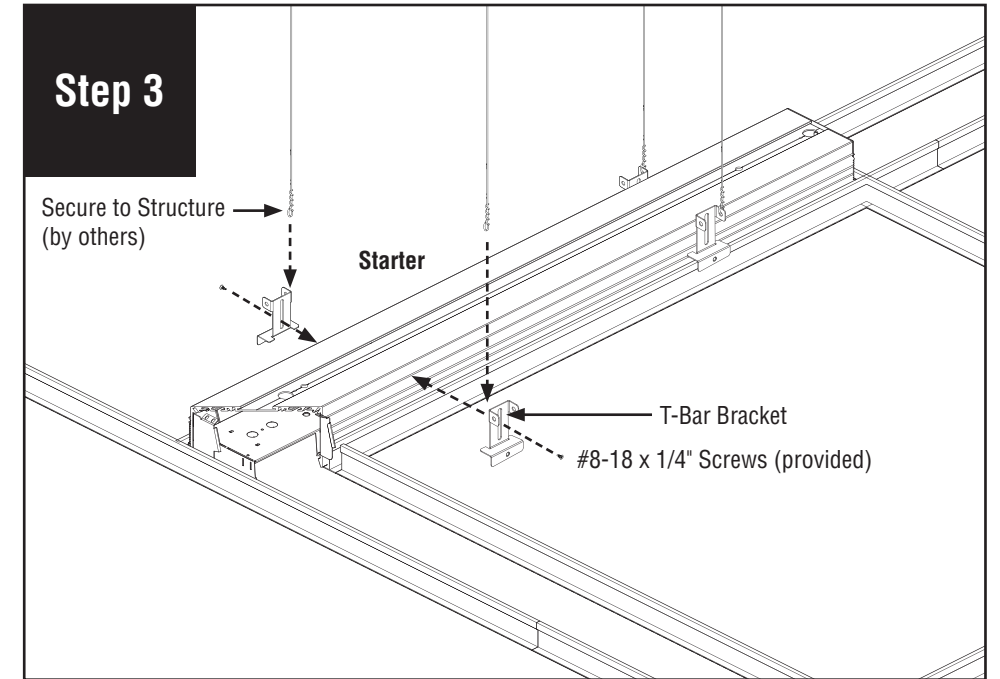
Remove diffusers and set aside to prevent it from getting dirty or damaged. **NOTE:** If part of a longer run, diffuser will be reinstalled back into original luminaire section as lengths vary.

Step 2



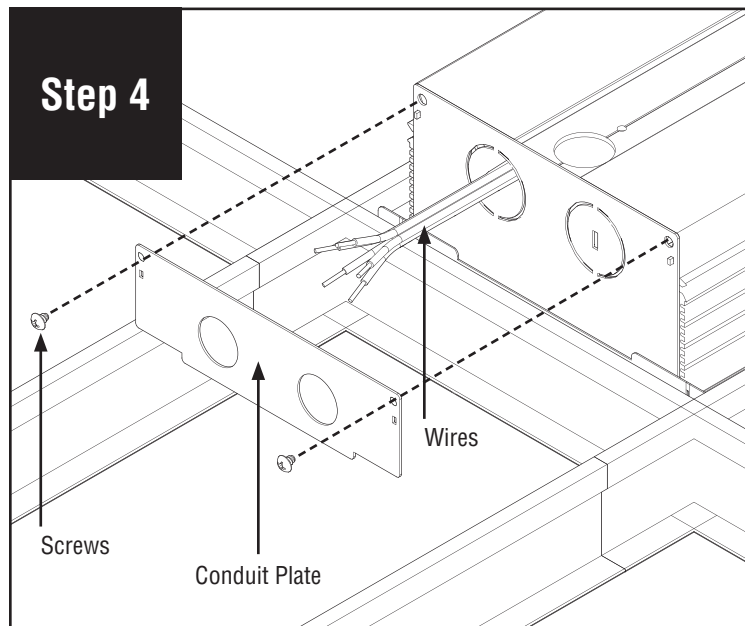
Install starter luminaire on to T-Bar.

Step 3



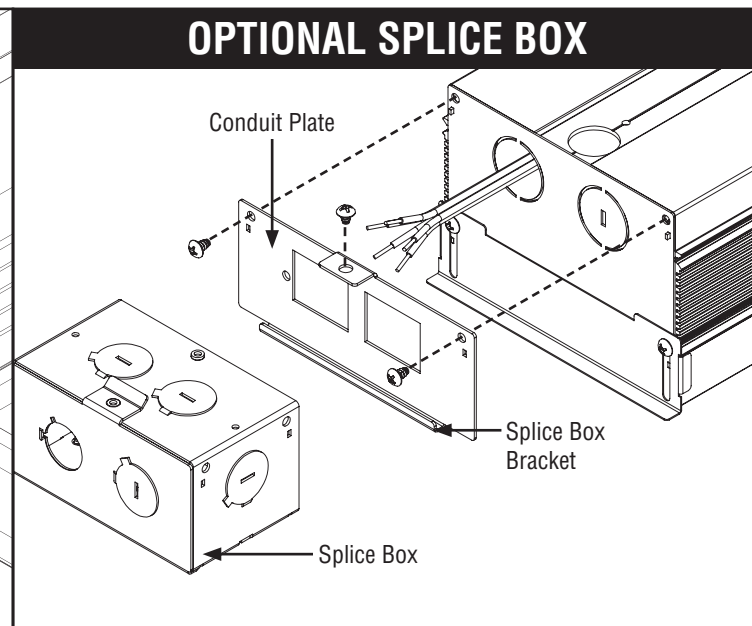
Install T-Bar bracket onto luminaire. Secure with #8-18 x 1/4" screws (provided). Secure luminaire to structure using tie-wire (by others), as per code.

Step 4



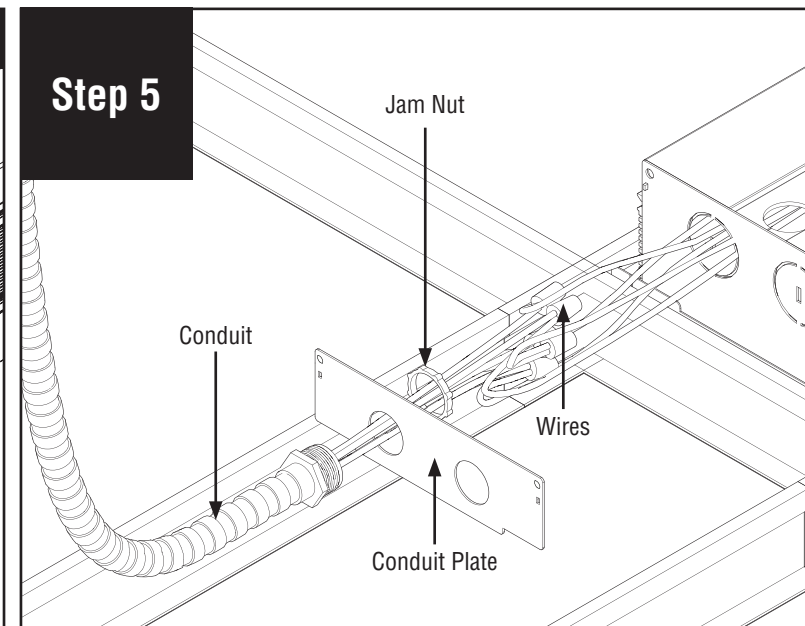
Remove conduit plate from luminaire. **NOTE:** Purple and gray wires are for Low Voltage Control.

OPTIONAL SPLICE BOX



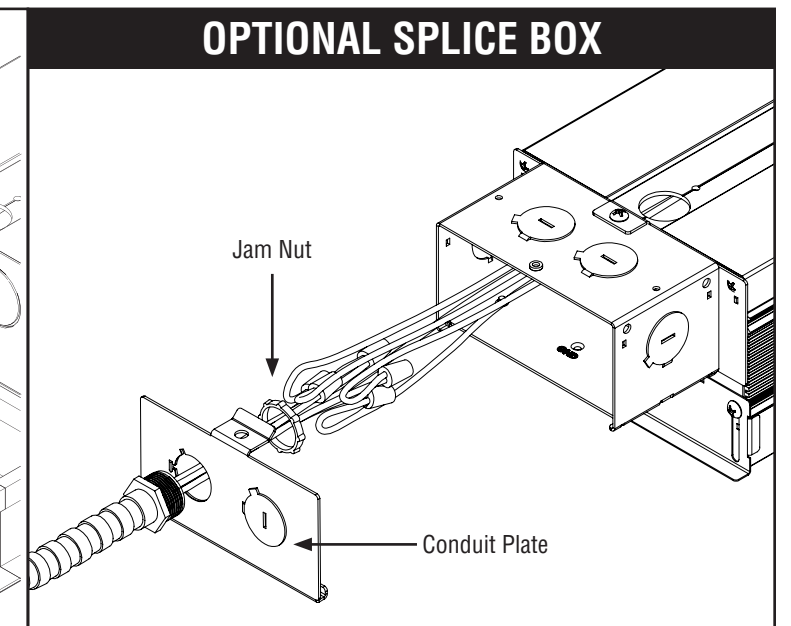
Attach optional splice box to conduit plate by hooking onto splice box bracket. Insert wires through feed hole.

Step 5



Run power cables through conduit plate and jam nut. Make electrical connections. Secure conduit onto conduit plate with jam nut, and reinstall conduit plate carefully not to damage any wiring.

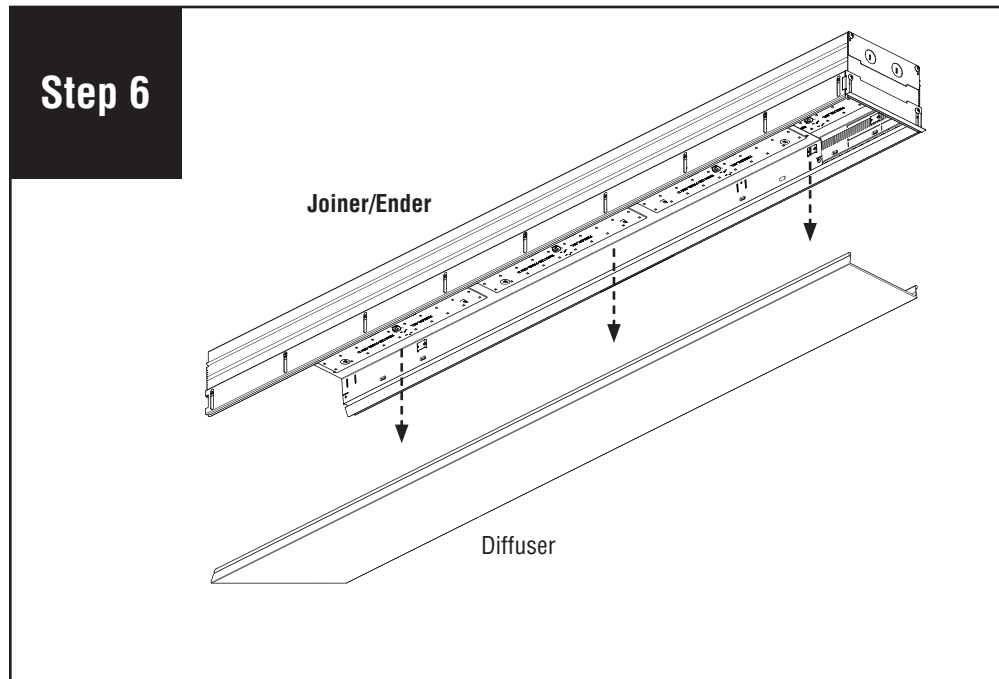
OPTIONAL SPLICE BOX



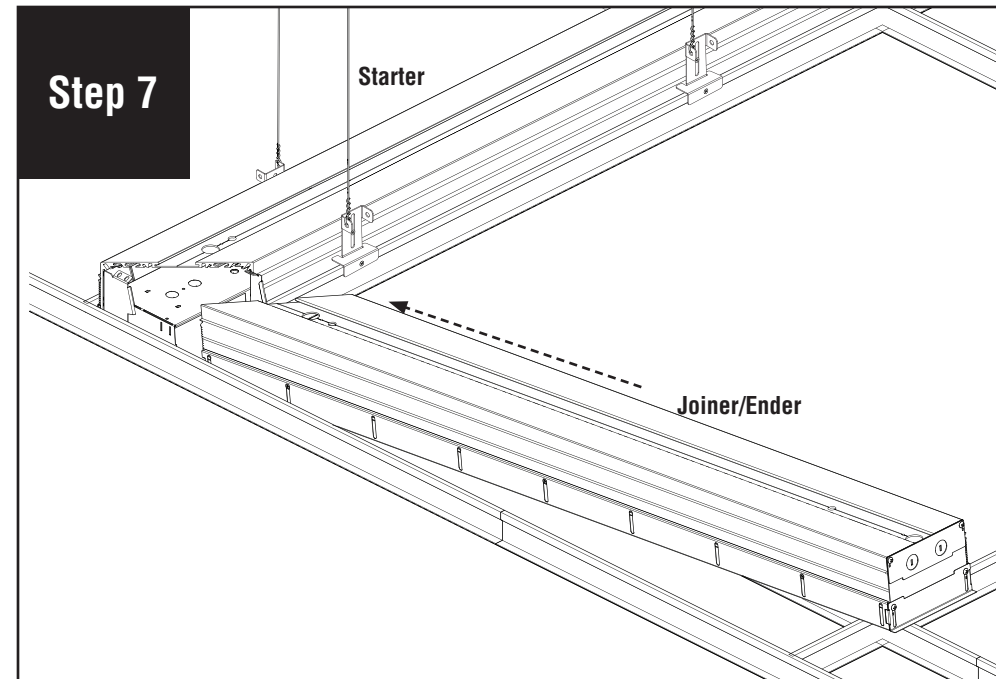
Run power cable through knock-out. Make electrical connection. Secure conduit on to splice box with jam nut and close conduit plate.

Note: All power connections to be installed to local/national codes by a Certified Electrician.

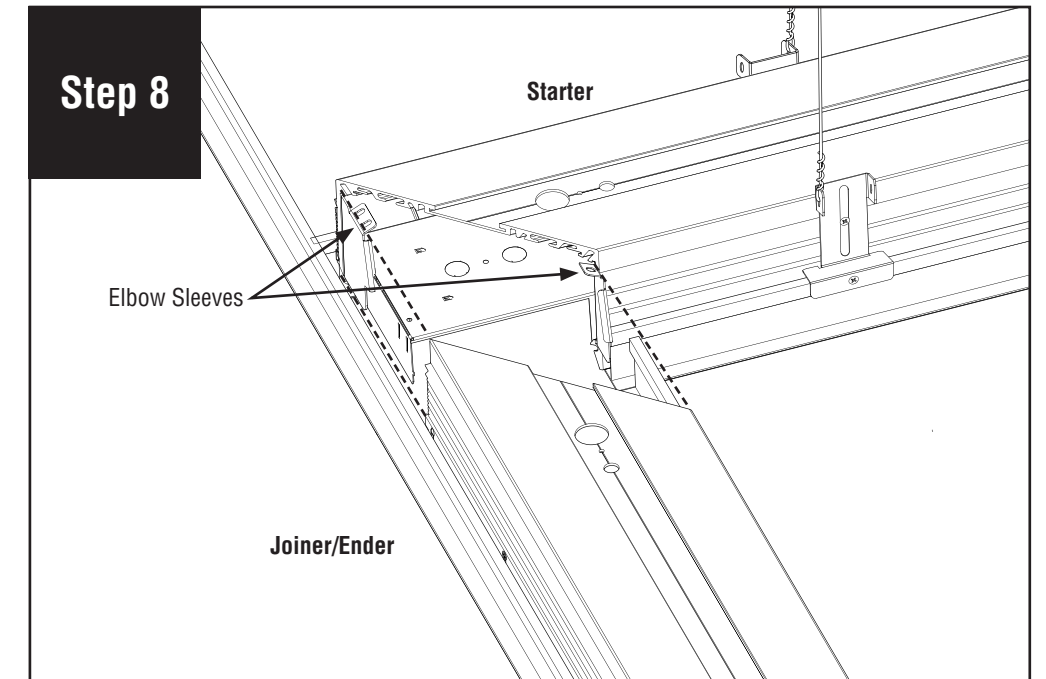
HP-6 Recessed 1" T-Bar Mitered Corner Installation Instructions



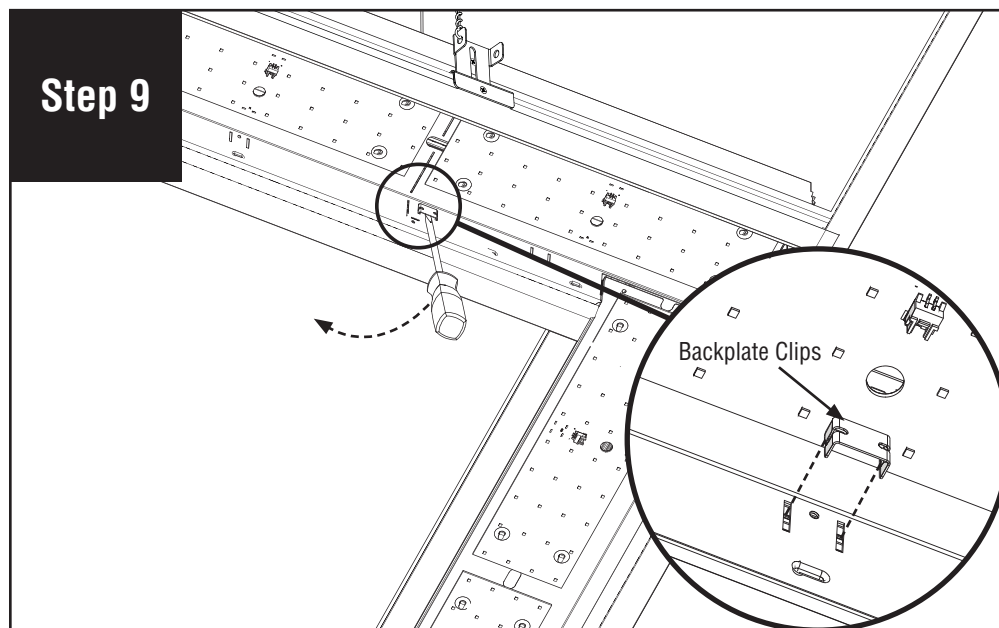
Remove diffusers from joiner/ender and set aside to prevent it from getting dirty or damaged. **NOTE:** If part of a longer run, diffuser will be reinstalled back into original luminaire section as lengths vary.



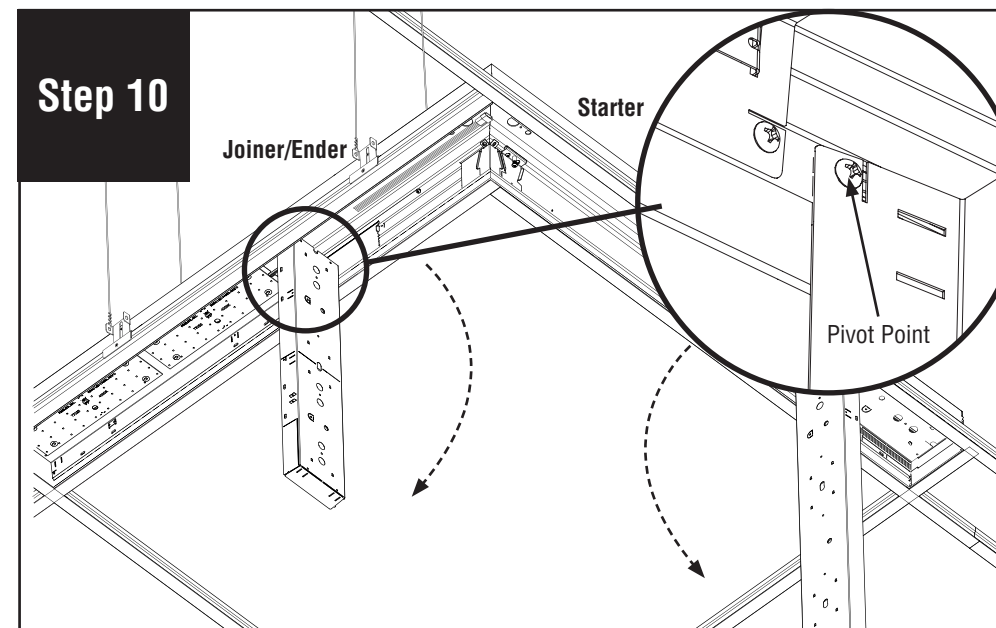
Slide joiner/ender luminaire onto T-Bar.



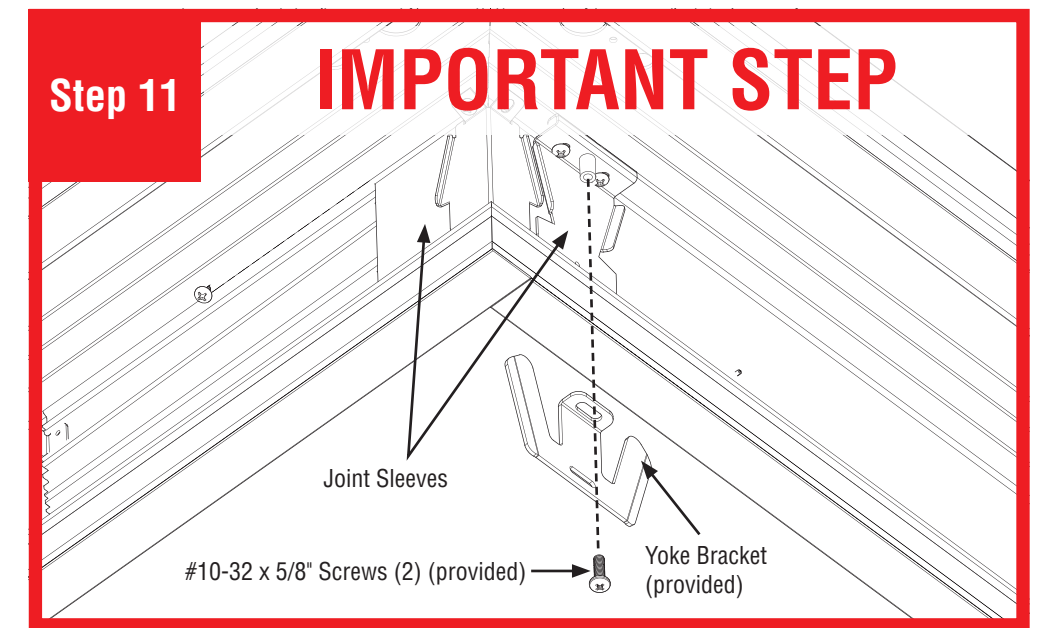
Align elbow sleeves with channels in luminaire body. Slide joiner/ender onto starter.



Remove backplate clips to release the backplates at corner joint. We recommend using a flat head screwdriver to get them loose. **CAUTION: Do not lose these pieces.**



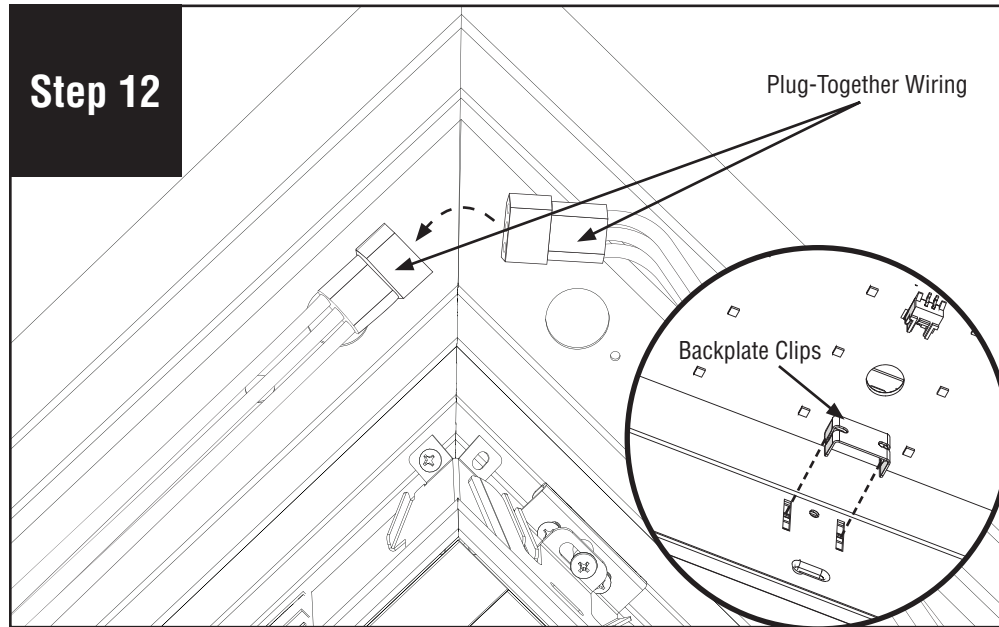
Slowly swing down backplates. **CAUTION: Do not twist the backplate when swinging down – it will come out of the support extrusion.** Note that the screws shown are the pivot point, and the backplate can be slid a few inches either way for ease of access to the driver space.



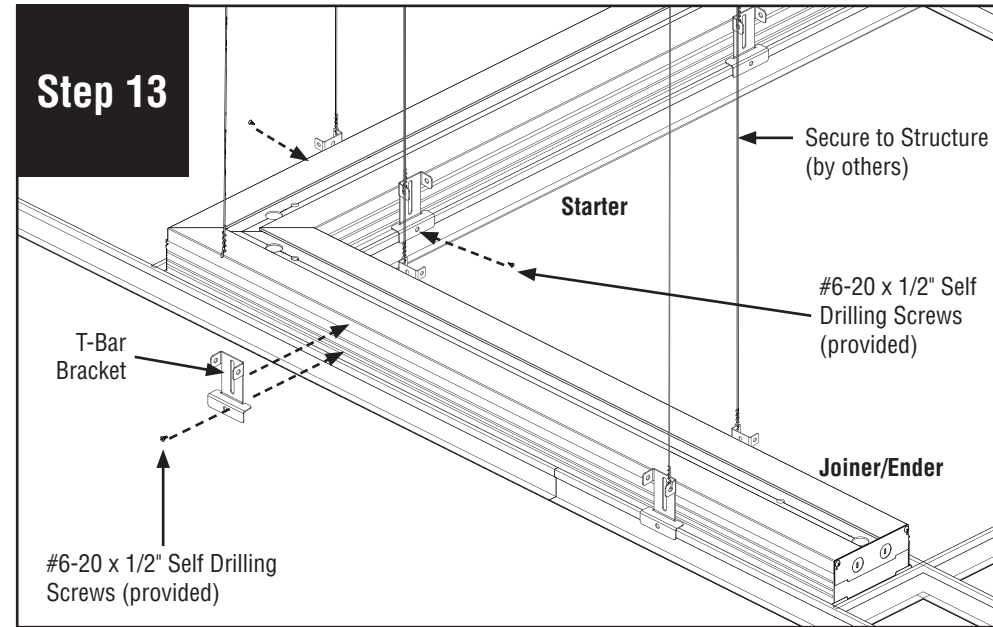
IMPORTANT STEP: Secure joint with two yoke brackets (provided) using 2 #10-32 5/8" screws (provided). When installed correctly these brackets will pull luminaires together to make a tight joint. **CAUTION: Do not over-tighten.**

Note: All power connections to be installed to local/national codes by a Certified Electrician.

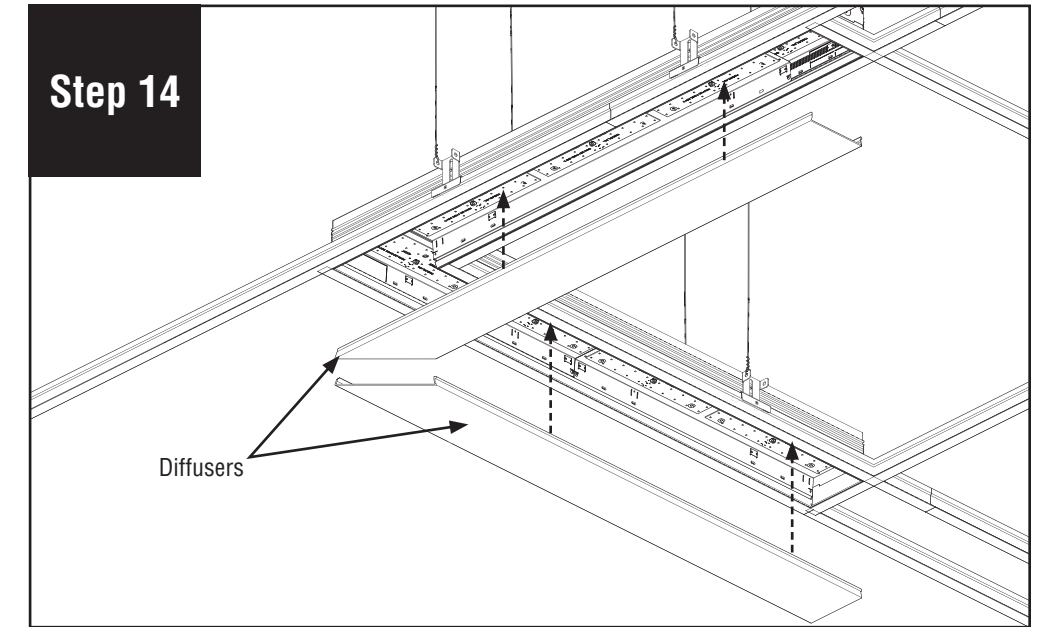
HP-6 Recessed 1" T-Bar Mitered Corner Installation Instructions



Step 12
Connect plug-together wiring. Replace backplate clips by holding them in their original position and pushing the clips back in. Make sure wire connections are not pinched. (If 1 ft. backplate assembly is near joint, reconnect feed harness to LED board).



Step 13
Secure starter and joiner/ender to T-Bar with #6-20 x 1/2" self drilling sheet metal screws (provided). Secure luminaire to structure using tie-wire (by others), as per code.



Step 14
Replace diffusers and turn power on to luminaire. **NOTE:** If part of a longer run, diffuser will be reinstalled back into original luminaire section as lengths vary.

Note: All power connections to be installed to local/national codes by a Certified Electrician.