

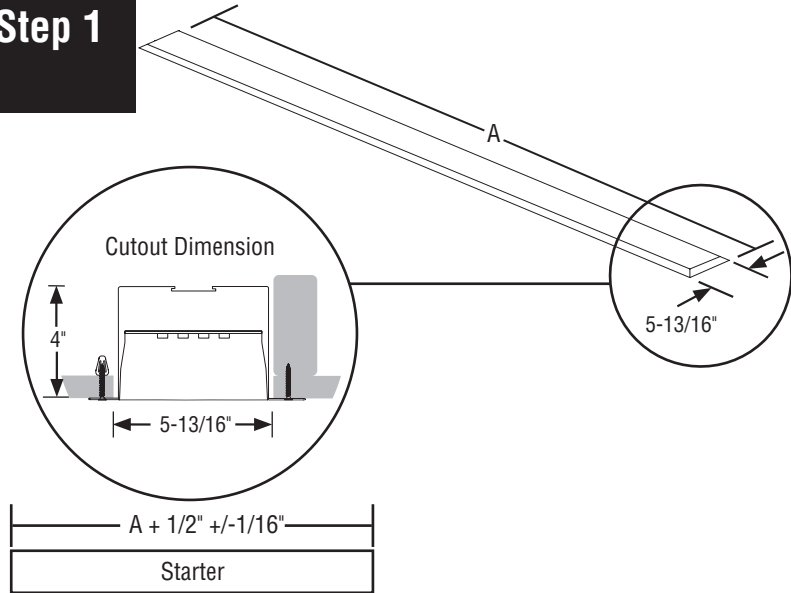
HP-6 Recessed Flush Diffuser Visible Flange Starter/Independent Installation Instructions

Scan QR code for helpful video(s)



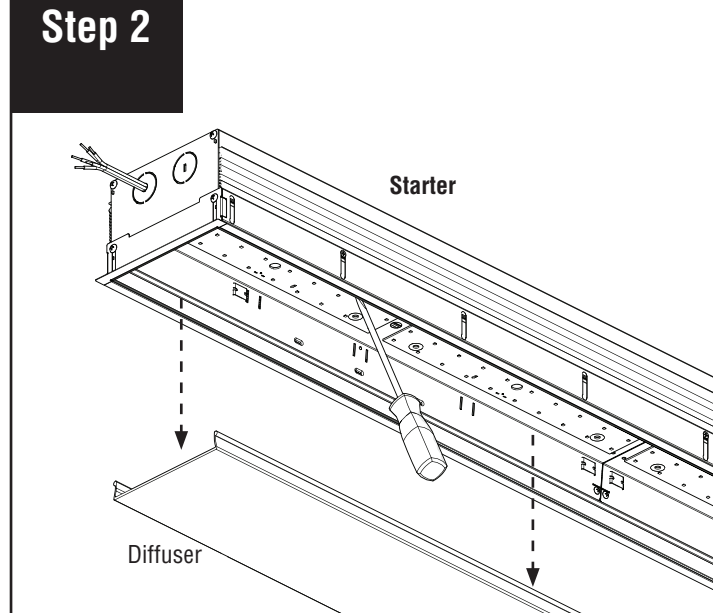
0 - 10V Dimming

Step 1



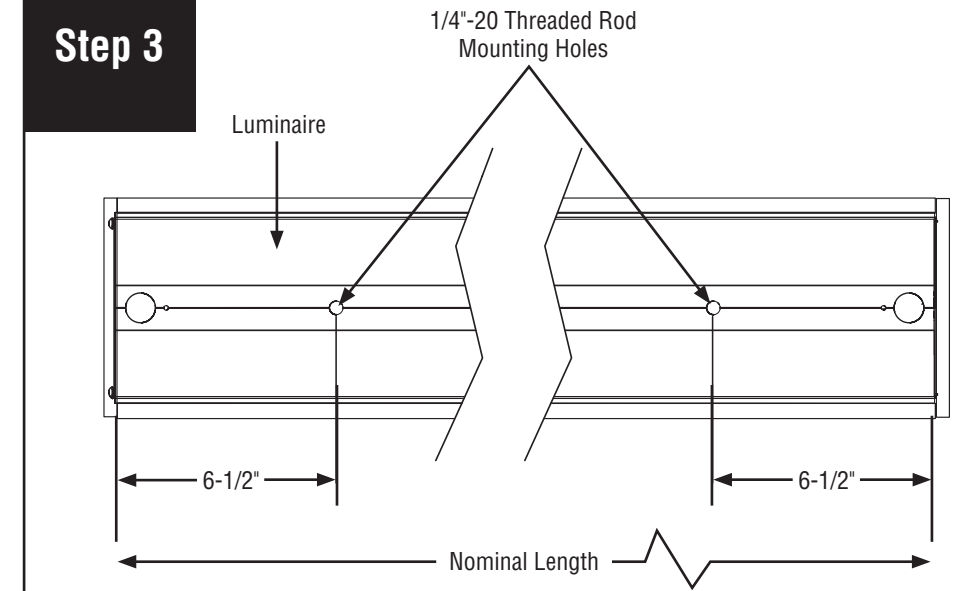
Add 1/2" to body/row length (A), +/- 1/16" to simplify installation. Luminaire needs to be installed next to support blocking.

Step 2



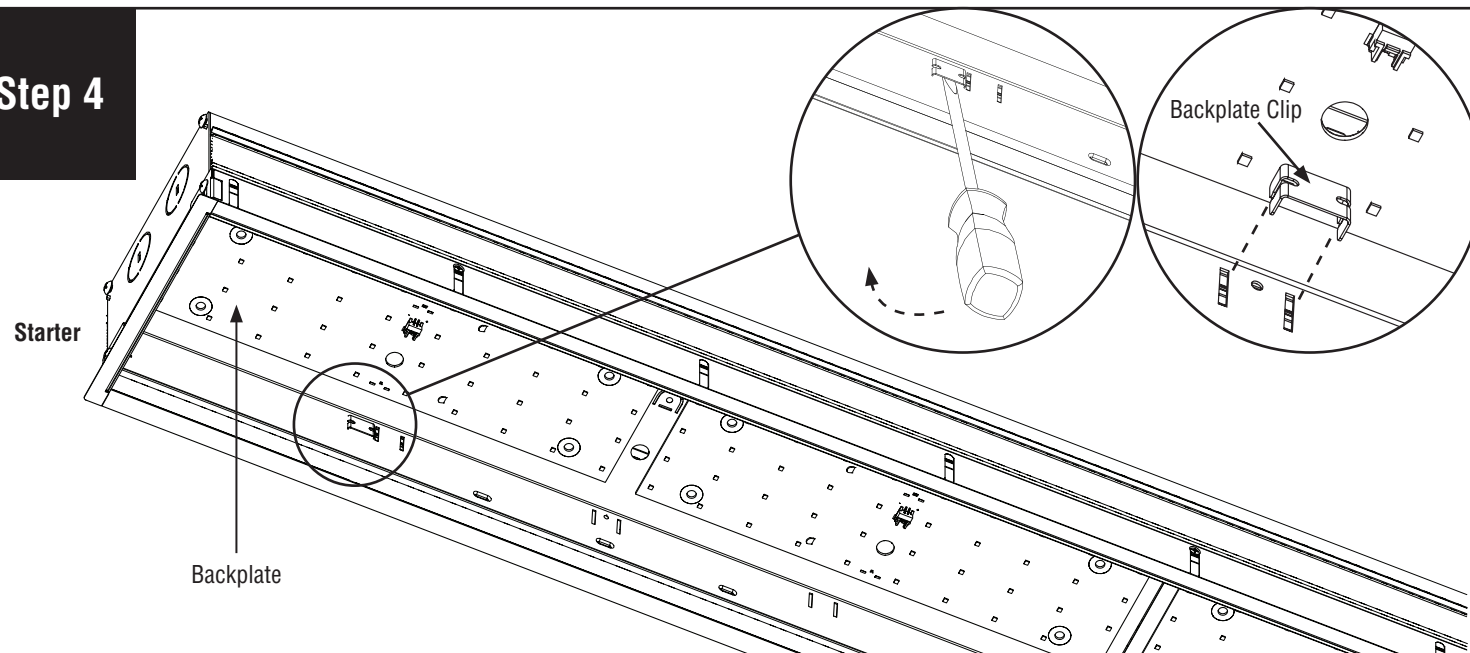
Remove diffuser and set aside to prevent it from getting dirty or damaged. **NOTE:** Diffuser will be reinstalled back into original luminaire section as lengths vary.

Step 3



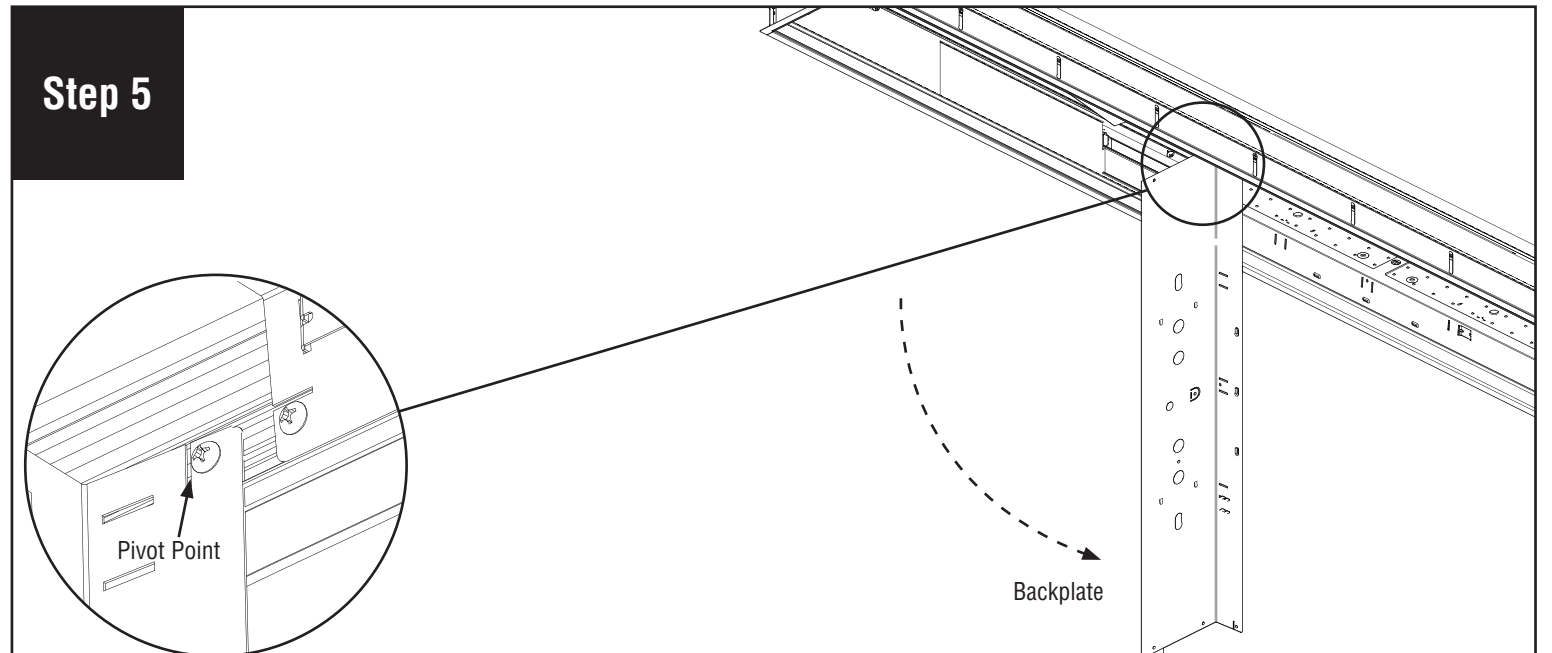
Refer to threaded rod and feed hole locations above before connecting luminaire wires.

Step 4



Remove backplate clips to release backplates. We recommend using a flat head screwdriver to get them loose. **CAUTION: Do not lose these pieces.**

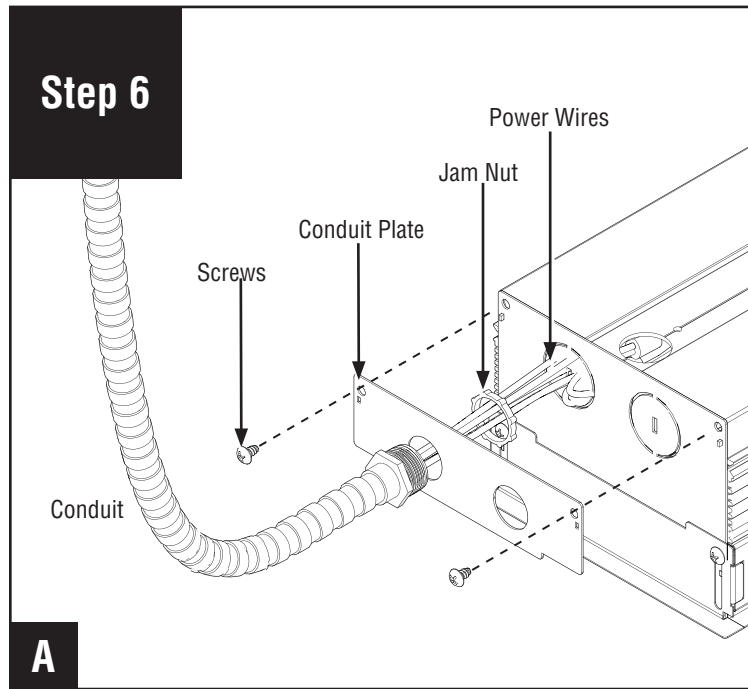
Step 5



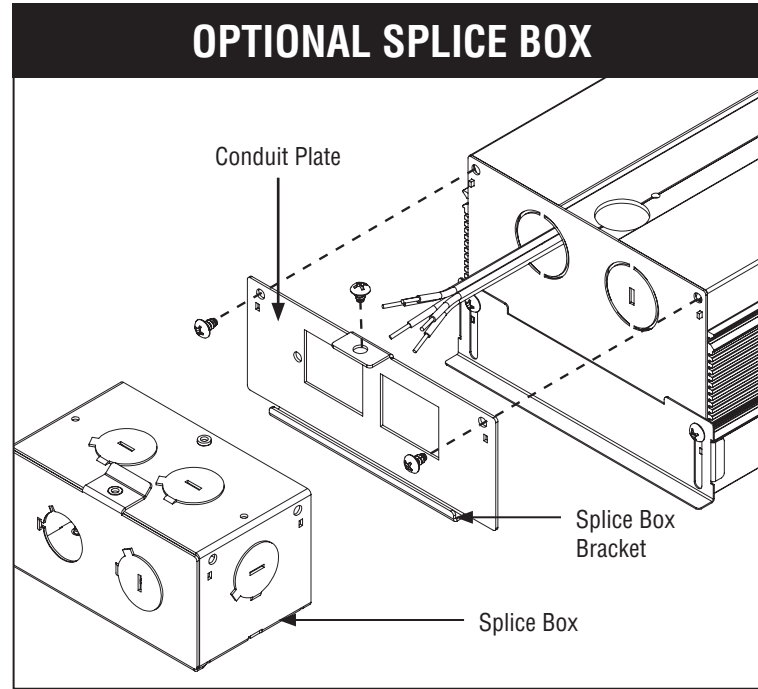
Align luminaire within rough opening in drywall and 1/4"-20 threaded rod. Slowly swing down backplate. **CAUTION: Do not twist the backplate when swinging down – it will come out of the support extrusion.** Note that the screws shown are the pivot point, and the backplate can be slid a few inches either way for ease of access to the driver space.

Note: All power connections to be installed to local/national codes by a Certified Electrician.

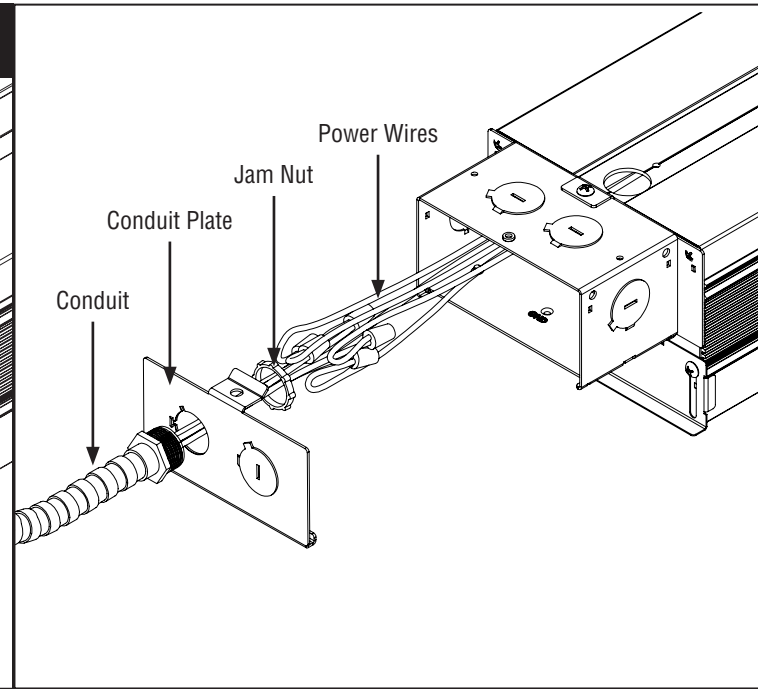
HP-6 Recessed Flush Diffuser Visible Flange Starter/Independent Installation Instructions



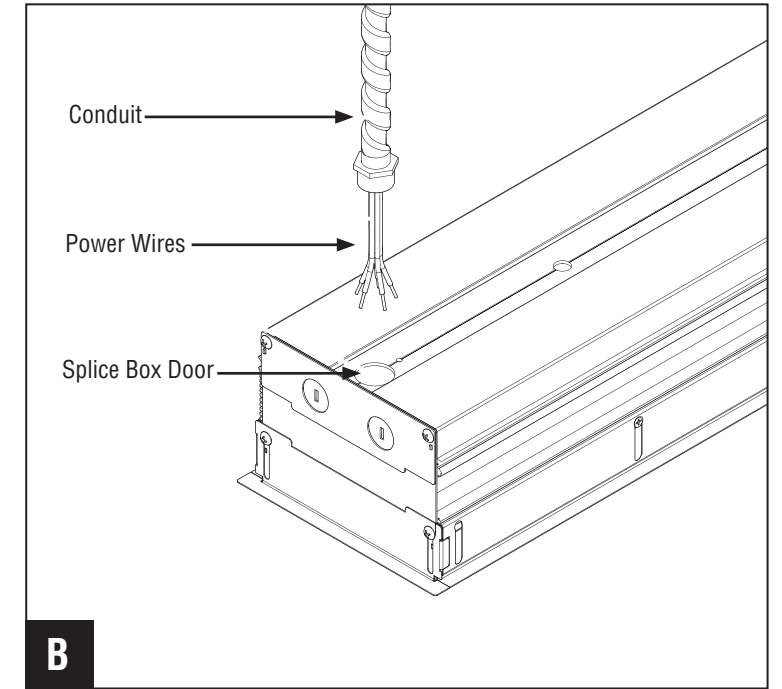
A. Standard installation. Remove jam nut from conduit then insert wires and connector through feed hole. Secure conduit with jam nut. **NOTE:** Purple and gray wires are for Low Voltage Control.



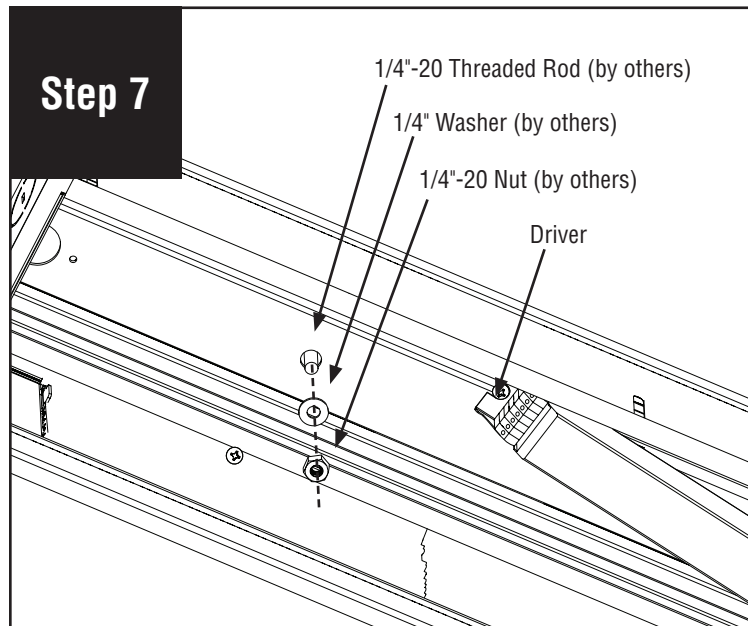
Attach optional splice box to conduit plate by hooking onto splice box bracket. Insert wires through feed hole.



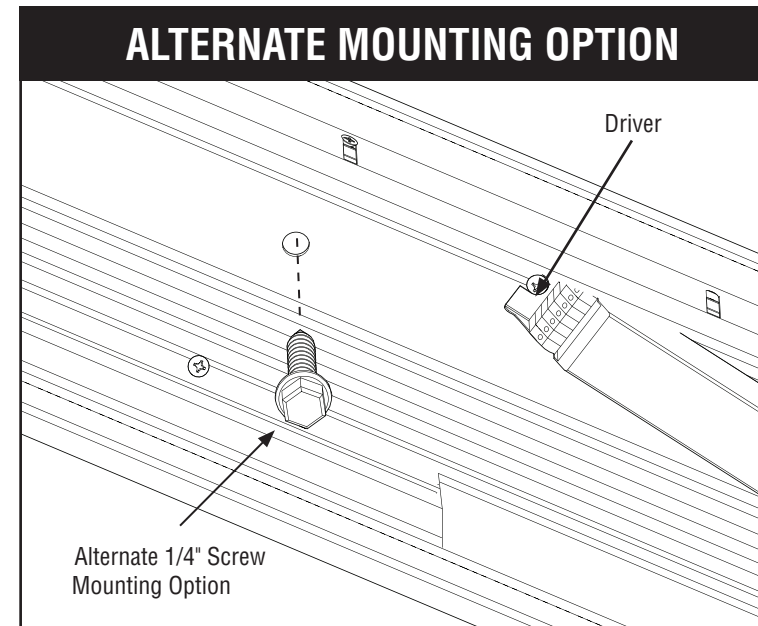
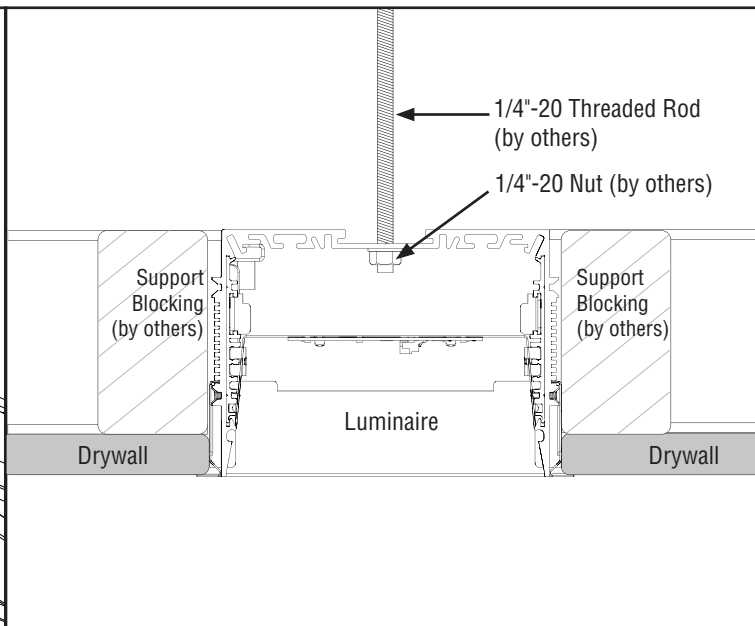
Run power cable through knock-out. Make electrical connection. Secure conduit on to splice box with jam nut and close conduit plate.



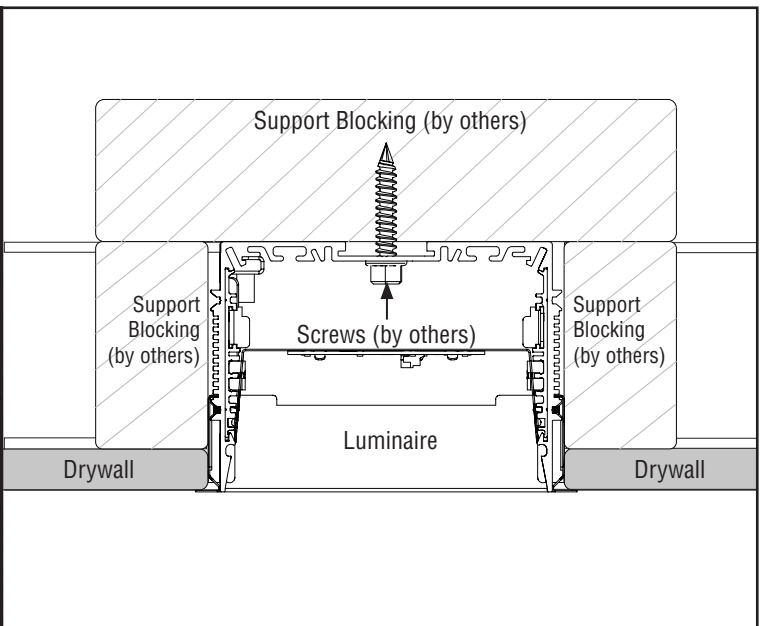
B. Alternate option from top.



Install 1/4" washers (by others) and 1/4"-20 nuts (by others) onto 1/4"-20 threaded rod (by others). **NOTE:** If adding a joiner/ender, allow the luminaire to hang below the ceiling while still having it supported by the threaded rod, washer and nuts.

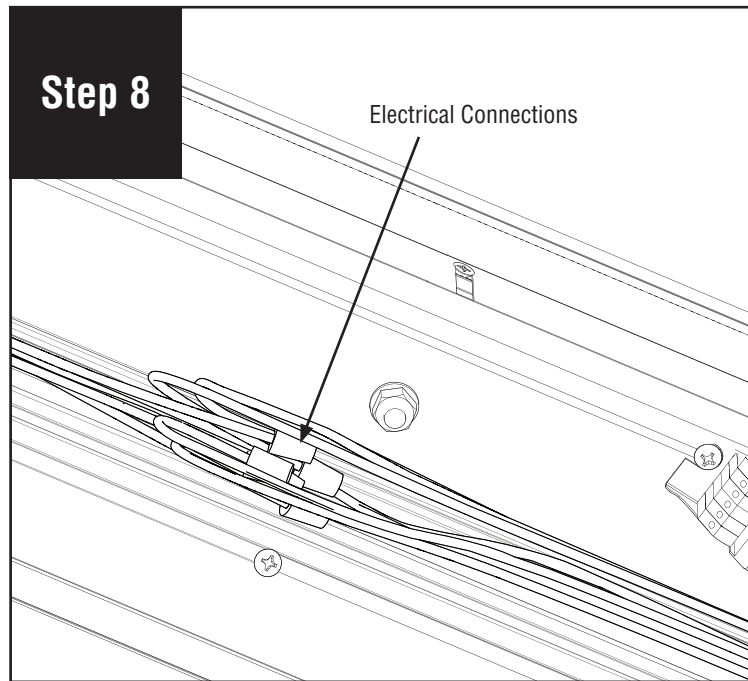


ALTERNATE MOUNTING OPTION – Install 1/4" screw (by others) through mounting hole into proper structurally supported blocking (by others).

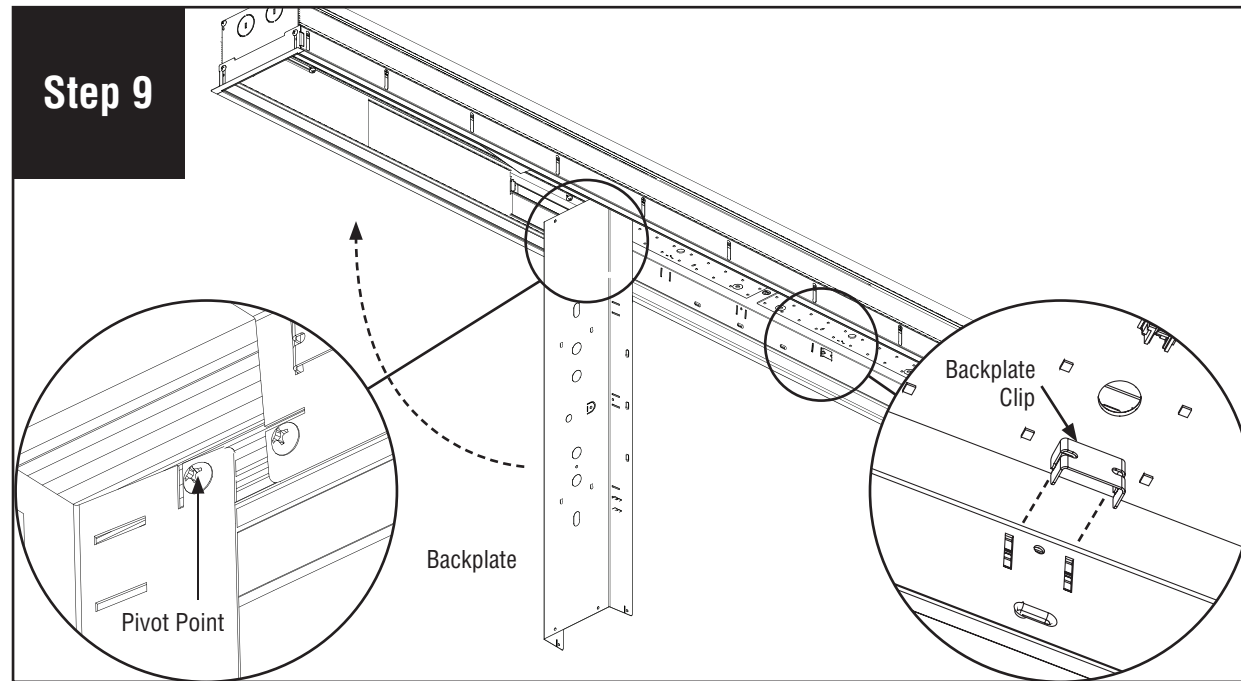


Note: All power connections to be installed to local/national codes by a Certified Electrician.

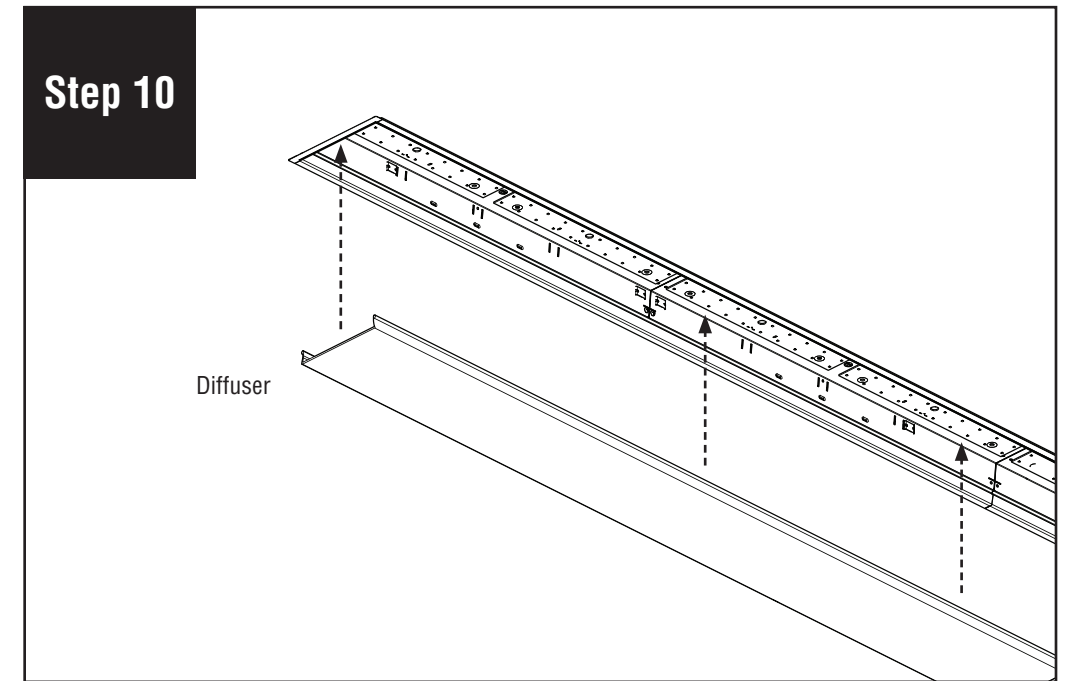
HP-6 Recessed Flush Diffuser Visible Flange Starter/Independent Installation Instructions



Make electrical connections.



Replace backplates by holding them in their original position and pushing the clips back in. Make sure wire connections are not pinched. (If 1 ft. backplate assembly is near joint, reconnect feed harness to LED board.)



Reinstall diffuser and turn power on to luminaire. **NOTE:** Diffuser will be reinstalled back into original luminaire section as lengths vary.

Note: All power connections to be installed to local/national codes by a Certified Electrician.

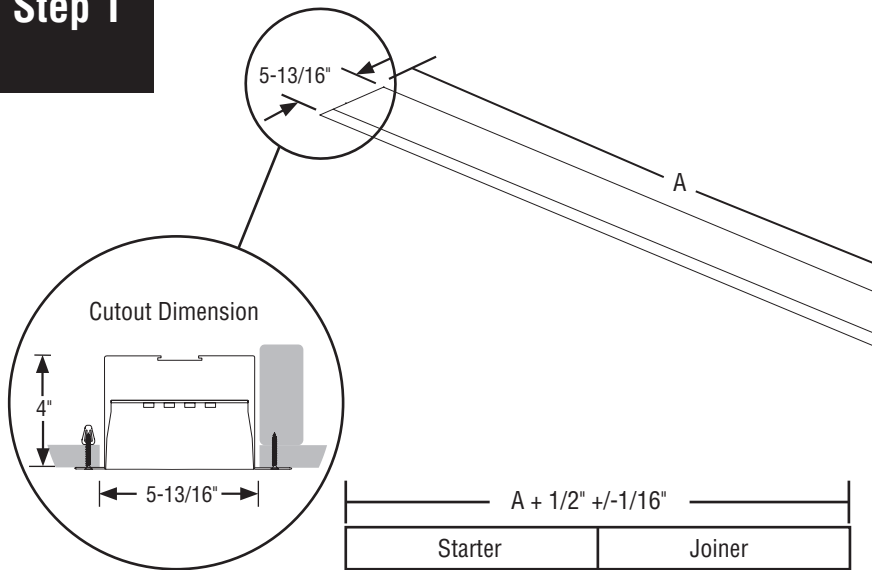
HP-6 Recessed Flush Diffuser Visible Flange Joiner/Ender Installation Instructions

Scan QR code for helpful video(s)



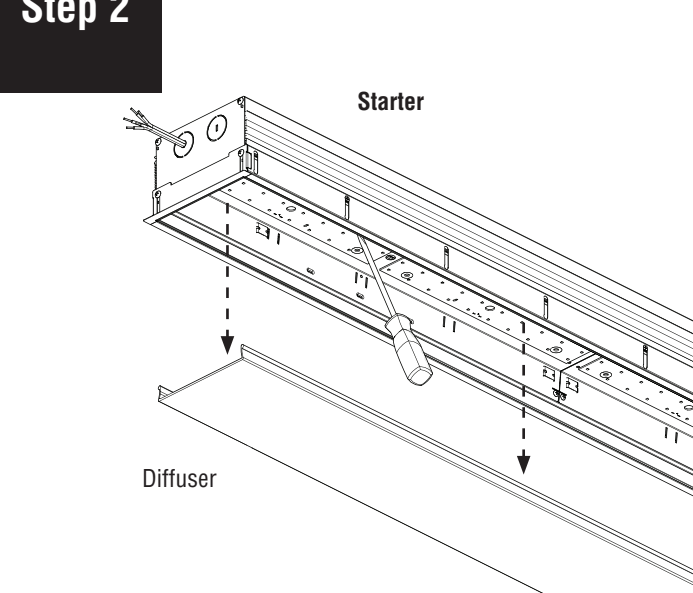
0 - 10V Dimming

Step 1



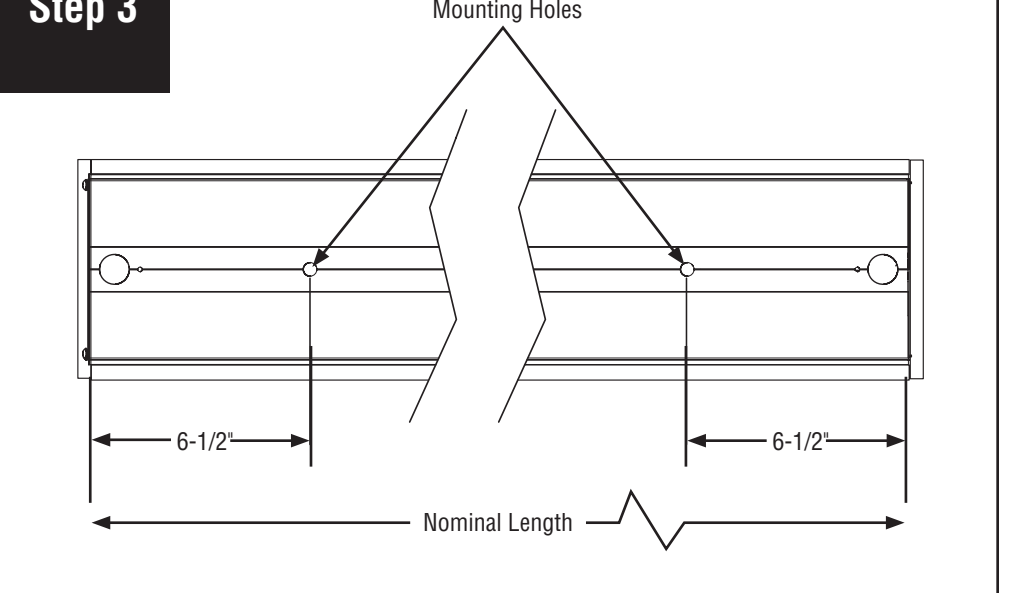
Add 1/2" to body/row length (A), +/- 1/16" to simplify installation. Luminaire needs to be installed next to support blocking.

Step 2



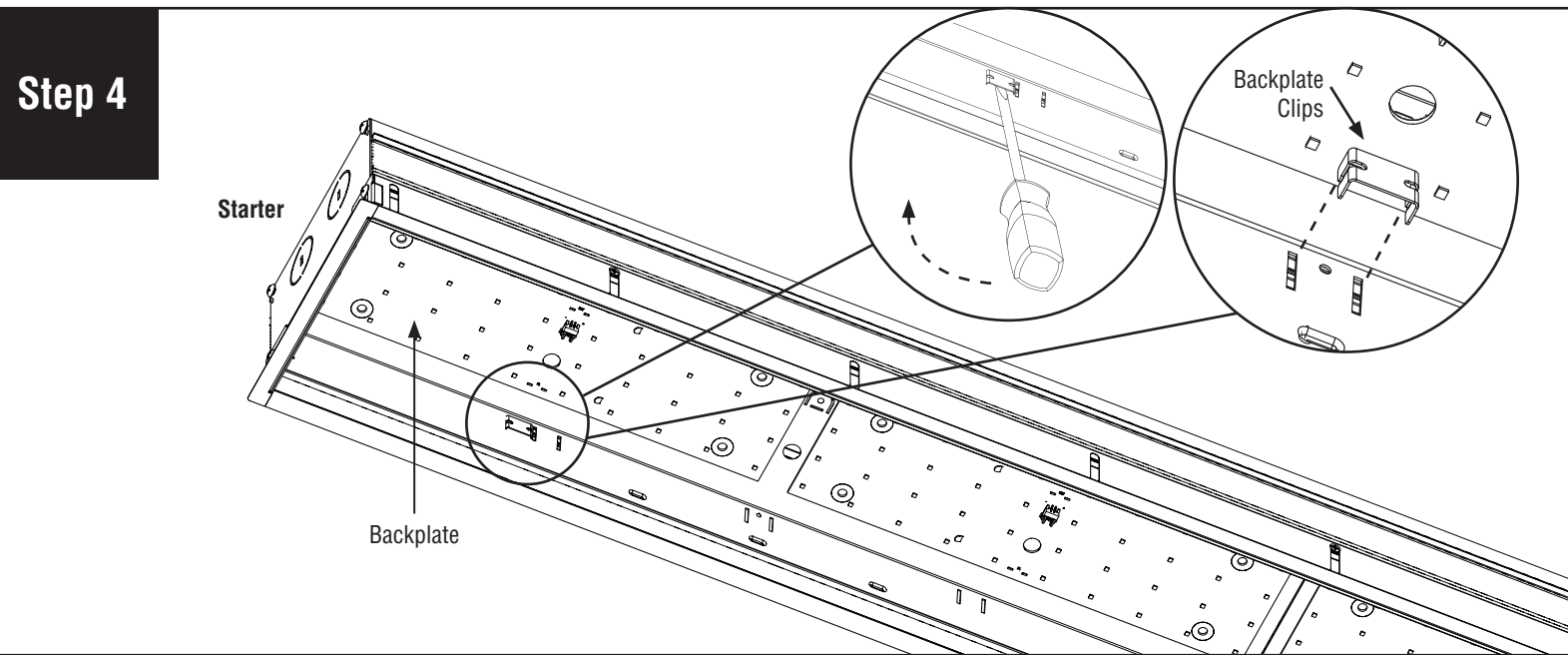
Remove diffuser and set aside to prevent from getting dirty or damaged. **NOTE:** If part of a longer run, diffuser will be reinstalled back into original section as lengths vary.

Step 3



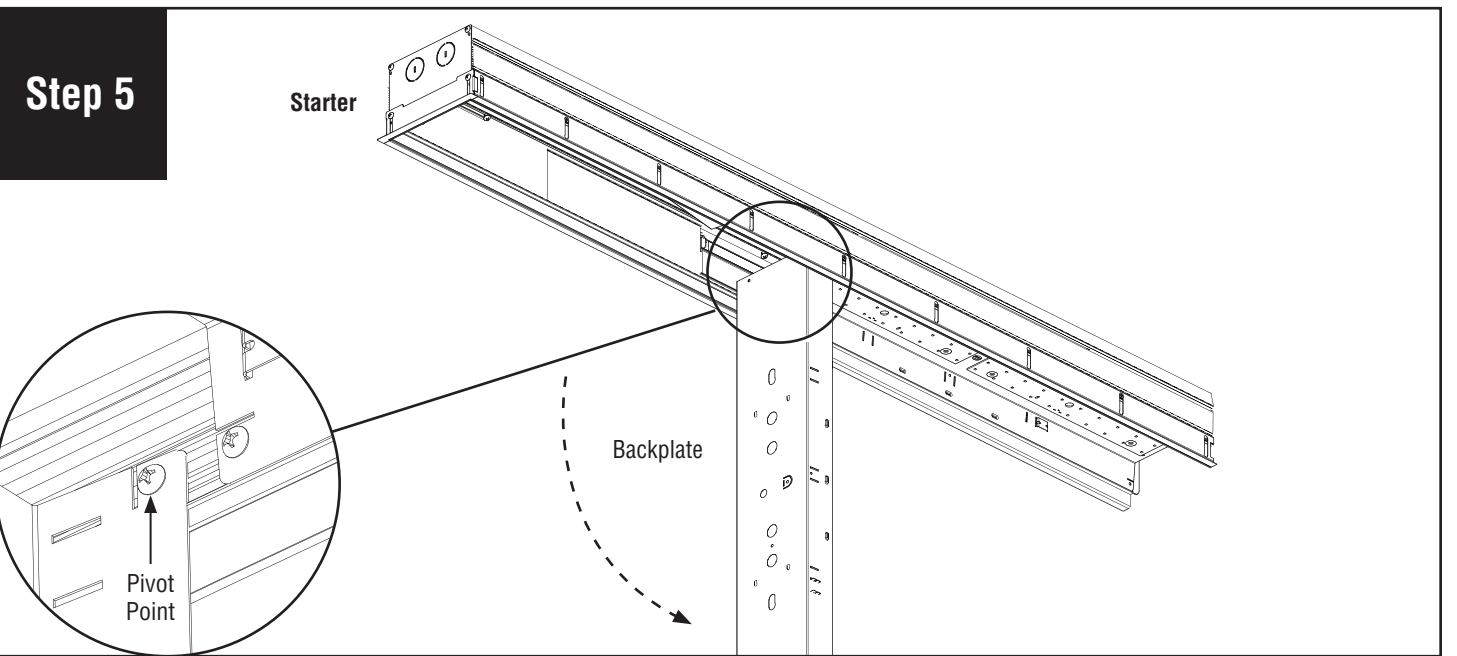
Refer to threaded rod and feed hole locations above before connecting luminaire wires.

Step 4



Remove backplate clips to release backplates. We recommend using a flat head screwdriver to get them loose. **CAUTION: Do not lose these pieces.**

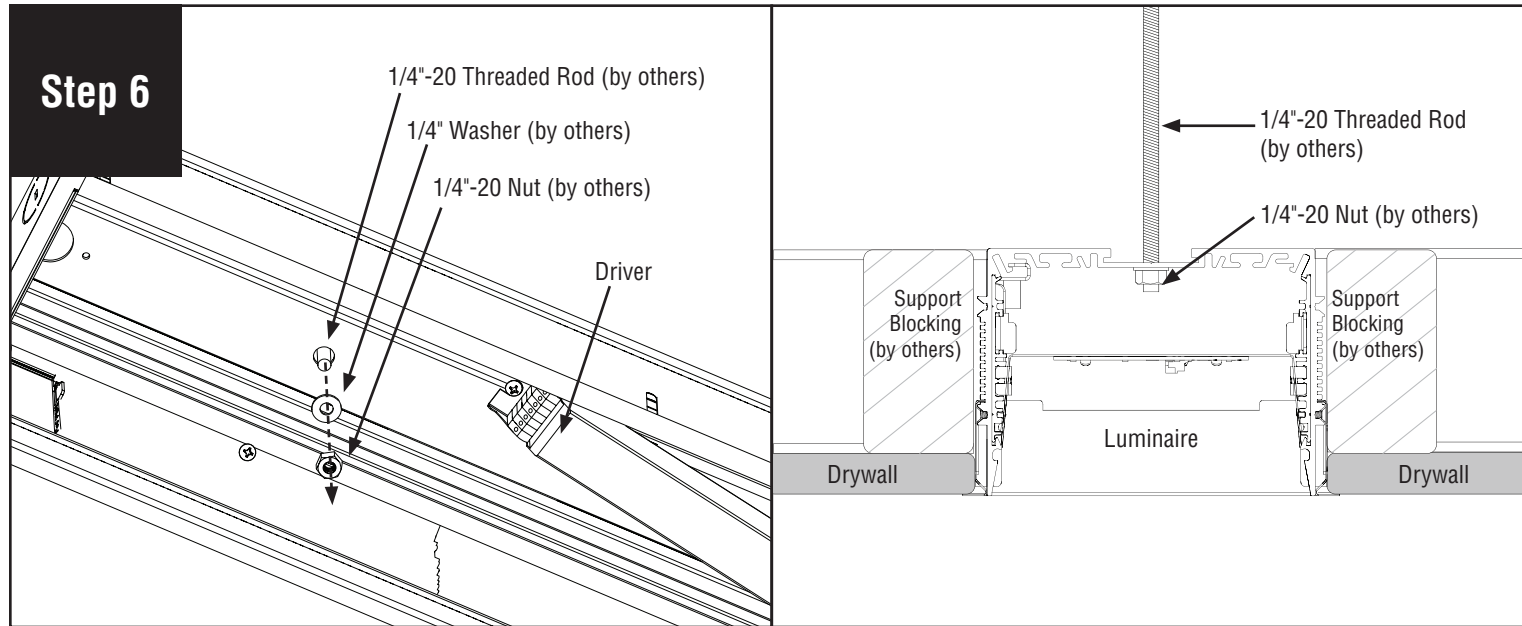
Step 5



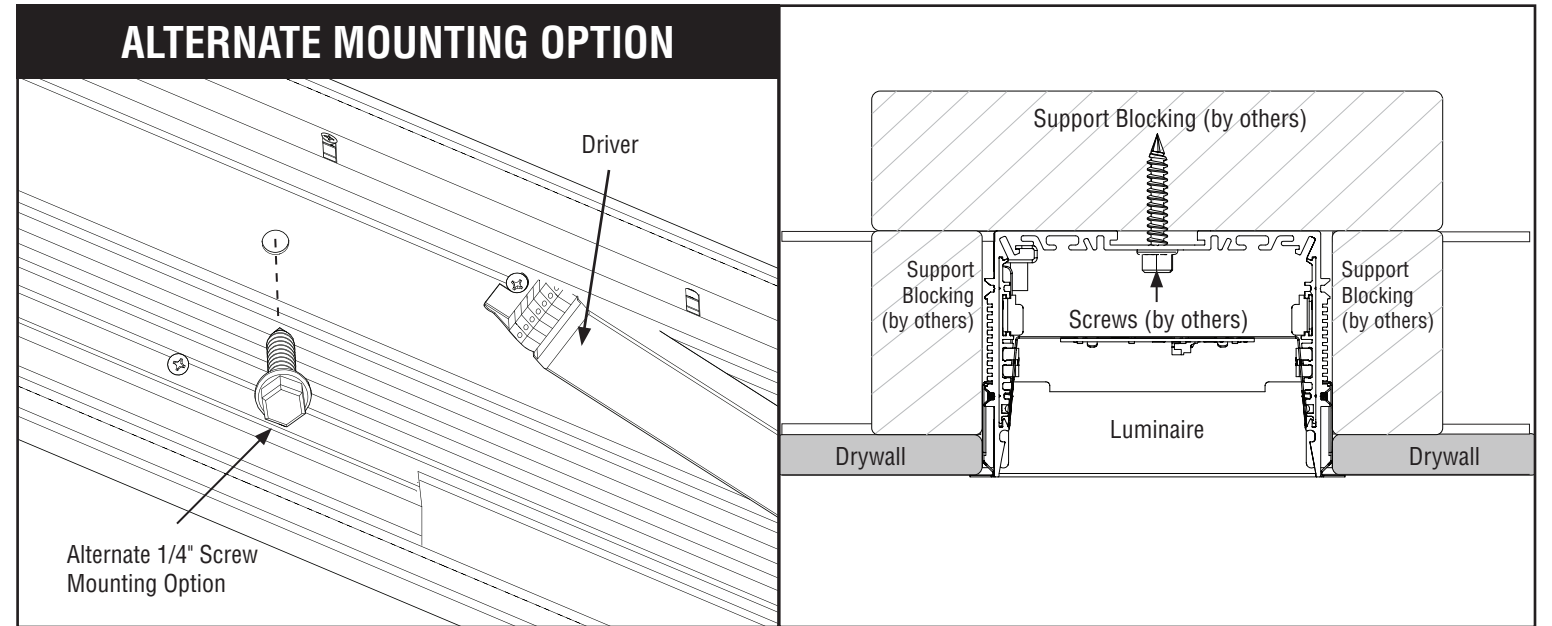
Align luminaire within rough opening in drywall and 1/4"-20 threaded rod. Slowly swing down backplate. **CAUTION: Do not twist the backplate when swinging down – it will come out of the support extrusion.** Note that the screws shown are the pivot point, and the backplate can be slid a few inches either way for ease of access to the driver space.

Note: All power connections to be installed to local/national codes by a Certified Electrician.

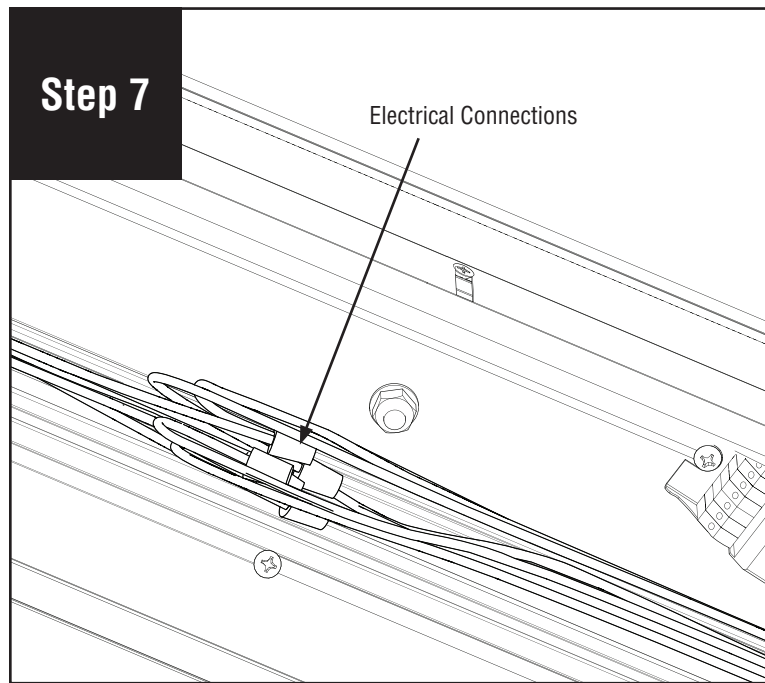
HP-6 Recessed Flush Diffuser Visible Flange Joiner/Ender Installation Instructions



Install 1/4" washers (by others) and 1/4"-20 nuts (by others) onto 1/4"-20 threaded rod (by others).

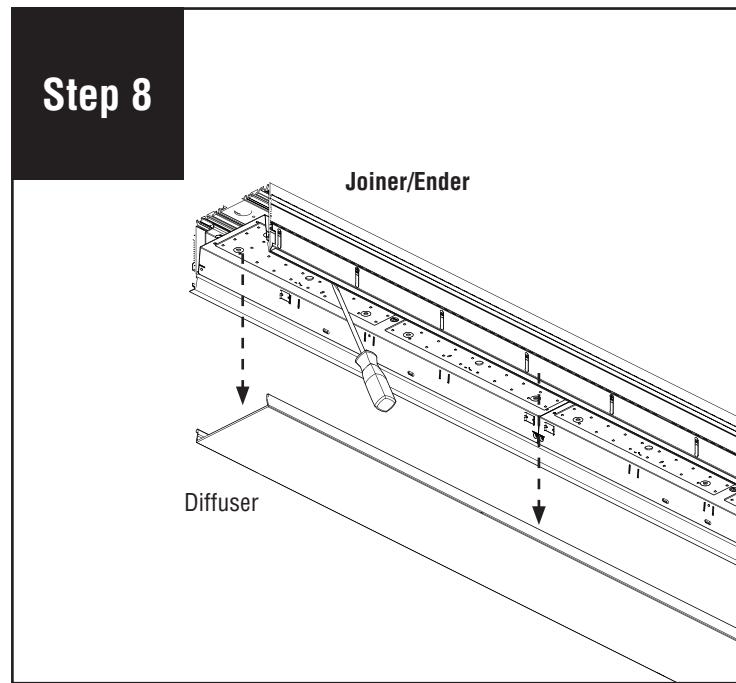


ALTERNATE MOUNTING OPTION – Install 1/4" screw (by others) through mounting hole into proper structurally supported blocking (by others).

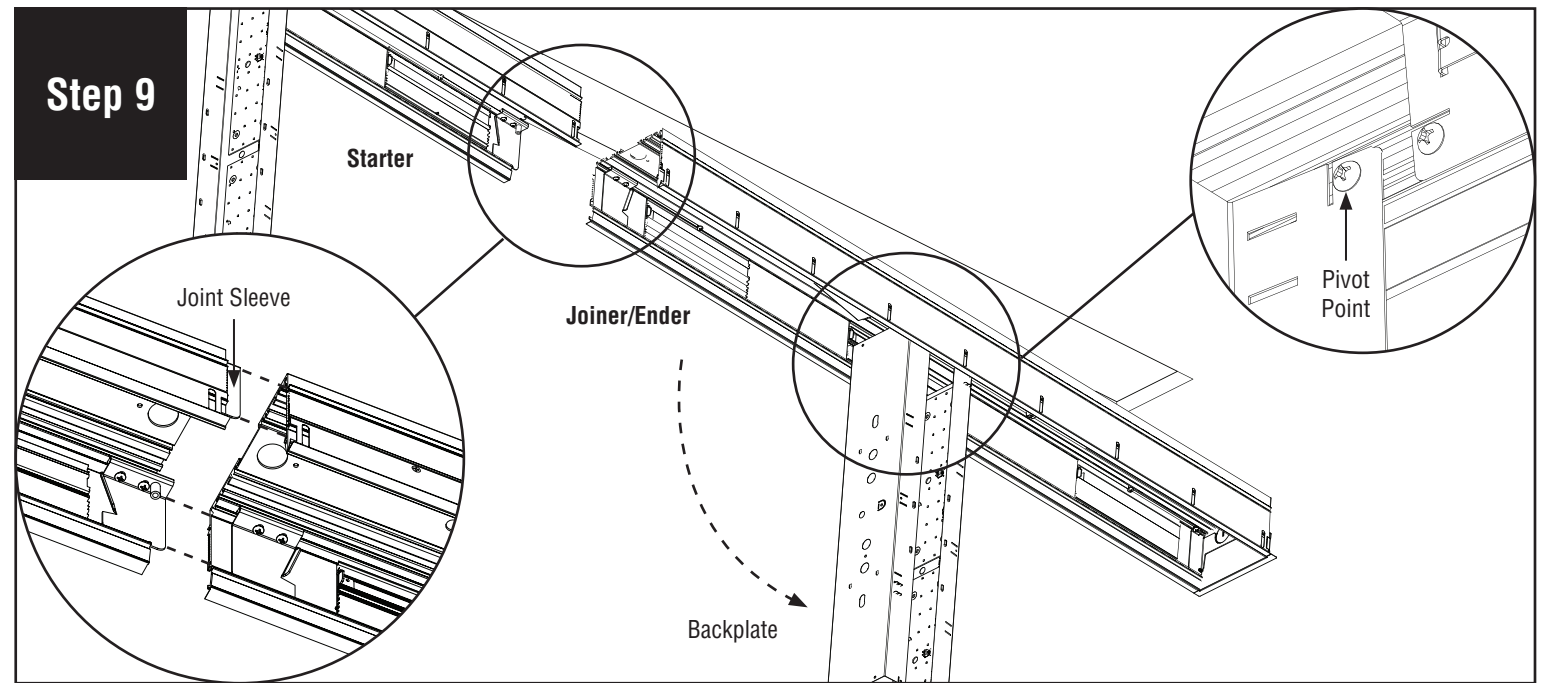


Make electrical connections.

Note: All power connections to be installed to local/national codes by a Certified Electrician.

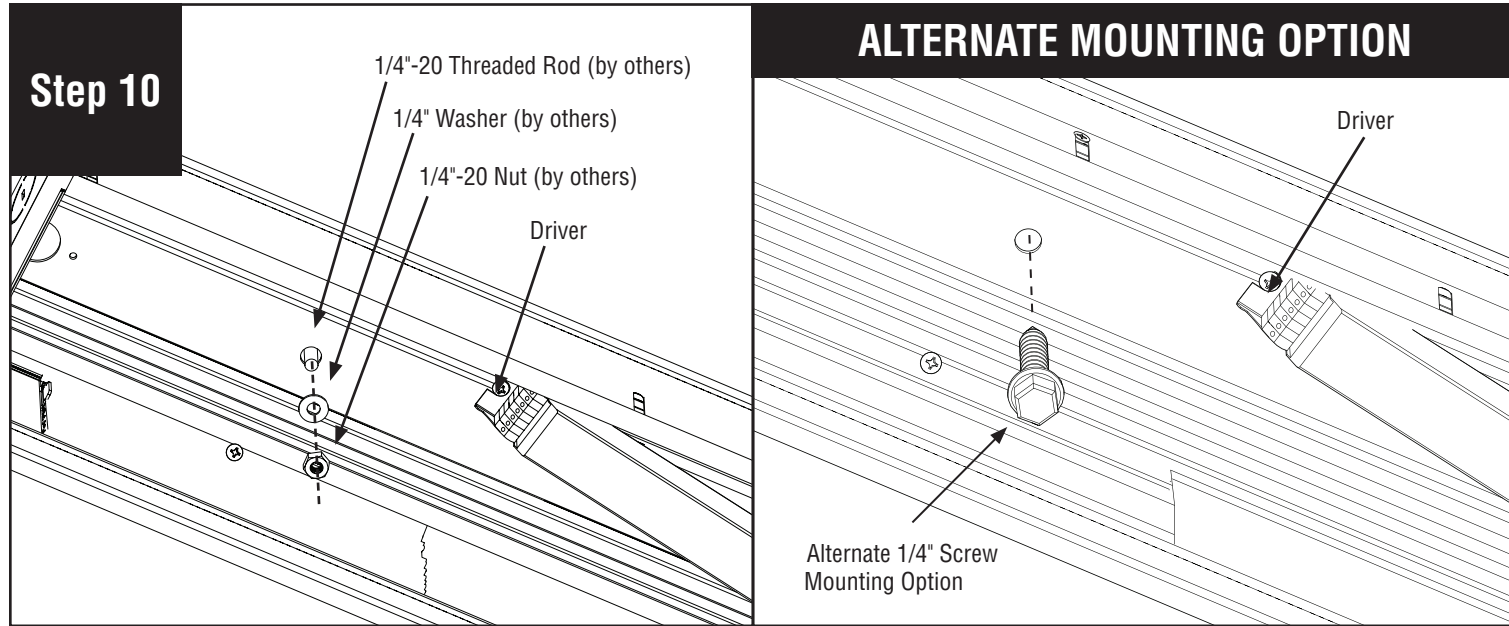


Remove diffuser from joiner/ender and set aside to prevent from getting dirty or damaged.

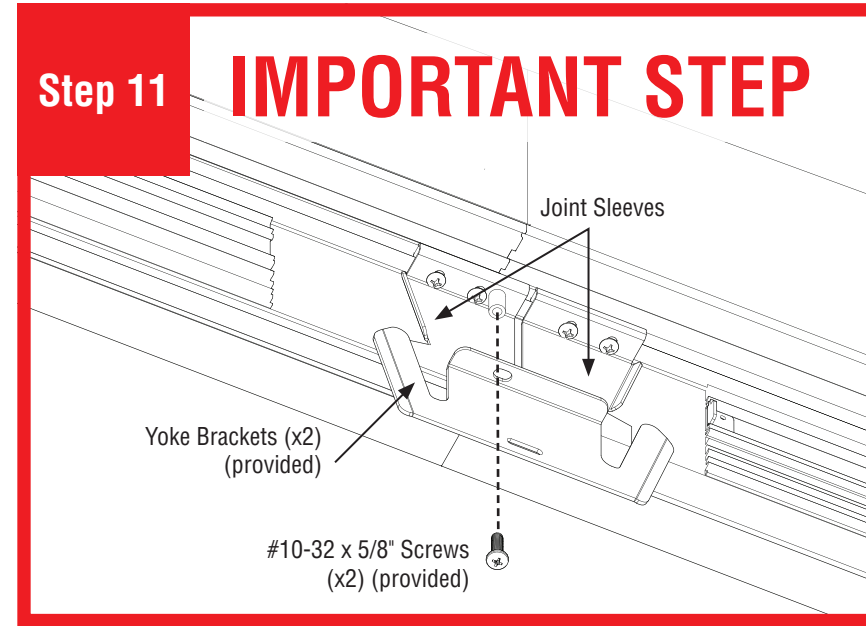


Slide the joiner/ender against the starter, then install into rough cut out. Align the starter and the joiner/ender together by using the joint sleeves to connect the luminaires. Remove backplate clips to release and slowly swing down backplates from joiner/ender. **NOTE:** When adding the joiner/ender, allow the luminaire to hang below the ceiling while still having it supported by the threaded rod, washer and nuts.

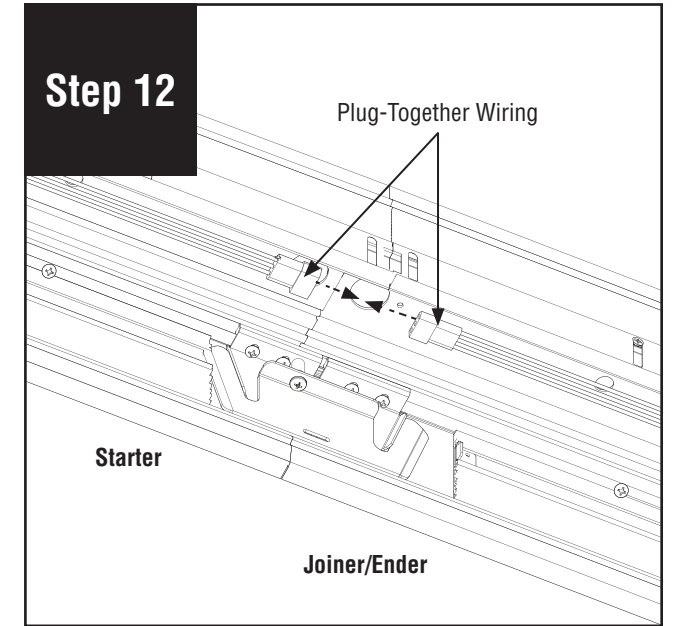
HP-6 Recessed Flush Diffuser Visible Flange Joiner/Ender Installation Instructions



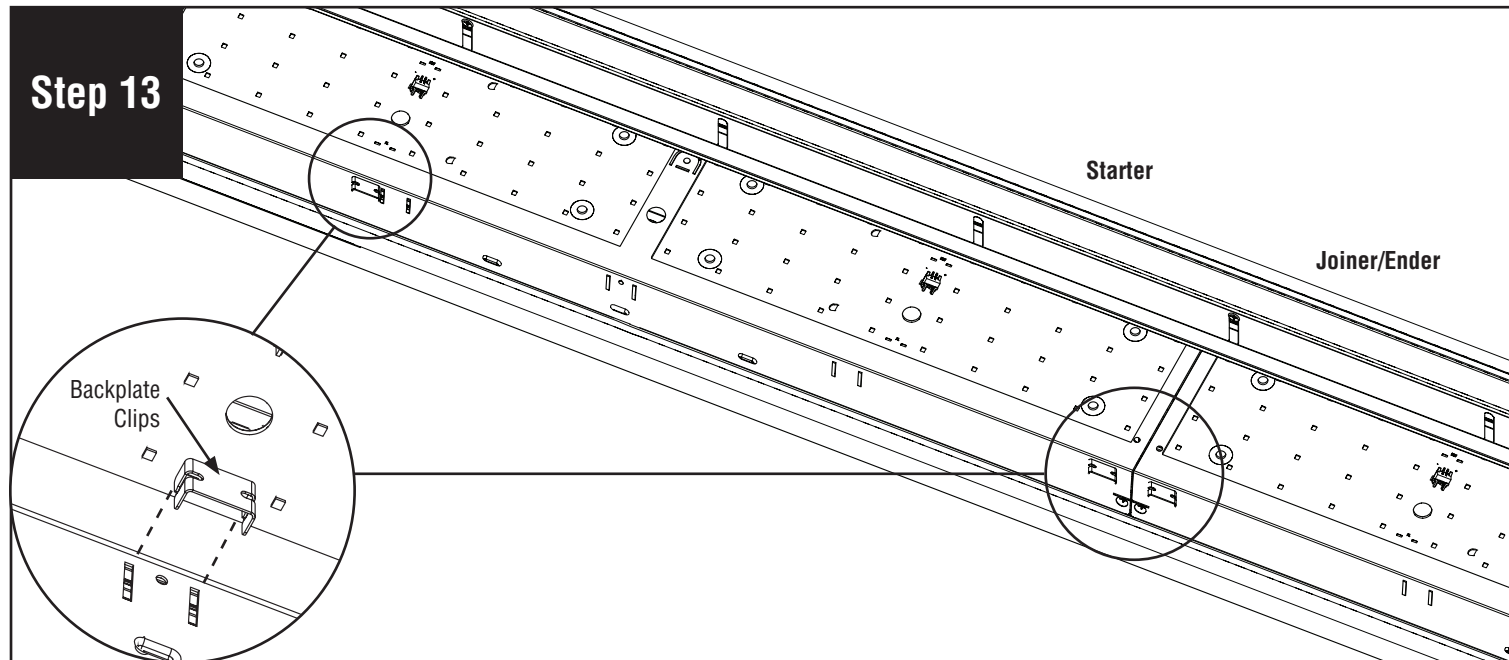
Install 1/4" washers (by others) and 1/4"-20 nuts (by others) onto 1/4"-20 threaded rod (by others). **ALTERNATE MOUNTING OPTION** – Install 1/4" screw (by others) through mounting hole into proper structurally supported blocking (by others).



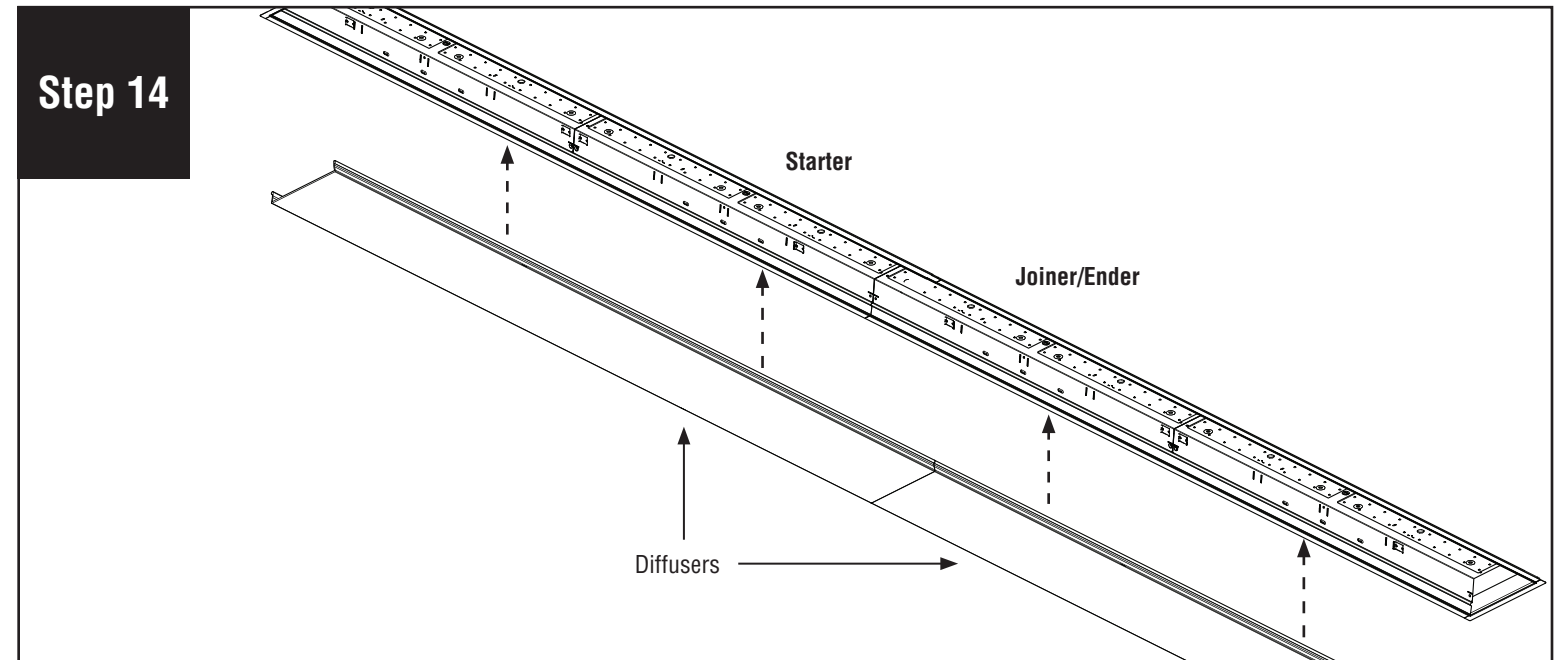
IMPORTANT STEP: Secure joint with two yoke brackets (provided) using #10-32 x 5/8" screws (provided). When installed correctly these brackets will pull luminaires together to make a tight joint. **CAUTION: Do not over-tighten.**



Connect plug-together wiring.



Replace all backplates by holding them in their original position and pushing the clips back in. Make sure wire connections are not pinched. (If 1 ft. backplate assembly is near joint, reconnect feed harness to LED board.)



Reinstall diffuser and turn power on to luminaire. **NOTE:** If part of a longer run, reinstall diffuser back into the original luminaire section as lengths may vary.

Note: All power connections to be installed to local/national codes by a Certified Electrician.

Protected by one or more US Patents: 8915613; D702,391; D702,390; D700,732; D727,554 S; D727,550 S; D727,551 S

© 2017 FINELITE, INC. ALL RIGHTS RESERVED. Form 98253 V2. 04/17