

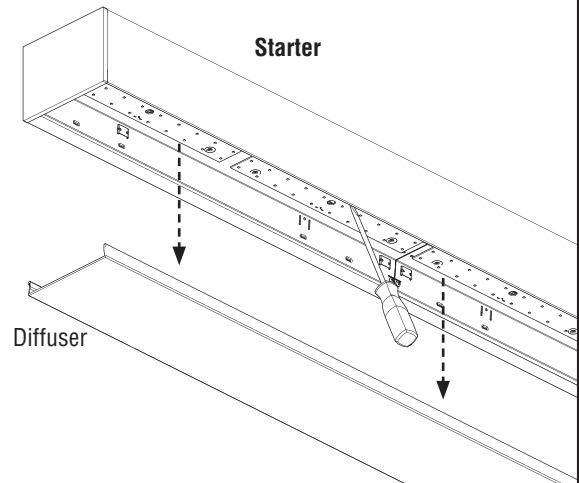
HP-6 Flush Diffuser Surface Mount 1" T-Bar Starter/Independent Installation Instructions

Scan QR code for helpful video(s)



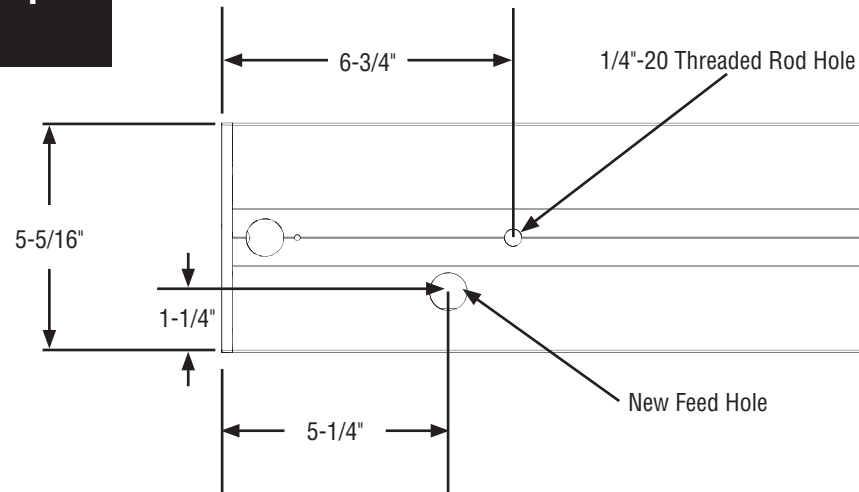
0 - 10V Dimming

Step 1



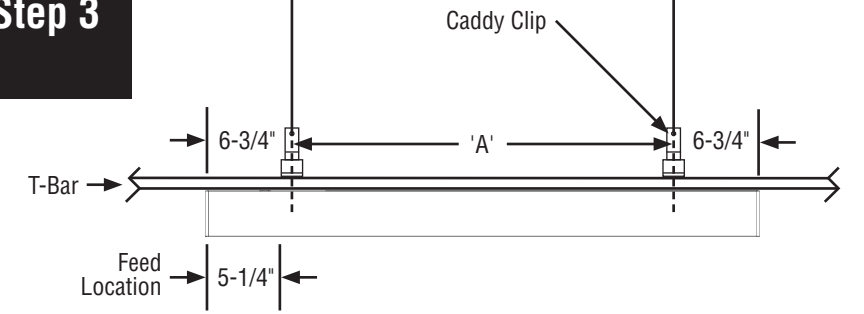
Remove diffuser and set aside to prevent it from getting dirty or damaged. **NOTE:** If part of a longer run, diffuser will be reinstalled back into original luminaire section as lengths vary.

Step 2



Note new feed hole on luminaire as indicated above.

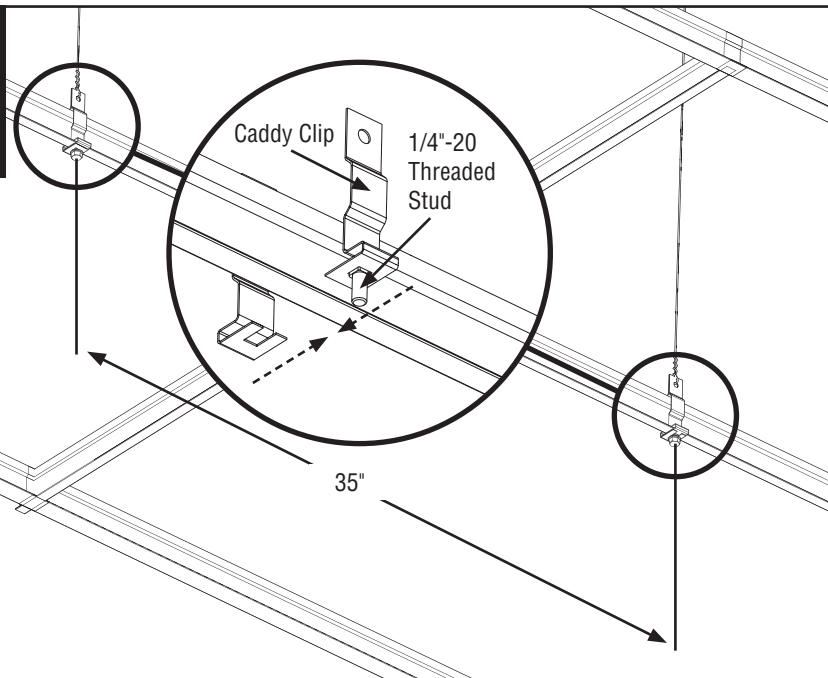
Step 3



MOUNTING HOLE LOCATION TABLE	
LUMINAIRE LENGTH	'A' (IN)
4'	35
8'	83
12'	131

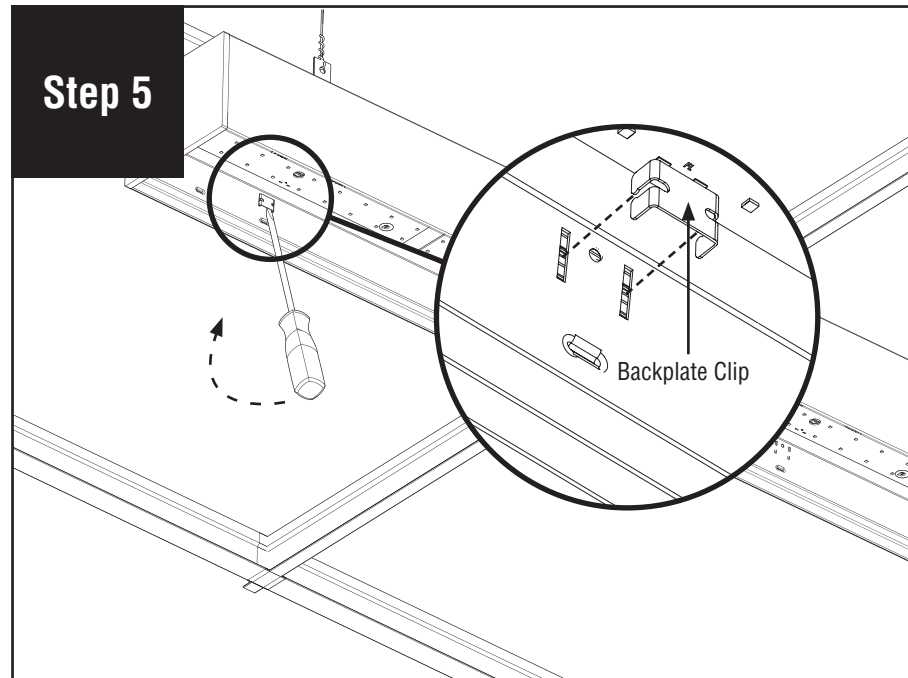
Use the chart above to determine correct caddy clip installation points. Secure to structure using tie-wire (by others), per building code.

Step 4



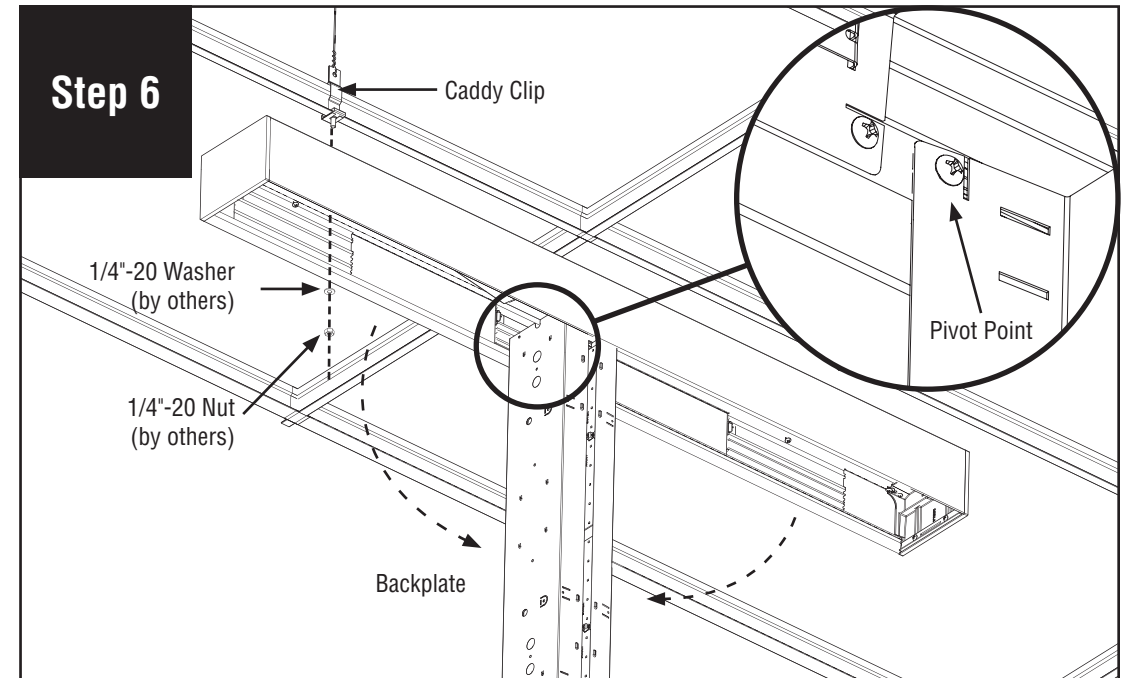
Install caddy clips (provided).

Step 5



Remove backplate clips to release the backplate. We recommend using a flat head screwdriver to get them loose. **CAUTION: Do not lose these pieces.**

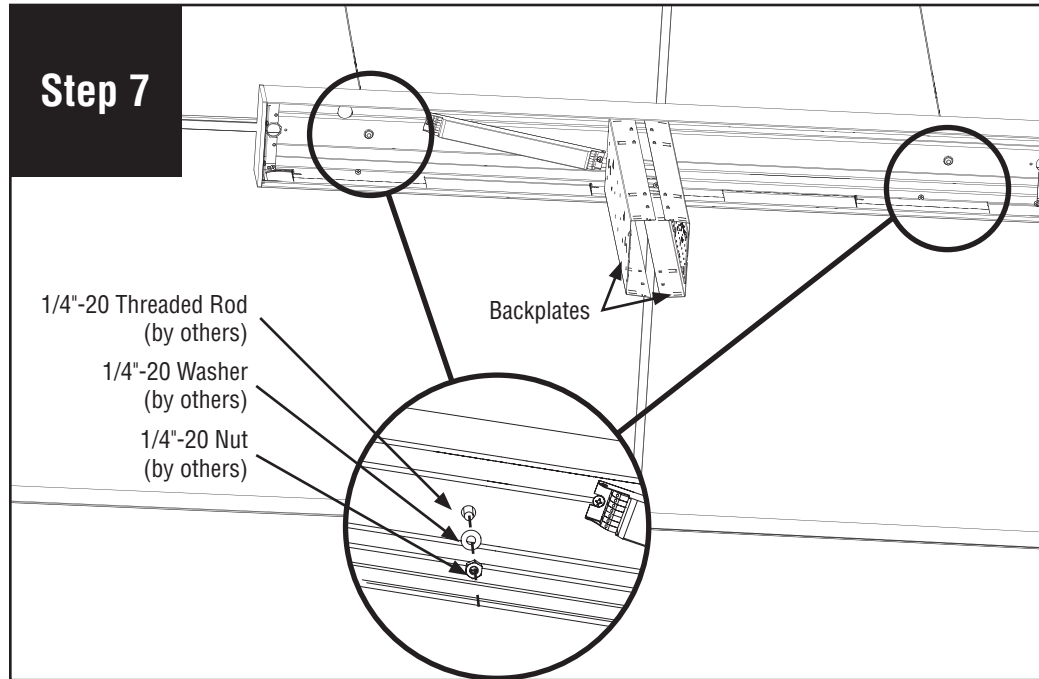
Step 6



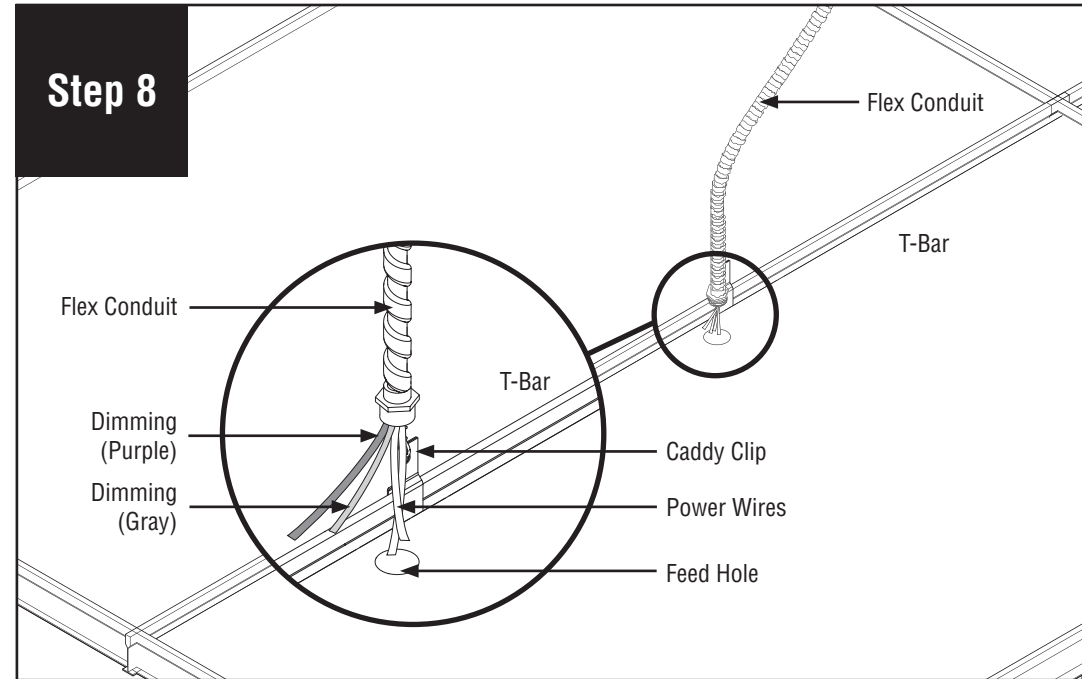
Slowly swing down backplates. **CAUTION: Do not twist the backplate when swinging down – it will come out of the support extrusion.** Note that the screws shown are the pivot point, and the backplate can be slid a few inches either way for ease of access to the driver space. Install luminaire on to ceiling

Note: All power connections to be installed to local/national codes by a Certified Electrician.

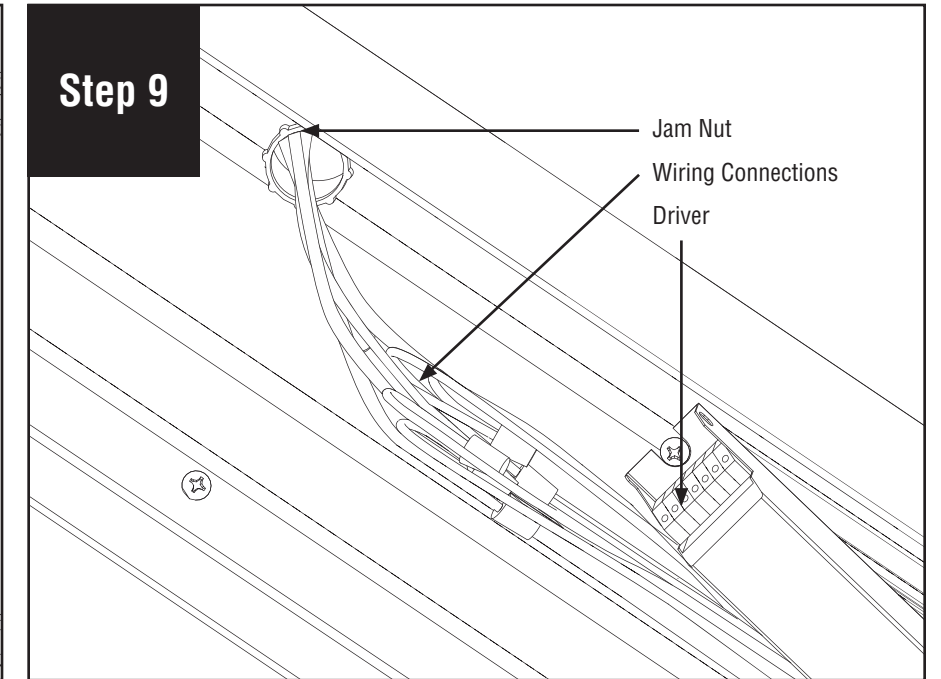
HP-6 Flush Diffuser Surface Mount 1" T-Bar Starter/Independent Installation Instructions



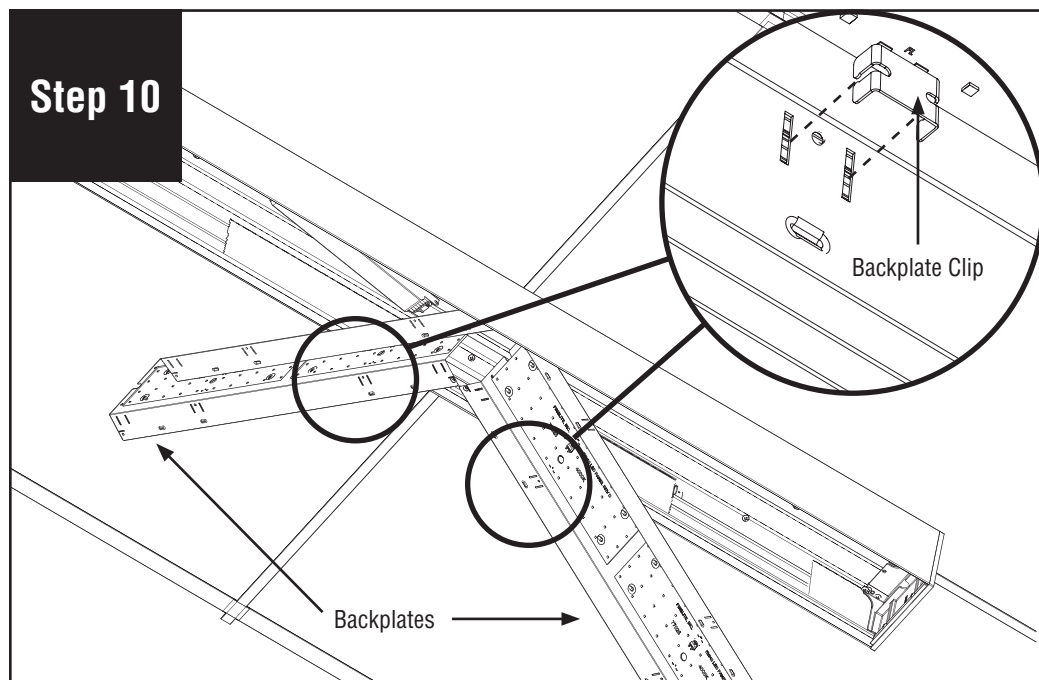
Install 1/4" washers (by others) and 1/4"-20 nuts (by others) onto 1/4"-20 threaded rod (by others).



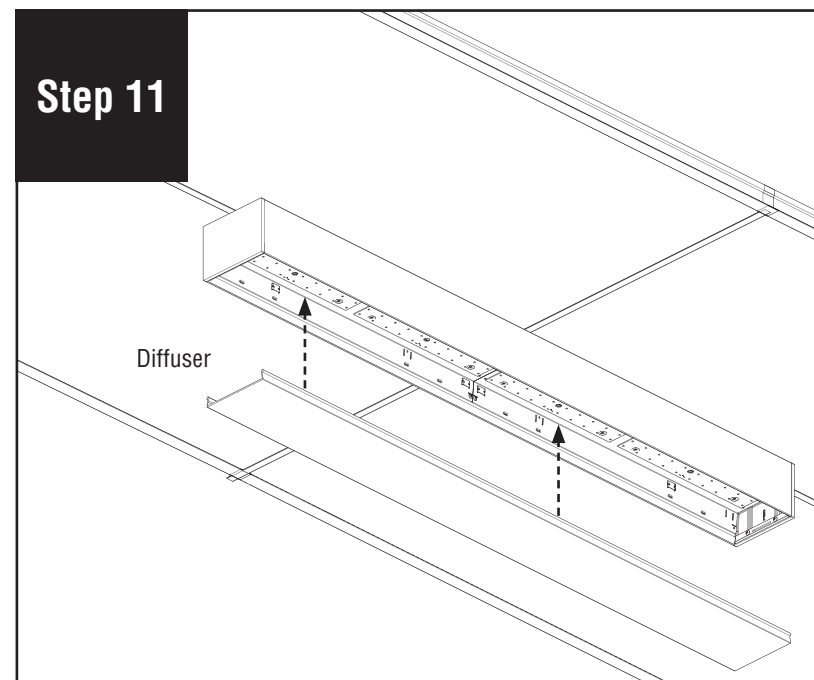
Cut hole in ceiling tile for conduit to pass through. Insert wires and conduit through ceiling tile and into luminaire feed hole. **NOTE:** Purple and gray wires are for Low Voltage Control.



Insert wires through jam nut and install jam nut onto conduit connector. Make wiring connections.



Replace backplates by holding them in their original position and pushing the clips back in. Make sure wire connections are not pinched. (If a 1ft. backplate assembly is near joint, reconnect feed harness to LED board.)



Reinstall diffuser and turn power on to luminaire. **NOTE:** If part of a longer run, reinstall diffuser back into the original luminaire section as lengths vary.

Note: All power connections to be installed to local/national codes by a Certified Electrician.

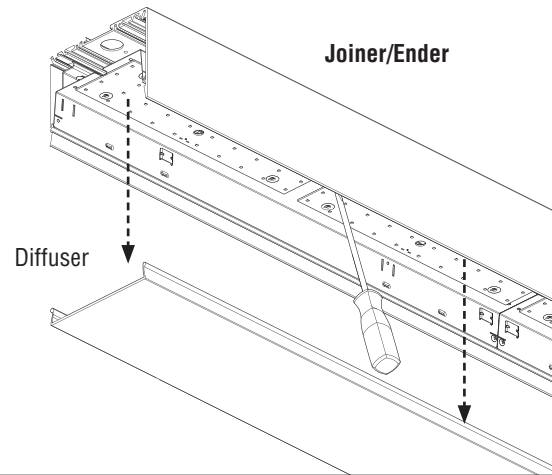
HP-6 Flush Diffuser Surface Mount 1" T-Bar Joiner/Ender Installation Instructions

Scan QR code for helpful video(s)



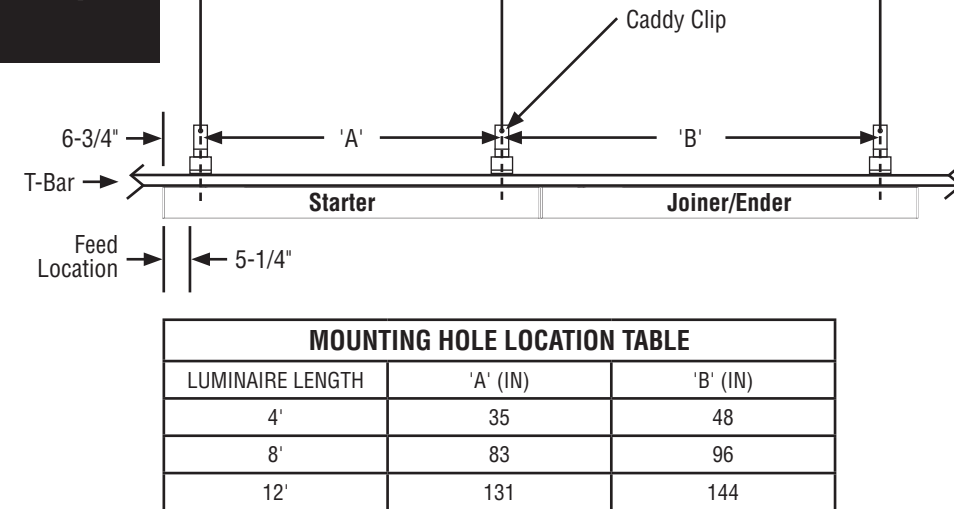
0 - 10V Dimming

Step 1



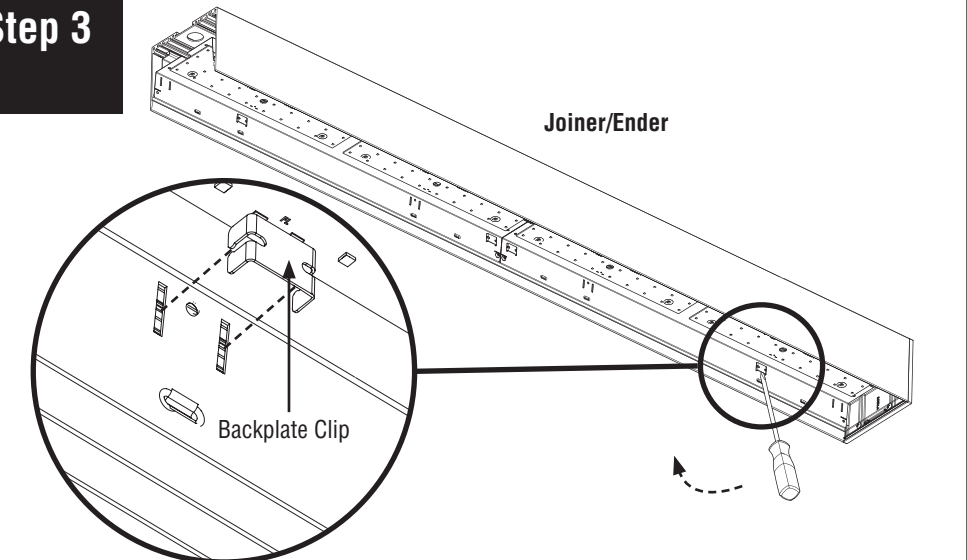
Remove diffusers from joiner/ender and set aside to prevent it from getting dirty or damaged. **NOTE:** If part of a longer run, diffuser will be reinstalled back into original luminaire section as lengths vary.

Step 2



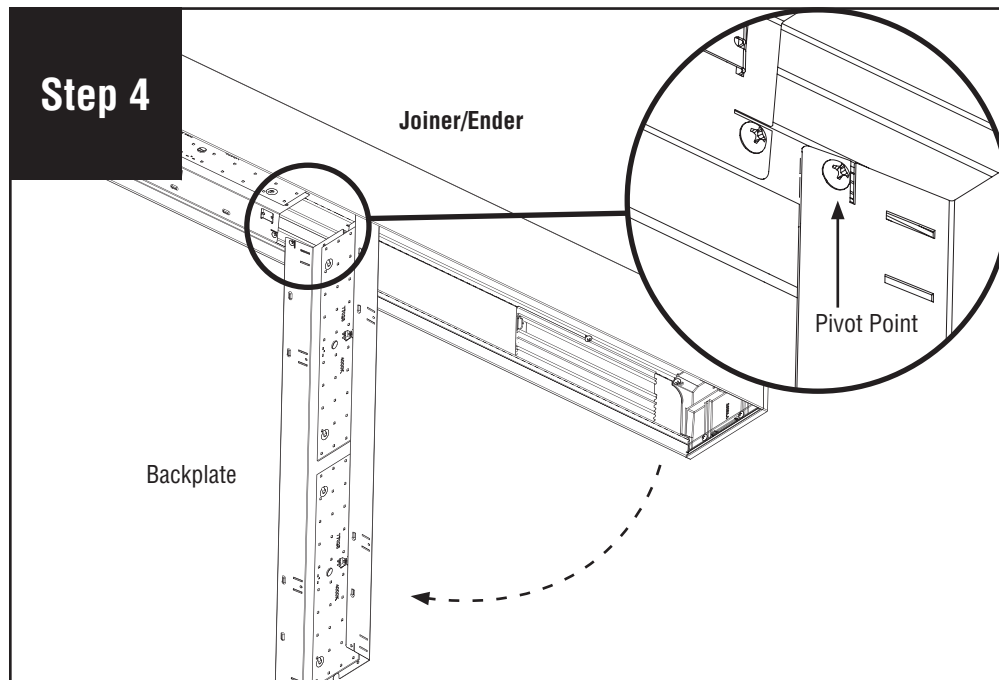
Use the chart above to determine the correct mounting and installation points for caddy clips. Secure to structure using tie-wire (by others) according to code.

Step 3



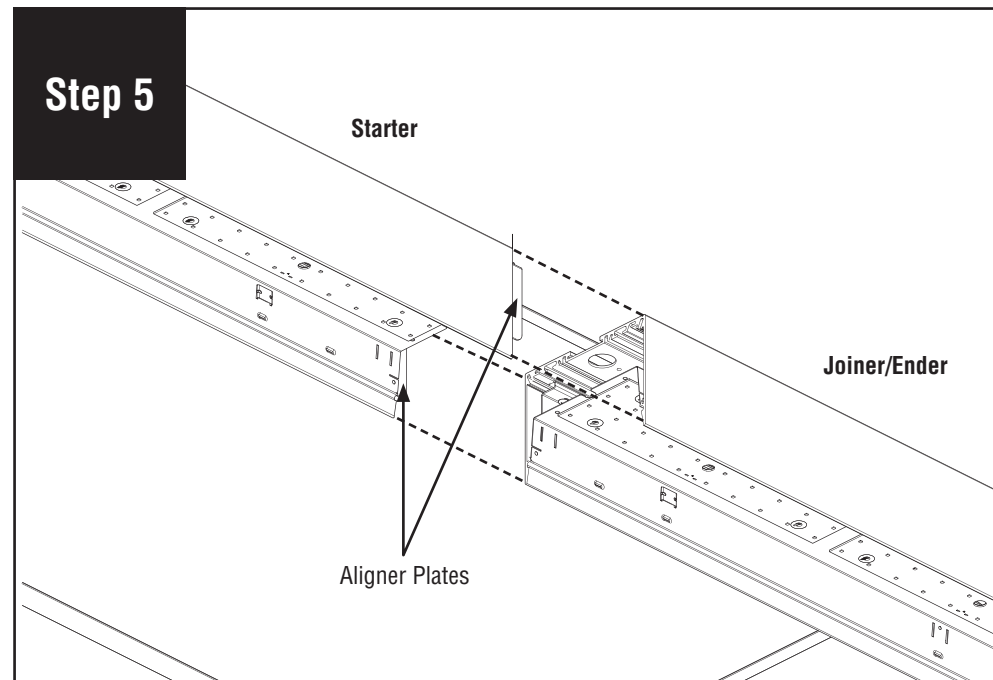
Remove backplate clips to release the backplate. We recommend using a flat head screwdriver to get them loose. **CAUTION: Do not lose these pieces.**

Step 4



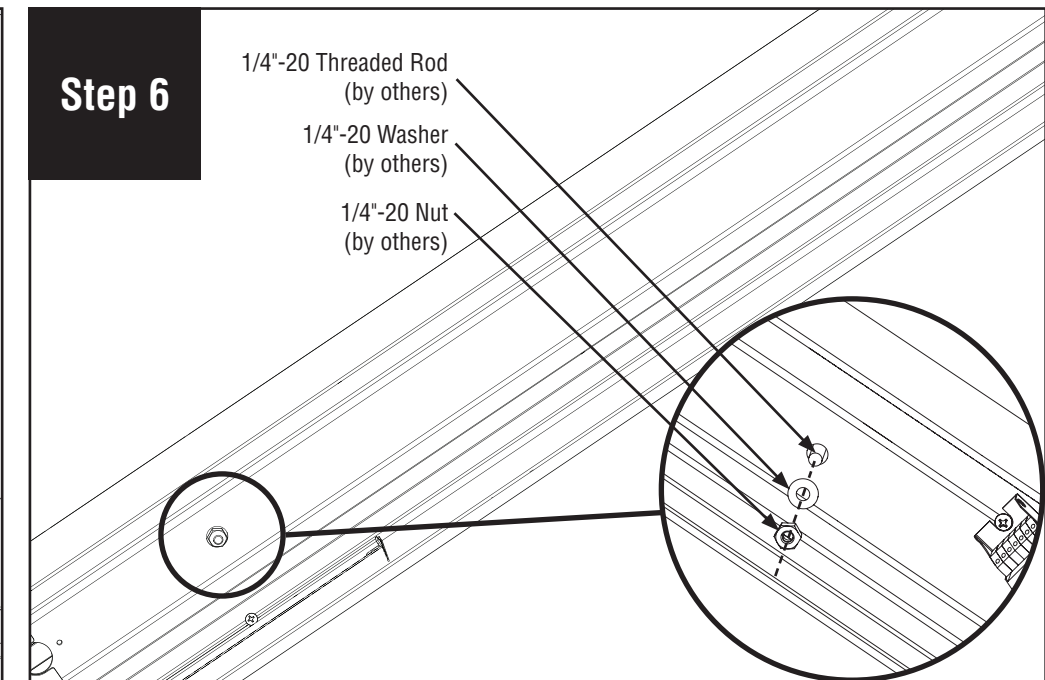
Slowly swing down backplates. **CAUTION: Do not twist the backplate when swinging down – it will come out of the support extrusion.** Note that the screws shown are the pivot point, and the backplate can be slid a few inches either way for ease of access to the driver space.

Step 5



Use the aligner plates at the joint to slide the joiner/ender onto the starter luminaire.

Step 6

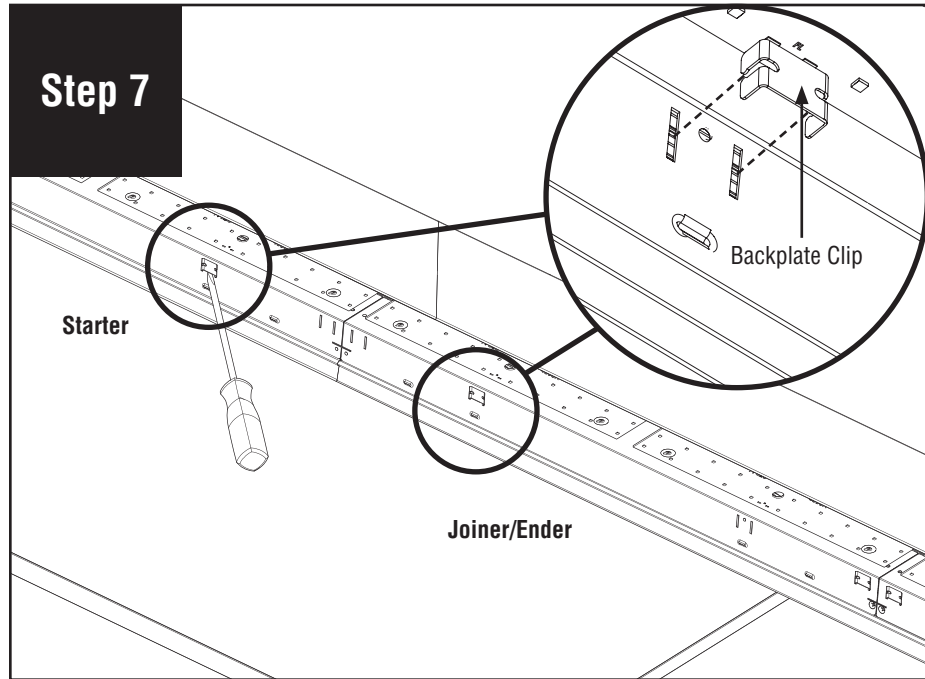


Install 1/4" washers (by others) and 1/4"-20 nuts (by others) onto 1/4"-20 threaded rod (by others) at the end of the luminaire.

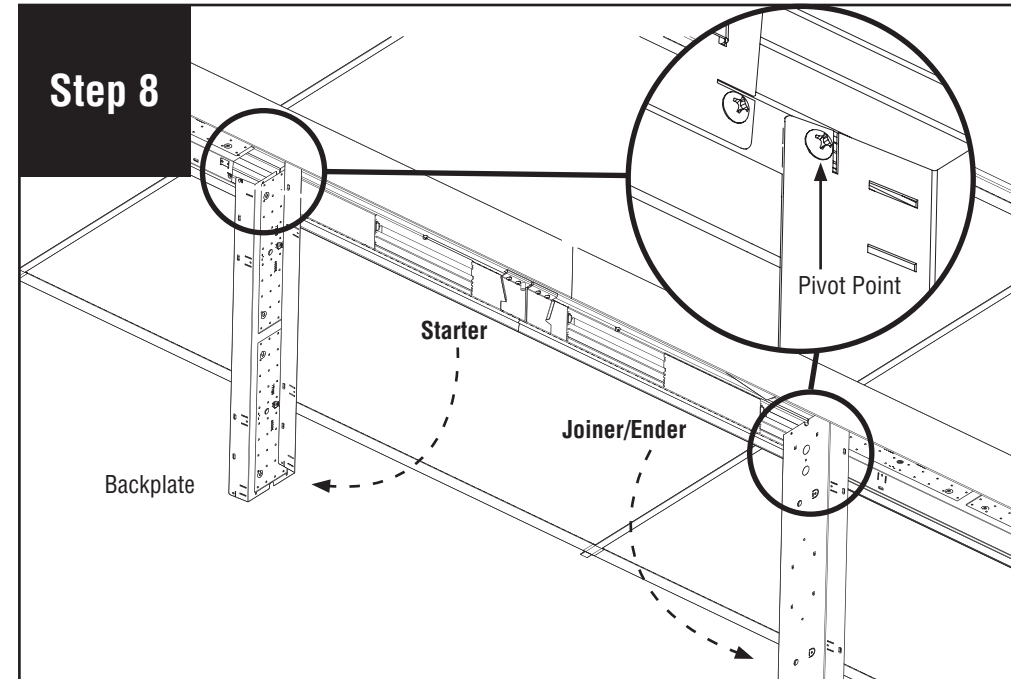
Note: All power connections to be installed to local/national codes by a Certified Electrician.

HP-6 Flush Diffuser Surface Mount 1" T-Bar Joiner/Ender

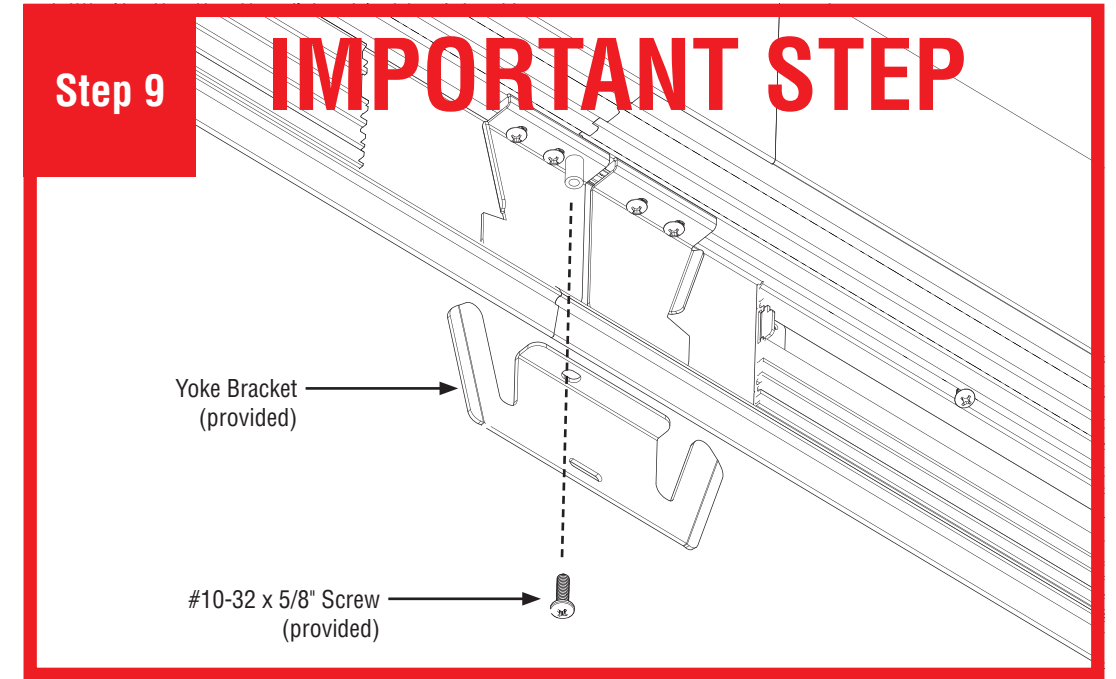
Installation Instructions



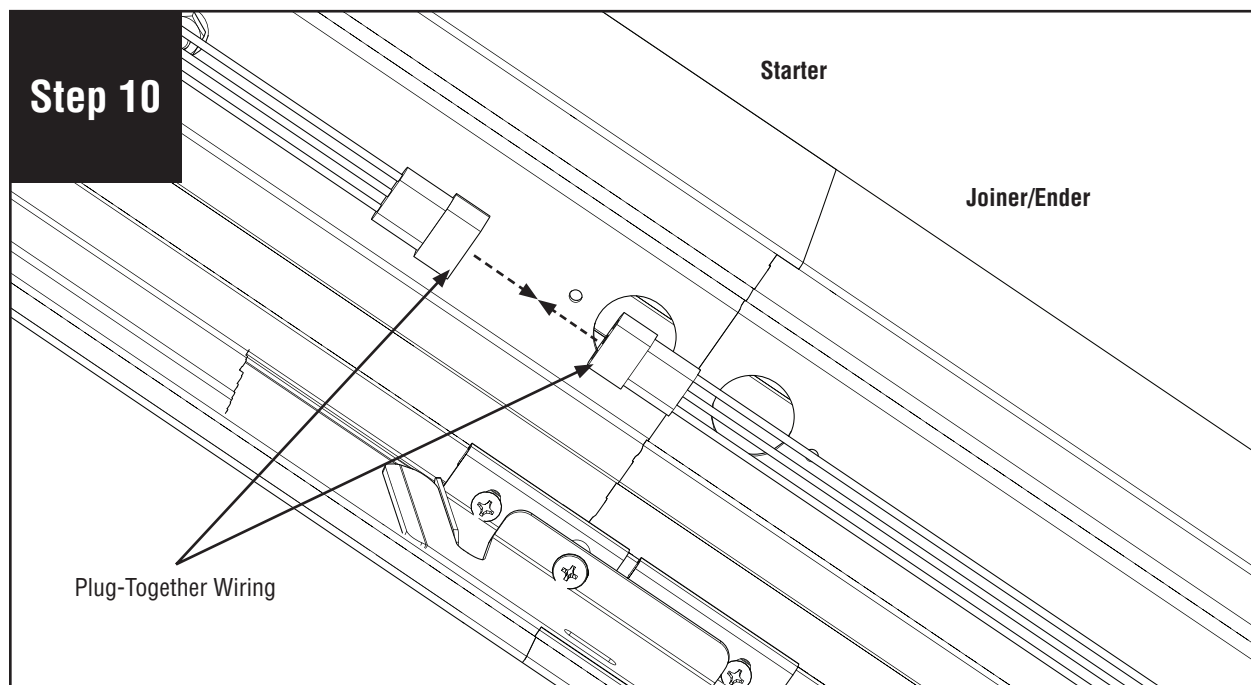
Remove backplate clips to release the backplates adjacent to the joint. We recommend using a flat head screwdriver to get them loose. **CAUTION: Do not lose these pieces.**



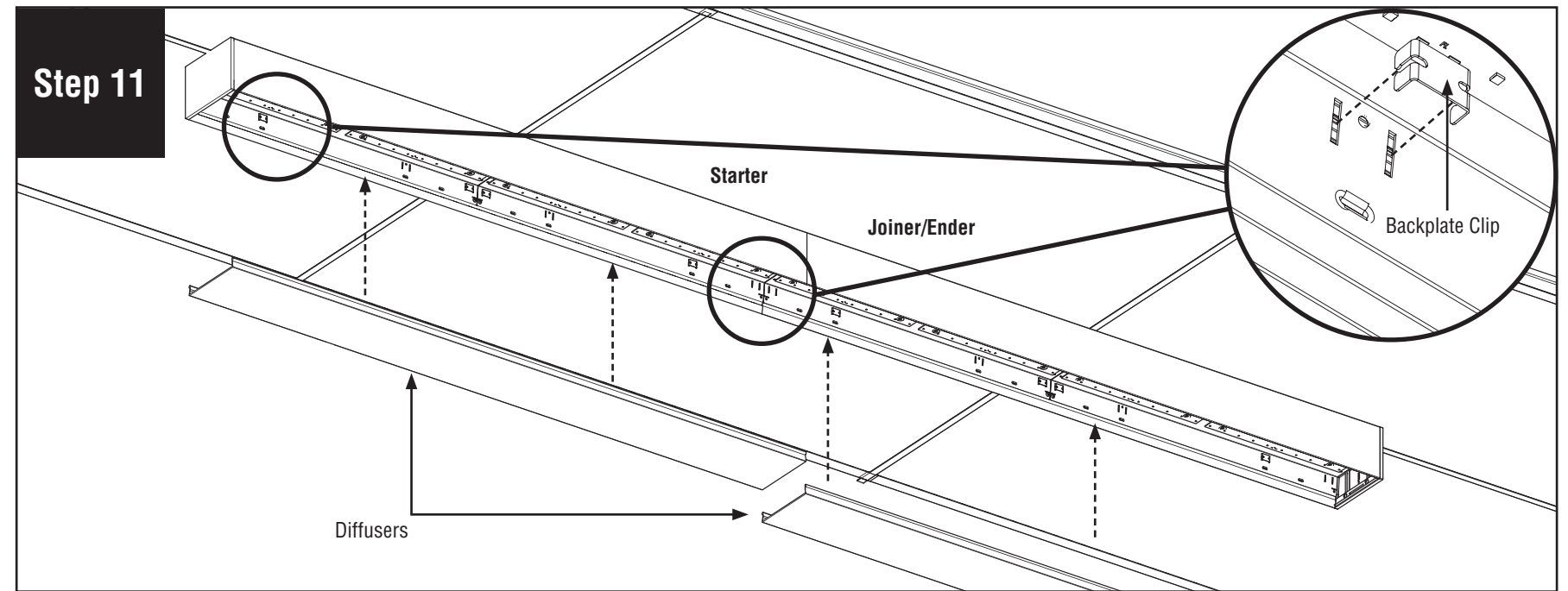
Slowly swing down backplates. **CAUTION: Do not twist the backplate when swinging down – it will come out of the support extrusion.** Note that the screws shown are the pivot point, and the backplate can be slid a few inches either way for ease of access to the driver space.



IMPORTANT STEP: Secure joint with two yoke brackets (provided) using two #10-32 x 5/8" screws (provided). When installed correctly these brackets will pull luminaires together to make a tight joint. **CAUTION: Do not over-tighten.**



Connect plug-together wiring.



Replace all backplates by holding them in their original position and pushing the clips back in. Make sure wire connections are not pinched. (If a 1ft. back plate assembly is near joint, reconnect feed harness to LED board.) Replace diffuser and turn power on to luminaire. **NOTE:** If part of a longer run, diffuser will be reinstalled back into original luminaire section as lengths vary.

Note: All power connections to be installed to local/national codes by a Certified Electrician.