

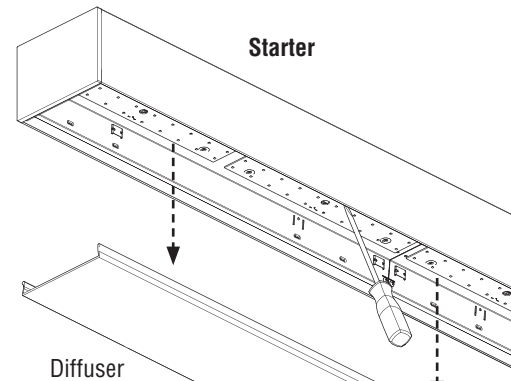
# HP-6 Flush Diffuser Surface Mount Drywall Starter/Independent Installation Instructions

Scan QR code for helpful video(s)



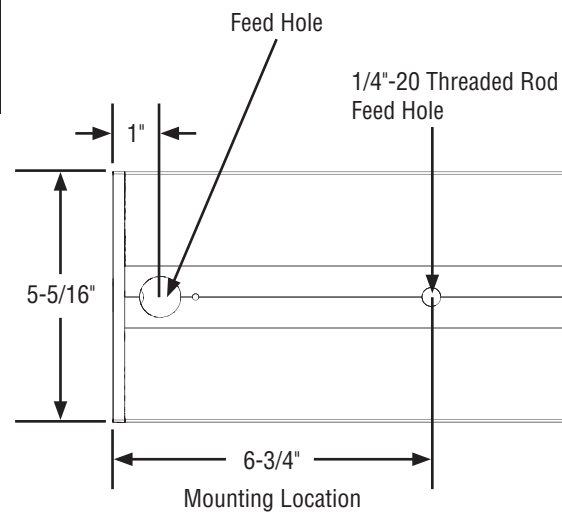
0 - 10V Dimming

## Step 1



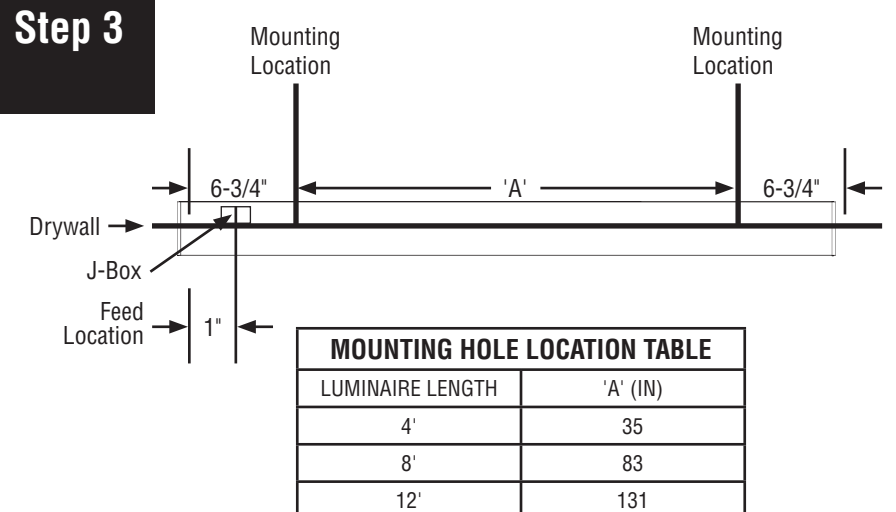
Remove diffuser and set aside to prevent it from getting dirty or damaged. **NOTE:** If part of a longer run, diffuser will be reinstalled back into original luminaire section as lengths vary.

## Step 2



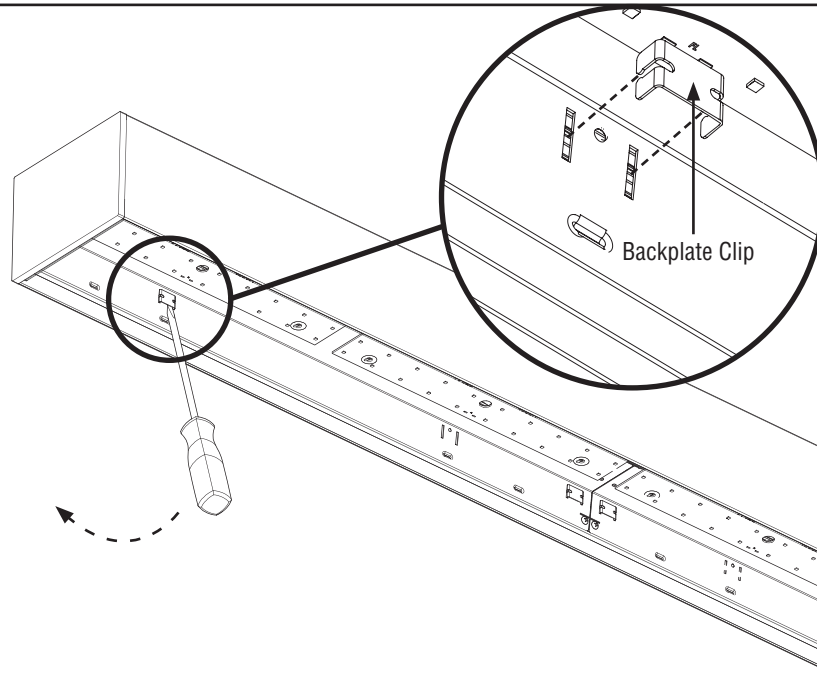
Note new feed hole on luminaire as indicated above.

## Step 3



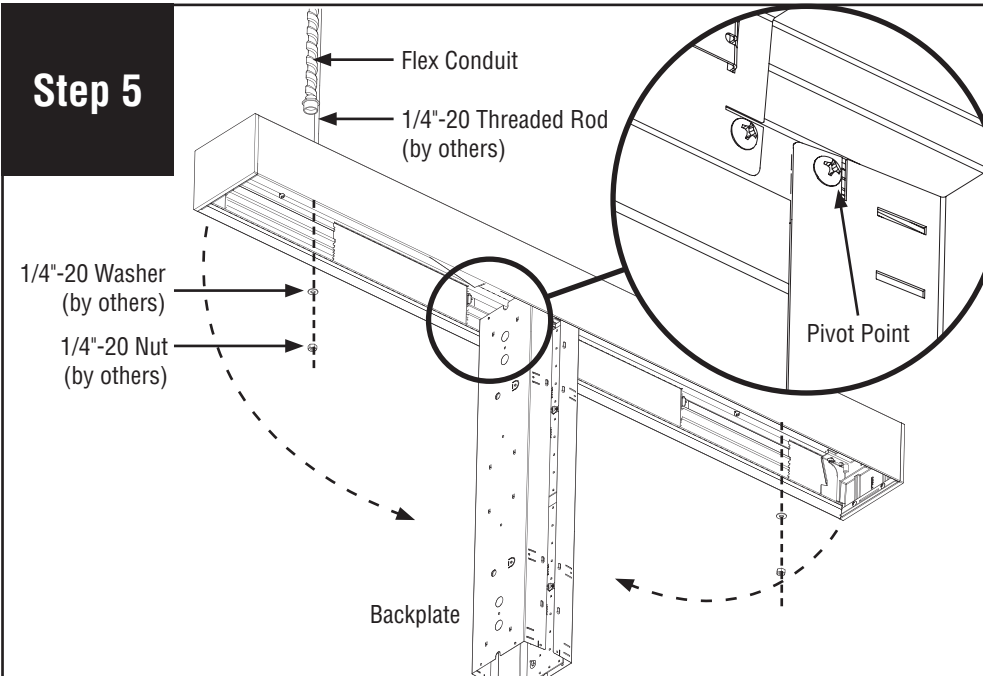
Use the chart above to determine the correct mounting points. Provide structural blocking at each mounting location (by others).

## Step 4



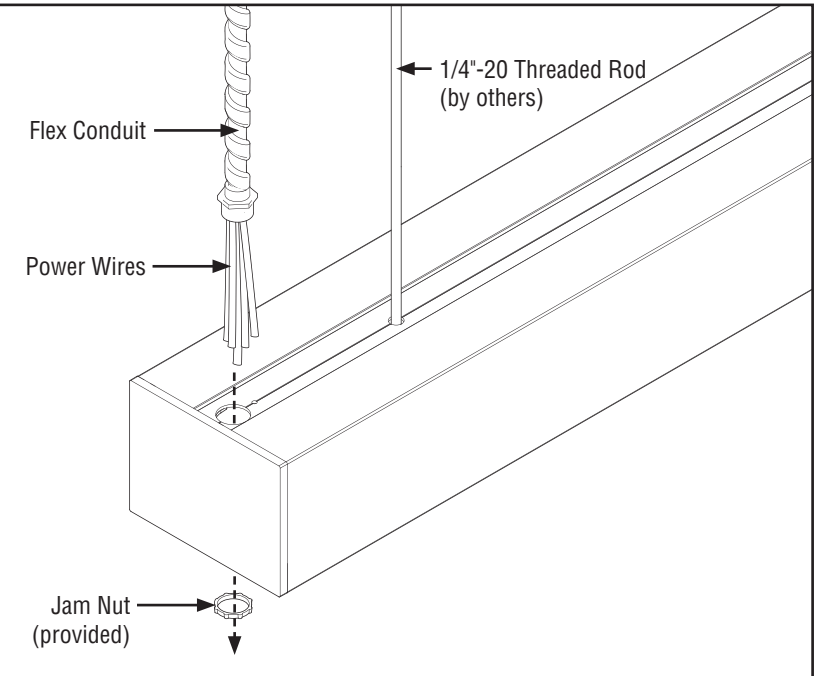
Remove backplate clips to release the backplate. We recommend using a flat head screwdriver to get them loose. **CAUTION: Do not lose these pieces.**

## Step 5



Slowly swing down backplates. **CAUTION: Do not twist the backplate when swinging down – it will come out of the support extrusion.** Note that the screws shown are the pivot point, and the backplate can be slid a few inches either way for ease of access to the driver space.

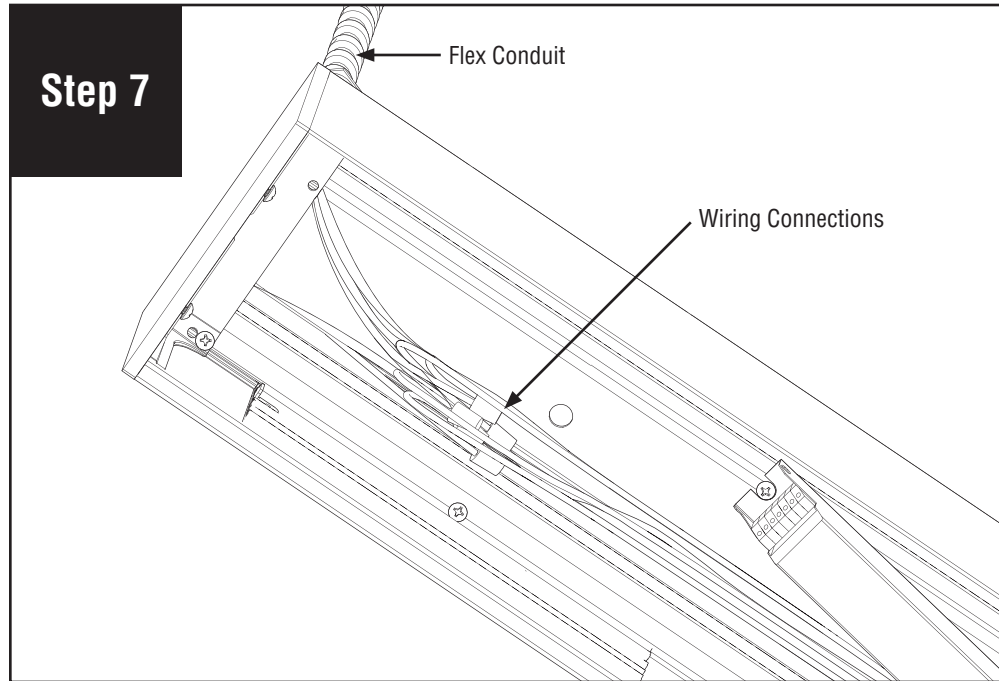
## Step 6



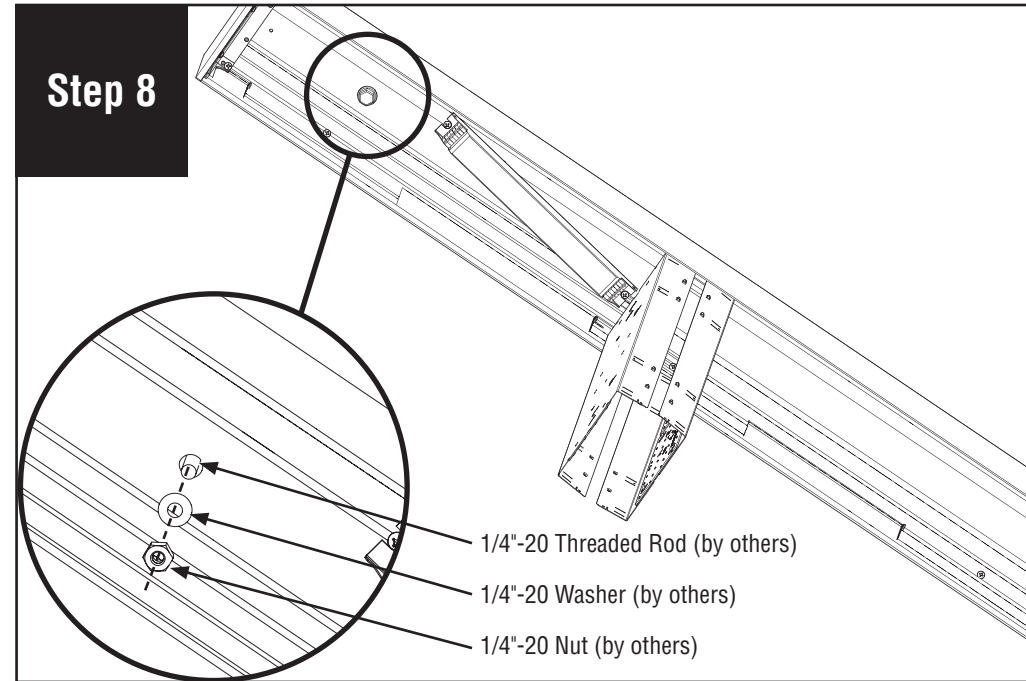
Insert wires through jam nut and install jam nut onto conduit connector.

**Note:** All power connections to be installed to local/national codes by a Certified Electrician.

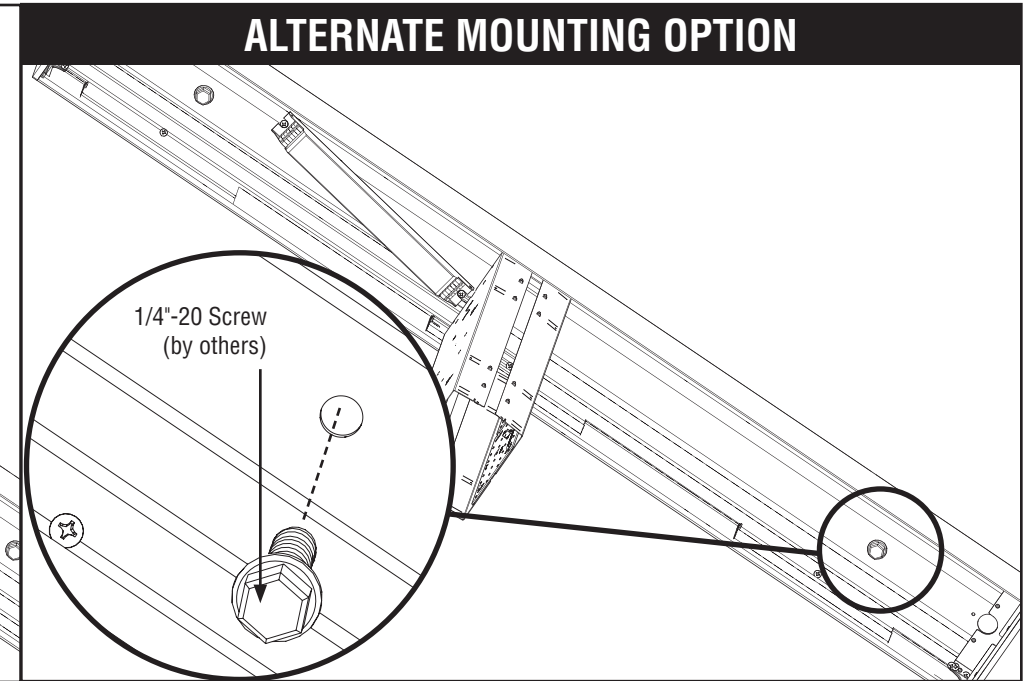
# HP-6 Flush Diffuser Surface Mount Drywall Starter/Independent Installation Instructions



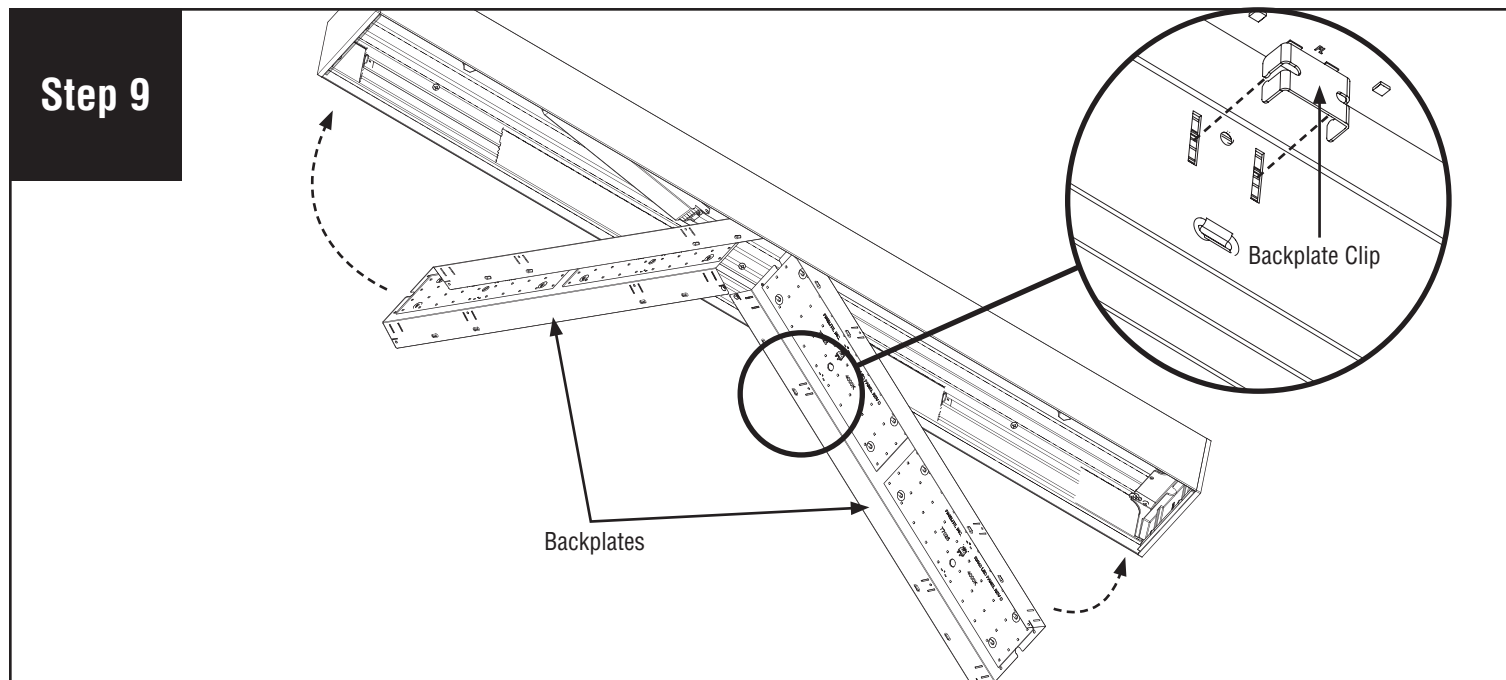
Make wiring connections.



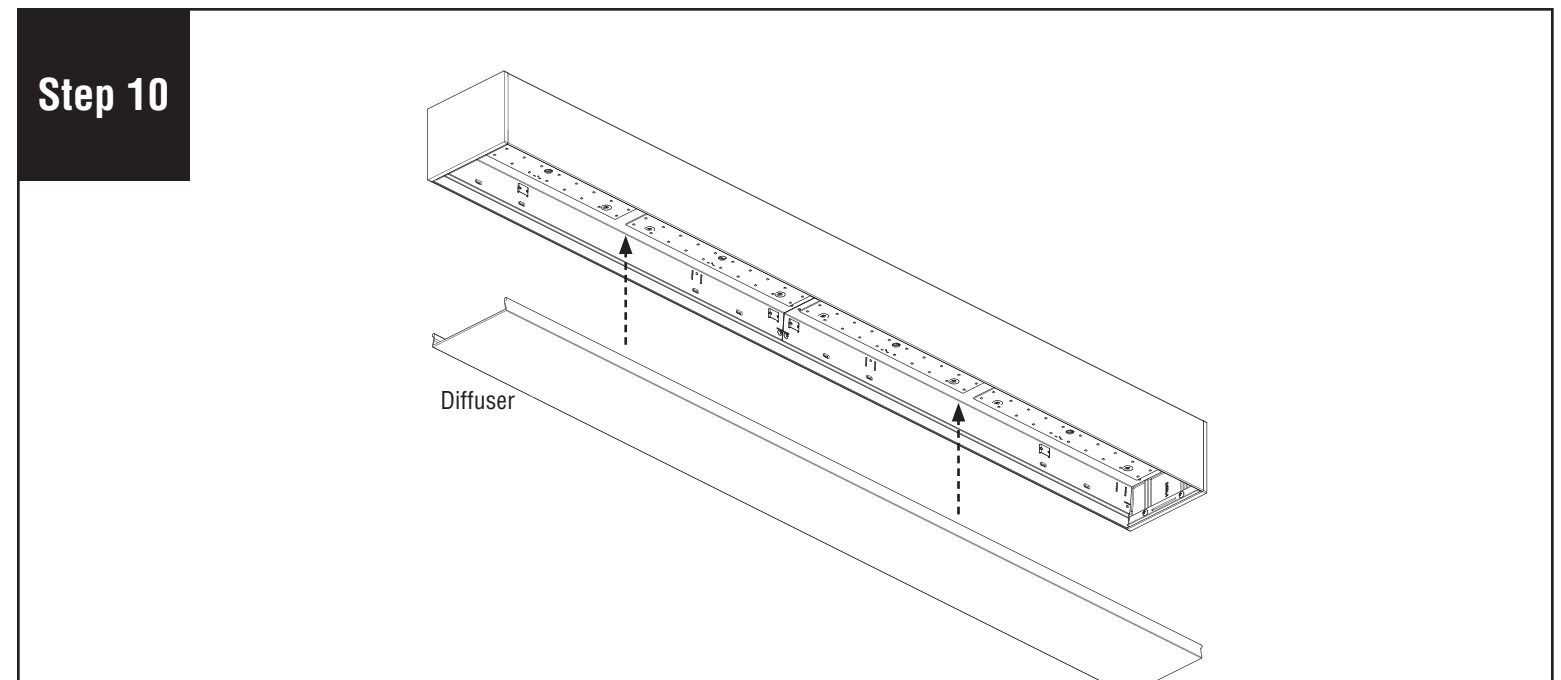
Install 1/4" washers (by others) and 1/4"-20 nuts (by others) onto 1/4"-20 threaded rod (by others).



**ALTERNATE MOUNTING OPTION** – Install 1/4"-20 screw (by others) through mounting hole into proper structural support blocking (by others).



Replace backplates by holding them in their original position and pushing the clips back in. Make sure wire connections are not pinched. (If a 1ft. backplate assembly is near joint, reconnect feed harness to LED board.)



Reinstall diffuser and turn power on to luminaire. **NOTE:** If part of a longer run, reinstall diffuser back into the original luminaire section as lengths vary.

**Note:** All power connections to be installed to local/national codes by a Certified Electrician.

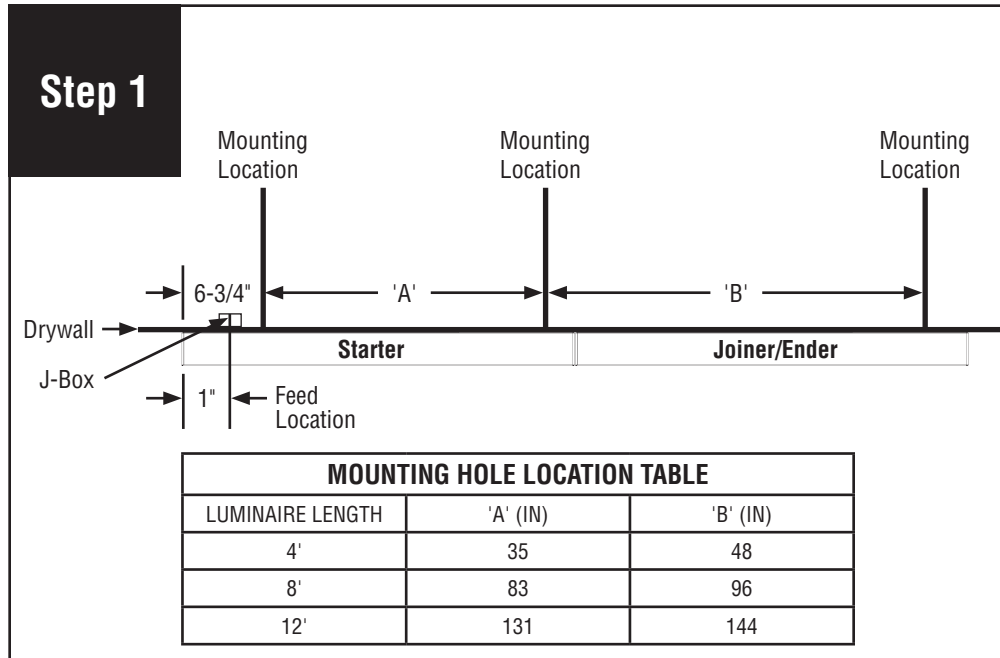
# HP-6 Flush Diffuser Surface Mount Drywall Joiner/Ender

## Installation Instructions

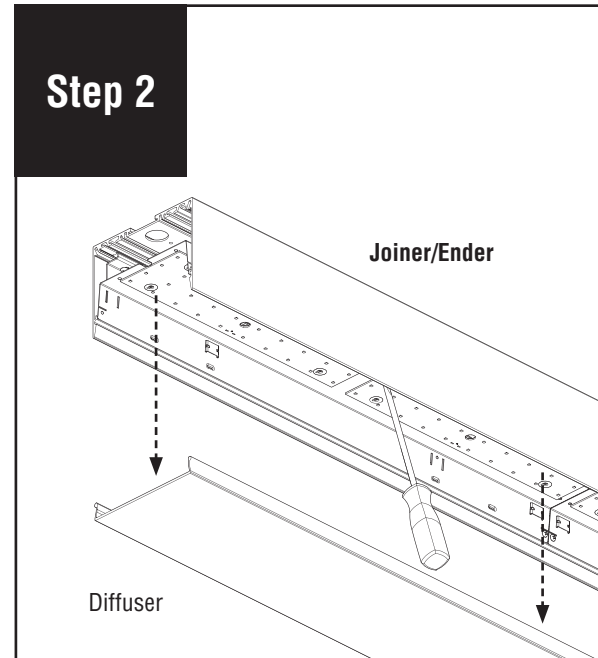
Scan QR code for helpful video(s)



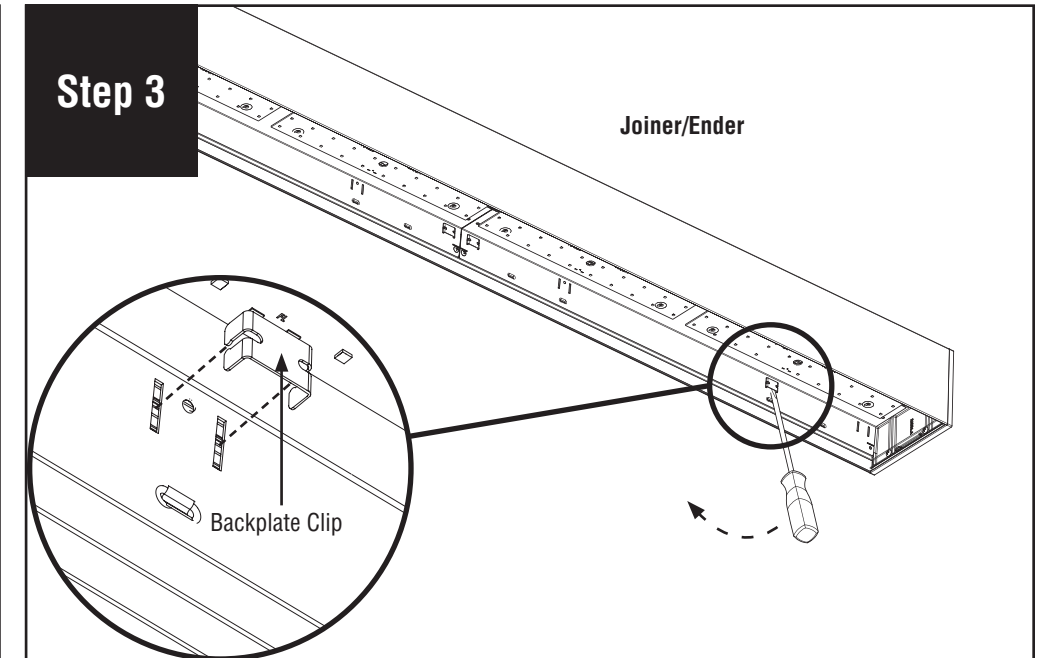
0 - 10V Dimming



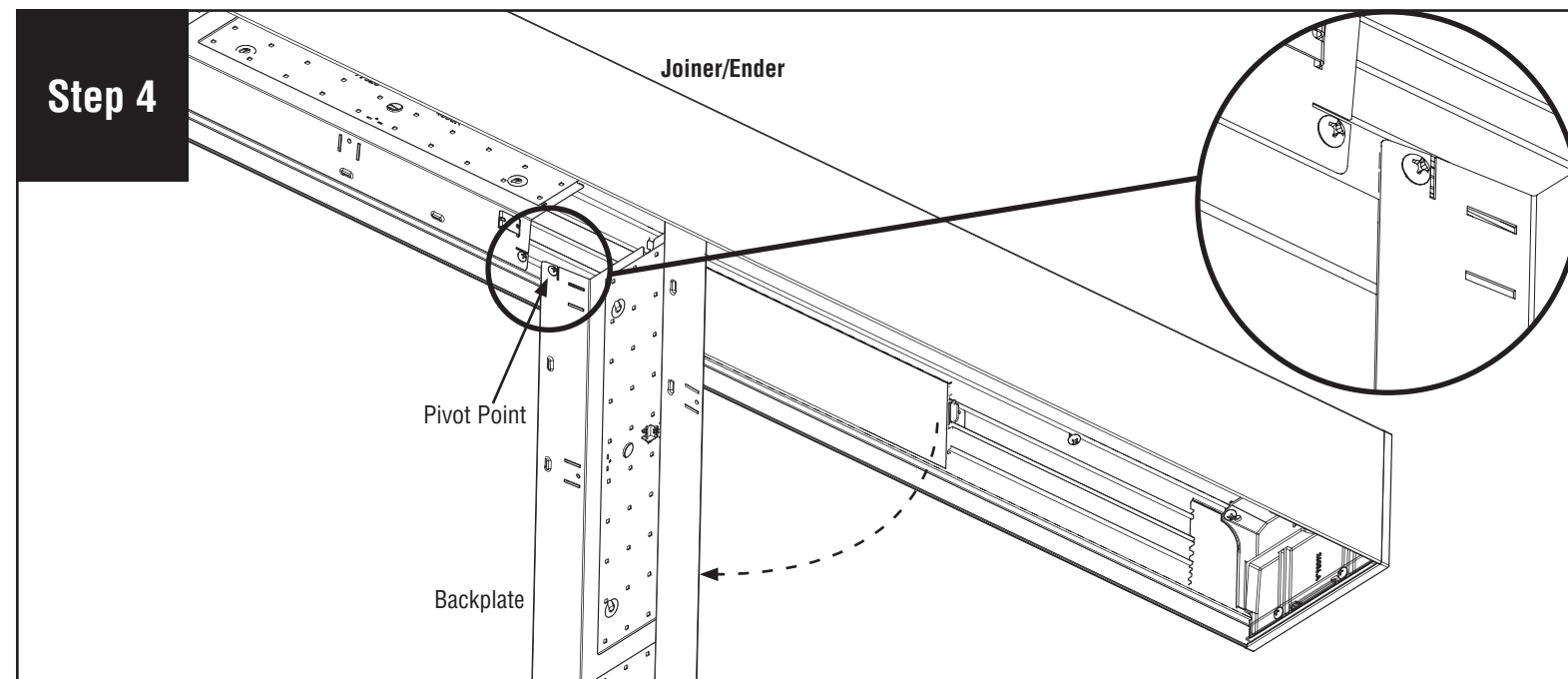
Use the chart above to determine the correct mounting points. Secure luminaire to structural support blocking (by others) according to code.



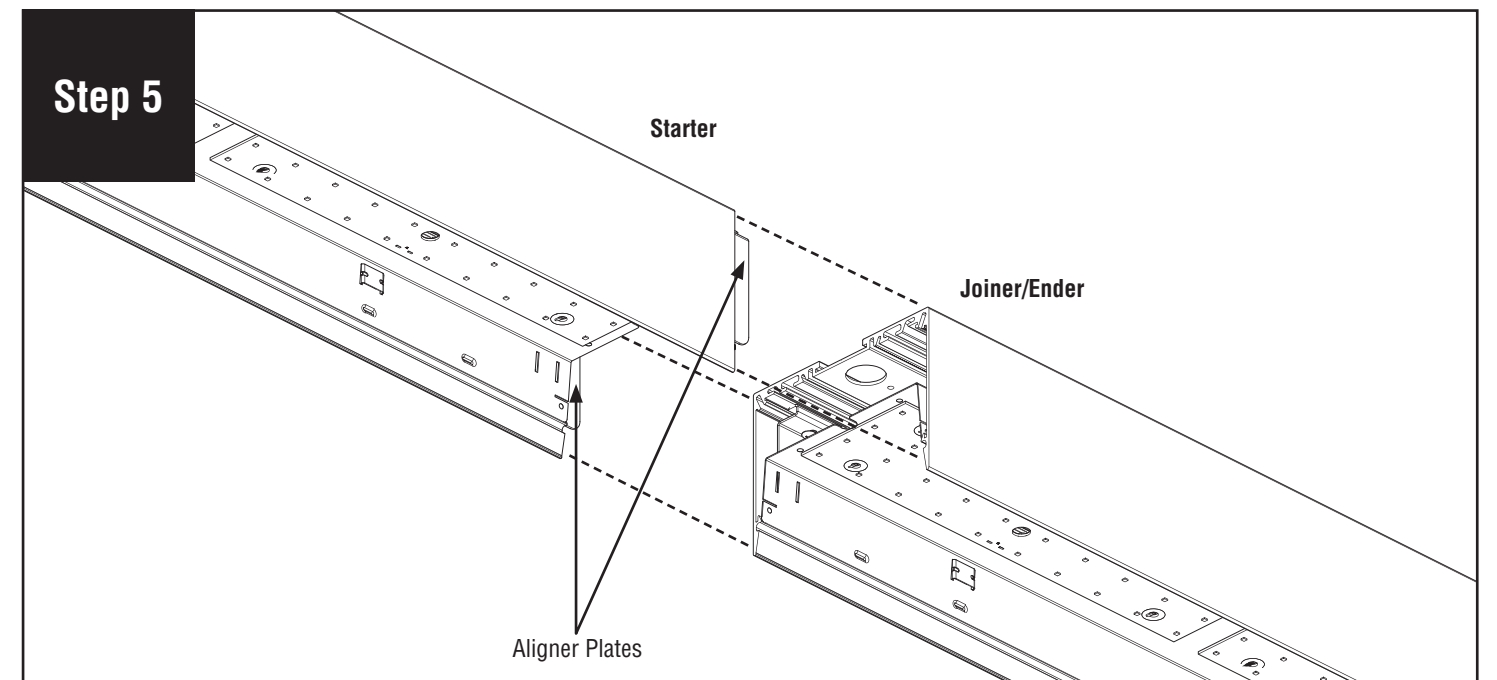
Remove diffusers and set aside to prevent it from getting dirty or damaged. **NOTE:** If part of a longer run, diffuser will be reinstalled back into original luminaire section as lengths vary.



Remove backplate clips to release the backplate. We recommend using a flat head screwdriver to get them loose. **CAUTION: Do not lose these pieces.**



Slowly swing down backplate. **CAUTION: Do not twist the backplate when swinging down – it will come out of the support extrusion.** Note that the screws shown are the pivot point, and the backplate can be slid a few inches either way for ease of access to the driver space.

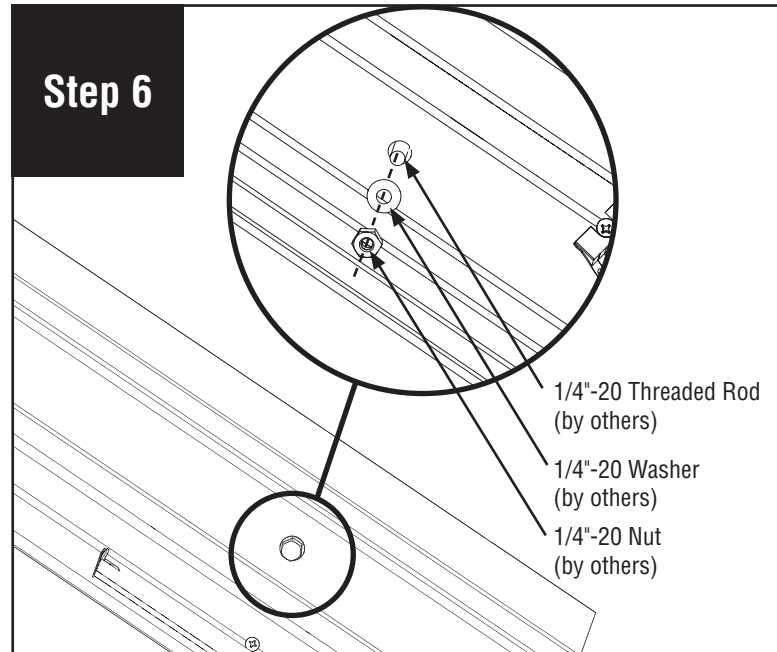


Use the aligner plates at the joint to slide the joiner/ender onto the starter luminaire.

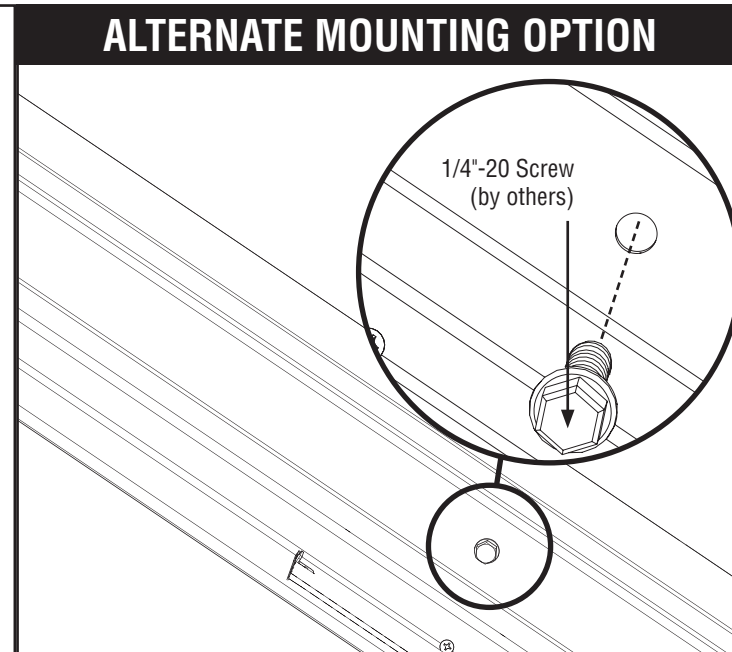
**Note:** All power connections to be installed to local/national codes by a Certified Electrician.

# HP-6 Flush Diffuser Surface Mount Drywall Joiner/Ender

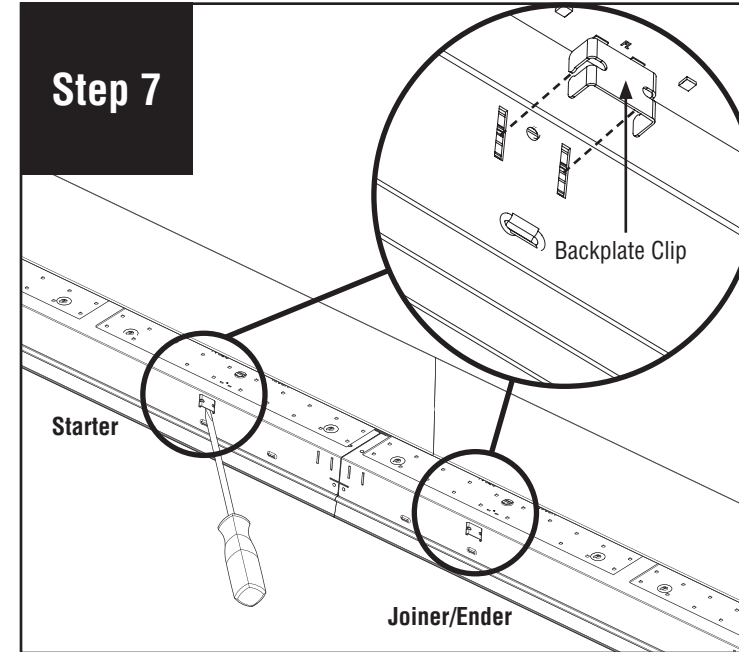
## Installation Instructions



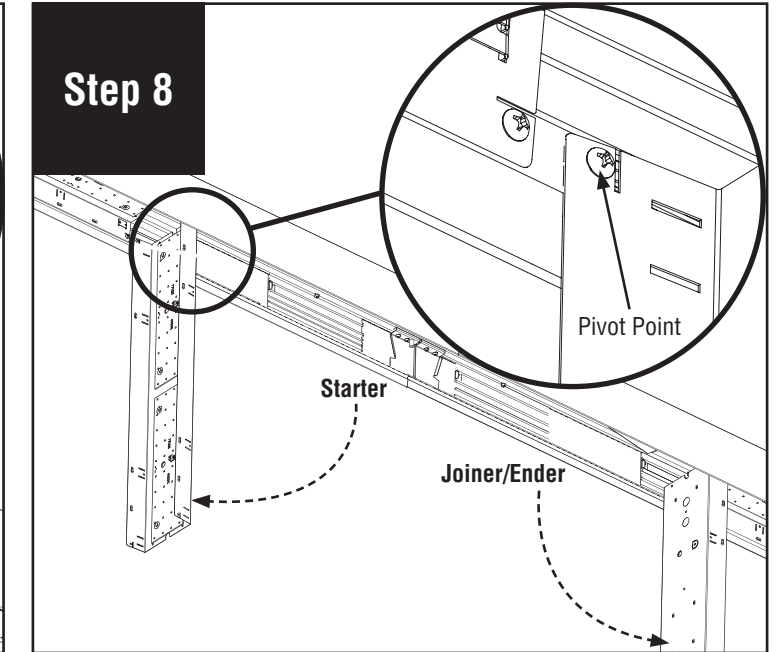
Install 1/4"-20 washers (by others) and 1/4"-20 nuts (by others) onto 1/4"-20 threaded rod (by others).



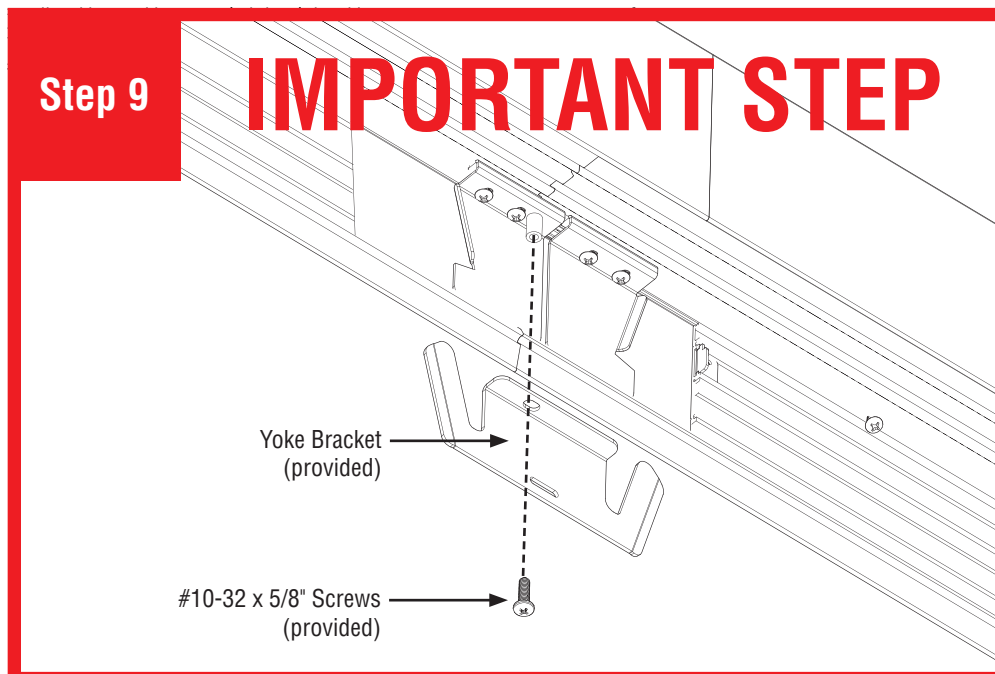
**ALTERNATE MOUNTING OPTION** – Install 1/4"-20 screw (by others) through mounting hole into proper structural support blocking (by others).



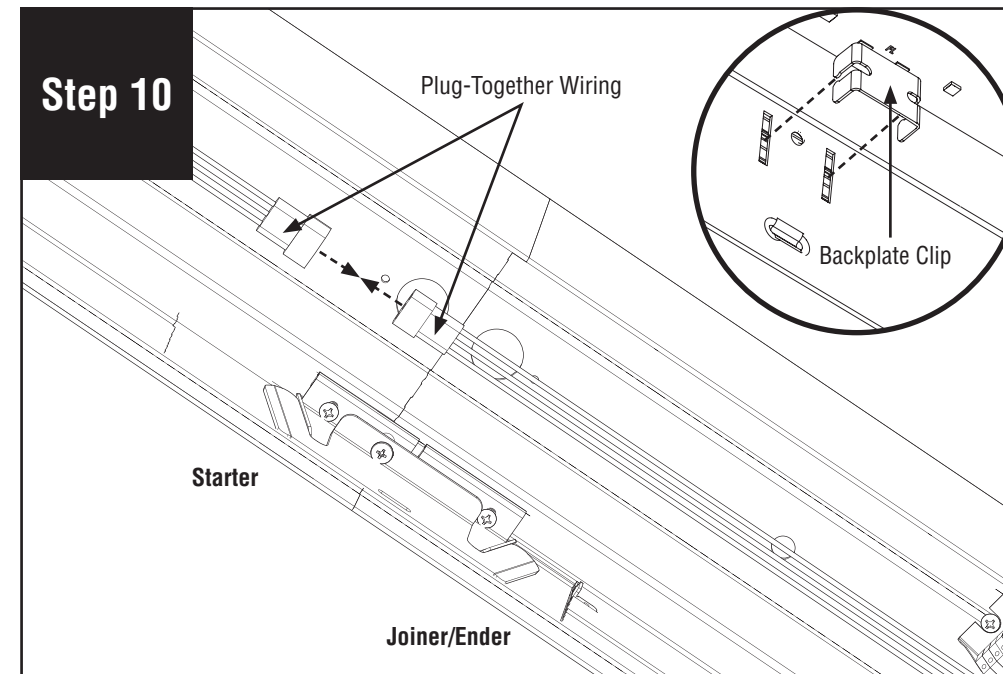
Remove backplate clips to release the backplates adjacent to the joint. We recommend using a flat head screwdriver to get them loose. **CAUTION: Do not lose these pieces.**



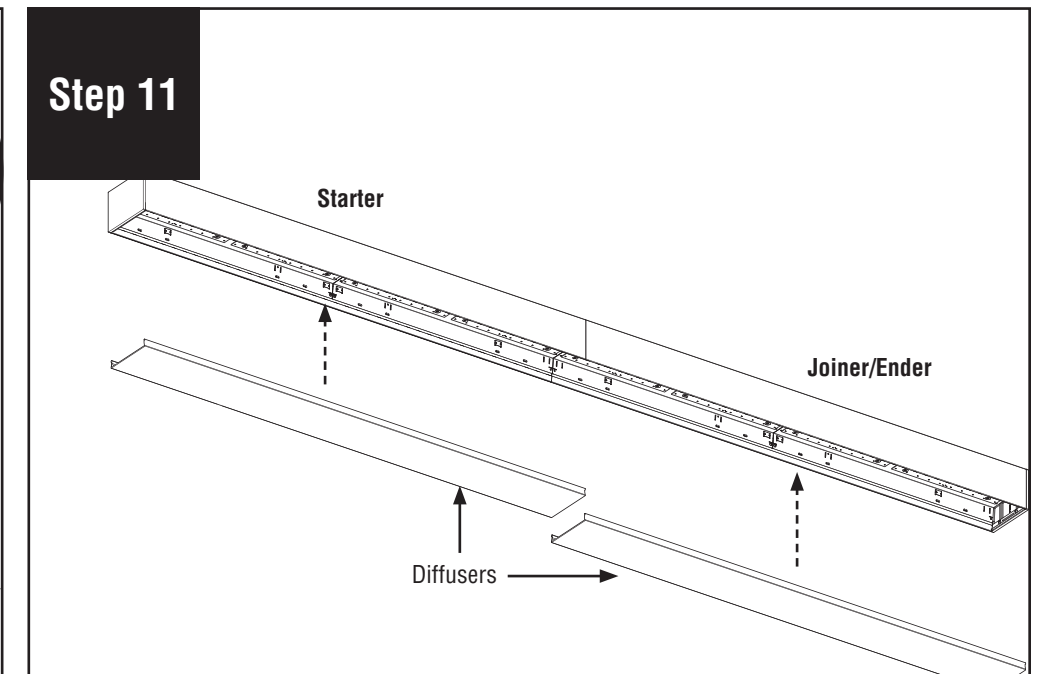
Slowly swing down backplates. **CAUTION: Do not twist the backplate when swinging down – it will come out of the support extrusion.** Note that the screws shown are the pivot point, and the backplate can be slid a few inches either way for ease of access to the driver space.



**IMPORTANT STEP:** Secure joint with two yoke brackets (provided) using two #10-32 x 5/8" screws (provided). When installed correctly these brackets will pull luminaires together to make a tight joint. **CAUTION: Do not over-tighten.**



Connect plug-together wiring. Replace all backplates by holding them in their original position and pushing the clips back in. Make sure wire connections are not pinched. (If a 1ft. backplate assembly is near joint, reconnect feed harness to LED board.)



Replace diffuser and turn power on to luminaire. **NOTE:** If part of a longer run, diffuser will be reinstalled back into original luminaire section as lengths vary.

**Note:** All power connections to be installed to local/national codes by a Certified Electrician.