

FINELITE[®]
Better Lighting

RAL Color 4010 shown

HP-3

Indirect/Direct

Sweet Spot for Your Project



Declare.



A brand of **legrand**



HP-3

Designed with an advanced optical system and utilizing mid-power LEDs, the HP-3 delivers exceptional performance that surpasses industry standards. Its Widespread and Asymmetric Optic options create a balanced blend of ambient and task lighting, ensuring a comfortable and productive environment tailored to your design needs. Choose from 179 RAL color options for your project.

Tailored Output

- Static White options: Standard (**S**), Boosted Standard (**B**), High (**H**), and Very High (**V**)

Tailored Color

- Static White options at 3000K, 3500K and 4000K CCT
- 80+ and 90+ CRI options available

Tailored Control

- Dimming from 100% to 10%, standard; 1% available
- Industry-leading pre-qualified drivers and controls options available
- Integrated or networked daylight and occupancy sensors options available

HP-3 Indirect/Direct

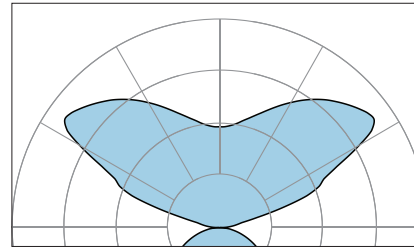
HP-3 ID is an affordable indirect/direct linear LED luminaire. Advanced optical design delivers uniform, continuous lines of light.



Finelite Black Finish Shown

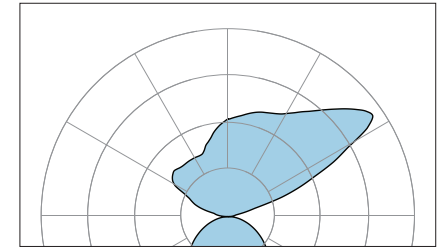
OPTIC OPTIONS

Widespread Optic (WSO)



Uplight WSO distribution allows luminaires to be spaced farther apart with improved ceiling uniformity.

Asymmetric Optic (ASY)

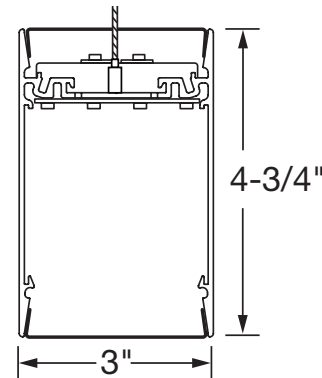


Uplight Asymmetric distribution provides better illumination for close to wall luminaires. Ideal for pendants and wall mount luminaires.

CROSS SECTIONS

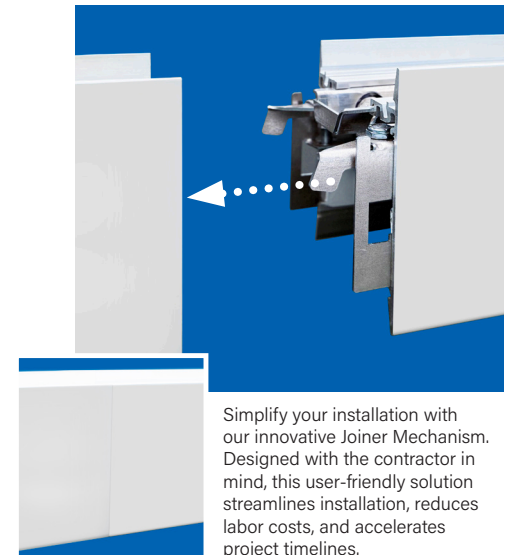
Indirect/Direct

Flush Uplight Diffuser
(standard)



Flush Downlight Diffuser
(standard)

NEW JOINER MECHANISM



Simplify your installation with our innovative Joiner Mechanism. Designed with the contractor in mind, this user-friendly solution streamlines installation, reduces labor costs, and accelerates project timelines.

Performance Data

HP3-P-ID-4'-V-V-835-F-F

Uplight: Flush / **Downlight:** Flush

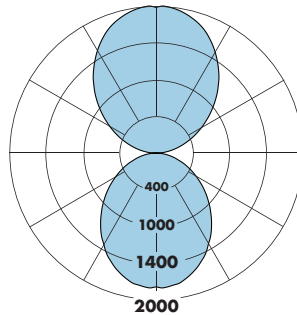
Distribution: 46% Up (V) / 54% Down (V)

Efficacy: 132 lm/W

Uplight: 4159 lumens (1040 lumens/foot)

Downlight: 4883 lumens (1221 lumens/foot)

Total luminaire output: 9042 lumens (2261lm/ft)
68.68 watts (171 W/ft)



CRI: 80 / CCT: 3500K

NLTL LM79 Report # REP-071124-09

	↑ Indirect		↓ Direct	
Light Output, 3500K, 80 CRI (Lumens Per Foot)				
	↑ S*	↑ B*	↑ H*	↑ V**
↓ S*	5023	5702	6127	7188
↓ B*	5605	6284	6709	7770
↓ H*	5970	6649	7074	8135
↓ V*	6880	7599	7984	9042

Efficacy, 3500K, 80 CRI (Lumens Per Watt)				
	↑ S*	↑ B*	↑ H*	↑ V**
↓ S*	131	133	133	135
↓ B*	130	131	132	133
↓ H*	130	131	131	133
↓ V*	129	130	130	132

S - Standard Output, B - Boosted Standard Output, H - High Output, V - Very High Output

* Family Correlation based on 4 ft. luminaire 3500K Very High Output (V) test - 120V

** Correlation based on NLTL LM79 Report # REP-112524-01

Note

- Please refer to technical sheet for total light output and wattage.



FINELITE[®]

Better Lighting



Ships in 10 working days
for standard orders



10-year performance-
based warranty



Tailored Lighting



Buy American Act
Compliance