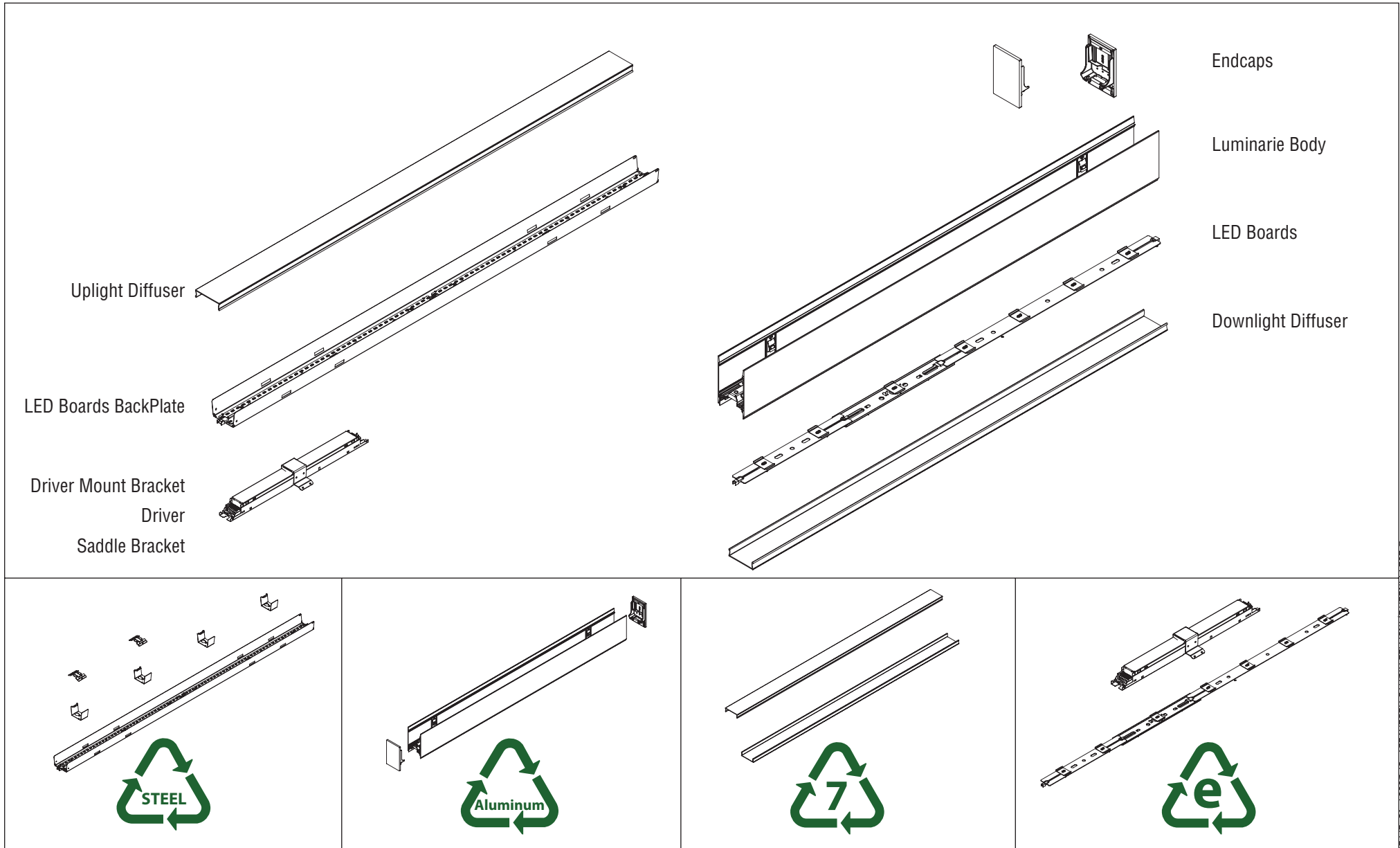


HP-3 Indirect Direct/Direct

HP-3 ID Recycling Luminaire Breakdown

Luminaire breaks down easily for recycling at the end of usable life*.



*Recycling information typical for all luminaire sizes. Contact factory for more information.

HP-3 Indirect Direct/Direct

HP-3 ID Recycling Luminaire Breakdown

100% Recyclable

HP-3 ID components are constructed from aluminum, steel, copper wire, e-waste, and plastic.
HP-3 ID is 100% recyclable at the end of useful life.

